



US00D817583S

(12) **United States Design Patent** (10) **Patent No.:** **US D817,583 S**  
**Reyes et al.** (45) **Date of Patent:** **\*\* May 8, 2018**

(54) **MOBILE BAR CART**

FOREIGN PATENT DOCUMENTS

(71) Applicant: **NewAge Products, Inc.**, Vaughan (CA)

CN 202932390 U 5/2013  
CN 203328249 U 12/2013

(72) Inventors: **Edward Reyes**, Toronto (CA); **Robert Vandenharm**, Toronto (CA); **Parag Shah**, Toronto (CA); **Frank Spano**, Toronto (CA)

OTHER PUBLICATIONS

Charlton Home "Bexton Kitchen Cart with Wood Top.", www.wayfair.com. Web. Oct. 30, 2017. shown in p. 1 of 1, Item CHLH1749.\*

(73) Assignee: **NEWAGE PRODUCTS, INC.**, Vaughan, Ontario (CA)

(Continued)

(\*\*) Term: **15 Years**

*Primary Examiner* — Cynthia Ramirez

*Assistant Examiner* — Gino Colan

(21) Appl. No.: **29/546,959**

(74) *Attorney, Agent, or Firm* — Howard & Howard Attorneys PLLC

(22) Filed: **Nov. 30, 2015**

(51) **LOC (11) Cl.** ..... **12-02**

(52) **U.S. Cl.**  
USPC ..... **D34/19**

(57) **CLAIM**

The ornamental design for a mobile bar cart, as shown and described.

(58) **Field of Classification Search**  
USPC ..... D34/12, 14, 16, 17, 19, 20, 21, 23, 25, D34/26; 280/651, 47.34, 47.19, 47.35, 280/47.17, 654; D6/702, 699.1, 699, D6/671.1, 671, 667, 662.1, 661, 657; D23/286; 312/30, 290, 265.6, 249.5, 312/140.2, 107, 245, 198, 242, 140.1  
CPC .. B62B 3/02; B62B 3/005; B62B 1/12; B62B 1/208; A47B 77/00  
See application file for complete search history.

**DESCRIPTION**

FIG. 1 is a perspective view of a mobile bar cart showing our design.

FIG. 2 is a front elevational view of the mobile bar cart of FIG. 1.

FIG. 3 is rear elevational view of the mobile bar cart of FIG. 1.

FIG. 4 is a left side elevational view of the mobile bar cart of FIG. 1.

FIG. 5 is a right side elevational view of the mobile bar cart of FIG. 1.

FIG. 6 is top plan view of the mobile bar cart of FIG. 1; and, FIG. 7 is a bottom plan view of the mobile bar cart of FIG. 1.

The broken lines shown in the figures are included for the purpose of illustrating portions of the mobile bar cart and form no part of the claimed design.

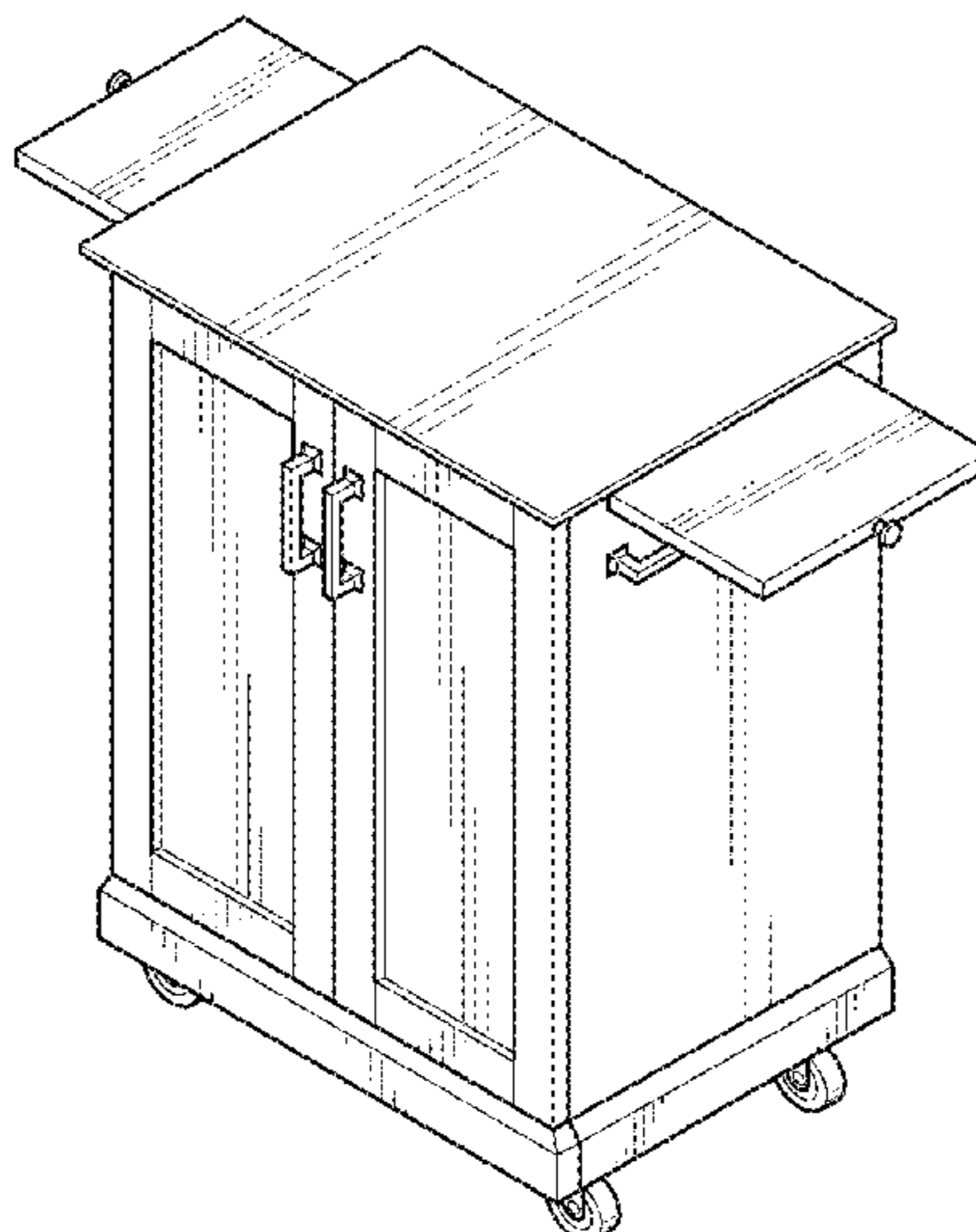
(56) **References Cited**

U.S. PATENT DOCUMENTS

1,527,531 A 2/1925 Topazzi  
2,449,433 A 9/1948 Wheelock  
2,521,765 A 9/1950 White  
2,725,274 A 11/1955 Stivale  
D203,200 S \* 12/1965 Klein et al. .... D34/20  
3,471,947 A 10/1969 Genser  
3,993,376 A 11/1976 Meldahl  
D245,619 S 8/1977 Robinson  
4,054,338 A 10/1977 Martin

(Continued)

**1 Claim, 3 Drawing Sheets**



(56)

References Cited

U.S. PATENT DOCUMENTS

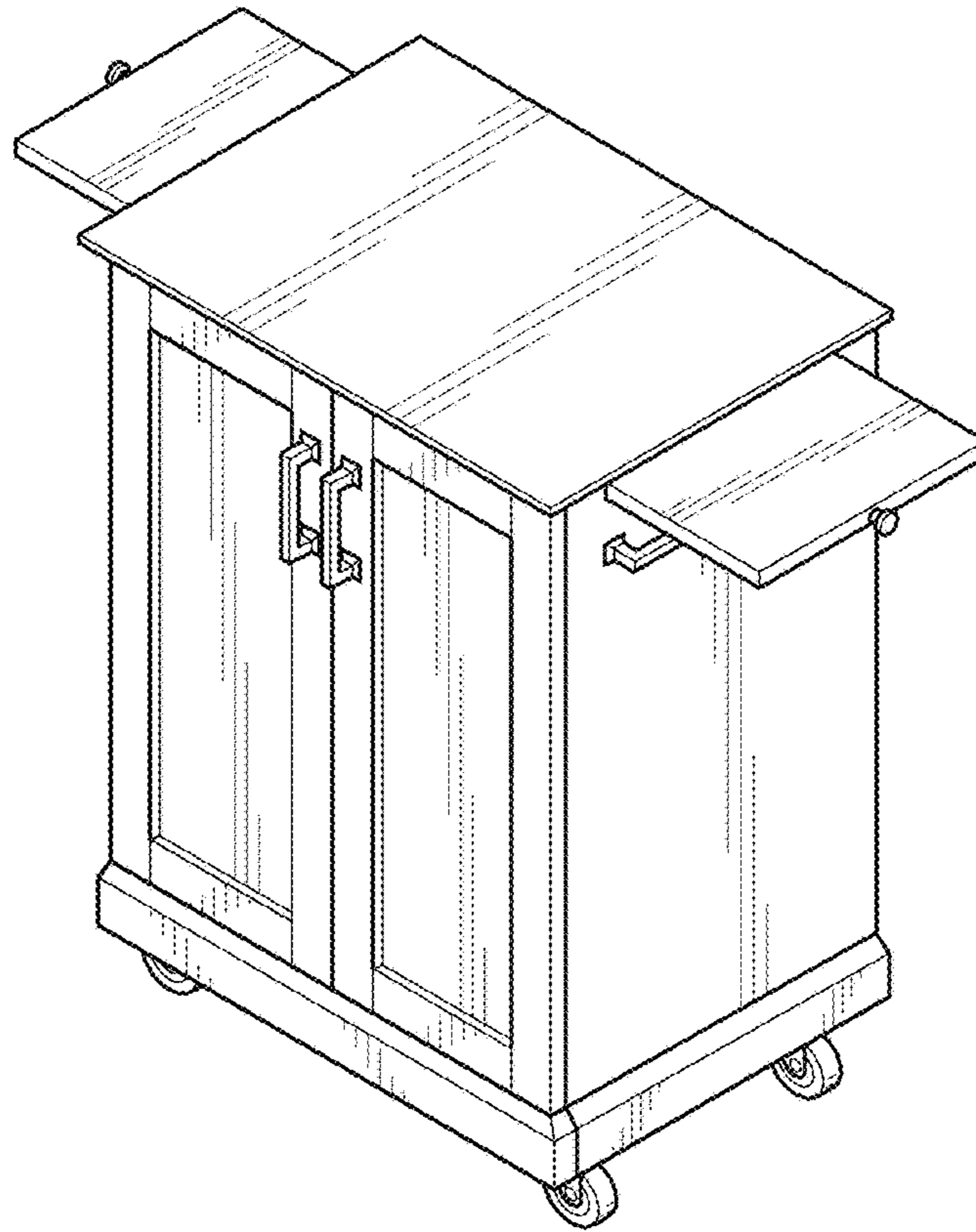
D258,478 S 3/1981 Zola  
 D276,565 S \* 11/1984 Cortina ..... D34/21  
 4,592,603 A 6/1986 Adams et al.  
 D315,071 S \* 3/1991 Miller ..... D34/19  
 D322,185 S 12/1991 McInnis  
 D331,334 S 12/1992 Hollington  
 5,184,886 A 2/1993 Handley et al.  
 D340,336 S \* 10/1993 Groenewege ..... D34/14  
 D347,341 S 5/1994 Handley et al.  
 D357,781 S \* 4/1995 Crinion ..... D34/17  
 D378,454 S 3/1997 Miller et al.  
 D386,917 S 12/1997 Blevio  
 5,873,643 A 2/1999 Burgess, Jr. et al.  
 D408,538 S 4/1999 Simpkins et al.  
 D440,427 S 4/2001 Melillo  
 D440,428 S 4/2001 Melillo  
 D446,408 S 8/2001 Mathieu et al.  
 D463,682 S 10/2002 Ma et al.  
 D491,744 S 6/2004 Harwanko  
 7,111,852 B2 9/2006 Woods et al.  
 7,207,636 B2 4/2007 Livingston et al.  
 D542,056 S 5/2007 Puente et al.  
 D554,897 S \* 11/2007 Mayer ..... D23/286  
 D558,483 S 1/2008 Bertch et al.  
 D562,597 S 2/2008 Weatherly  
 D586,585 S 2/2009 Hynes  
 D671,769 S 12/2012 Olson  
 D672,989 S 12/2012 McManic et al.

D677,074 S 3/2013 Olson  
 2002/0078865 A1 6/2002 Kuvshinikov  
 2014/0132129 A1 5/2014 Deneweth et al.

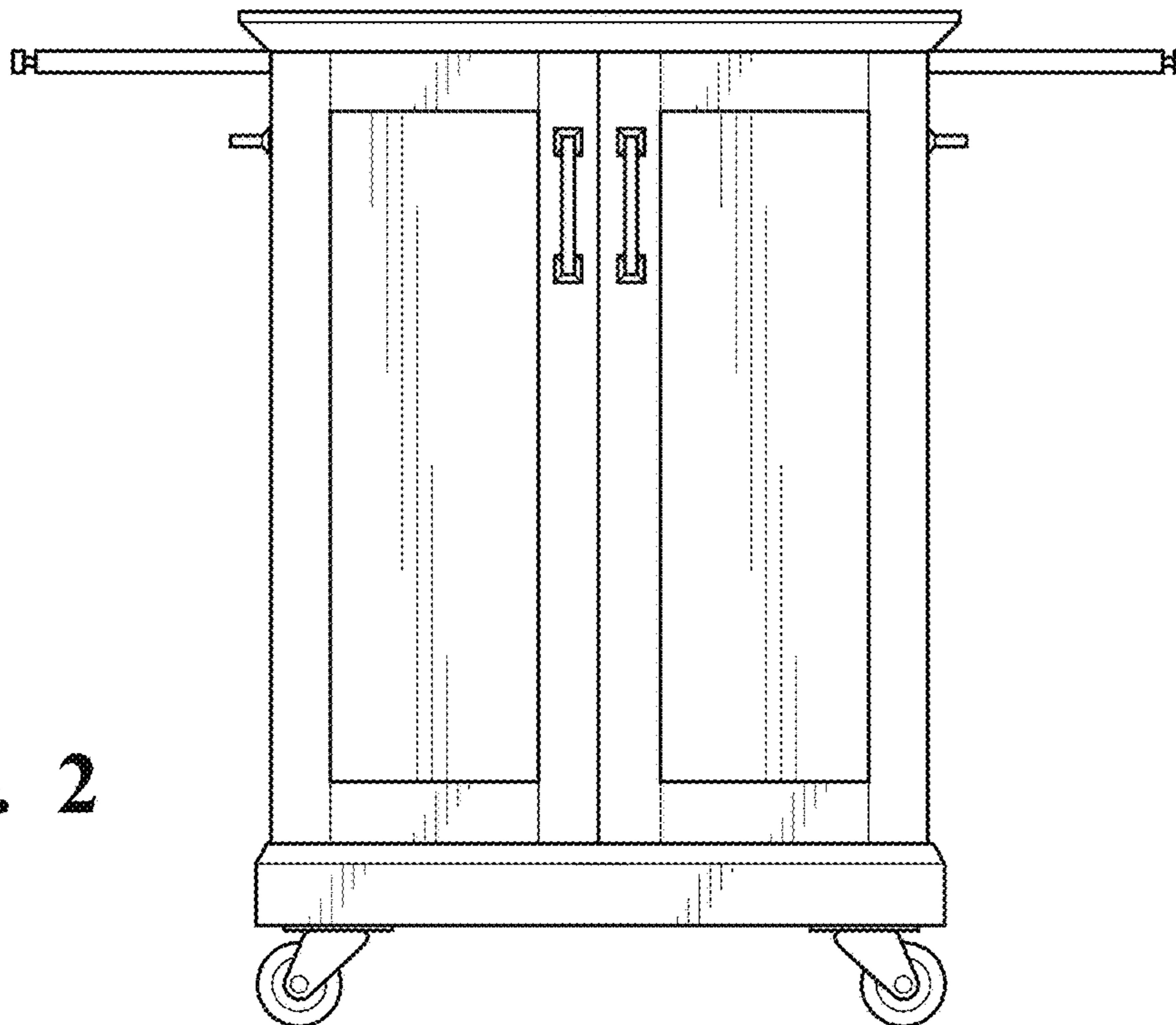
OTHER PUBLICATIONS

English language abstract for CN 202932390 extracted from espacenet.com database on Feb. 8, 2016, 1 page.  
 English language abstract and computer-generated English language translation for CN 203328249 extracted from espacenet.com database on Feb. 8, 2016, 5 pages.  
 Cabinet Pro Inc. Kitchen and Bath Remodeling, Image of Wine Kitchen Cabinet, [www.cabinet-pro.com/other\\_gallery.php](http://www.cabinet-pro.com/other_gallery.php), downloaded Dec. 12, 2014, 1 page.  
 Don's Custom Cabinets, Image of Wine Bar, [www.cabinetsman.com/bargallery.html](http://www.cabinetsman.com/bargallery.html), downloaded Dec. 12, 2014, 1 page.  
 Howard Miller, Image of Belle Isle Wine & Bar Cabinet, [www.familyleisure.com/wine-spirits-cabinets/belle-isle-wine-bar-cabinet](http://www.familyleisure.com/wine-spirits-cabinets/belle-isle-wine-bar-cabinet), downloaded Dec. 12, 2014, 1 page.  
 Idecorsz, Image of Modular Kitchen Cabinets, [www.idecorsz.com/modular-kitchen-modular-kitchen-cabinets-best-decorating.html](http://www.idecorsz.com/modular-kitchen-modular-kitchen-cabinets-best-decorating.html), downloaded Dec. 12, 2014, 1 page.  
 IkeaHackers, Image of Wine Cabinet, [www.ikeahackers.net/2013/04/bar-cabinet-from-wall-cabinets.html](http://www.ikeahackers.net/2013/04/bar-cabinet-from-wall-cabinets.html), downloaded Apr. 18, 2013, 1 page.  
 Imgarcade, Image of Wine Kitchen Cabinet, [www.imgarcade.com/1/wine-kitchen-cabinet/](http://www.imgarcade.com/1/wine-kitchen-cabinet/), downloaded Dec. 12, 2014, 1 page.

\* cited by examiner

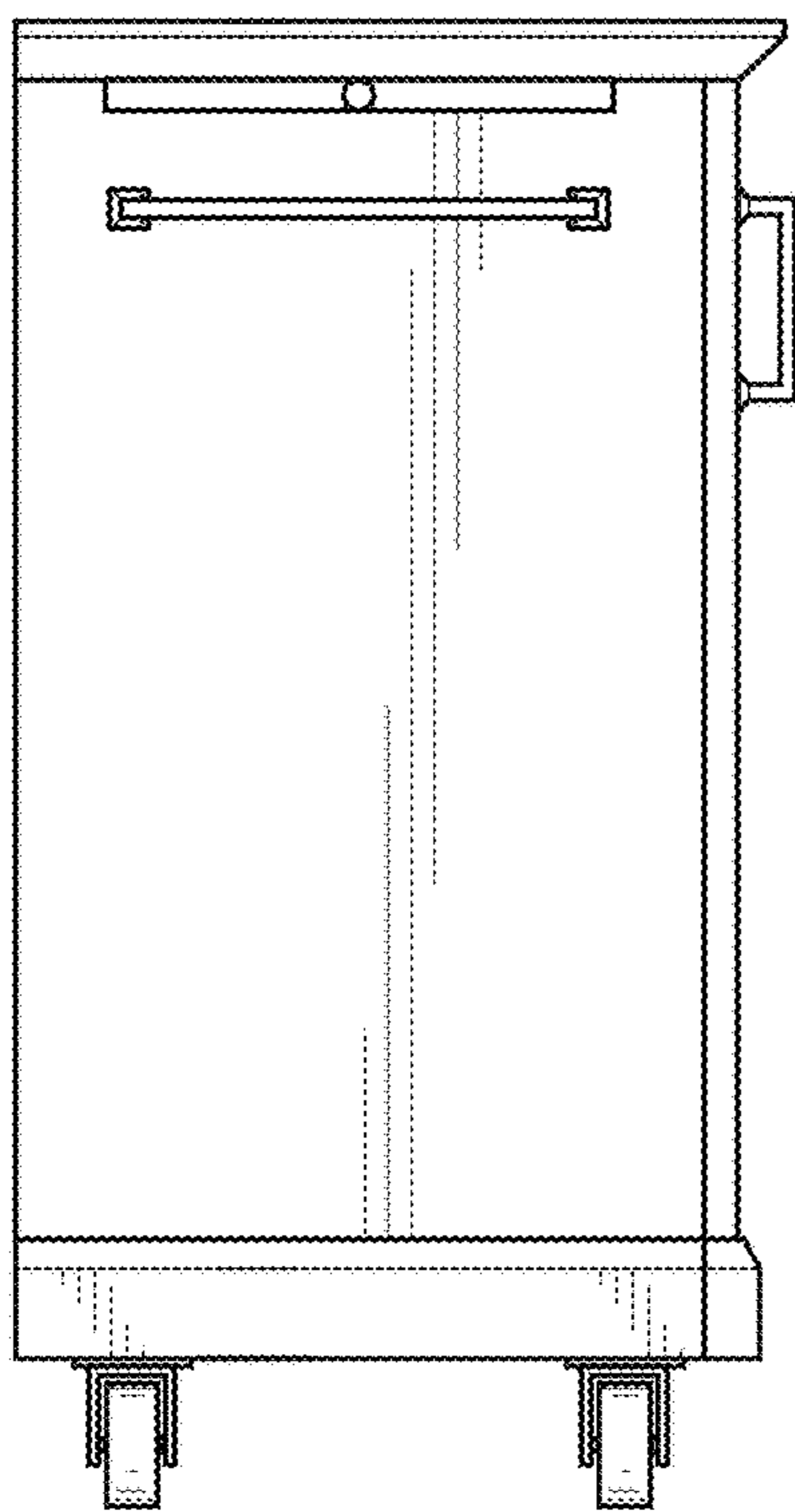
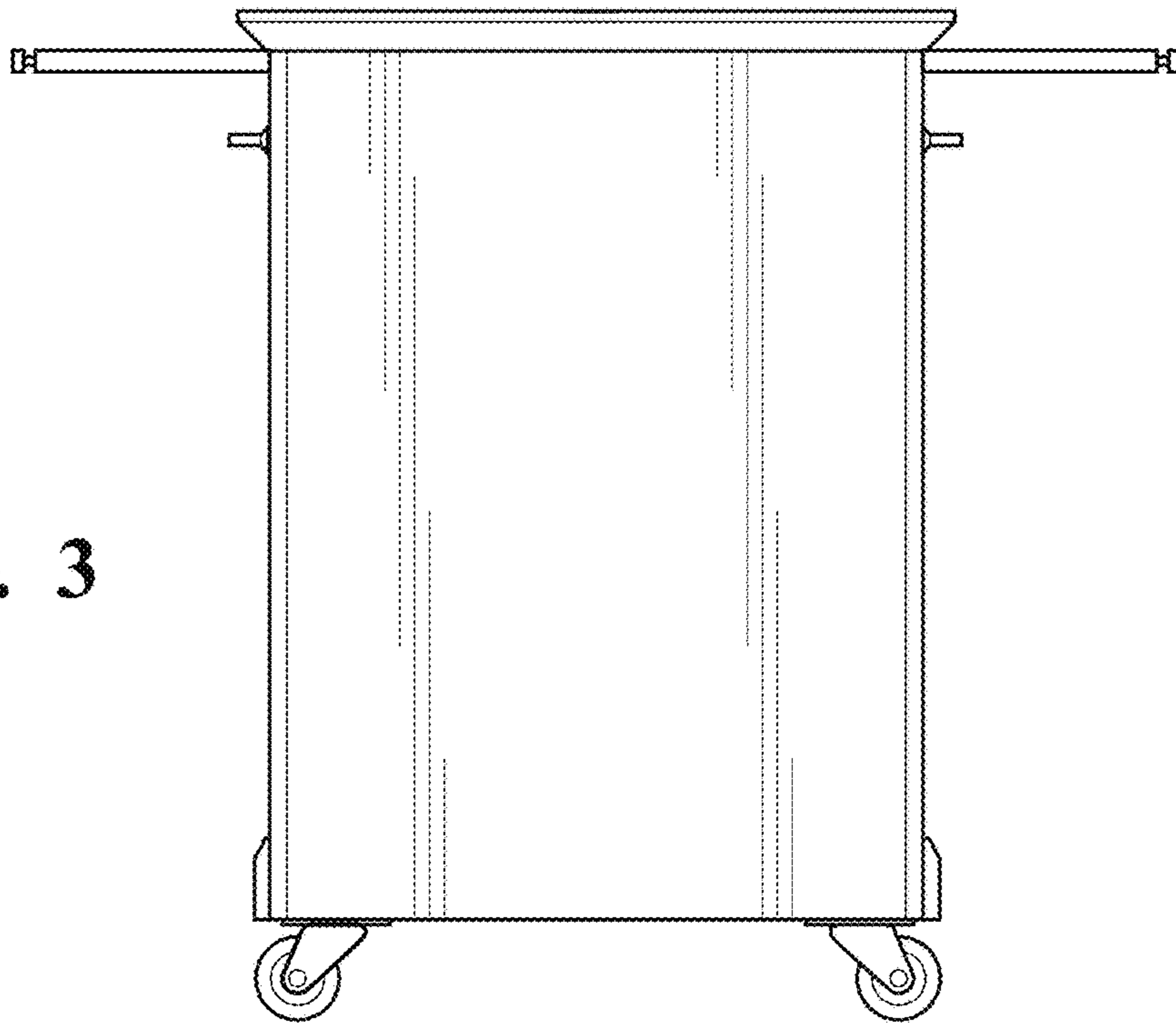


**FIG. 1**

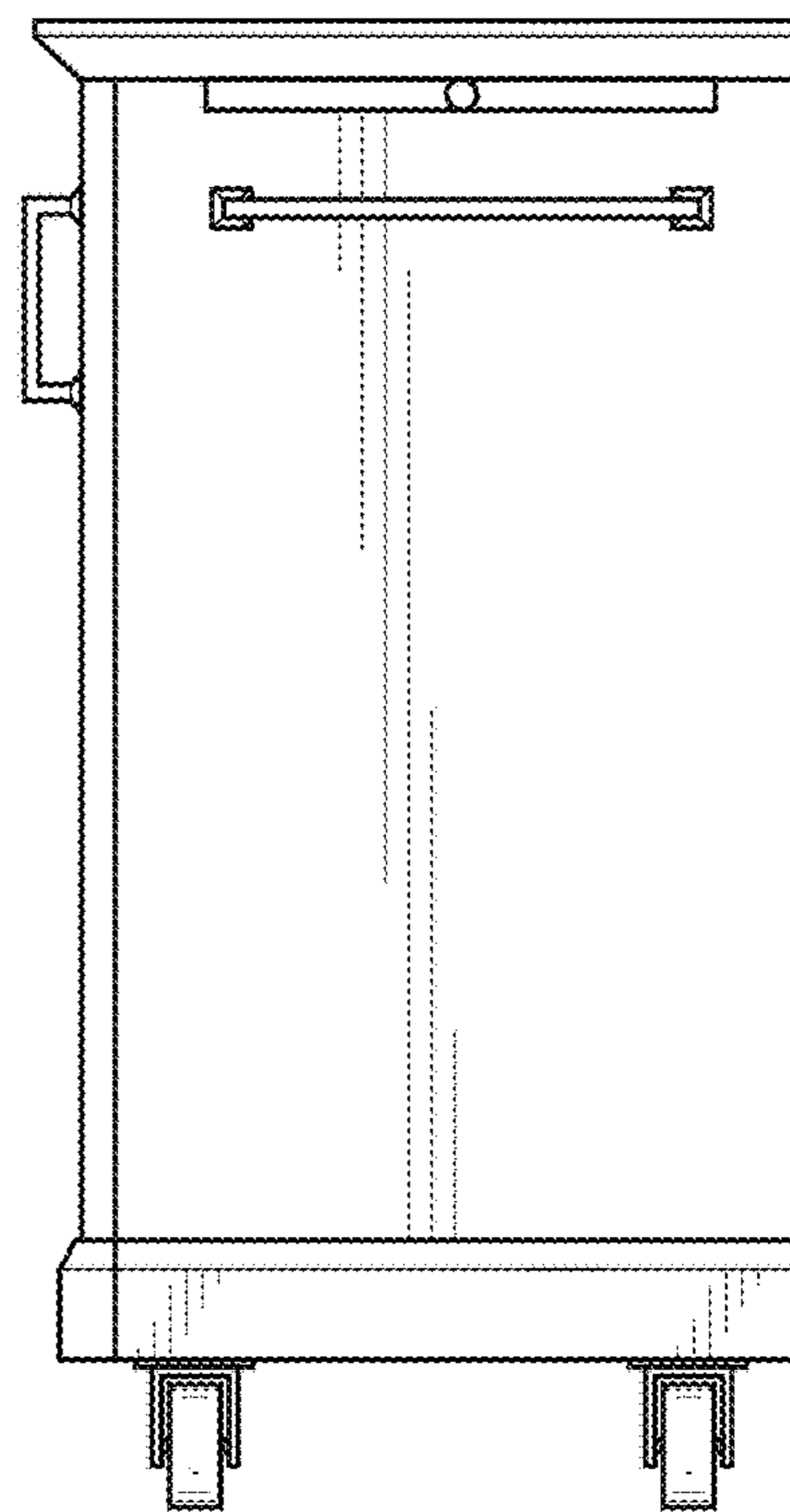


**FIG. 2**

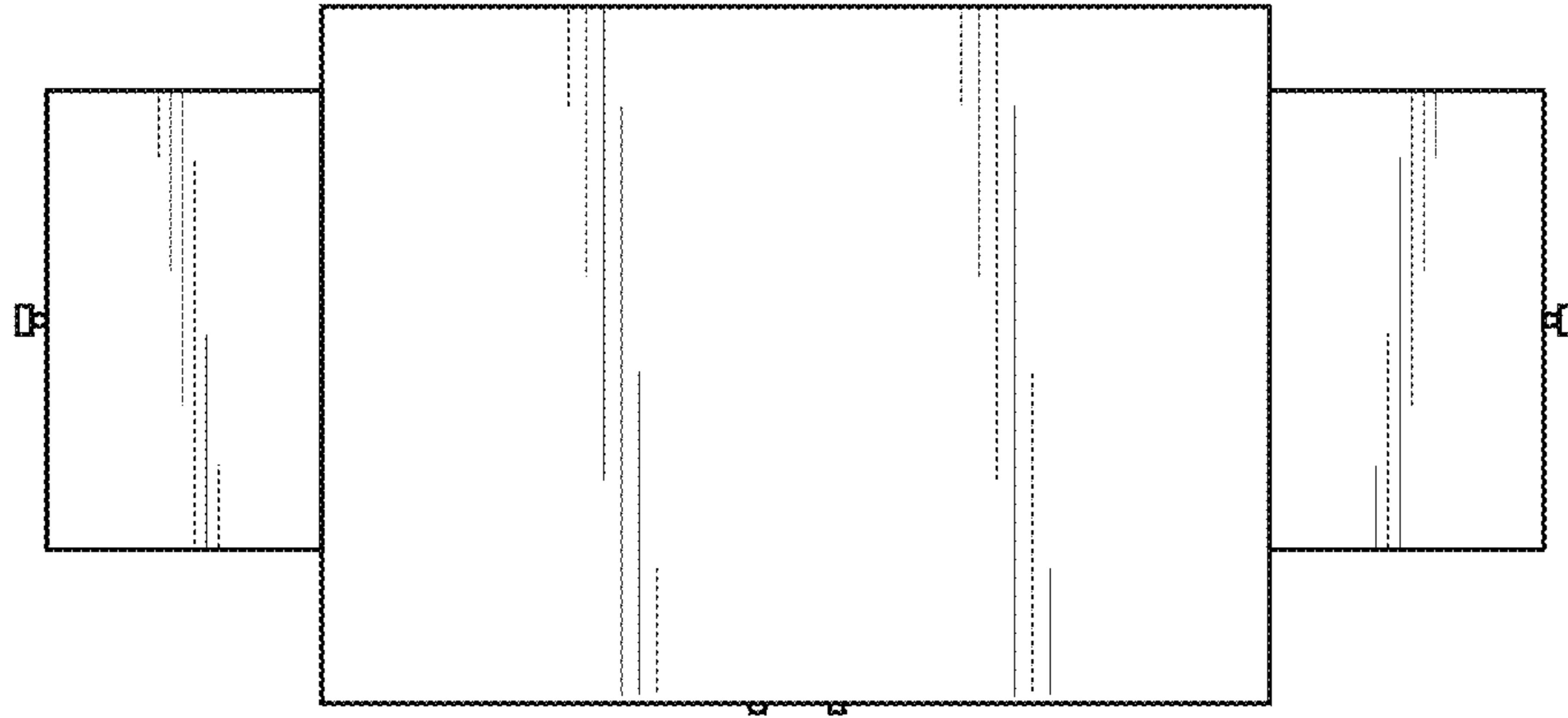
**FIG. 3**



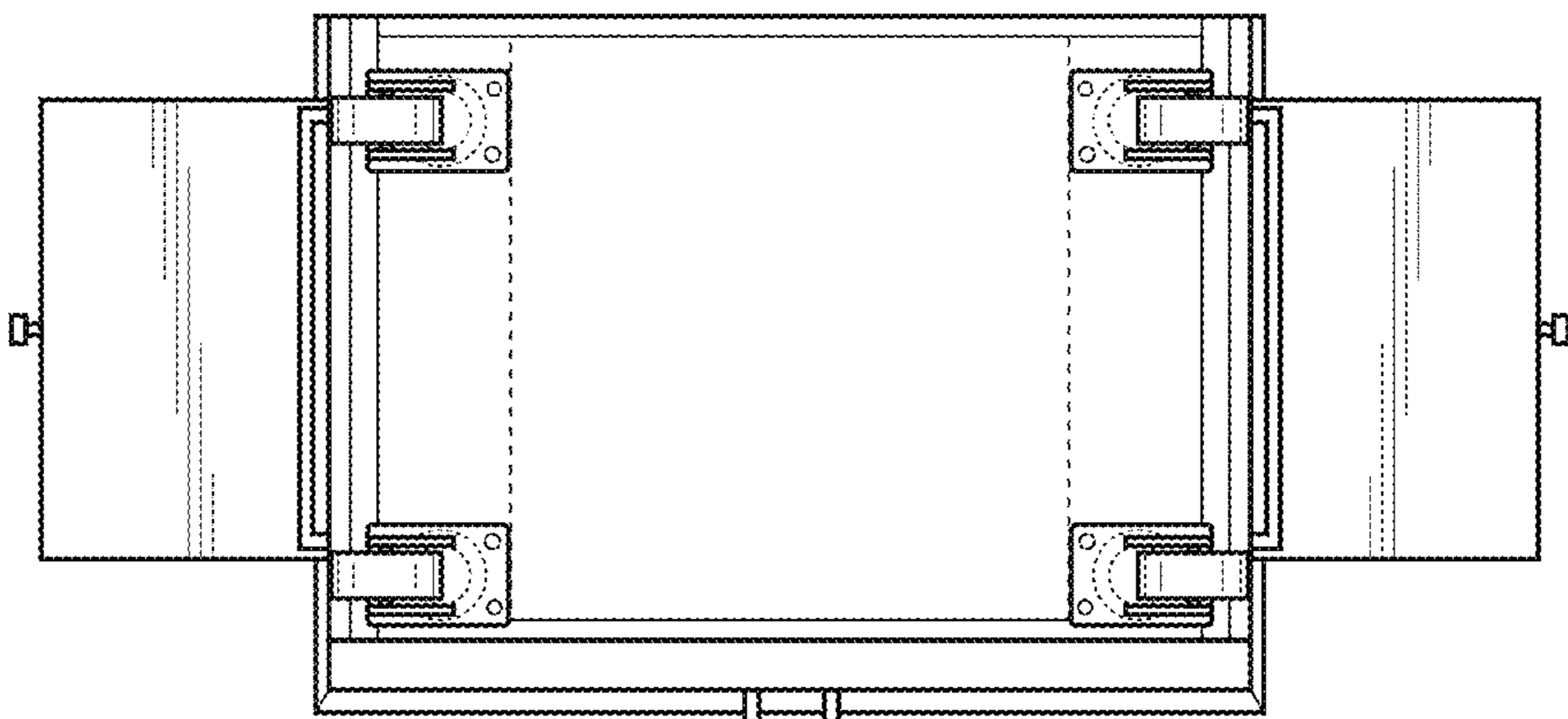
**FIG. 4**



**FIG. 5**



**FIG. 6**



**FIG. 7**