



US00D817582S

(12) **United States Design Patent**
Parcells et al.

(10) **Patent No.:** **US D817,582 S**
(45) **Date of Patent:** **** May 8, 2018**

(54) **COUNTERTOP COMPOSTER**

(71) Applicant: **Polder Products, LLC**, Oxford, CT (US)

(72) Inventors: **William Parcells**, Princeton, NJ (US);
Yuka Midorikawa-Haelters,
Langhorne, PA (US); **Robert Van Varick**, Yardley, PA (US); **Donald Strum**, Princeton, NJ (US)

(73) Assignee: **POLDER PRODUCTS, LLC**, Oxford, CT (US)

(**) Term: **15 Years**

(21) Appl. No.: **29/597,578**

(22) Filed: **Mar. 17, 2017**

(51) **LOC (11) Cl.** **09-09**

(52) **U.S. Cl.**
USPC **D34/7; D34/1**

(58) **Field of Classification Search**
USPC **D34/1-11; 220/908-911**
CPC **B65F 1/1473; B65F 1/1452; B65F 2001/1489; C05F 17/02; C05F 17/0205; C05F 17/0223; C05F 17/0258**

See application file for complete search history.

(56) **References Cited**

U.S. PATENT DOCUMENTS

2,626,078	A *	1/1953	Hutchisson, Jr.	B65F 1/141 220/610
D782,144	S *	3/2017	Chitayat	D34/7
D799,135	S *	10/2017	Dror	D34/1
D799,774	S *	10/2017	Dror	D34/1
2013/0052726	A1 *	2/2013	Ashby	C05F 17/0205 435/290.3

* cited by examiner

Primary Examiner — Cynthia Ramirez

(74) *Attorney, Agent, or Firm* — Duane Morris LLP

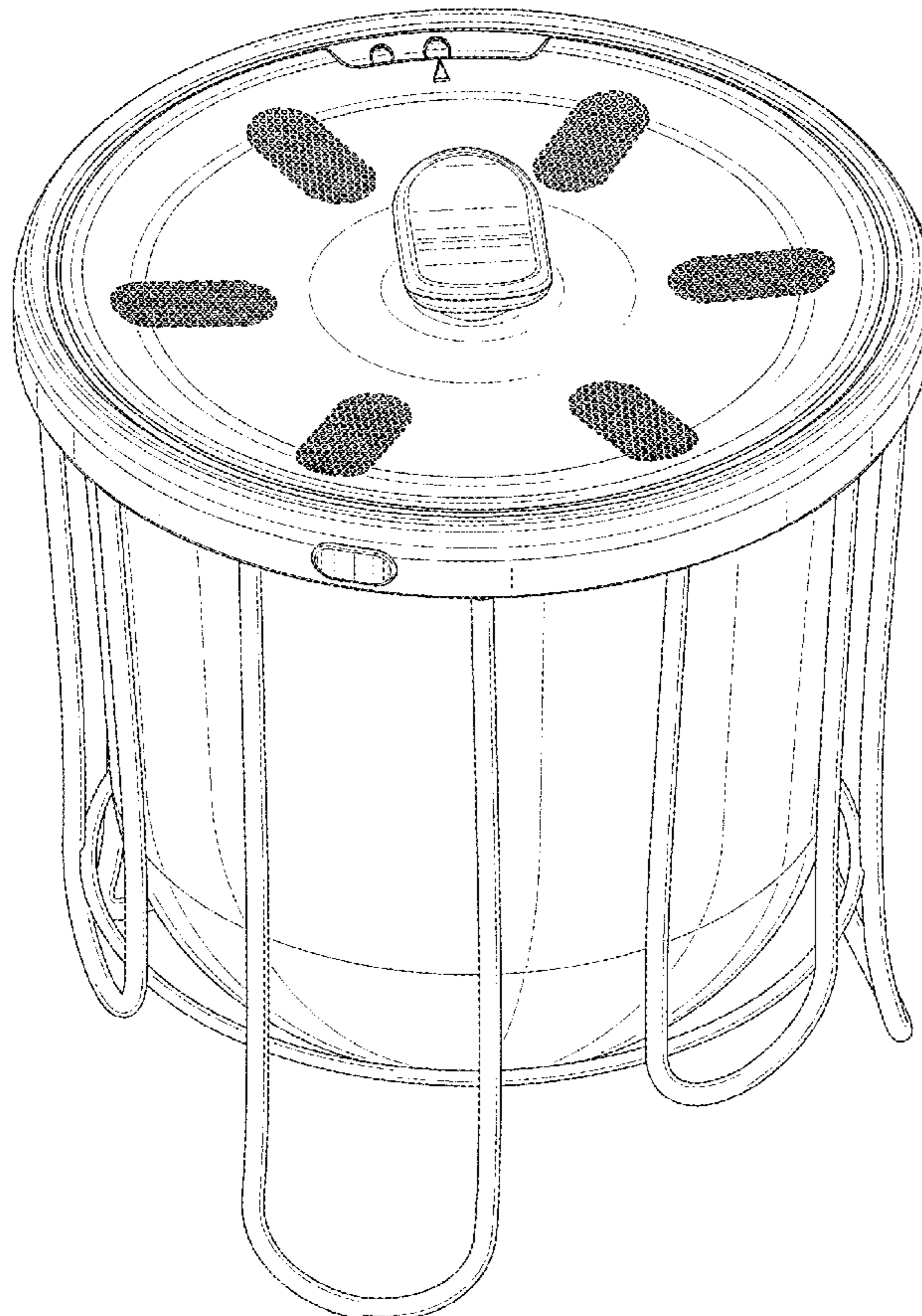
(57) **CLAIM**

The ornamental design for a countertop composter, as shown in the Figures.

DESCRIPTION

FIG. 1 is an isometric view of the countertop composter; FIG. 2 is a front side view of the countertop composter; FIG. 3 is a rear side view of the countertop composter; FIG. 4 is a side view of the countertop composter; FIG. 5 is a side view that is opposite the side view of FIG. 4 of the countertop composter; FIG. 6 is a top plan view of the countertop composter; and, FIG. 7 is a bottom plan view of the countertop composter.

1 Claim, 7 Drawing Sheets



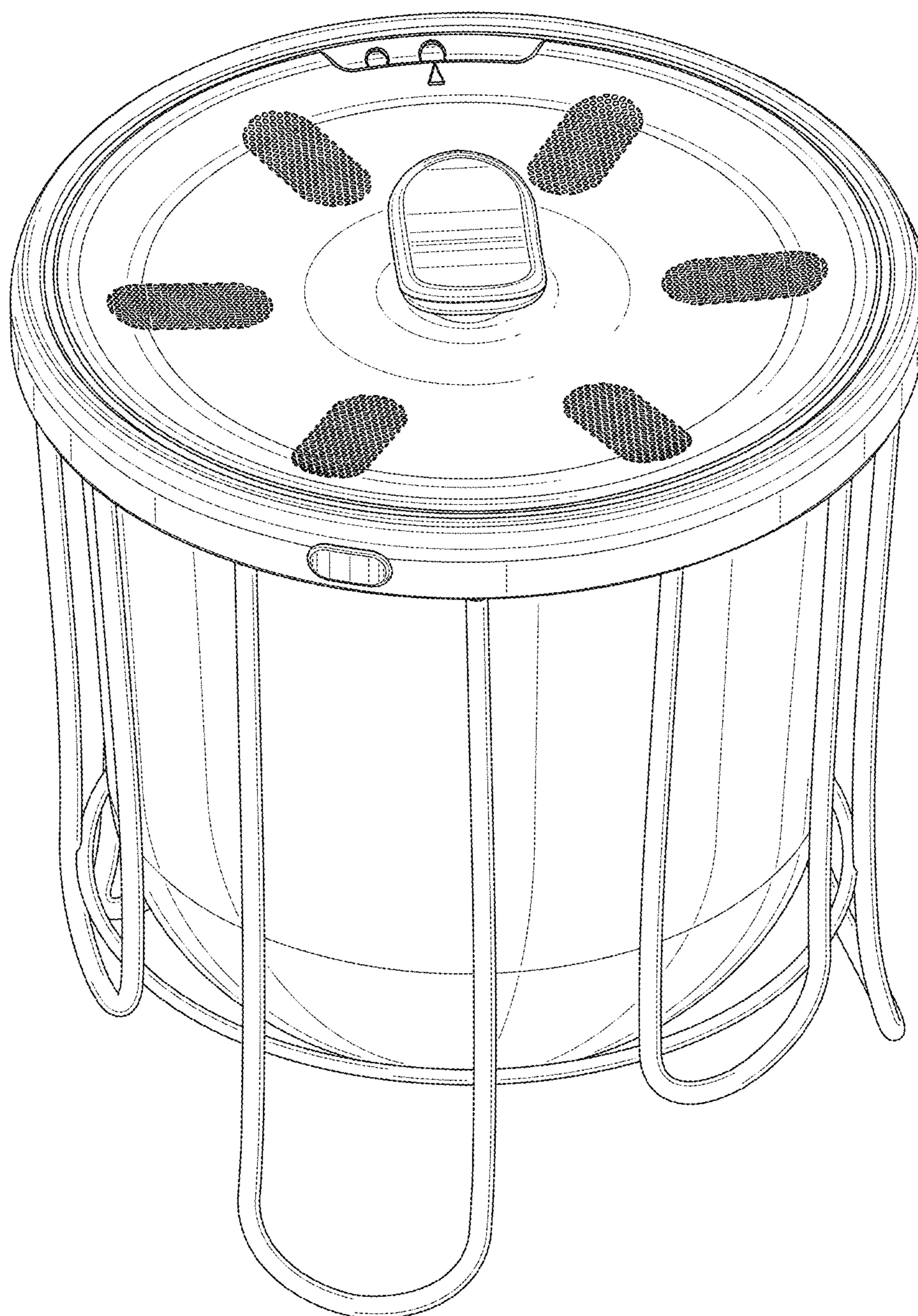


FIG. 1

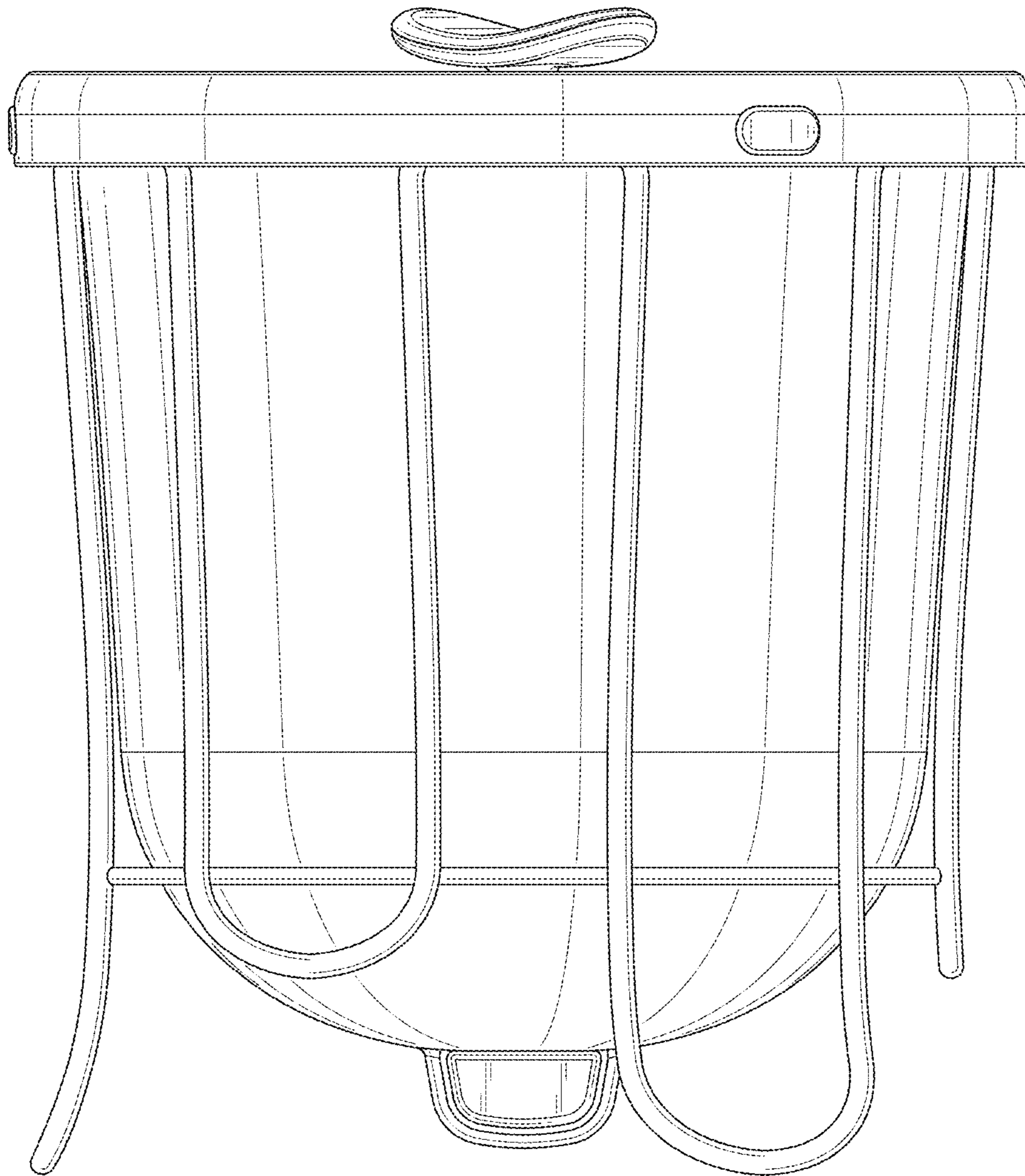


FIG. 2

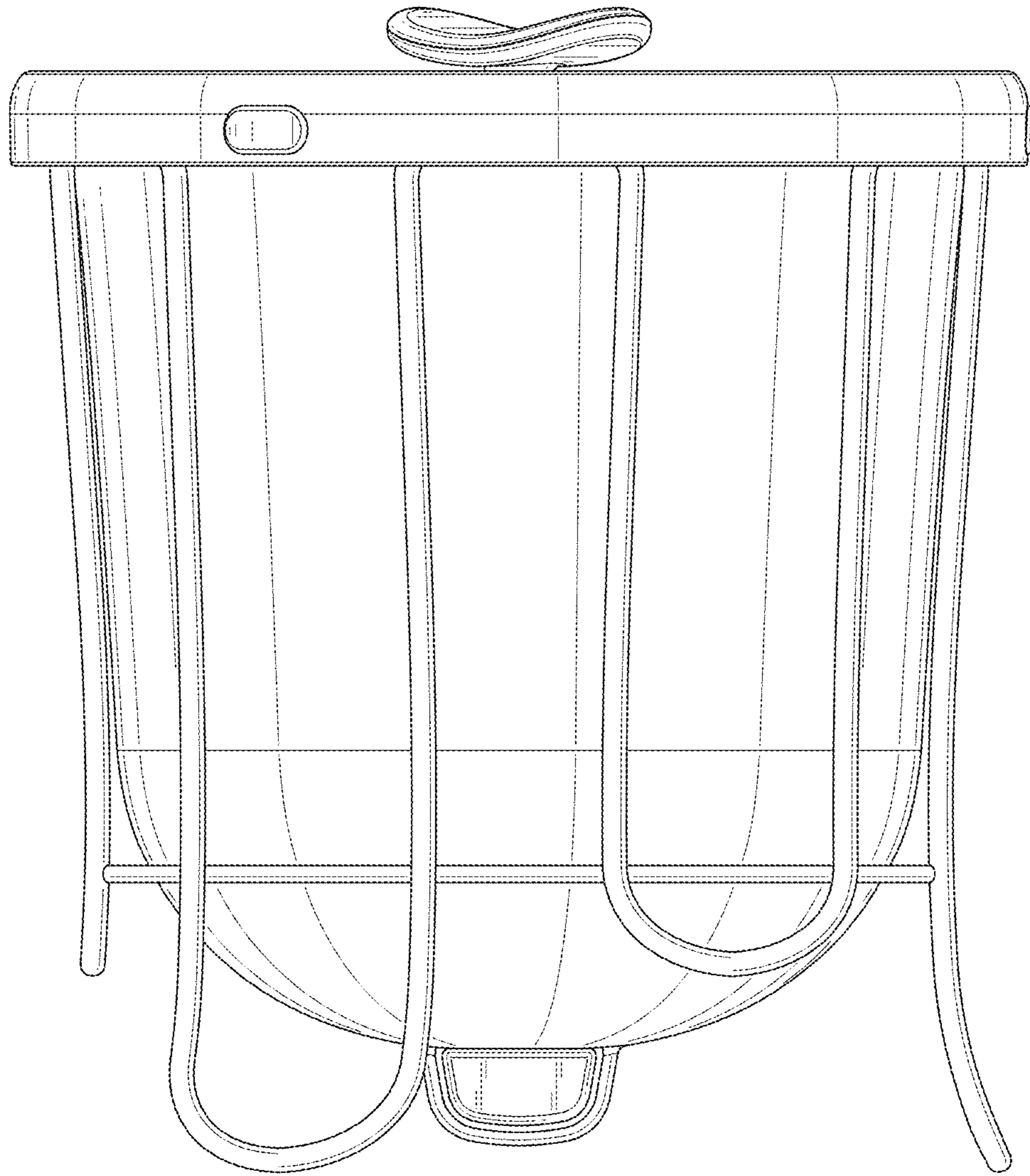


FIG. 3

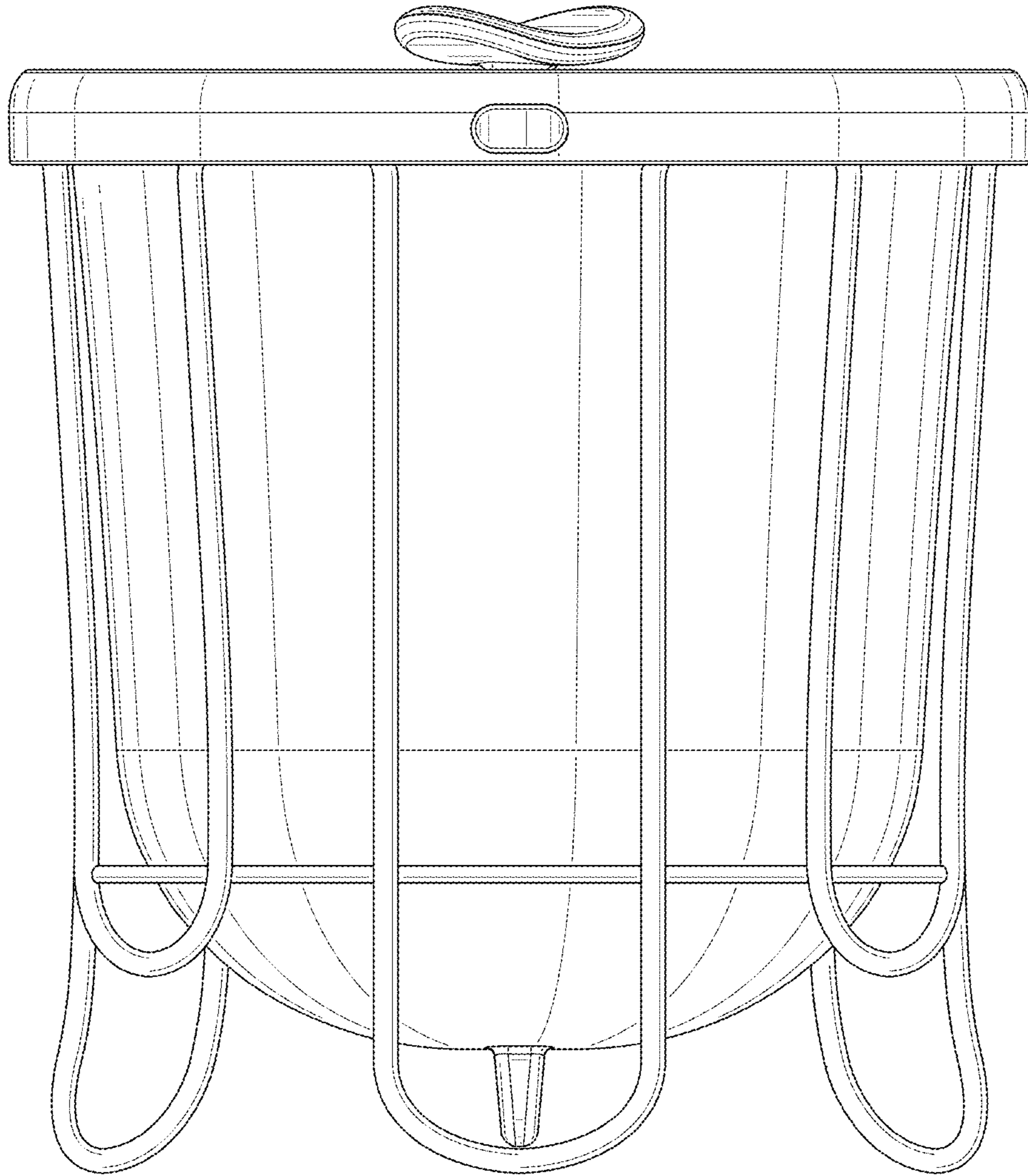


FIG. 4

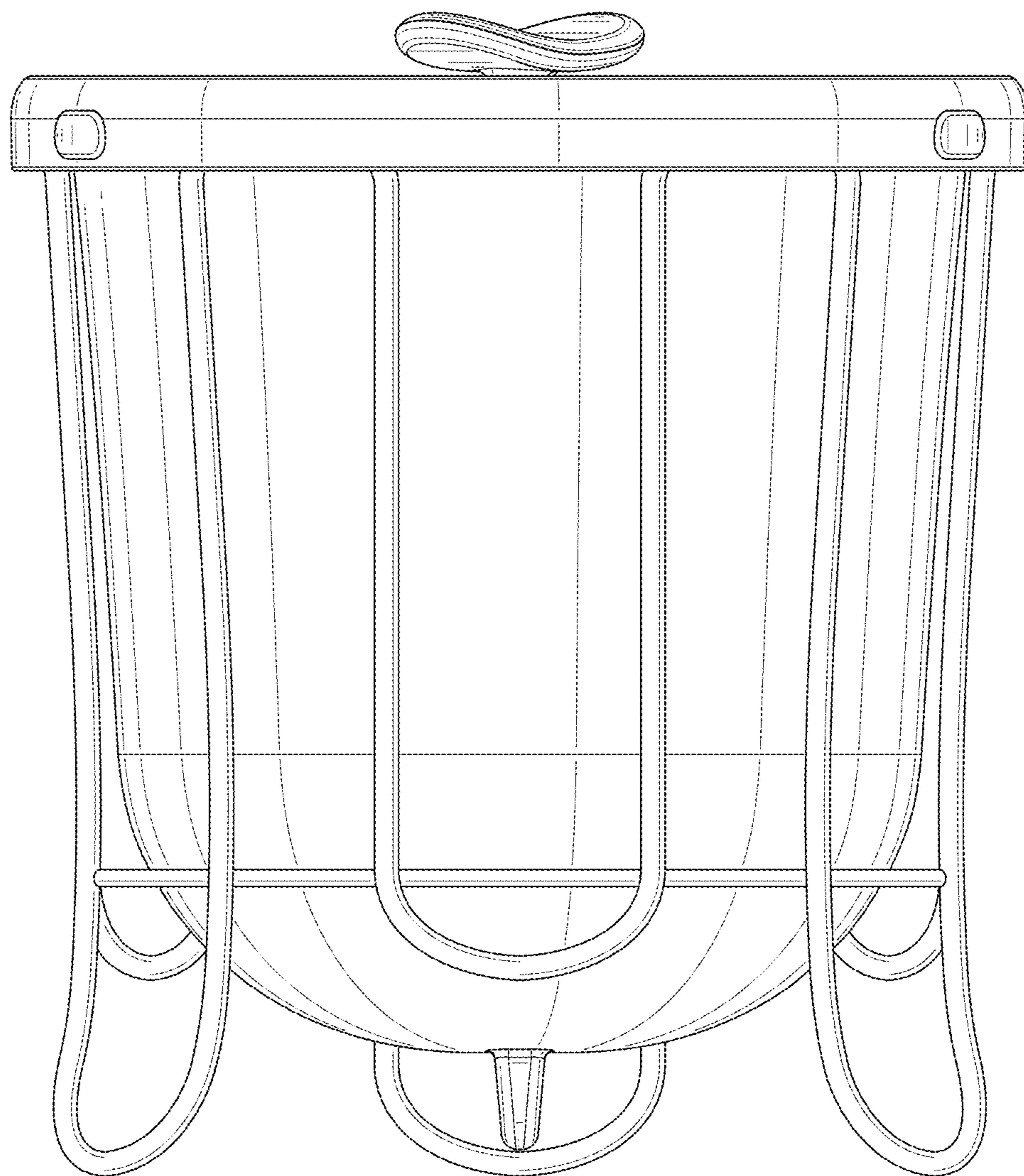


FIG. 5

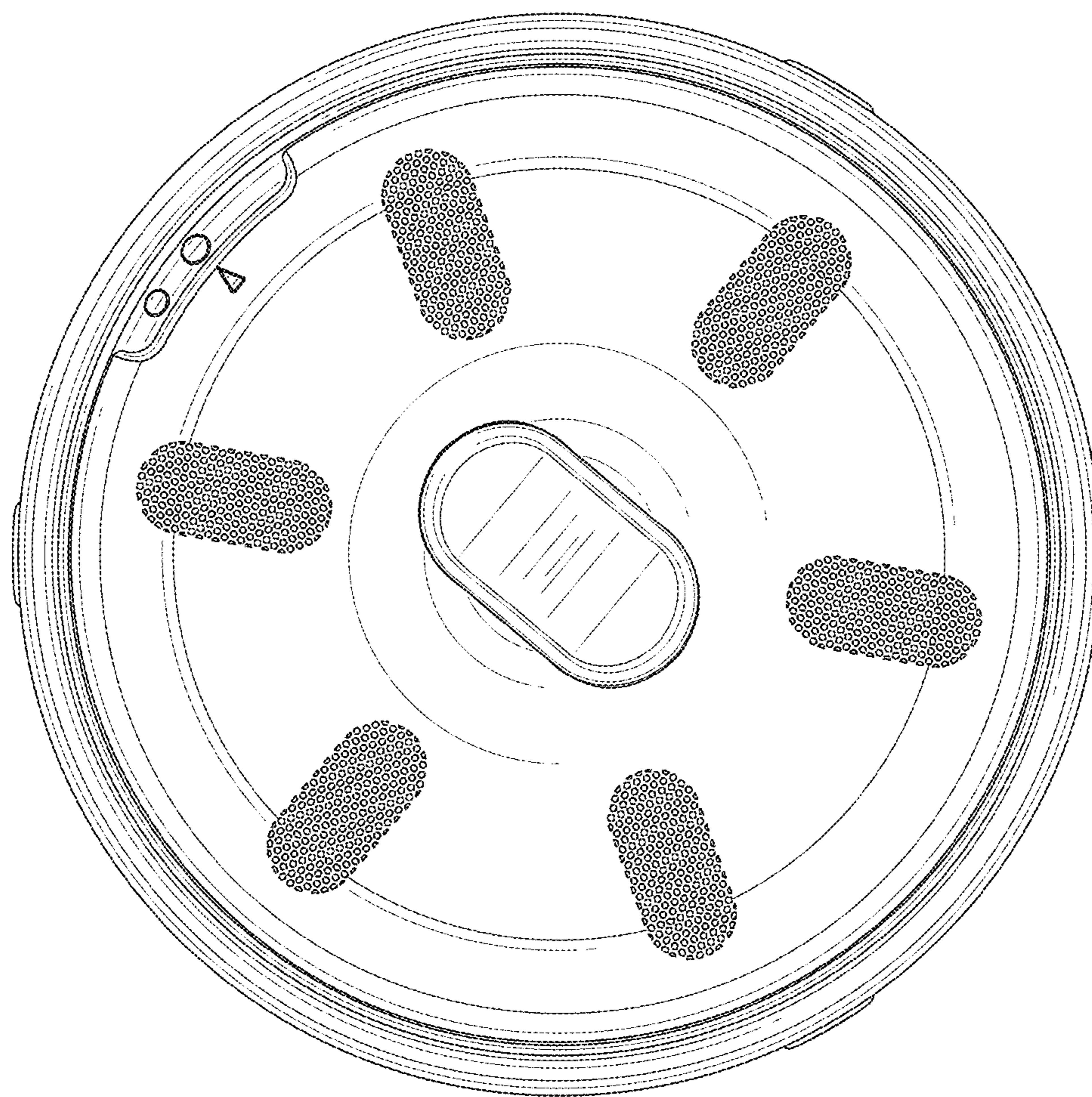


FIG. 6

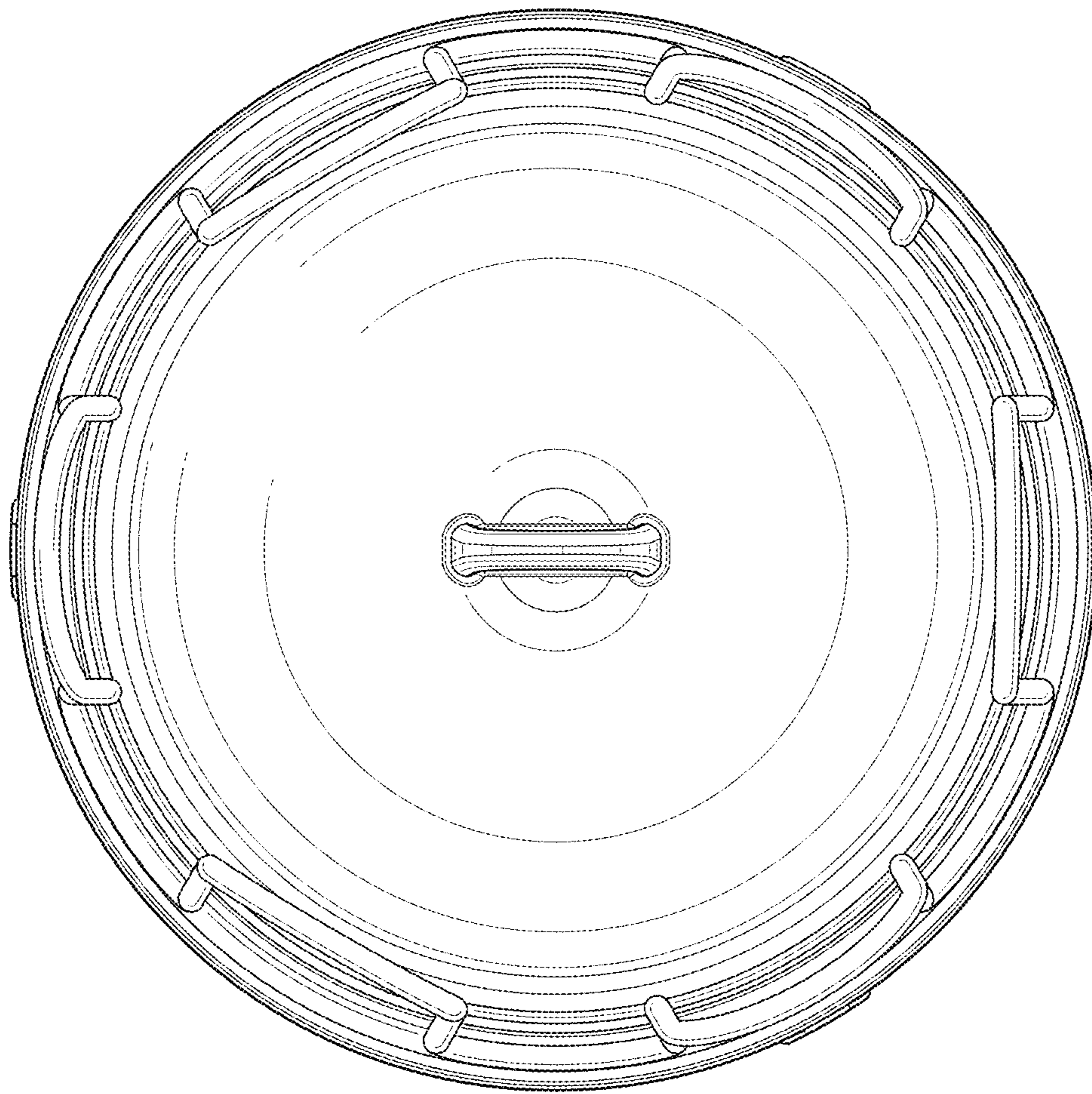


FIG. 7