



US00D817579S

(12) **United States Design Patent** (10) **Patent No.:** **US D817,579 S**
Thuma et al. (45) **Date of Patent:** **** May 8, 2018**

(54) **TRASH CAN**
(71) Applicant: **Suncast Technologies, LLC**, Palm Beach Gardens, FL (US)
(72) Inventors: **Michael Thuma**, La Grange, IL (US); **Torrence Anderson**, Overland Park, KS (US); **Michael R. Vogler**, Oswego, IL (US)

D322,347 S * 12/1991 Skalka D34/5
D322,348 S * 12/1991 Skalka D34/5
D391,723 S * 3/1998 McCombs D34/5
D417,053 S * 11/1999 Skalka D34/6
D454,238 S * 3/2002 Skalka D34/1
D458,431 S * 6/2002 Skalka D34/1
D487,538 S * 3/2004 Skalka D34/7
D488,901 S * 4/2004 Skalka D34/1
D542,993 S * 5/2007 Skalka D34/1
D602,221 S * 10/2009 Skalka D34/1

* cited by examiner

(73) Assignee: **Suncast Technologies, LLC**, Palm Beach Gardens, FL (US)

Primary Examiner — Cynthia Ramirez
(74) *Attorney, Agent, or Firm* — McHale & Slavin, P.A.

(**) Term: **15 Years**

(57) **CLAIM**

(21) Appl. No.: **29/595,693**

The ornamental design for a trash can, as shown and described.

(22) Filed: **Mar. 1, 2017**

DESCRIPTION

(51) **LOC (11) Cl.** **09-09**
(52) **U.S. Cl.**
USPC **D34/1**
(58) **Field of Classification Search**
USPC D34/1-11
CPC B65F 1/06; B65F 1/08; B65F 1/163; B65F 1/1607; B65F 1/106; B65F 1/1615; B65F 1/068
See application file for complete search history.

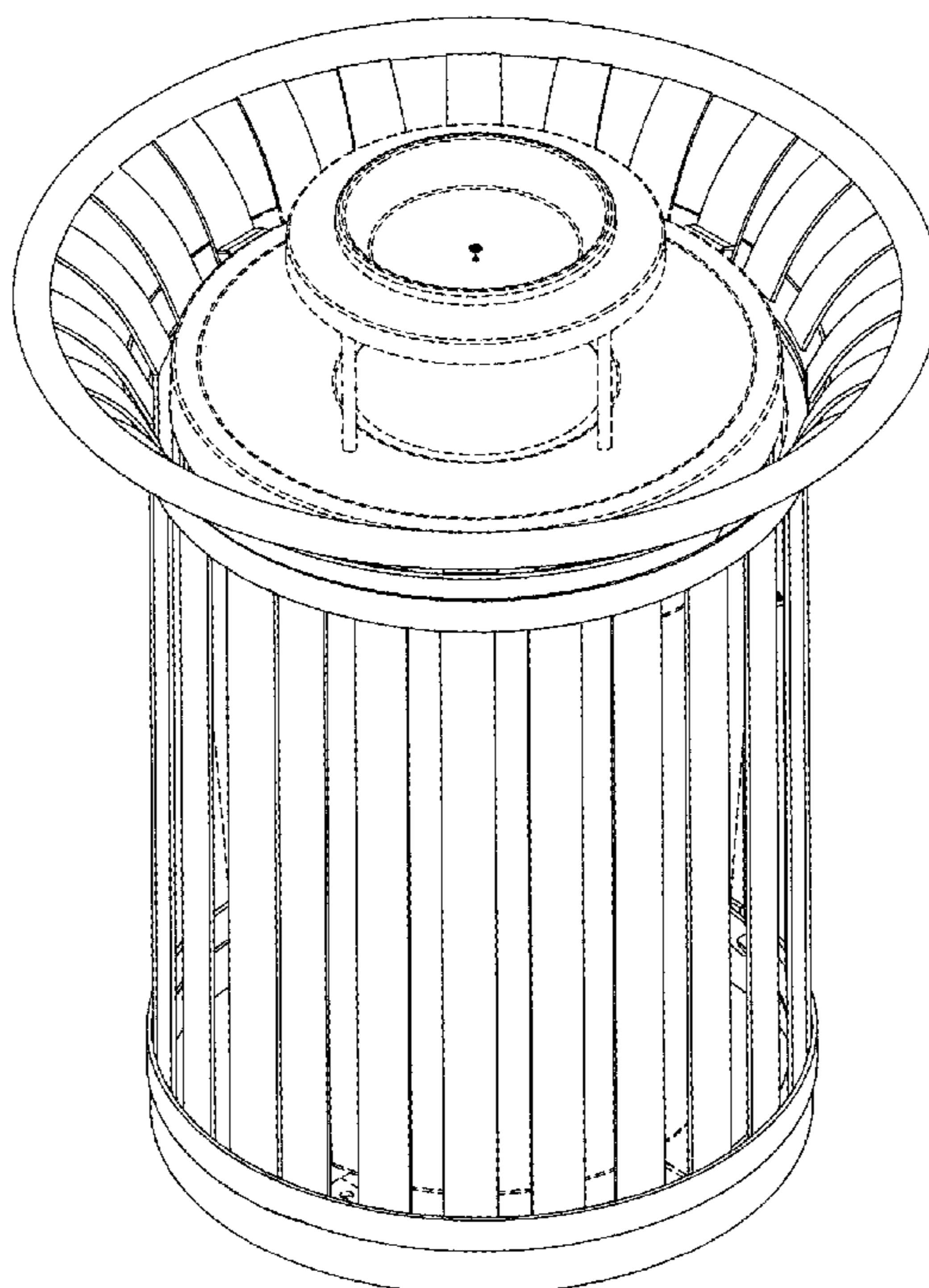
FIG. 1 is a top perspective view of the trash can of the present invention;
FIG. 2 is a front view thereof;
FIG. 3 is a rear view thereof;
FIG. 4 is a left side view thereof;
FIG. 5 is a right side view thereof;
FIG. 6 is a bottom view thereof;
FIG. 7 is a top view thereof;
FIG. 8 is a bottom isometric view thereof;
FIG. 9 is a bottom isometric view thereof; and,
FIG. 10 is a top rear isometric view thereof.
The portions of the trash can illustrated in broken lines form no part of the claimed subject matter.

(56) **References Cited**

U.S. PATENT DOCUMENTS

D306,928 S * 3/1990 Hanna D34/1
D314,461 S * 2/1991 Skalka D34/1

1 Claim, 10 Drawing Sheets



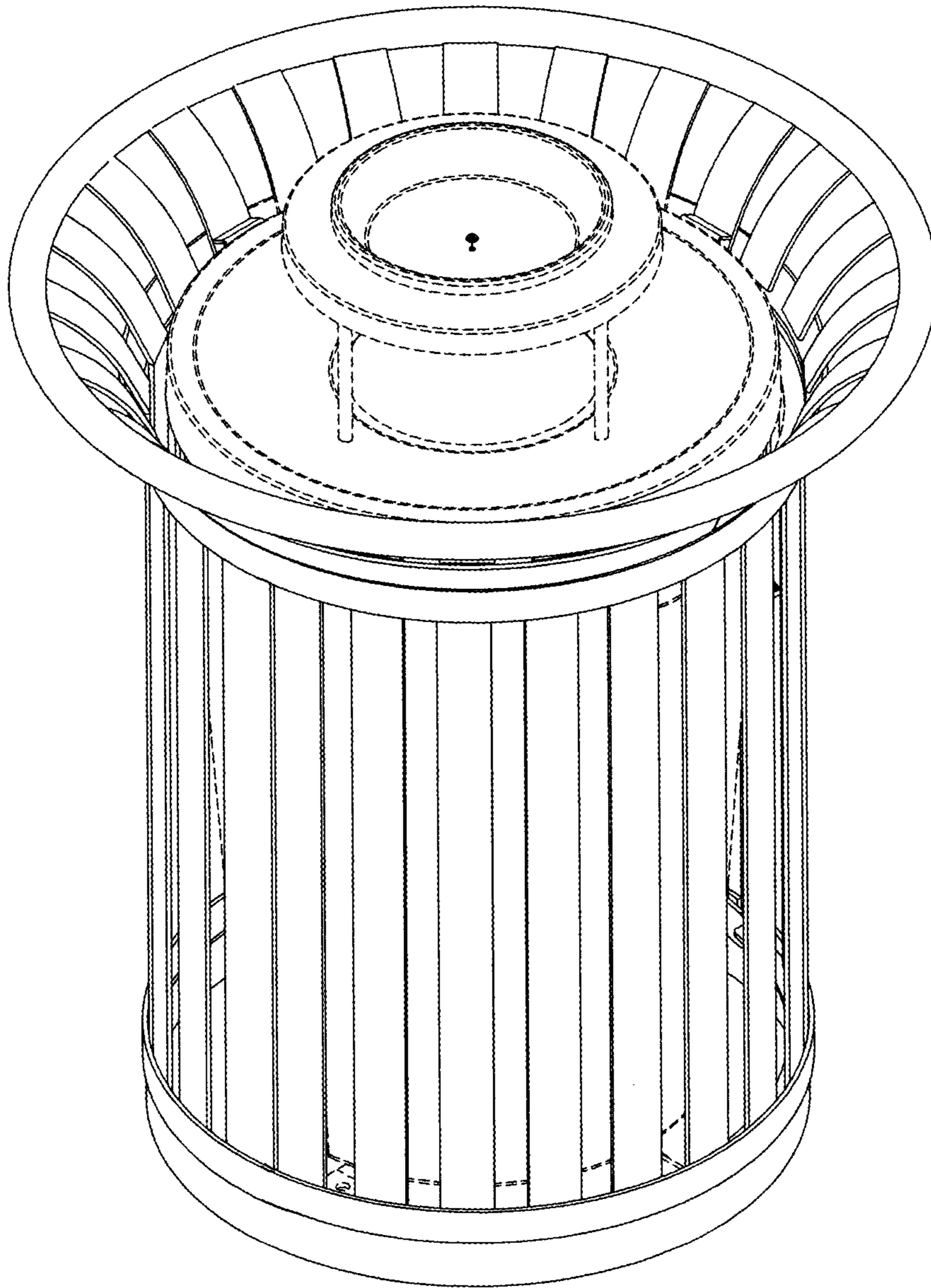


Fig. 1

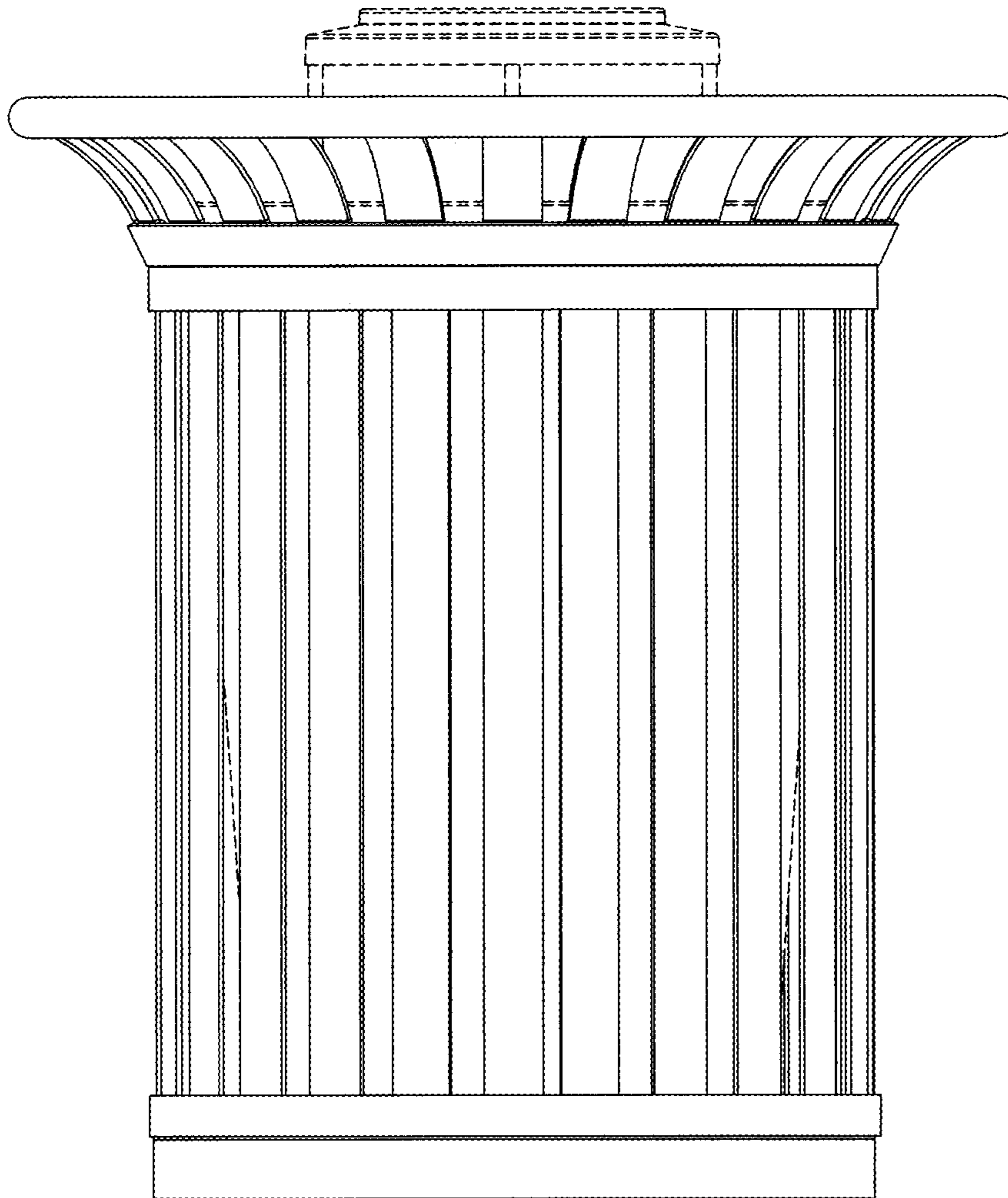


Fig. 2

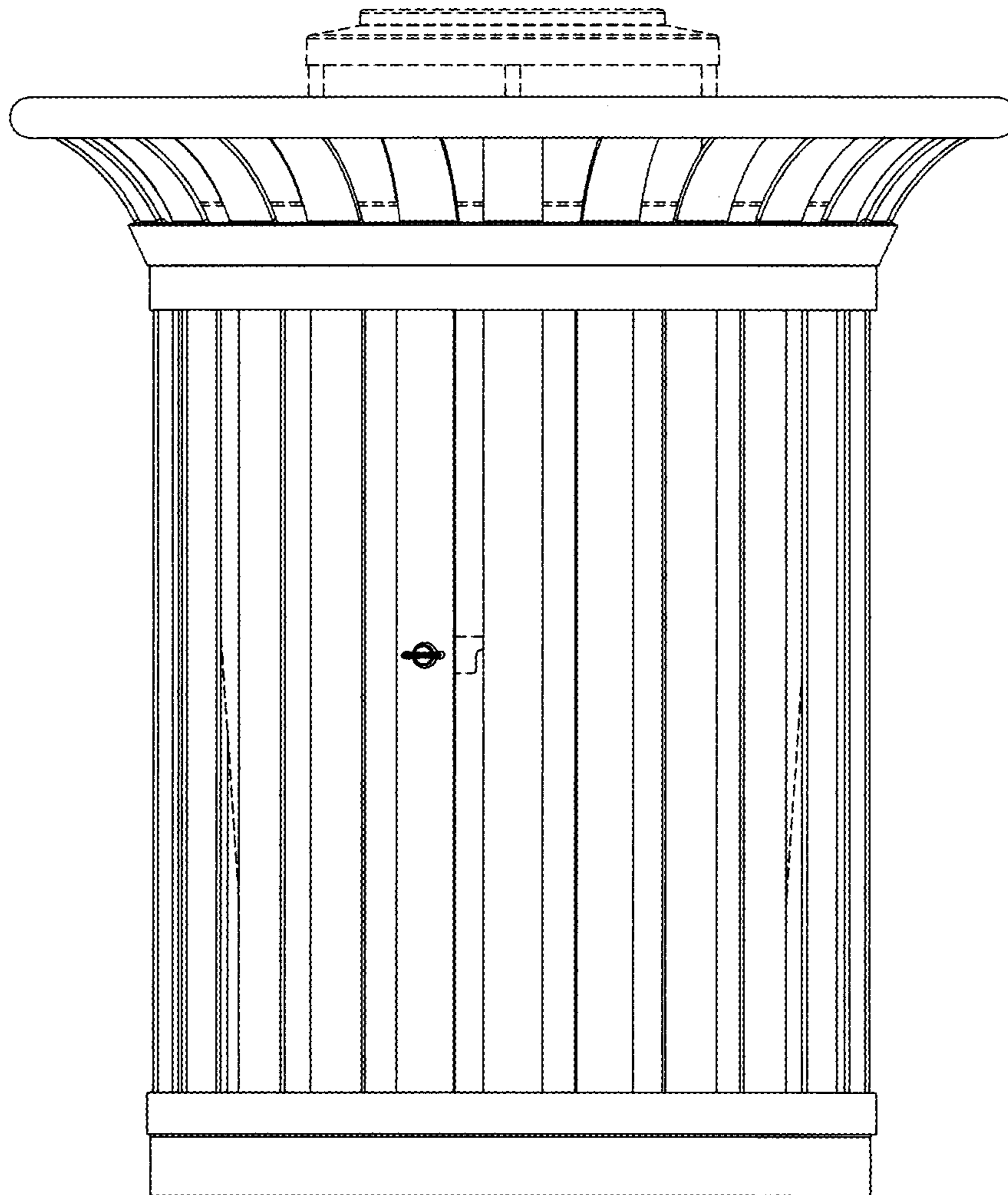


Fig. 3

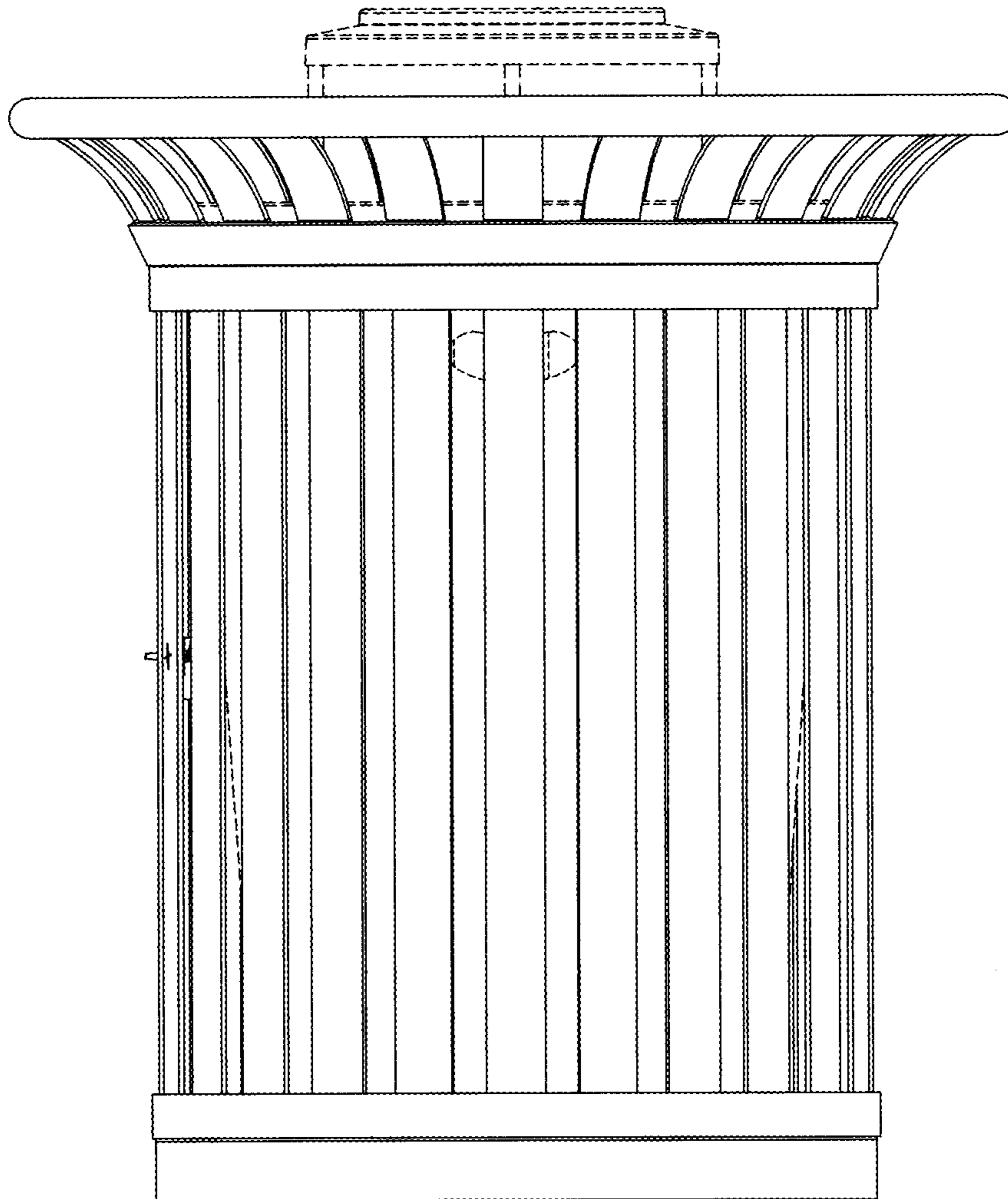


Fig. 4

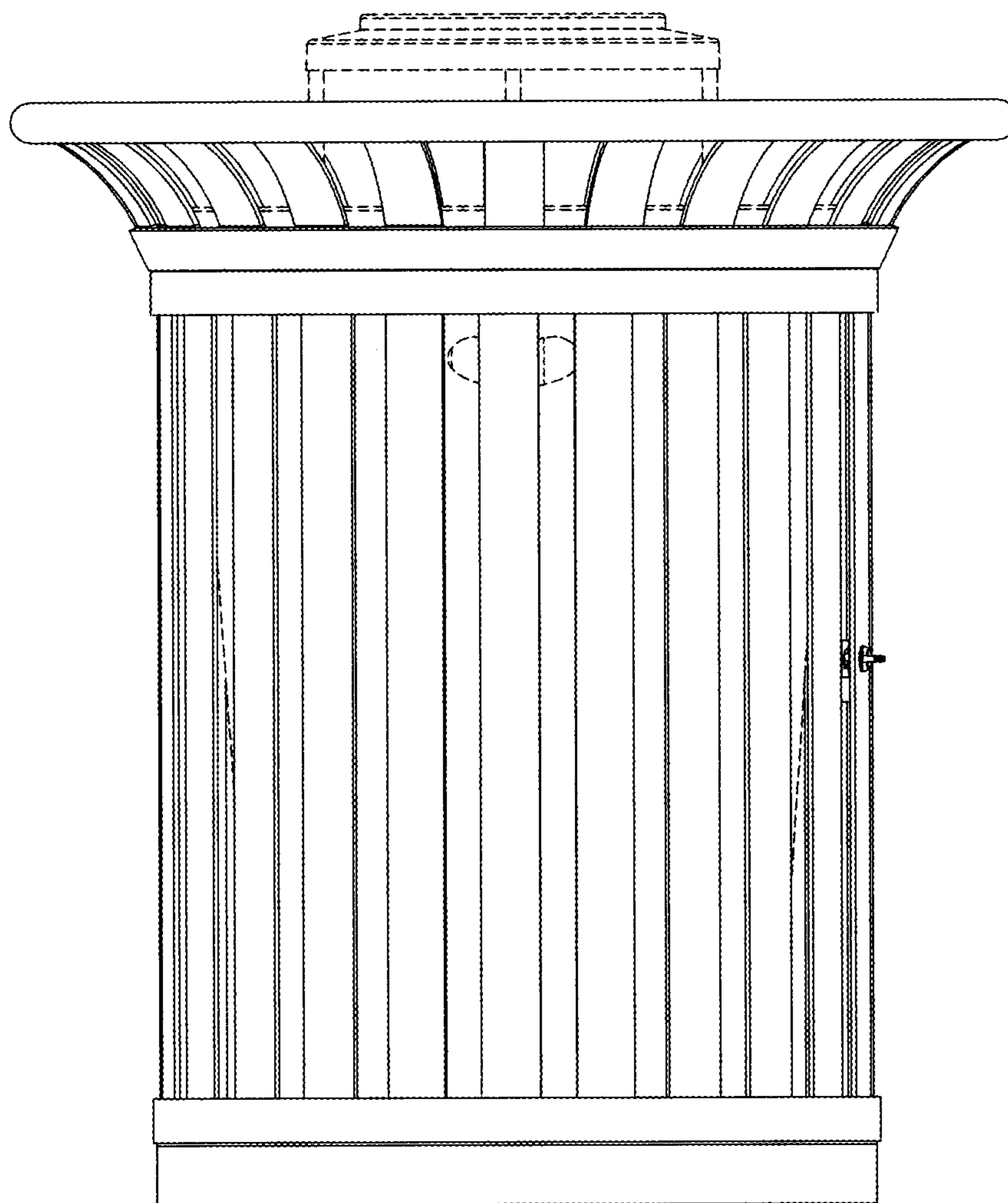


Fig. 5

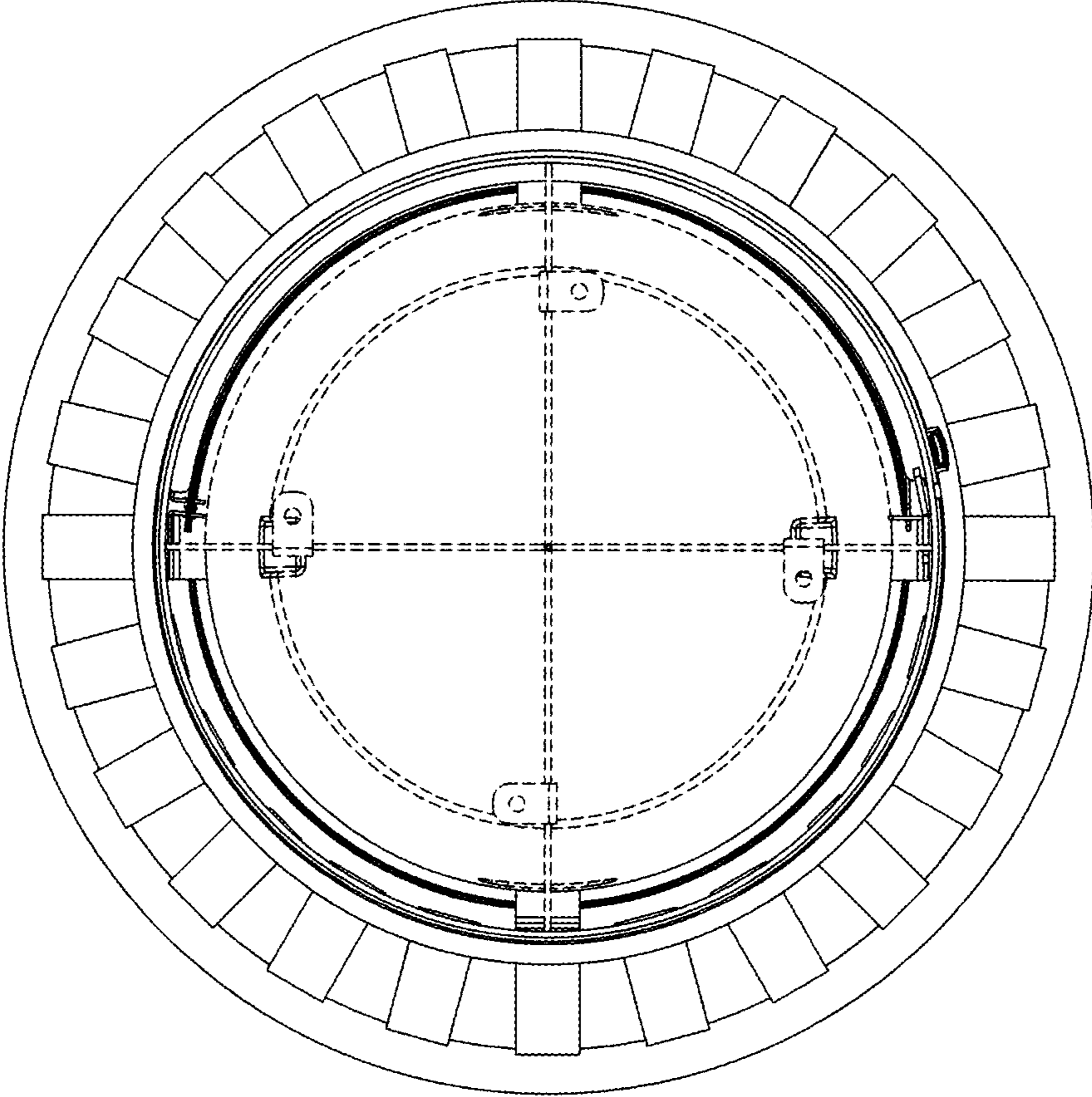


Fig. 6

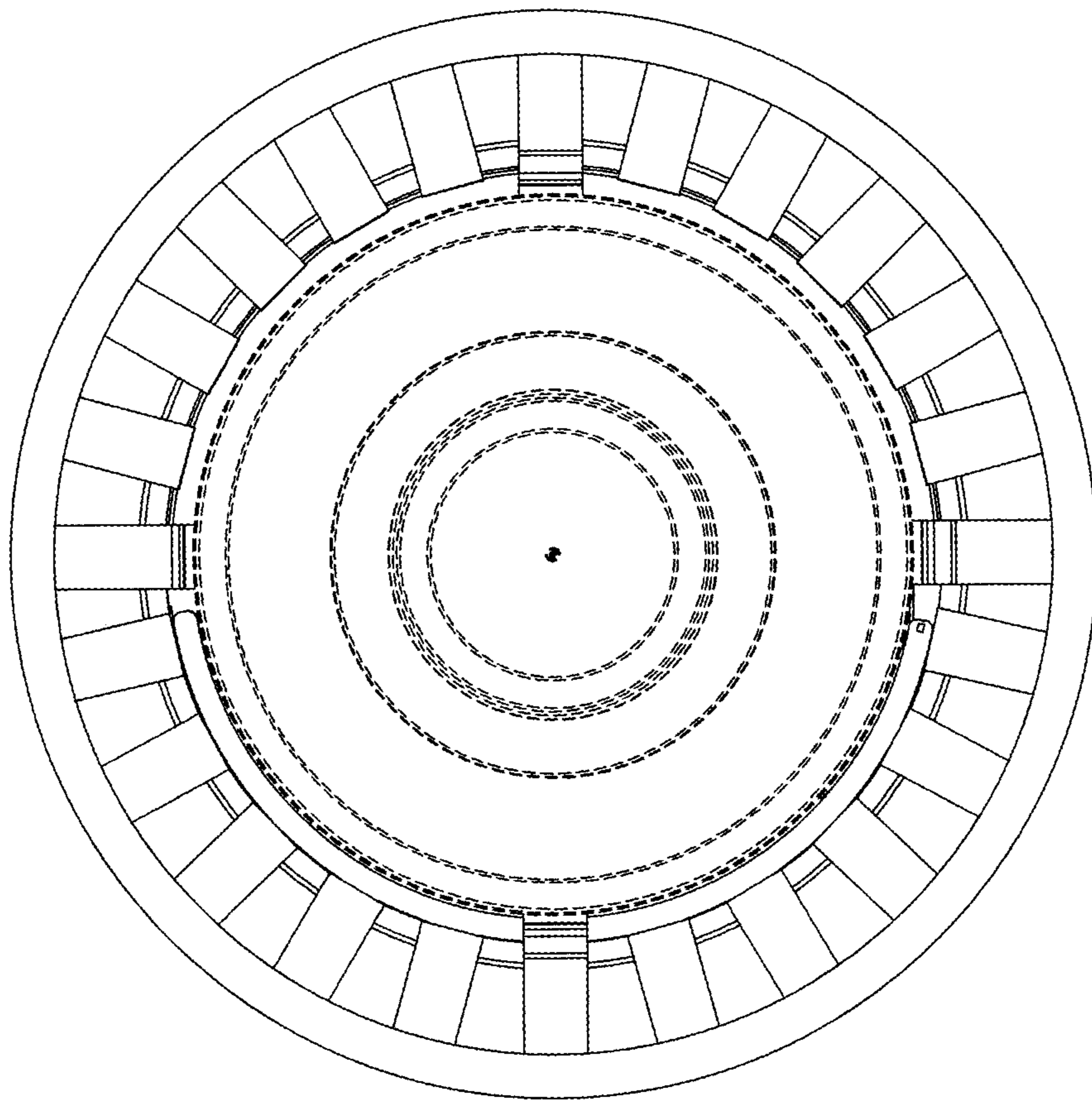


Fig. 7

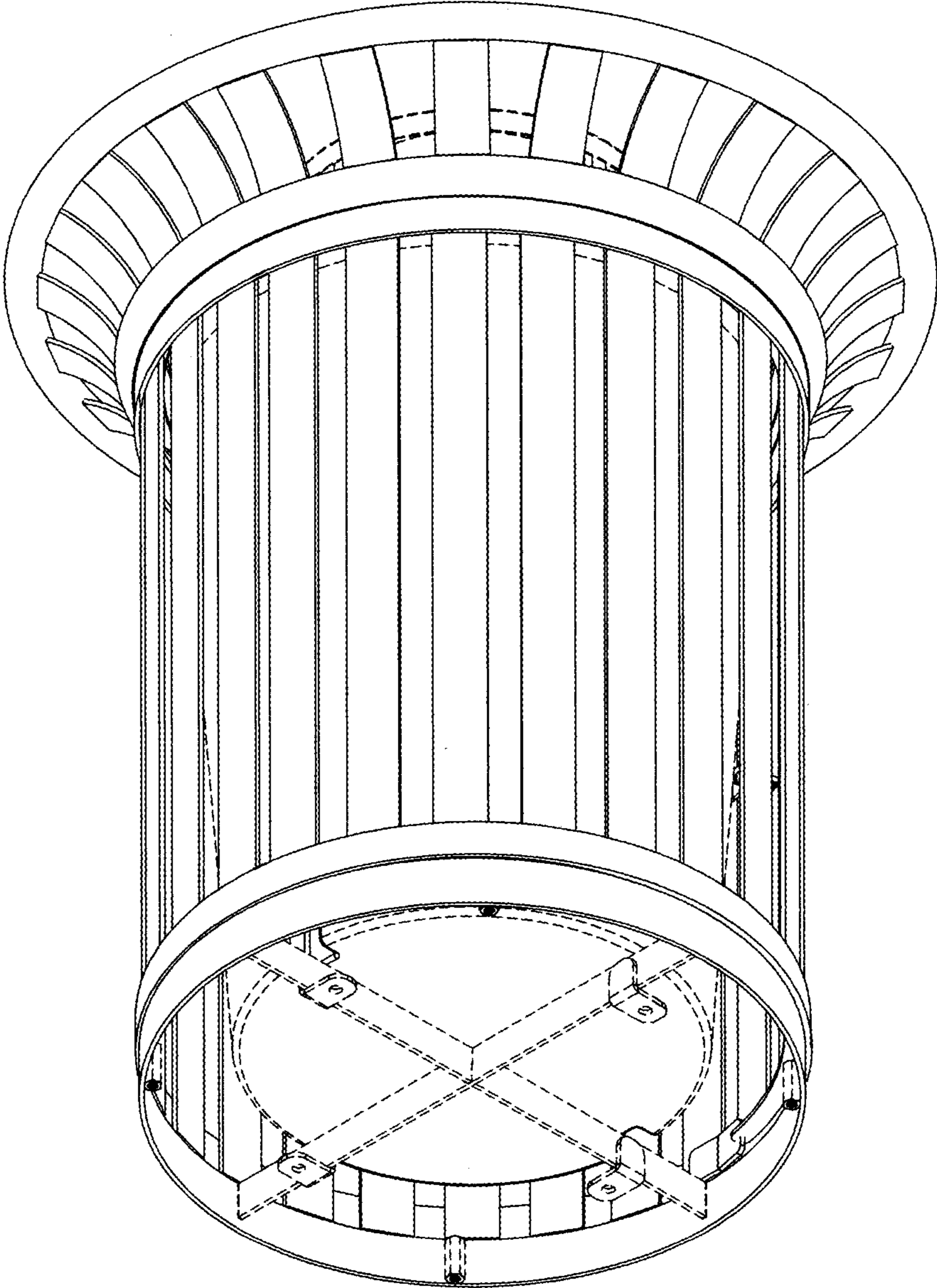


Fig. 8

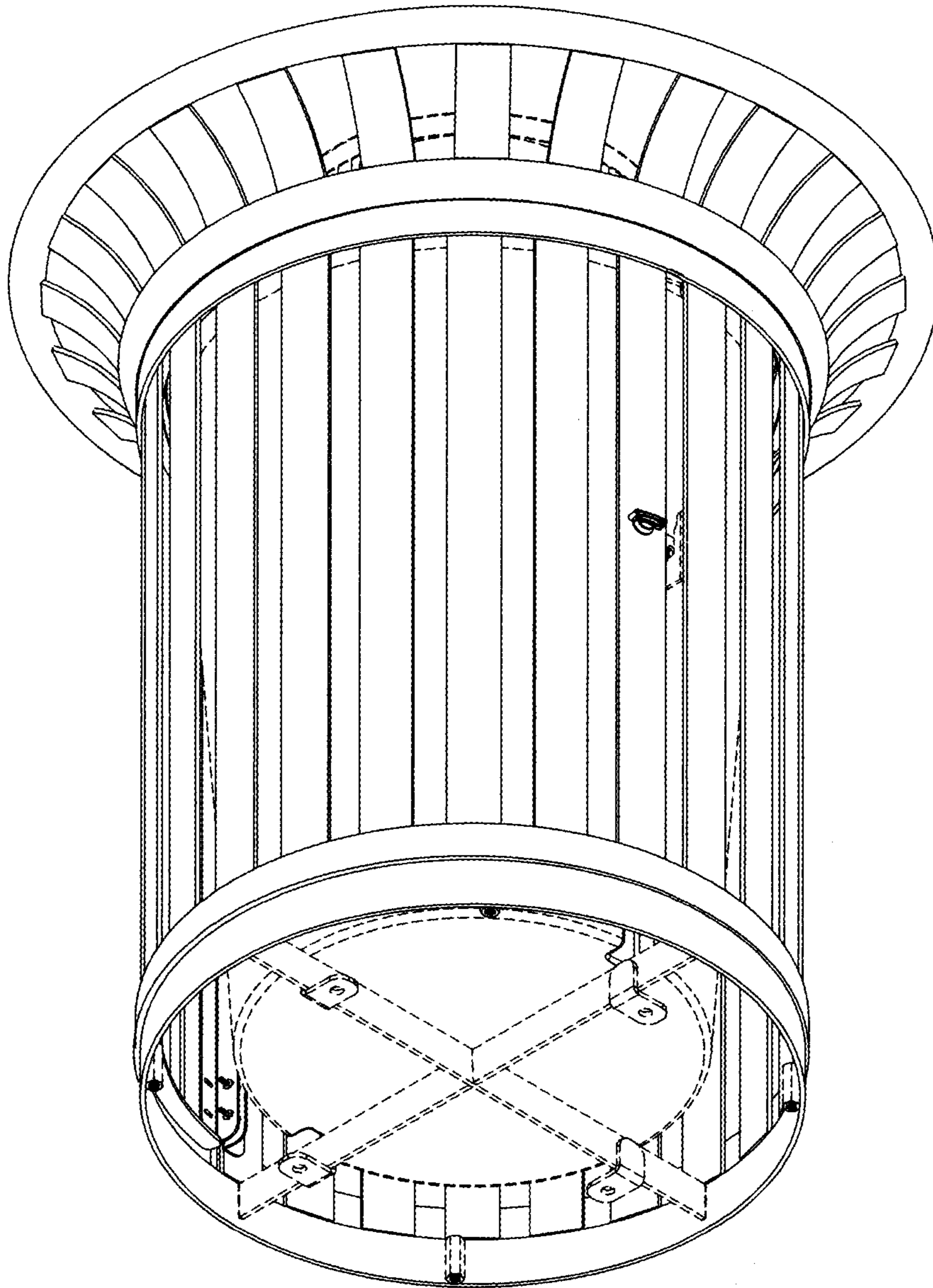


Fig. 9

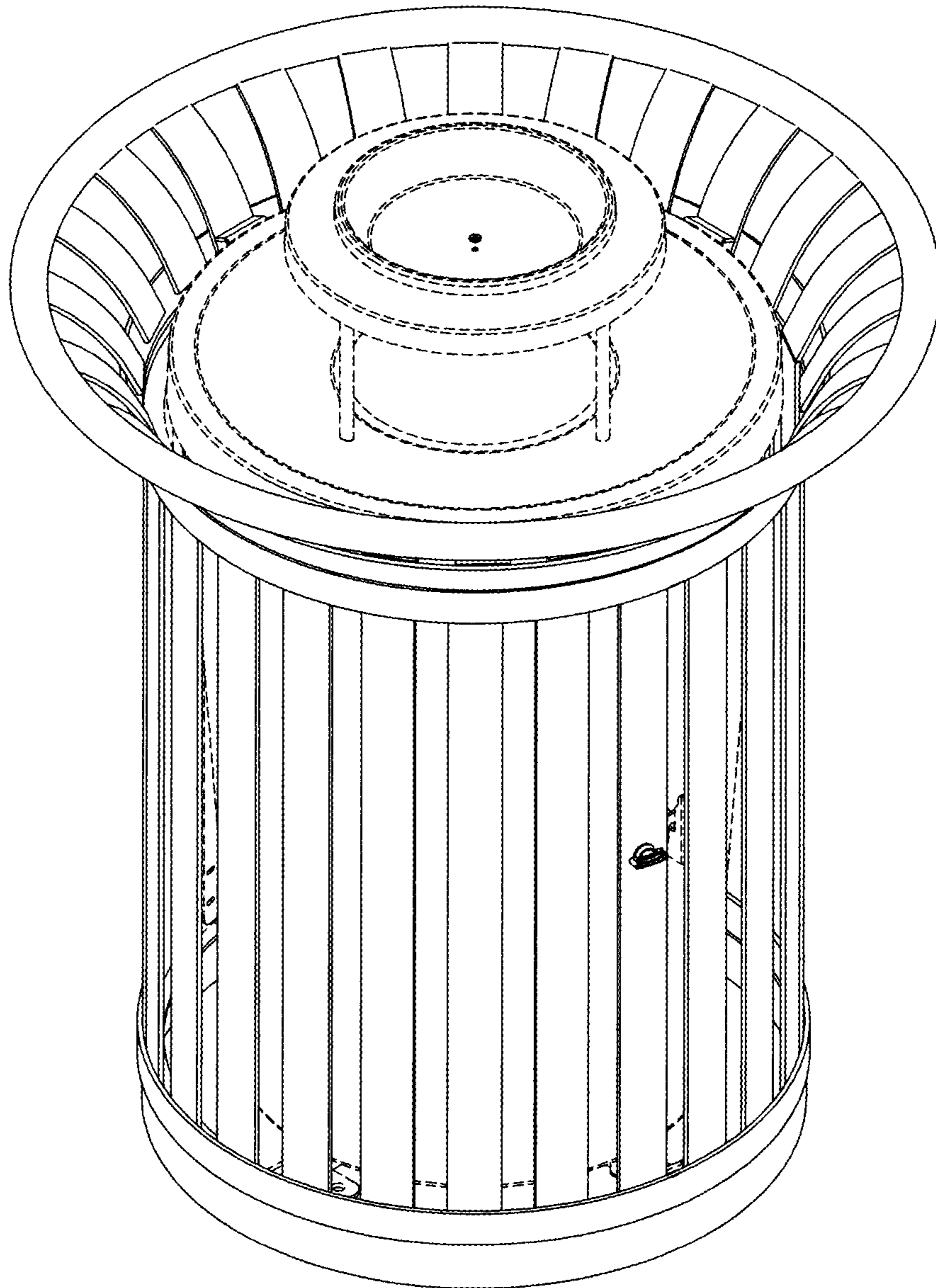


Fig. 10