



US00D817578S

(12) **United States Design Patent** (10) **Patent No.:** **US D817,578 S**
Thuma et al. (45) **Date of Patent:** **** May 8, 2018**

(54) **TRASH CAN**
(71) Applicant: **Suncast Technologies, LLC**, Palm Beach Gardens, FL (US)
(72) Inventors: **Michael Thuma**, La Grange, IL (US); **Torrence Anderson**, Overland Park, KS (US); **Michael R. Vogler**, Oswego, IL (US)

D523,604 S * 6/2006 Wiley D34/5
7,073,677 B2 * 7/2006 Richardson B65F 1/02
220/4.32
D655,473 S * 3/2012 Moore D34/11
D681,299 S * 4/2013 Lai D19/77
D766,538 S * 9/2016 Thuma D34/7
D771,343 S * 11/2016 Colwell D34/6
D785,892 S * 5/2017 Lee D34/7

* cited by examiner

(73) Assignee: **Suncast Technologies, LLC**, Palm Beach Gardens, FL (US)

Primary Examiner — Cynthia Ramirez

(74) *Attorney, Agent, or Firm* — McHale & Slavin, P.A.

(**) Term: **15 Years**

(57) **CLAIM**

The ornamental design for a trash can, as shown and described.

(21) Appl. No.: **29/592,532**

DESCRIPTION

(22) Filed: **Jan. 31, 2017**

(51) **LOC (11) Cl.** **09-09**

(52) **U.S. Cl.**
USPC **D34/1**

(58) **Field of Classification Search**
USPC D34/1, 5, 6, 8; 220/908, 908.1
CPC B65F 1/163; B65F 1/06; B65F 1/08; B65F 1/16; B65F 1/1615
See application file for complete search history.

FIG. 1 is a top front left isometric view of the trash can of the present invention;
FIG. 2 is a top front right isometric view thereof;
FIG. 3 is a bottom left front isometric view thereof;
FIG. 4 is a bottom right front isometric view thereof;
FIG. 5 is a front view thereof;
FIG. 6 is a rear view thereof;
FIG. 7 is a left side view thereof;
FIG. 8 is a right side view thereof;
FIG. 9 is a top view thereof; and,
FIG. 10 is a bottom view thereof.

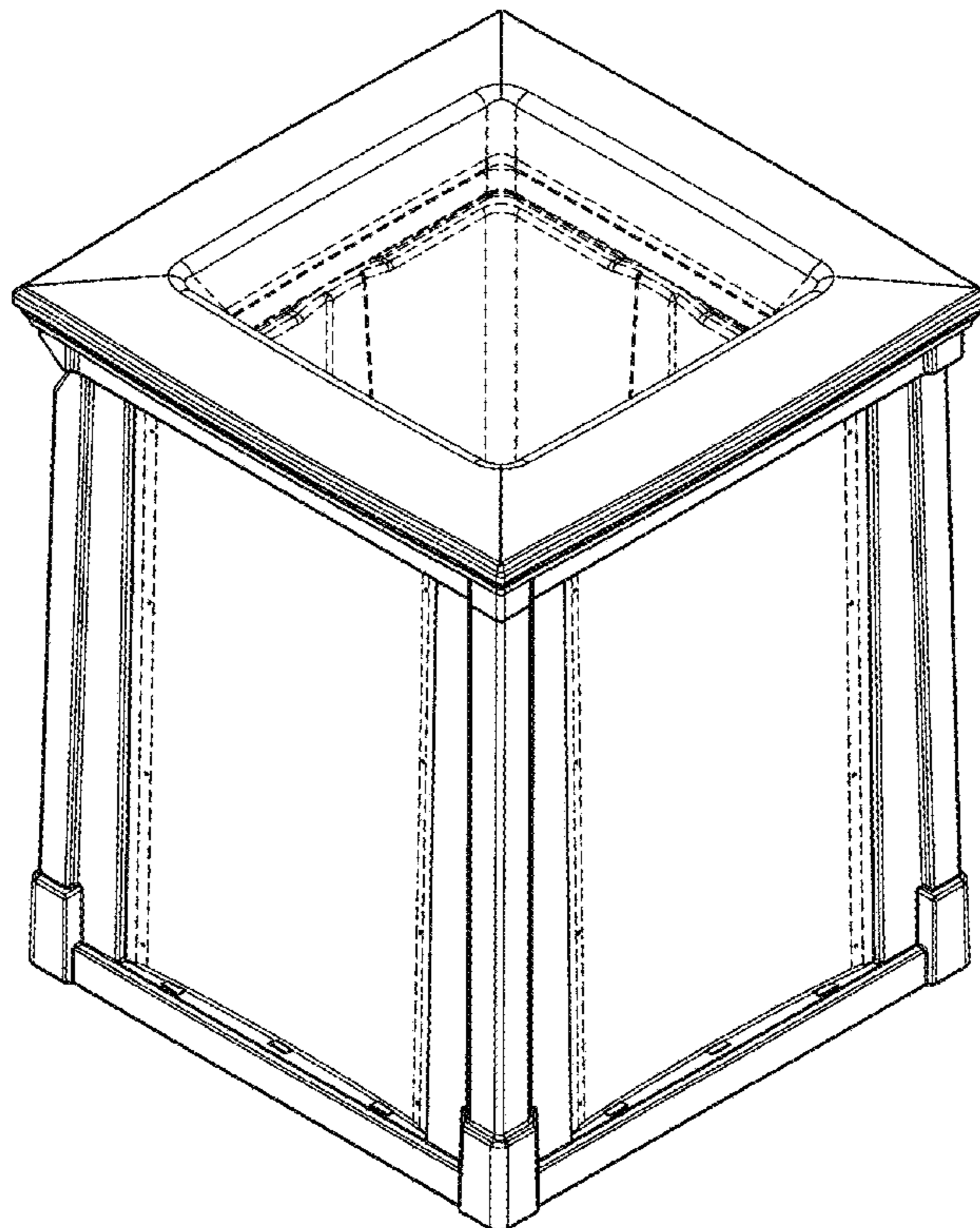
The portions of the trash can illustrated in broken lines form no part of the claim.

(56) **References Cited**

U.S. PATENT DOCUMENTS

D401,720 S * 11/1998 Newquist D34/1
D421,515 S * 3/2000 Slear D34/6
D421,824 S * 3/2000 Hornyak D34/1

1 Claim, 10 Drawing Sheets



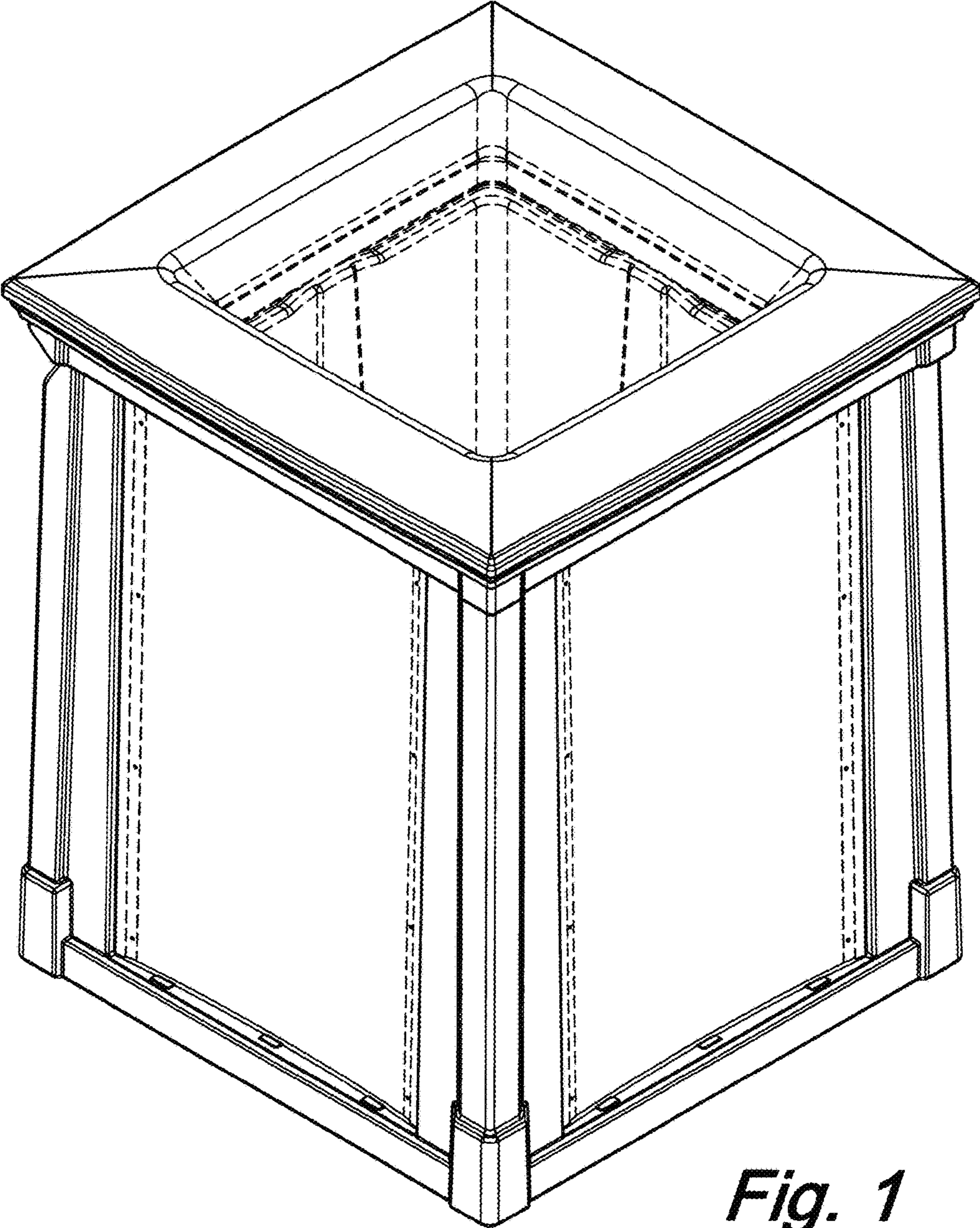


Fig. 1

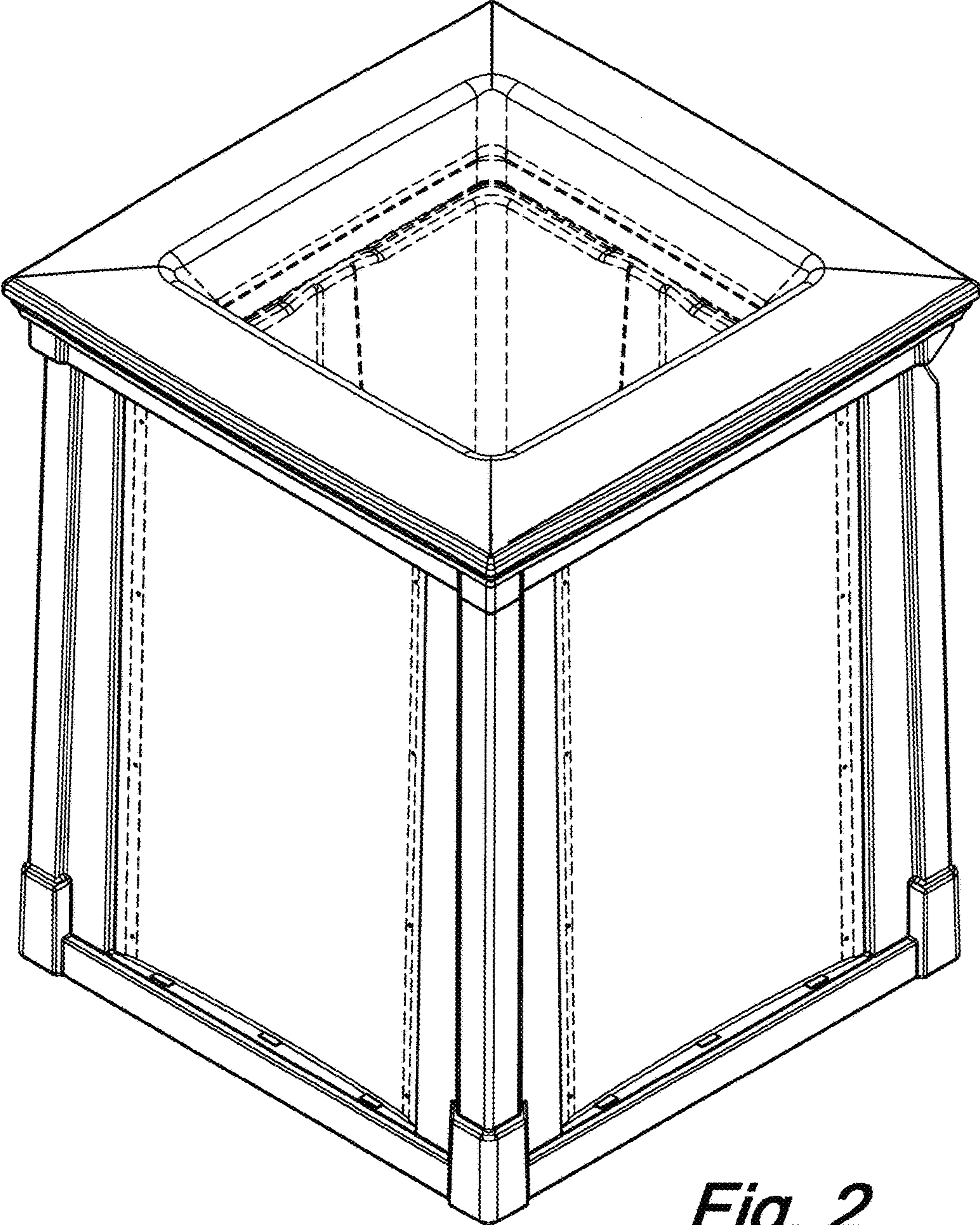


Fig. 2

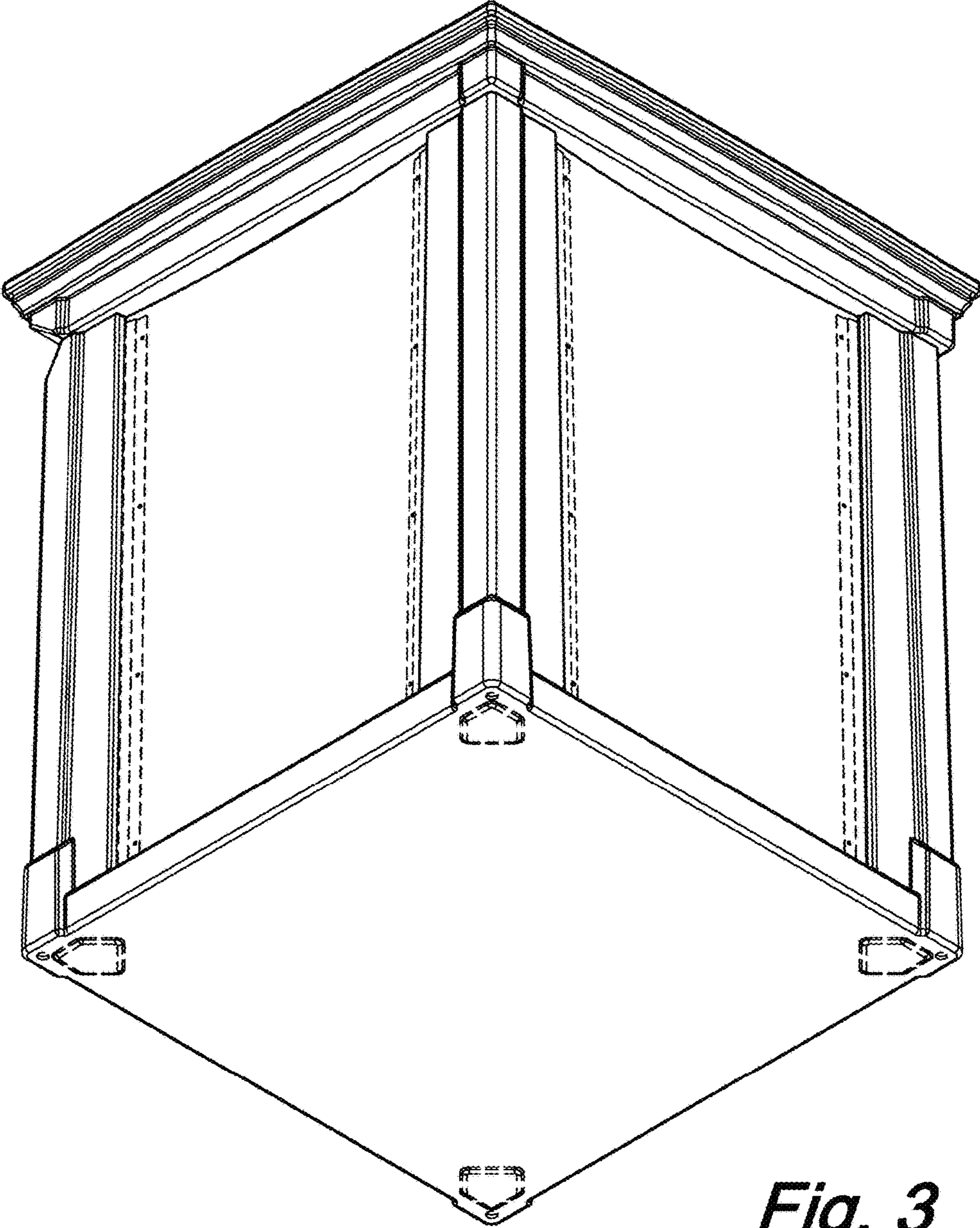


Fig. 3

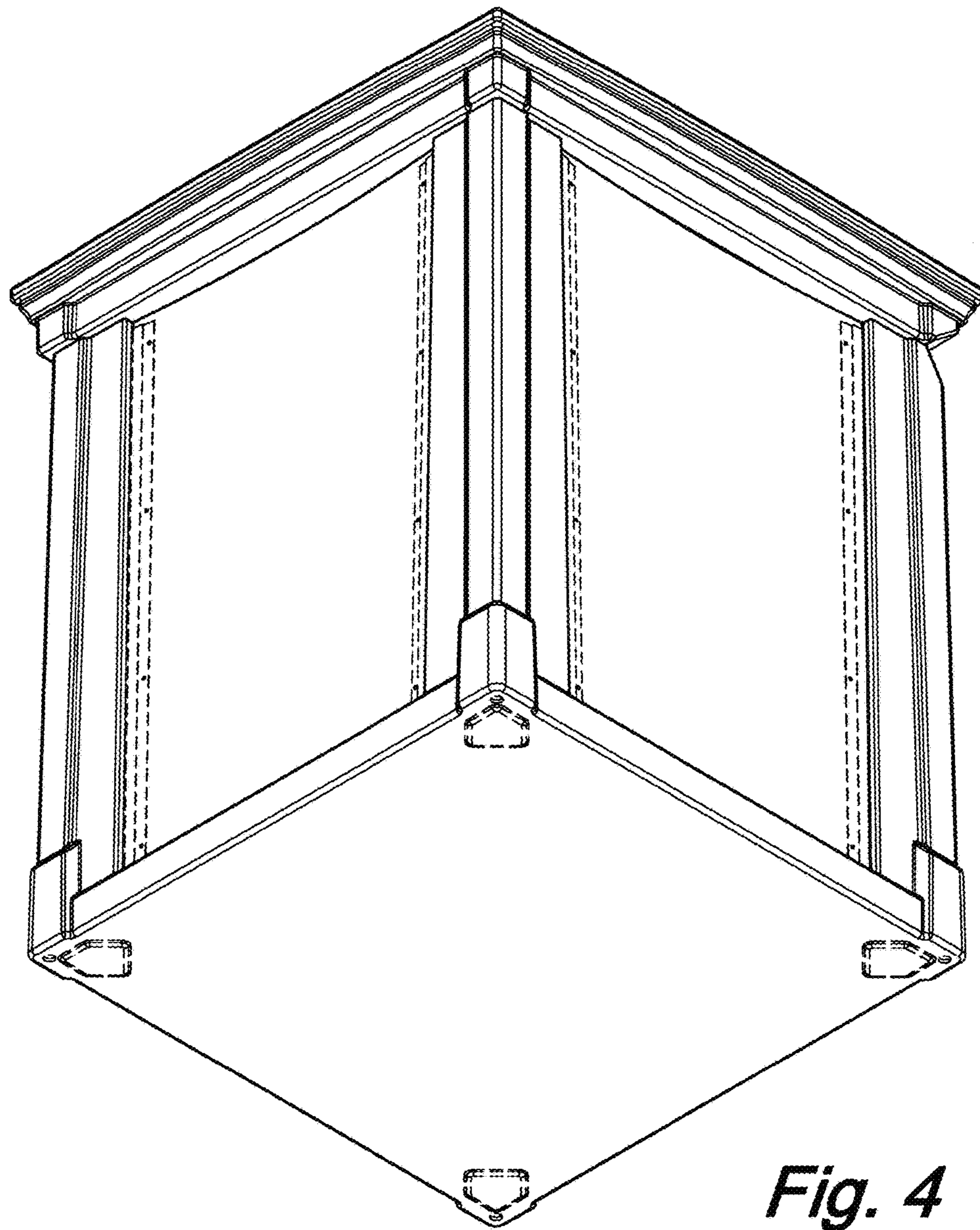


Fig. 4

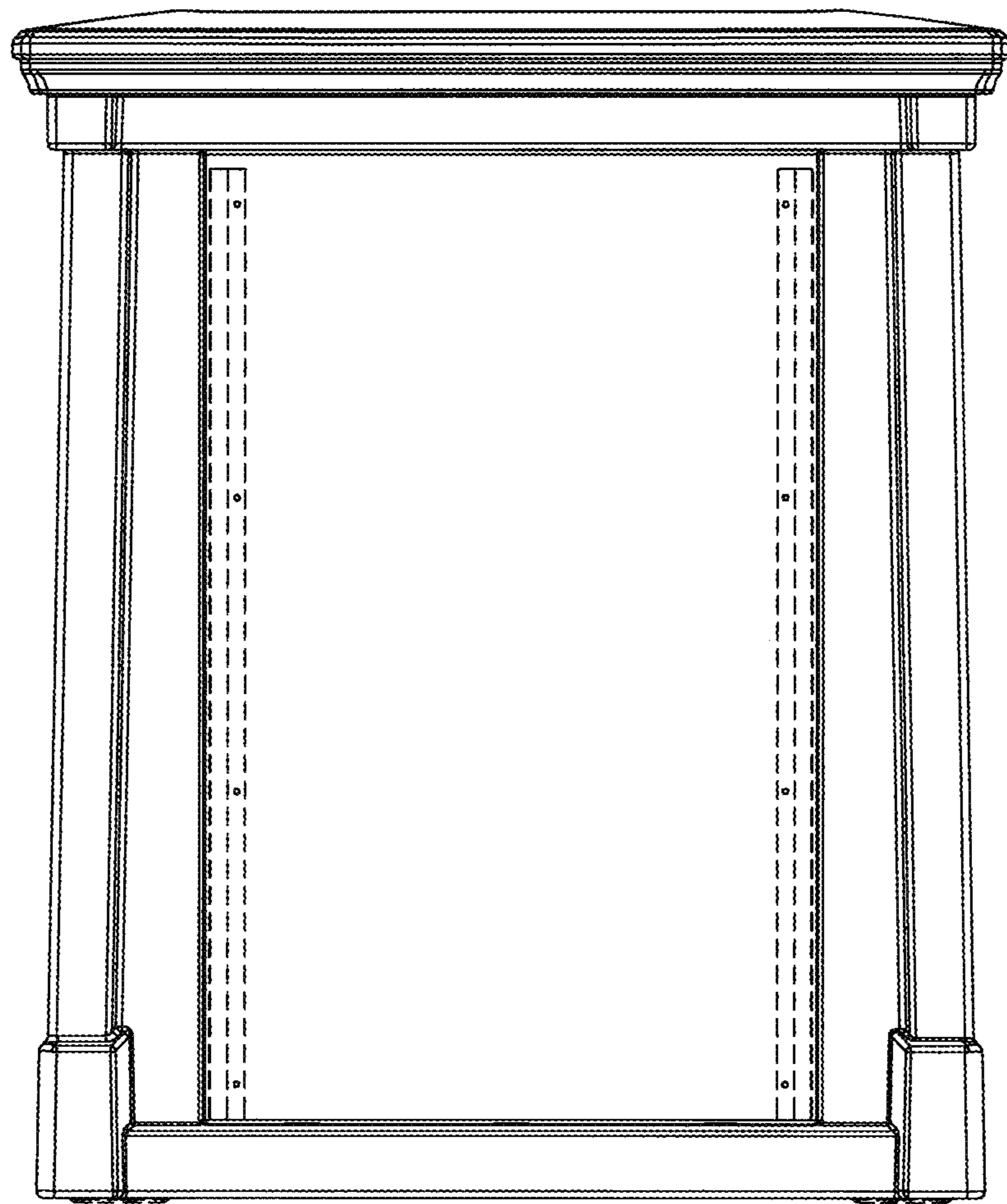


Fig. 5

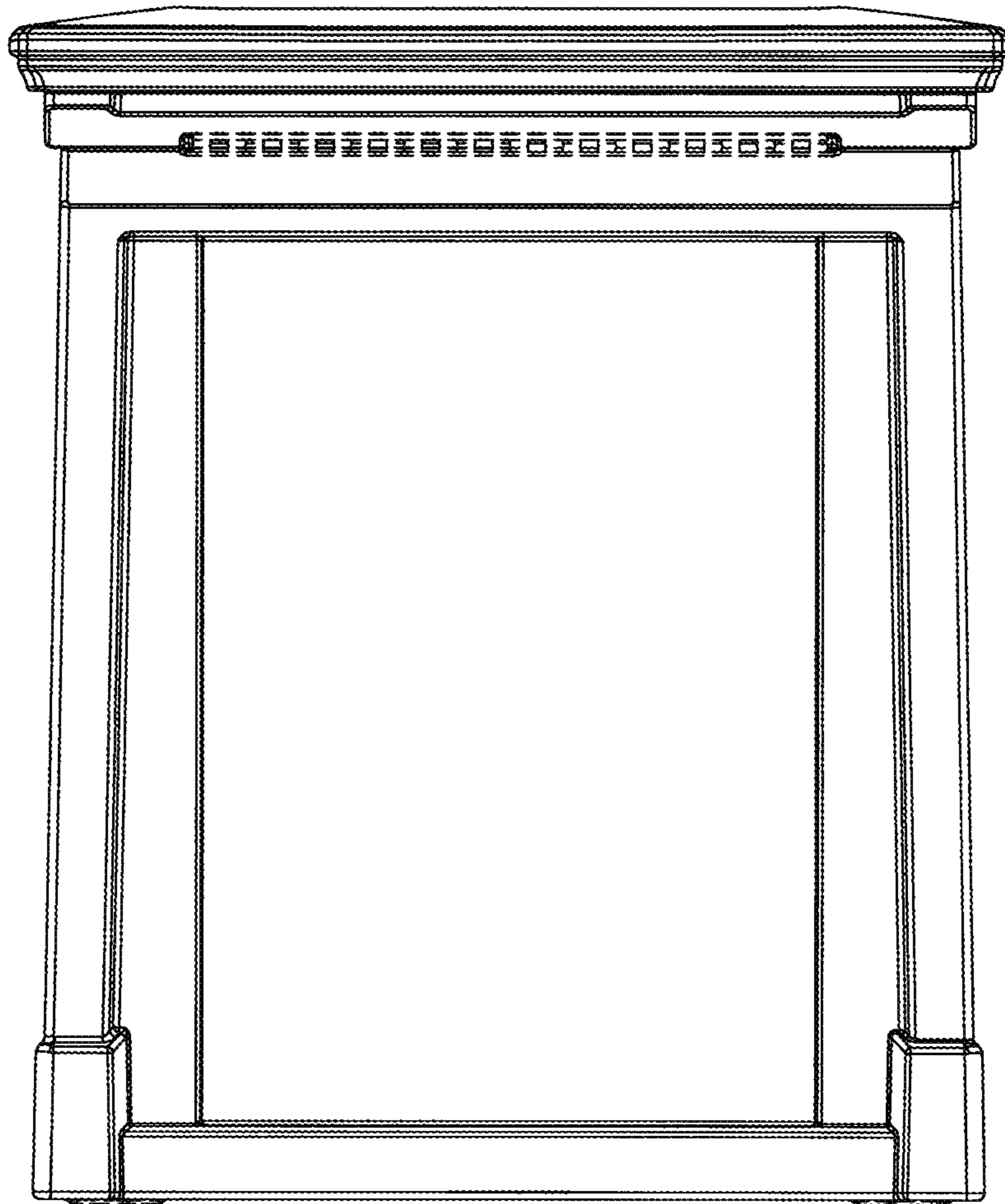


Fig. 6

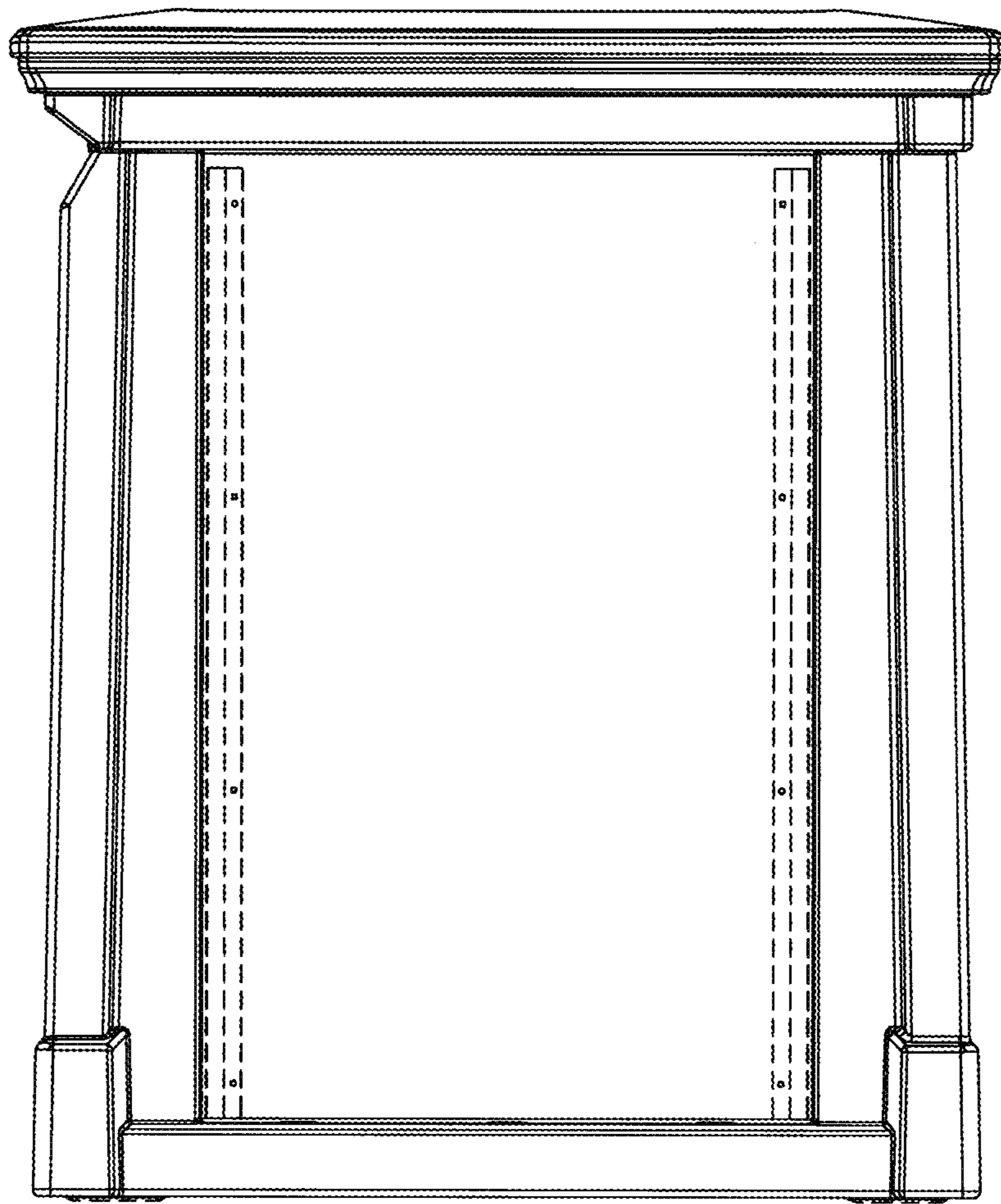


Fig. 7

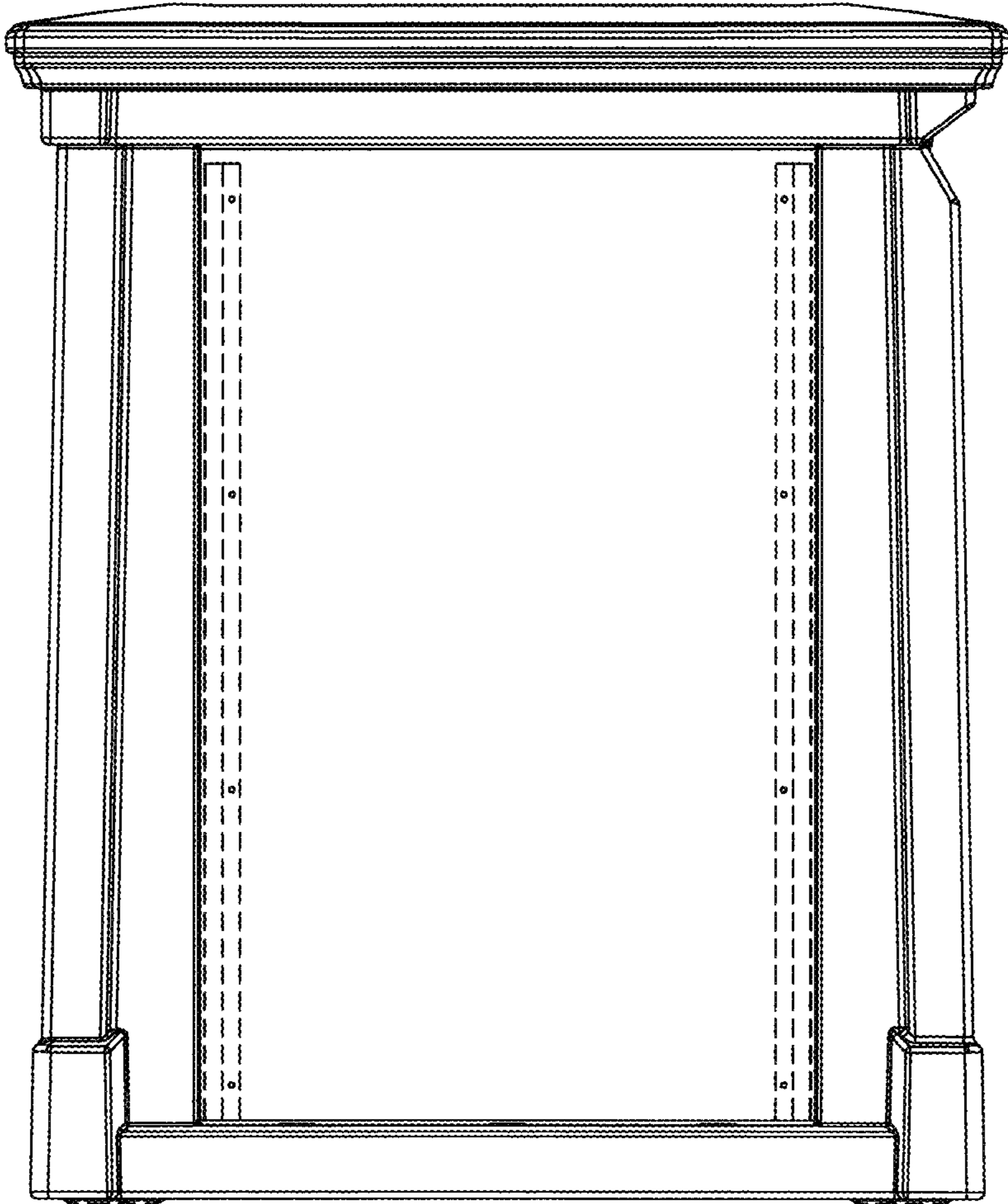


Fig. 8

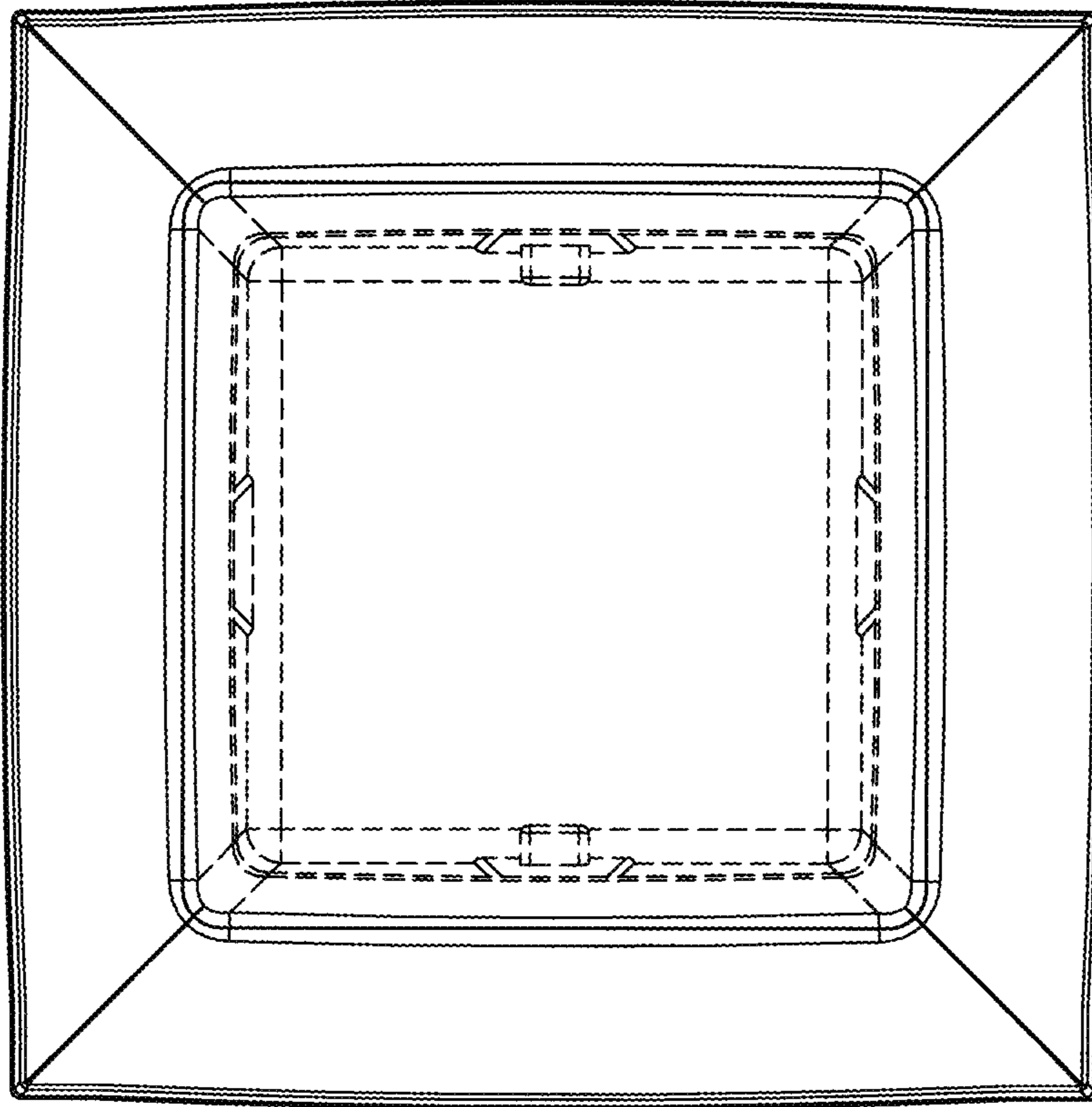


Fig. 9

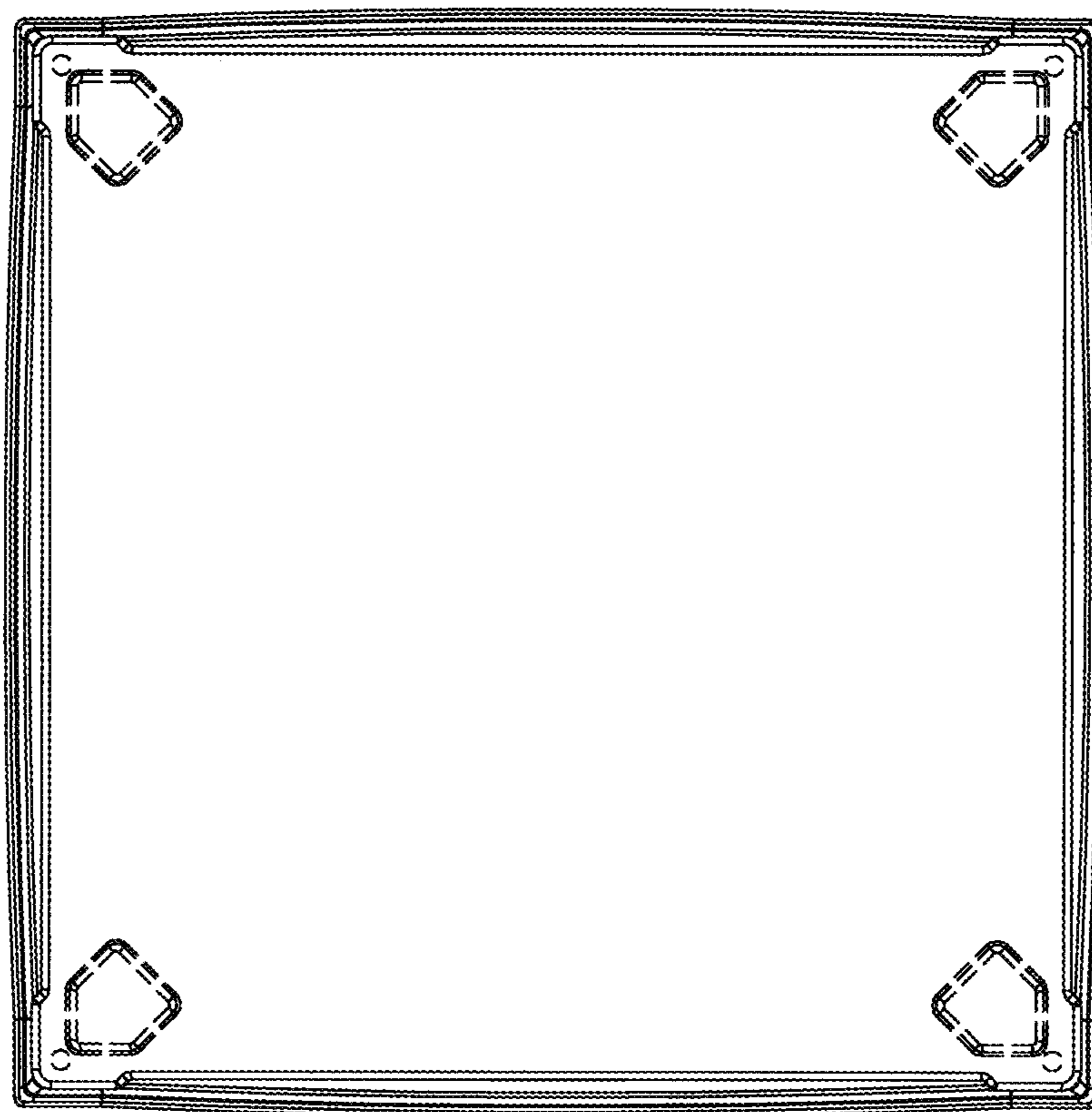


Fig. 10