



US00D817577S

(12) **United States Design Patent**
Cronkhite

(10) **Patent No.:** **US D817,577 S**
(45) **Date of Patent:** **** May 8, 2018**

(54) **INSULATED COMPOSTER**

(71) Applicant: **Greg Cronkhite**, Draper, SD (US)
(72) Inventor: **Greg Cronkhite**, Draper, SD (US)
(**) Term: **15 Years**

(21) Appl. No.: **29/587,815**

(22) Filed: **Dec. 15, 2016**

(51) **LOC (11) Cl.** **23-99**

(52) **U.S. Cl.**
USPC **D34/1; D34/6; D34/7**

(58) **Field of Classification Search**
USPC ... D15/10-12, 122, 123, 124-136, 138-140,
D15/144-146, 199; D22/146; D23/204;
D34/1-11
CPC C05F 17/00; C05F 17/02; C05F 17/0205;
C05F 17/0217; C05F 17/0223
See application file for complete search history.

(56) **References Cited**

U.S. PATENT DOCUMENTS

D221,023 S *	6/1971	Knecht	D15/144
D221,475 S *	8/1971	Norquest	D34/7
3,744,402 A *	7/1973	Piegza	A23L 3/14
				134/153
D254,619 S *	4/1980	Andrykovitz	D15/124
D307,434 S *	4/1990	Payack	D15/199
D357,778 S *	4/1995	Dalgarno	D34/1
D362,524 S *	9/1995	Fink	D34/1
5,589,391 A *	12/1996	Fink	C05F 17/0205
				220/4.09
5,762,225 A *	6/1998	Byrd	C05F 17/0205
				220/6
D642,350 S *	7/2011	Messalem	D34/1
D717,653 S *	11/2014	Chur	D9/435
2006/0154362 A1 *	7/2006	Sundberg	C05F 17/0205
				435/290.3
2012/0244612 A1 *	9/2012	Good	C05F 17/0223
				435/290.1
2013/0052726 A1 *	2/2013	Ashby	C05F 17/0205
				435/290.3

FOREIGN PATENT DOCUMENTS

CA	2435017	A1 *	1/2004	C05F 17/0223
CA	2436322	A1 *	7/2004	C05F 17/0205
CA	2439847	A1 *	3/2005	C05F 17/0205
EP	0354443	A2 *	2/1990	C05F 17/0223
GB	2397060	A *	7/2004	A01K 67/0332

OTHER PUBLICATIONS

Compost Wizard Insulated Composter Single, posted on jet.com, no posted date given, no production date given, [online], [site visited Aug. 30, 2017], Available from Internet, <URL: https://jet.com/product/detail/d548ac53dd6e4975aba5a71948f4e094? jcmp=pla:ggl:NJ_dur_Gen_Patio_Garden_a1:Patio_Garden_Landscaping_Lawn_Care_Compost_Bins_Accessories_a1:na:PL.*

(Continued)

Primary Examiner — Melanie H Tung
Assistant Examiner — Fritzgerald L Butac
(74) *Attorney, Agent, or Firm* — Richard K Thomson

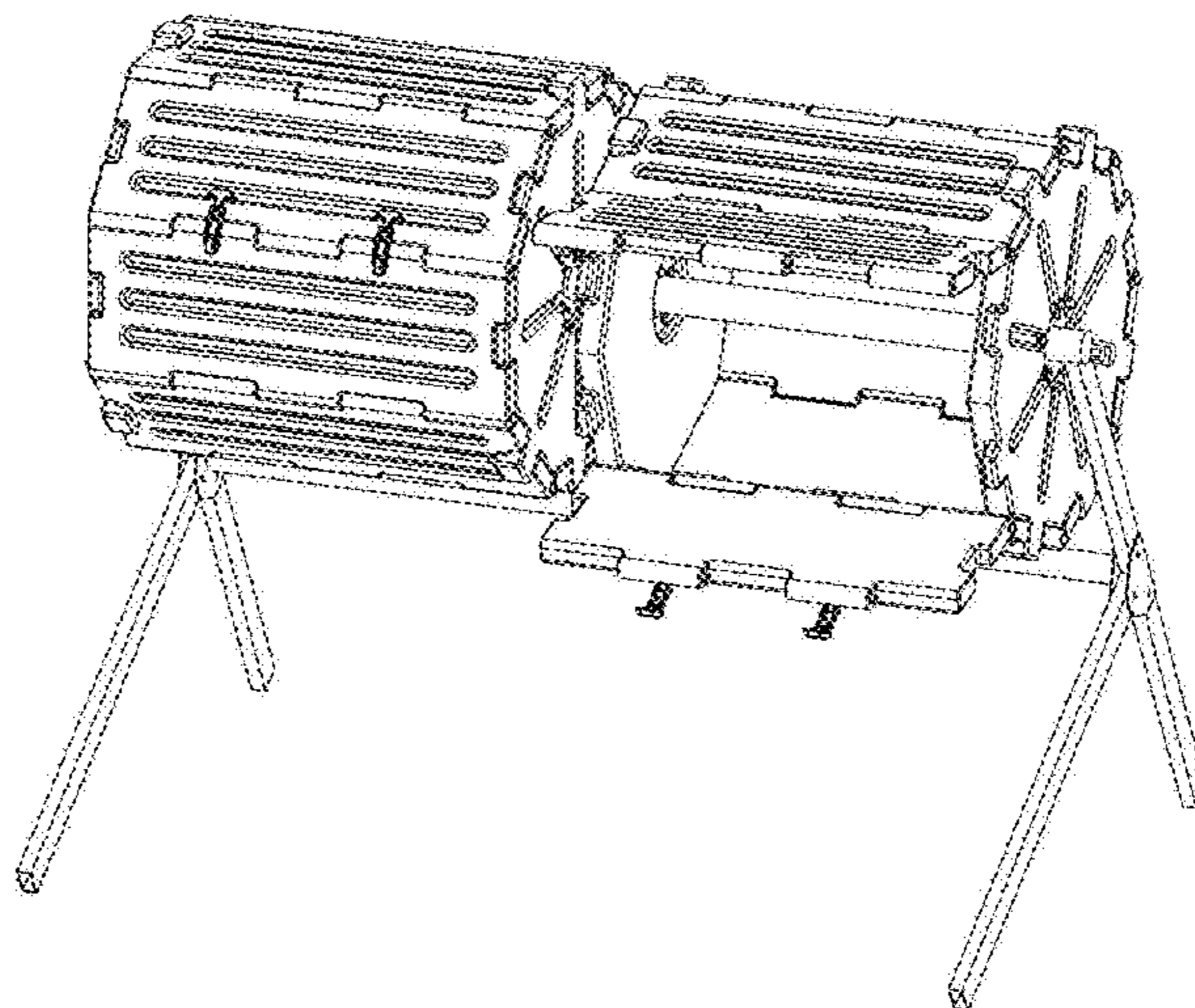
(57) **CLAIM**

The ornamental design for an insulated composter, as shown and described.

DESCRIPTION

FIG. 1 is a front perspective view of the insulated composter of the present invention;
FIG. 2 is a top view of the insulated composter;
FIG. 3 is a front view of the insulated composter;
FIG. 4 is a right side view of the insulated composter;
FIG. 5 is a left side view of the insulated composter;
FIG. 6 is a bottom view of the insulated composter; and,
FIG. 7 is a back view of the insulated composter.

1 Claim, 7 Drawing Sheets



(56)

References Cited

OTHER PUBLICATIONS

Jora 33 Gallon 125 Compost Tumbler, posted on walmart.com, earliest review dated Feb. 27, 2012, no production date given, [online], [site visited Aug. 30, 2017], Available from Internet, <URL: <https://www.walmart.com/ip/Jora-33-Gallon-125-Compost-Tumbler/17457765?wmlspartner=wlpa&selectedSellerId=984&adid=2222222227014930883&w10=&w11=g&w12=c&w13=>.*

Forest City Yimby Composte Tumbler with Two Chambers, posted on hayneedle.com, earliest review posted 2013, no production date given, [online], [site visited Aug. 30, 2017], Available from Internet, <URL: https://www.hayneedle.com/product/forestcitytumblingcomposterwithtwochambers.cfm?source=channel_intelligence_shopzilla_hayneedle&szredirectid=150413.*

Dual-Batch Composte Tumbler, posted on gardeners.com, earliest review posted May 13, 2011, no production date given, [online], [site visited Aug. 30, 2017], Available from Internet, <URL: <http://www.gardeners.com/buy/dual-batch-compost-tumbler/39-652.html>>.*

* cited by examiner

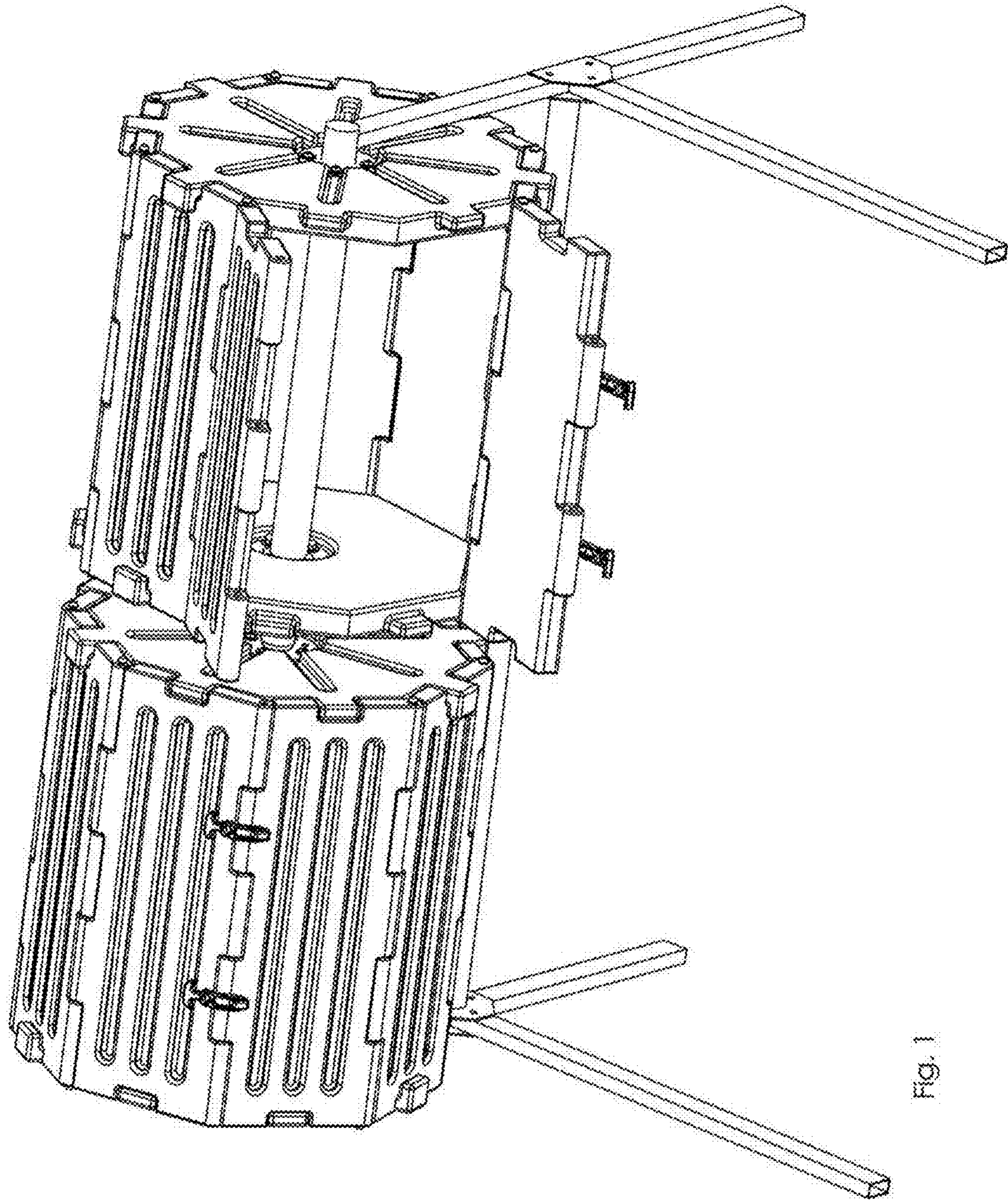


FIG. 1

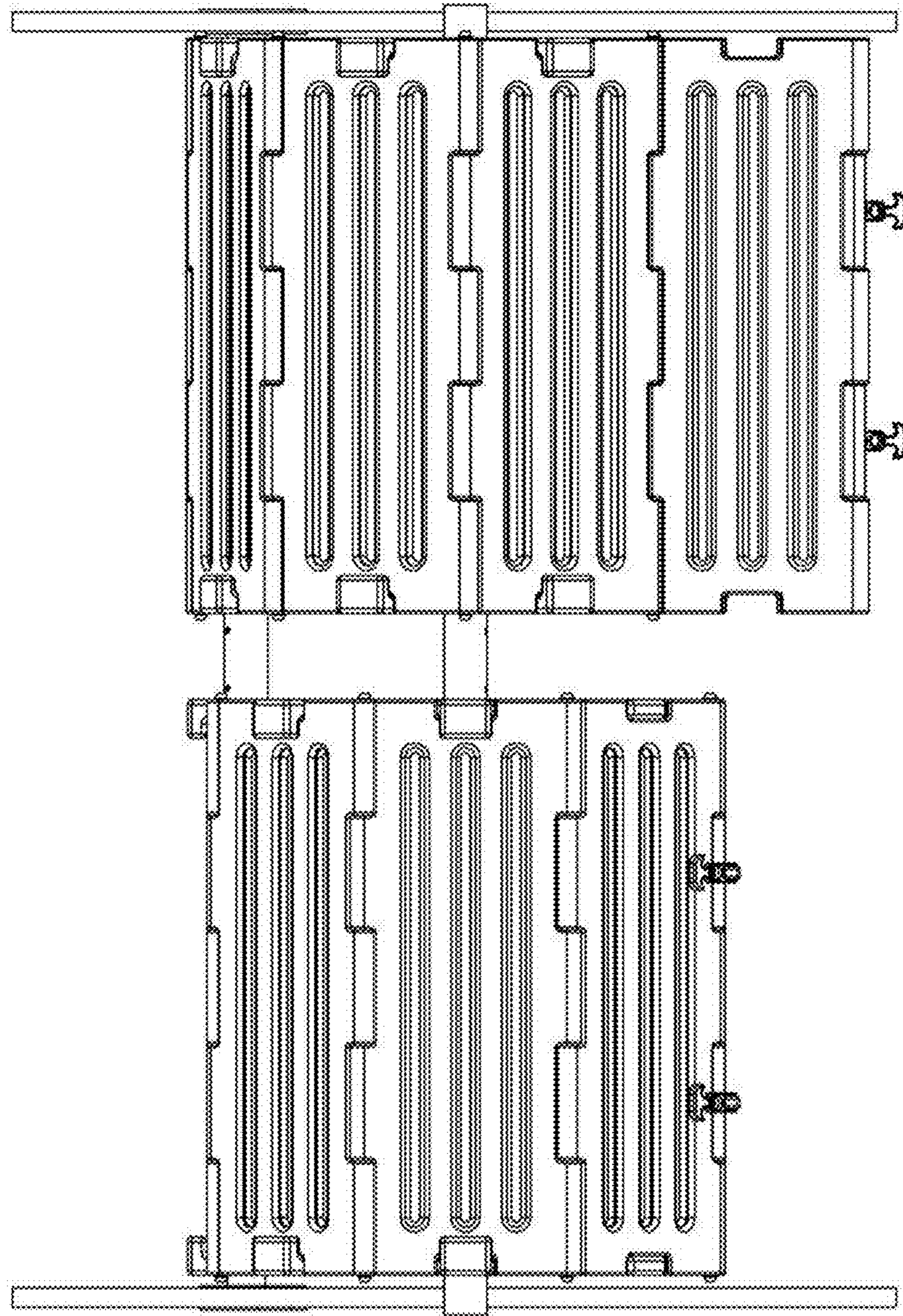


Fig. 2

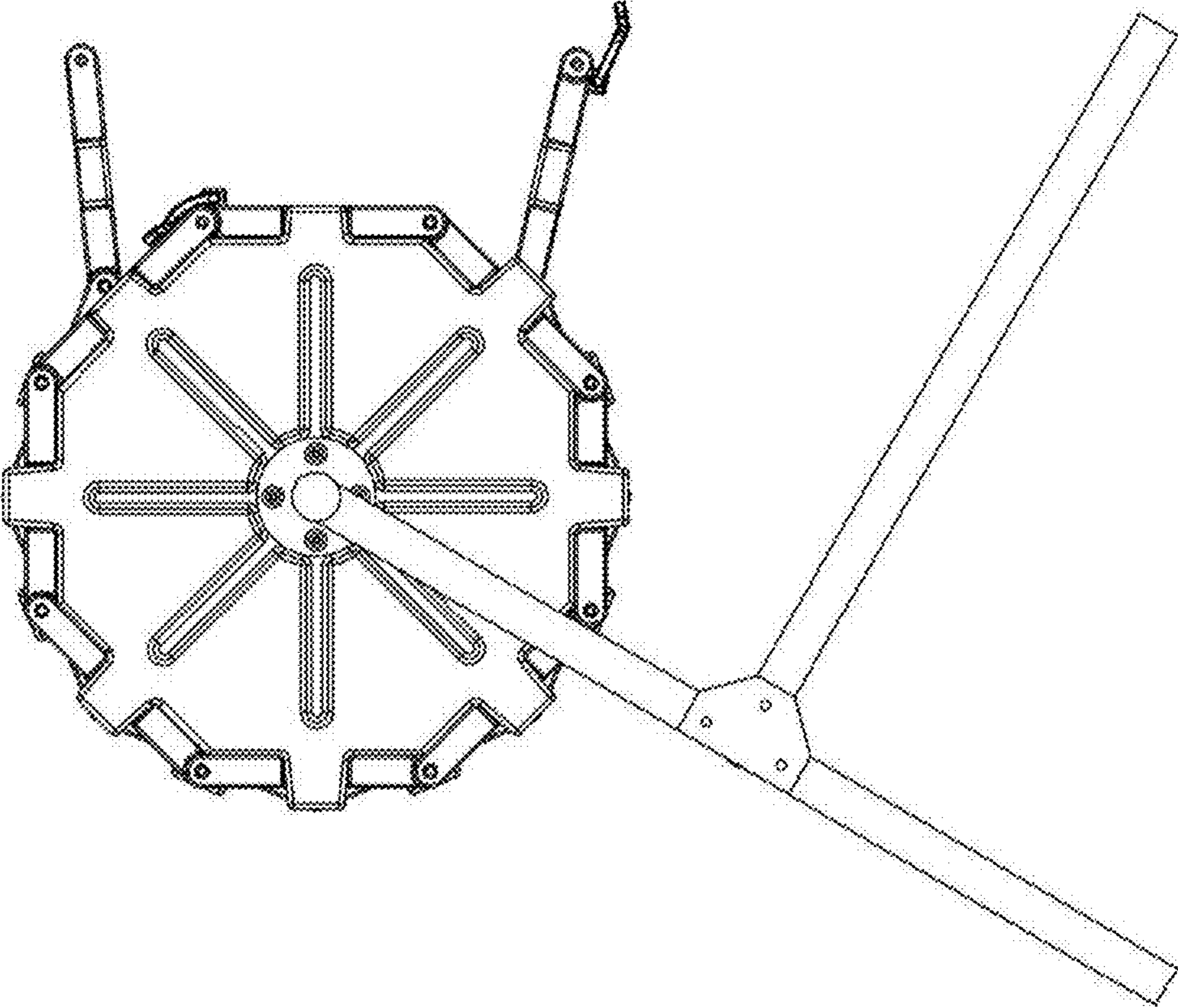


FIG. 3

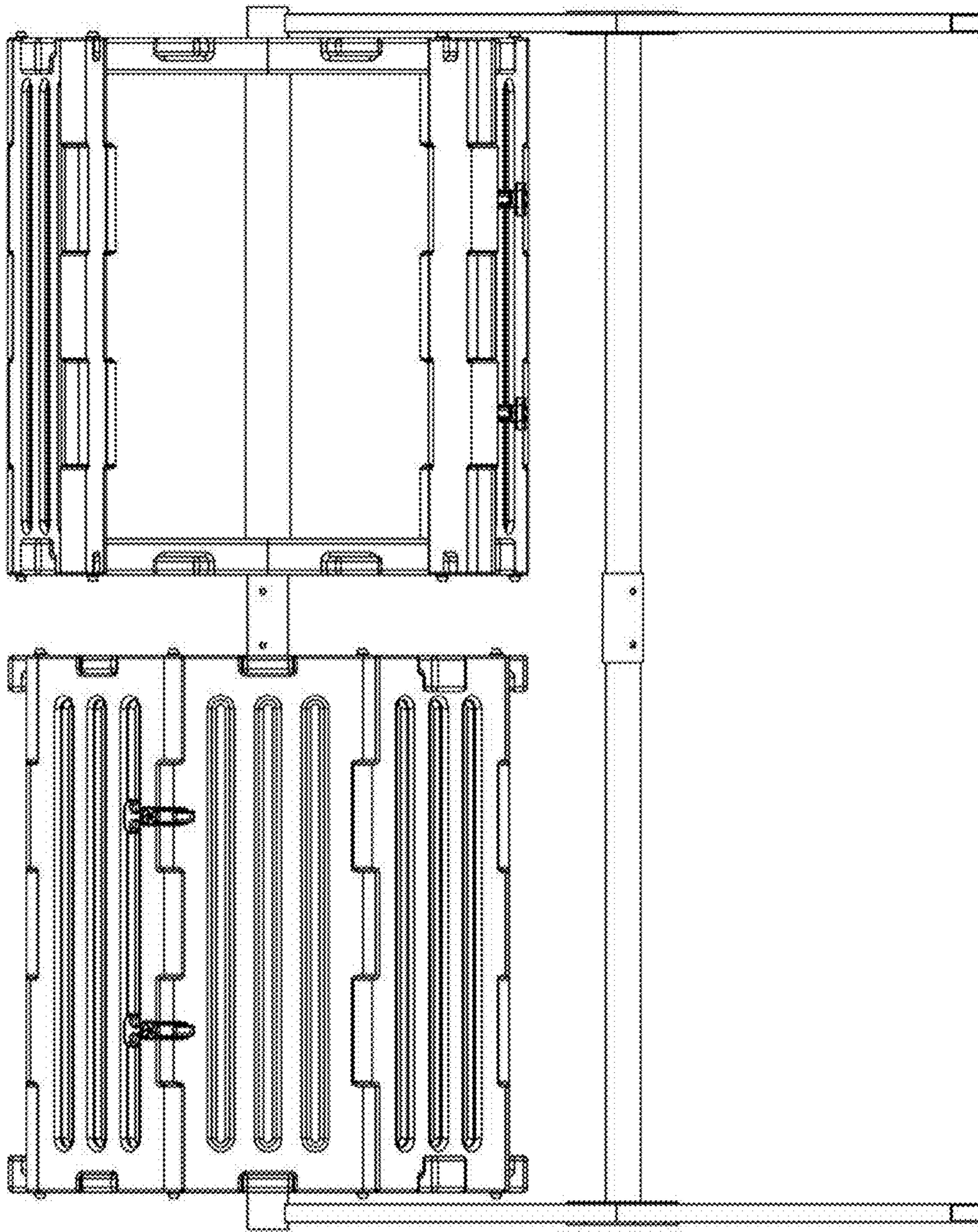


FIG. 4

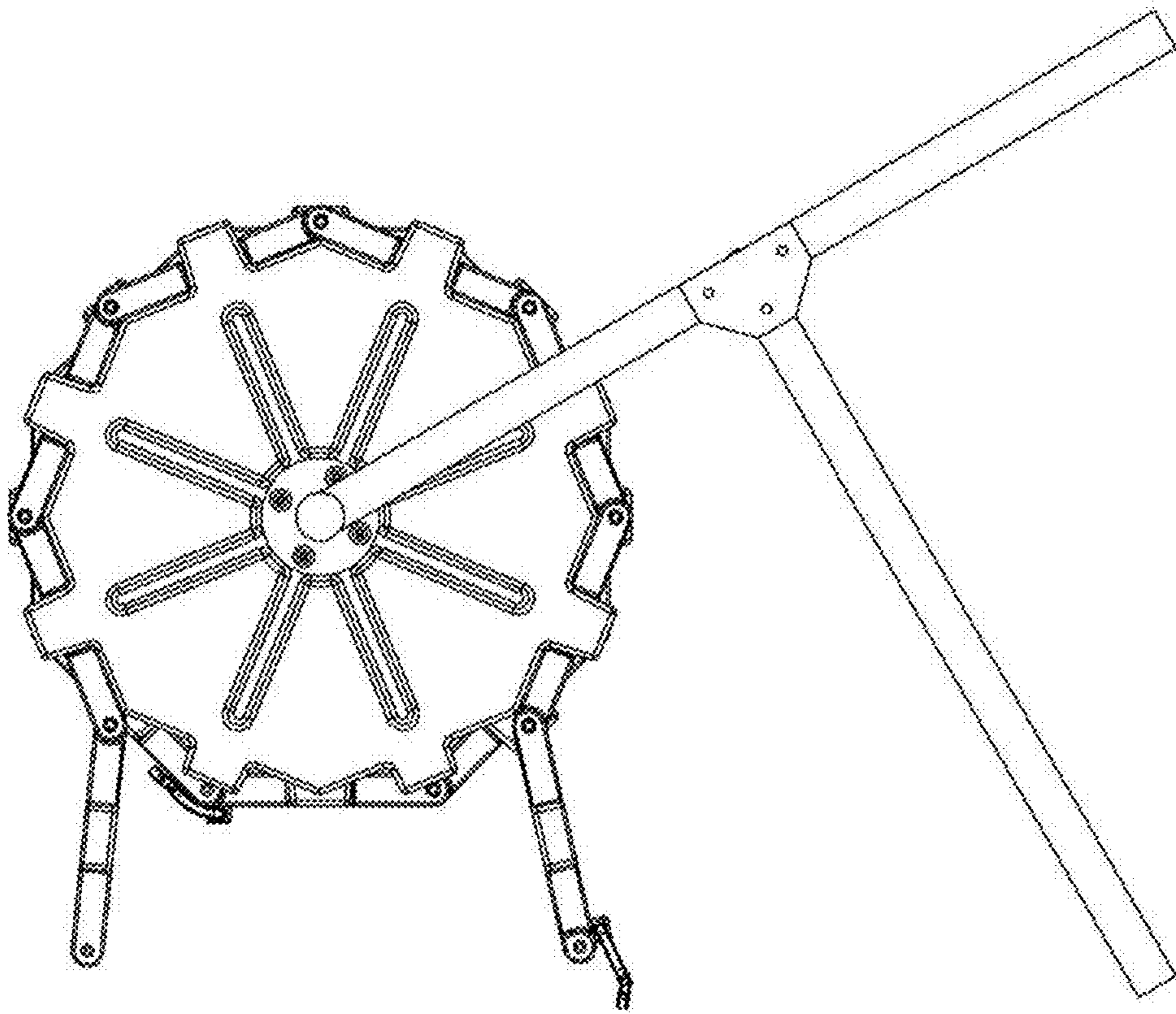


FIG. 5

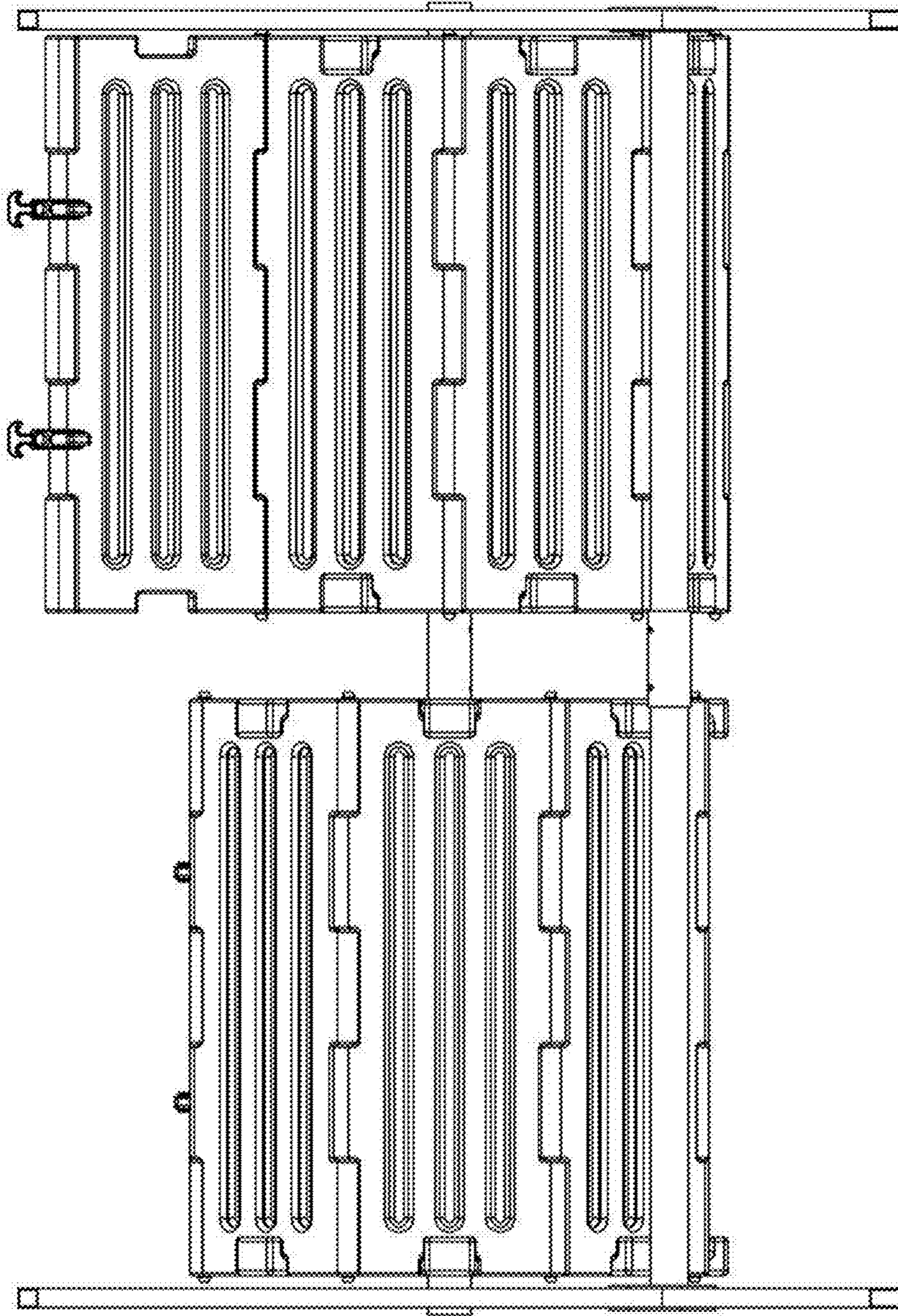


FIG. 6

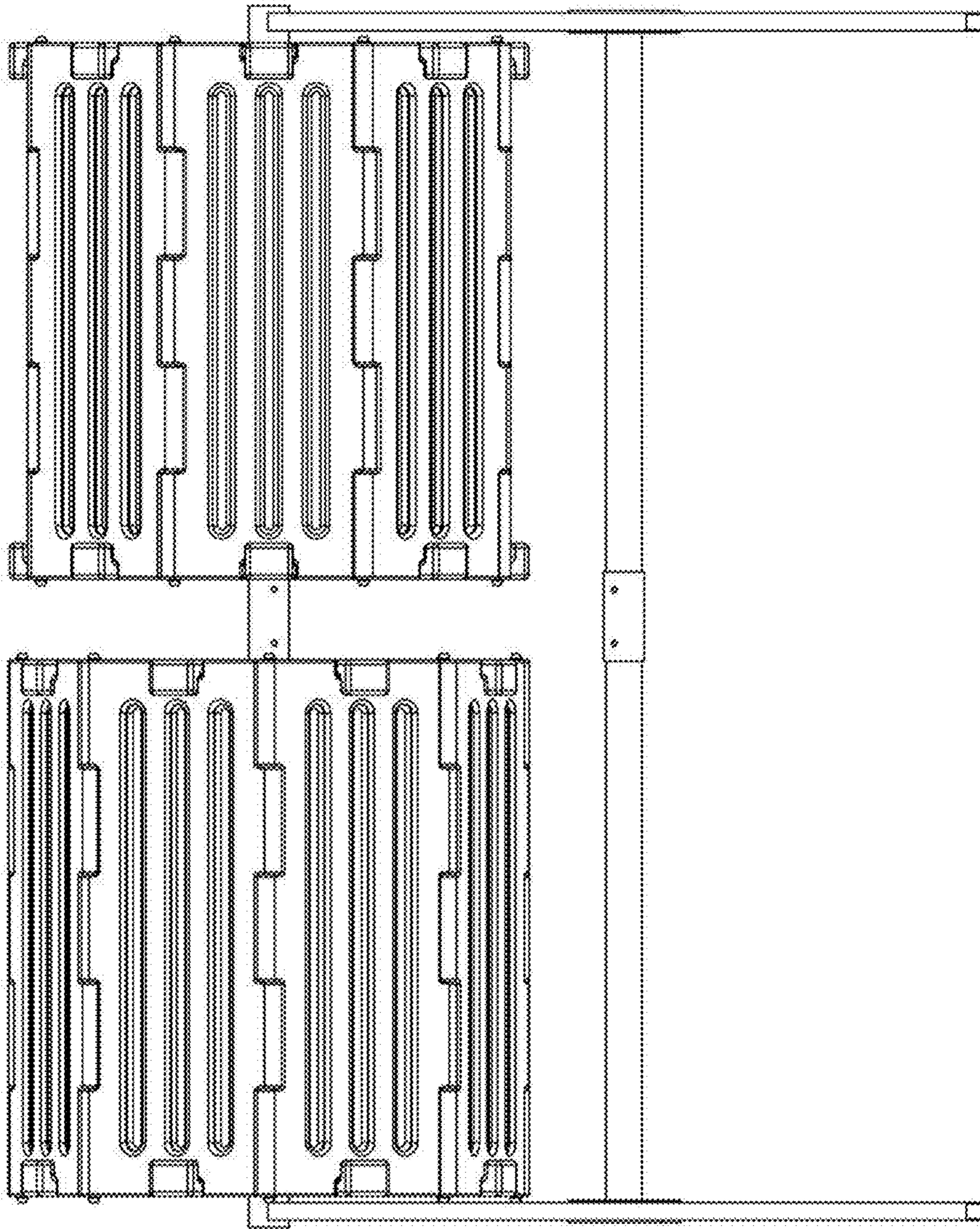


Fig. 7