



US00D817575S

(12) **United States Design Patent**
Rane et al.

(10) **Patent No.:** **US D817,575 S**

(45) **Date of Patent:** **** May 8, 2018**

(54) **UTILITY WRAP**

(71) Applicant: **YETI Coolers, LLC**, Austin, TX (US)

(72) Inventors: **Mark Carlson Rane**, Austin, TX (US);
Donald Edward Desroches, Austin, TX (US);
Roy Joseph Seiders, Austin, TX (US);
Tobias Hotchkiss, Austin, TX (US)

(73) Assignee: **YETI Coolers, LLC**, Austin, TX (US)

(**) Term: **15 Years**

(21) Appl. No.: **29/598,183**

(22) Filed: **Mar. 23, 2017**

(51) **LOC (11) Cl.** **07-07**

(52) **U.S. Cl.**
USPC **D32/53**

(58) **Field of Classification Search**
USPC D32/53, 53.1, 54; D22/136; D3/201,
D3/315; 206/372, 373, 349; 15/264;
220/904; D11/200, 212
CPC B25H 3/02
See application file for complete search history.

(56) **References Cited**

U.S. PATENT DOCUMENTS

143,959 A *	10/1873	Brown	A47L 13/58	15/264
1,486,676 A	3/1924	Nilssen			
1,781,583 A	11/1930	Hodgson			
2,018,271 A	10/1935	Samuel			
2,448,894 A	9/1948	Laus			
D165,621 S *	1/1952	West	2/336	
2,757,405 A	8/1956	Edwards			
3,535,382 A	10/1970	Brown et al.			
4,356,930 A	11/1982	Roper			
4,524,882 A	6/1985	Buc			
D289,455 S	4/1987	Freiler			
4,667,843 A	5/1987	Galer			
D296,525 S	7/1988	Siegel			

4,765,472 A * 8/1988 Dent A47J 47/18
206/373

4,767,015 A 8/1988 Ho
4,887,735 A 12/1989 Illingworth
4,890,355 A 1/1990 Schulten
D306,272 S * 2/1990 Kruger D11/212
(Continued)

FOREIGN PATENT DOCUMENTS

CN 102849303 A 1/2013
CN 203186671 U 9/2013
(Continued)

OTHER PUBLICATIONS

“Utility Pail 5 Gallon by Seachoice Products,” published prior to Feb. 27, 2017, retrieved from https://www.amazon.com/Utility-Pail-Gallon-Seachoice-Products/dp/B002IZFOGK/ref=sr_1_79?e=UTF8&qid=1483581180&sr=8-79&keywords=utility+pail on Jun. 8, 2017.

(Continued)

Primary Examiner — Robin V Webster

(74) *Attorney, Agent, or Firm* — Banner & Witcoff, Ltd.

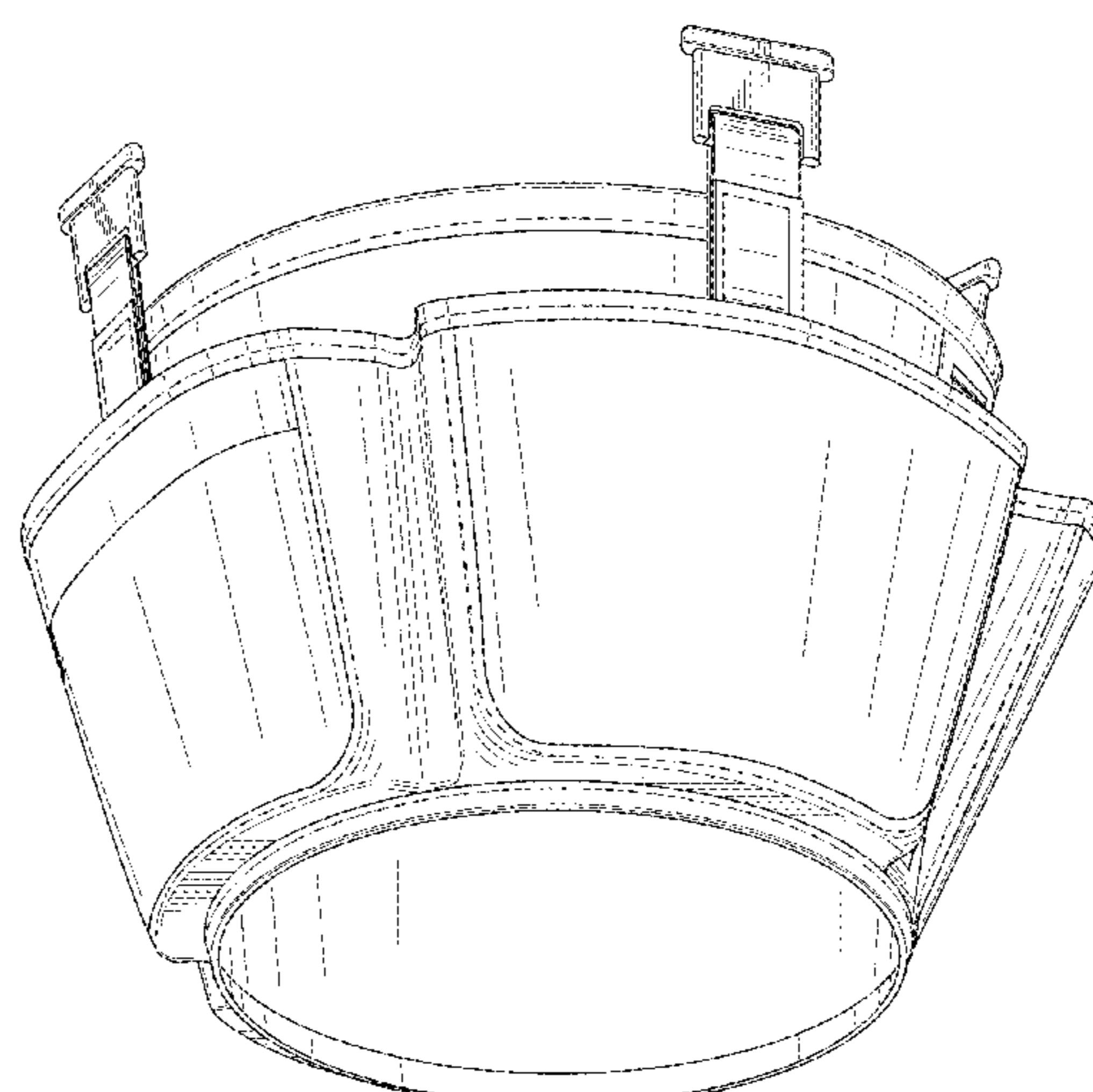
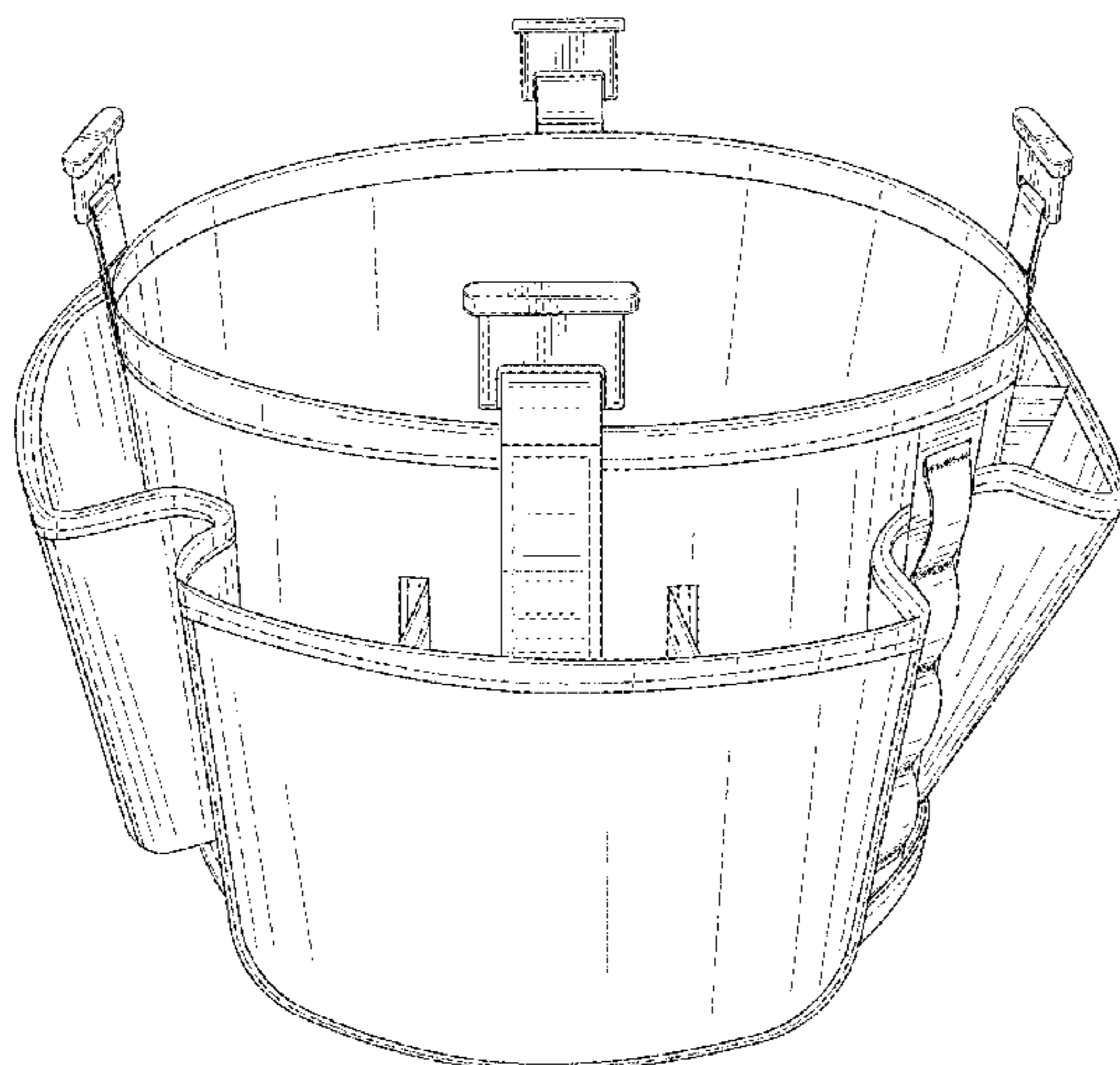
(57) **CLAIM**

The ornamental design for a utility wrap, as shown and described.

DESCRIPTION

FIG. 1 is a top, front perspective view of a utility wrap showing our new design;
FIG. 2 is a bottom, front, left perspective view thereof;
FIG. 3 is a top view thereof;
FIG. 4 is a bottom view thereof;
FIG. 5 is a front view thereof;
FIG. 6 is a rear view thereof;
FIG. 7 is a right side view thereof; and,
FIG. 8 is a left side view thereof.

1 Claim, 8 Drawing Sheets



US D817,575 S

(56)

References Cited

U.S. PATENT DOCUMENTS

4,911,295	A	3/1990	Venegoni	
D307,342	S	4/1990	Giallourakis	
4,993,551	A	2/1991	Lindsay	
5,158,193	A	10/1992	Chen	
5,174,447	A	12/1992	Fleming	
5,238,135	A	8/1993	Landis	
D345,237	S *	3/1994	Stein	D32/53
D352,143	S	11/1994	Arshinoff	
5,364,148	A	11/1994	Bartocci	
D354,596	S *	1/1995	Dancyger	D32/53
D355,062	S *	1/1995	Maire	D32/53
D355,735	S	2/1995	Shaffer et al.	
5,411,307	A	5/1995	Roberts	
D362,181	S	9/1995	Meyers et al.	
D365,506	S	12/1995	Spitere	
D371,185	S	6/1996	Mullins	
D376,454	S *	12/1996	Fierek	D3/905
D386,341	S	11/1997	Walker	
D389,058	S	1/1998	Landis	
5,704,496	A	1/1998	Latta	
5,730,309	A	3/1998	Jiradejnunt et al.	
5,738,401	A	4/1998	Fan	
D396,912	S *	8/1998	Maire	D32/53
5,816,439	A	10/1998	Lovell et al.	
5,833,095	A	11/1998	Russell et al.	
D402,986	S	12/1998	Doak	
5,860,559	A	1/1999	Wang	
5,873,482	A	2/1999	Conti	
5,921,017	A	7/1999	Clark et al.	
D414,337	S *	9/1999	Hubert	D3/222
5,971,200	A	10/1999	Reynolds	
D425,600	S	5/2000	Pas et al.	
6,059,109	A	5/2000	Stein	
6,085,902	A	7/2000	Fang	
6,151,910	A	11/2000	Hazen	
6,189,697	B1	2/2001	Davis	
6,257,440	B1	7/2001	Perkins et al.	
D446,617	S *	8/2001	Urbanski	D32/53
6,315,310	B1 *	11/2001	Hurt	B62B 1/264 206/373
6,336,255	B1	1/2002	Gallup	
D454,812	S *	3/2002	Luk	D11/212
6,533,227	B1	3/2003	Rom	
6,536,590	B1 *	3/2003	Godshaw	B25H 3/00 206/373
D475,851	S *	6/2003	Leighton	D3/224
6,688,483	B2	2/2004	Davis	
6,823,562	B1	11/2004	Smith et al.	
6,926,165	B2	8/2005	Conti	
6,938,761	B2	9/2005	Nish	
6,964,348	B2	11/2005	Breimon et al.	
7,073,205	B2	7/2006	Finn	
7,090,088	B2	8/2006	von Holdt, Jr.	
7,195,119	B2 *	3/2007	Lungo	E06C 7/14 182/129
7,207,457	B2	4/2007	Schwarz	
7,232,169	B2	6/2007	Porter	
7,305,793	B1	12/2007	Macdonald	
D590,561	S	4/2009	Baltz	
7,805,813	B1	10/2010	Bunyard	
7,980,415	B2	7/2011	Crawley	
D649,726	S	11/2011	Manuel	
8,079,768	B1	12/2011	McLaughlin	
8,162,165	B2	4/2012	Reed	
8,181,819	B2	5/2012	Burney et al.	
8,210,391	B2	7/2012	Luburic	
8,251,269	B2	8/2012	Winneur	
8,308,010	B2	11/2012	Letica et al.	
8,342,350	B2	1/2013	Jain	
D677,895	S	3/2013	Camp, III	
D683,510	S	5/2013	Schick	
8,459,486	B2	6/2013	Luburic et al.	
D688,592	S	8/2013	Placencia	
8,615,921	B1	12/2013	Weems	
D698,939	S	2/2014	Wainwright et al.	

8,662,300	B1	3/2014	Arena	
8,714,403	B2	5/2014	Amprimo	
8,806,803	B1	8/2014	Mitchell et al.	
8,844,717	B1 *	9/2014	Ross	B25H 3/00 182/129
8,863,982	B2	10/2014	Baltz et al.	
8,863,983	B2	10/2014	Meers et al.	
8,869,985	B2	10/2014	Schick	
D722,833	S	2/2015	Miller	
8,978,194	B1	3/2015	Lentine	
D728,882	S	5/2015	Tsai	
9,067,462	B1	6/2015	Pressler et al.	
D739,510	S	9/2015	Bullock	
D772,561	S	11/2016	Polunsky et al.	
9,533,789	B2	1/2017	Selina et al.	
2002/0003098	A1	1/2002	Bell	
2002/0088729	A1	7/2002	Urbanski	
2004/0045084	A1	3/2004	Klosterman	
2005/0051441	A1	3/2005	Lamar	
2005/0056557	A1	3/2005	Jennings et al.	
2005/0133521	A1	6/2005	Schwarz	
2005/0279654	A1	12/2005	Robles	
2006/0163894	A1	7/2006	Mishek et al.	
2007/0246959	A1	10/2007	Arcaro et al.	
2008/0105694	A1	5/2008	Chen	
2009/0301912	A1	12/2009	Cornell	
2011/0000919	A1	1/2011	Whalen	
2012/0085774	A1	4/2012	Luburic et al.	
2012/0279976	A1	11/2012	DeSanti et al.	
2013/0037559	A1	2/2013	Fierek	
2013/0048657	A1	2/2013	Heiser, Jr. et al.	
2013/0119078	A1	5/2013	Cygan	
2013/0248284	A1	9/2013	Nichols, Jr.	
2014/0102925	A1	4/2014	Jacobson et al.	
2014/0124520	A1	5/2014	Allan	
2014/0217095	A1	8/2014	Scivoletto	
2014/0326189	A1	11/2014	Jain	
2015/0001121	A1	1/2015	Pietruch et al.	
2015/0053705	A1	2/2015	Wilson et al.	
2015/0107149	A1	4/2015	Garrett	
2015/0217903	A1	8/2015	Mazyck, III	
2015/0225125	A1	8/2015	Martinisko	
2016/0228756	A1	8/2016	Siscoe	
2016/0311584	A1	10/2016	Van Oosten	
2016/0368133	A1	12/2016	Welfel et al.	

FOREIGN PATENT DOCUMENTS

CN	103662246	A	3/2014
CN	303149621		4/2015
CN	303214602		5/2015
CN	303245878		6/2015
CN	303263716		7/2015
CN	303284668		7/2015
CN	303284683		7/2015
CN	303295744		7/2015
CN	303295746		7/2015
CN	303316701		8/2015
CN	303316702		8/2015
CN	303316749		8/2015
CN	303316750		8/2015
CN	303316751		8/2015
CN	303336476		8/2015
CN	303345543		8/2015
CN	303517355		12/2015
CN	303899235		10/2016
CN	303910969		11/2016
DE	202009009198	U1	11/2009
DE	20201320100609	U1	11/2013
EP	779018	A	7/1957
EP	2130777	A2	12/2009
JP	3116035	U	11/2005
KR	200472092	Y1	4/2014

OTHER PUBLICATIONS

“United Solutions PN0020 White Five Gallon Plastic Industrial Pail—5 Gallon Plastic Bucket for Industrial in White,” published

(56)

References Cited

OTHER PUBLICATIONS

prior to Feb. 27, 2017, retrieved from https://www.amazon.com/United-Solutions-PN0020-Plastic-Industrial/dp/B005SB1ORY/ref=sr_1_88?ie=UTF8&qid=1483581247&sr=8-88&keywords=utility+pail on Jun. 8, 2017.

“Bucket Stacker Tool Organize with 4 Compartments, 3" Deep,” published prior to Feb. 27, 2017, retrieved from <http://www.all-spec.com/Catalog/Hand-Power-Tools/Pneumatic-Tools/Tool-Arms-Holders/15051-65685?gclid=Clrk0-n0qtECFUhWDQod6w4JOg> on Jun. 8, 2017.

“Built-in Bottom Handle 5 Gallon Buckets & Covers,” published prior to Feb. 27, 2017, retrieved from <http://www.usplastic.com/catalog/item.aspx?itemid=118844&catid=752> on Jun. 8, 2017.

“The Ultimate Bucket,” published prior to Feb. 27, 2017, retrieved from <https://web.archive.org/web/20111027180918/http://ultimatebucket.com:80/index.html> on Jun. 21, 2017.

“Custom Leathercraft 1118 30-Pocket Outside Bucket-Pockets,” published prior to Mar. 23, 2017, retrieved from https://www.walmart.com/ip/Custom-Leathercraft-1118-30-Pocket-Outside-Bucket-Pockets/19656756?action=product_interest&action_type=title&beacon_version=1.0.2

&bucket_id=irsbucketdefault&client_guid=62111ea2-f303-4793-8529-5a53e4d809c9&config_id=2&cu#about-item on Jun. 5, 2017. “61—Pocket in and Out Bucket Organizer,” published prior to this application’s filing date on Mar. 23, 2017, retrieved from <https://www.walmart.com/ip/Custom-Leathercraft-4122-61-Pocket-Bucket-Tool-Bag-61-Pocket-In-Out-Each/21659694> on Jun. 5, 2017.

“Apollo Tools Bucket Organizer, Pink,” published prior to this application’s filing date on Mar. 23, 2017, retrieved from <https://www.walmart.com/ip/Apollo-Tools-Bucket-Organizer/22848213> on Jun. 5, 2017.

“Apollo Tools Bucket Organizer,” published prior to this application’s filing date on Mar. 23, 2017, retrieved from <https://www.walmart.com/ip/Apollo-Tools-Bucket-Organizer/22848212> on Jun. 5, 2017.

“Bucket Organizer Wrap Milwaukee Tool Holders 48-22-817504524279580,” published prior to this application’s filing date on Mar. 23, 2017, retrieved from <https://www.walmart.com/Bucket-Organizer-Wrap-Milwaukee-Tool-Holders-48-22-8175-045242479580/120876362> on Jun. 5, 2017.

“Fiskars Garden Bucket Caddy, Bucket Not Included (9424),” published prior to this application’s filing date on Mar. 23, 2017, retrieved from <https://www.amazon.com/Fiskars-Garden-Bucket-Caddy-Included/dp/B00005YX30> on Jun. 5, 2017.

* cited by examiner

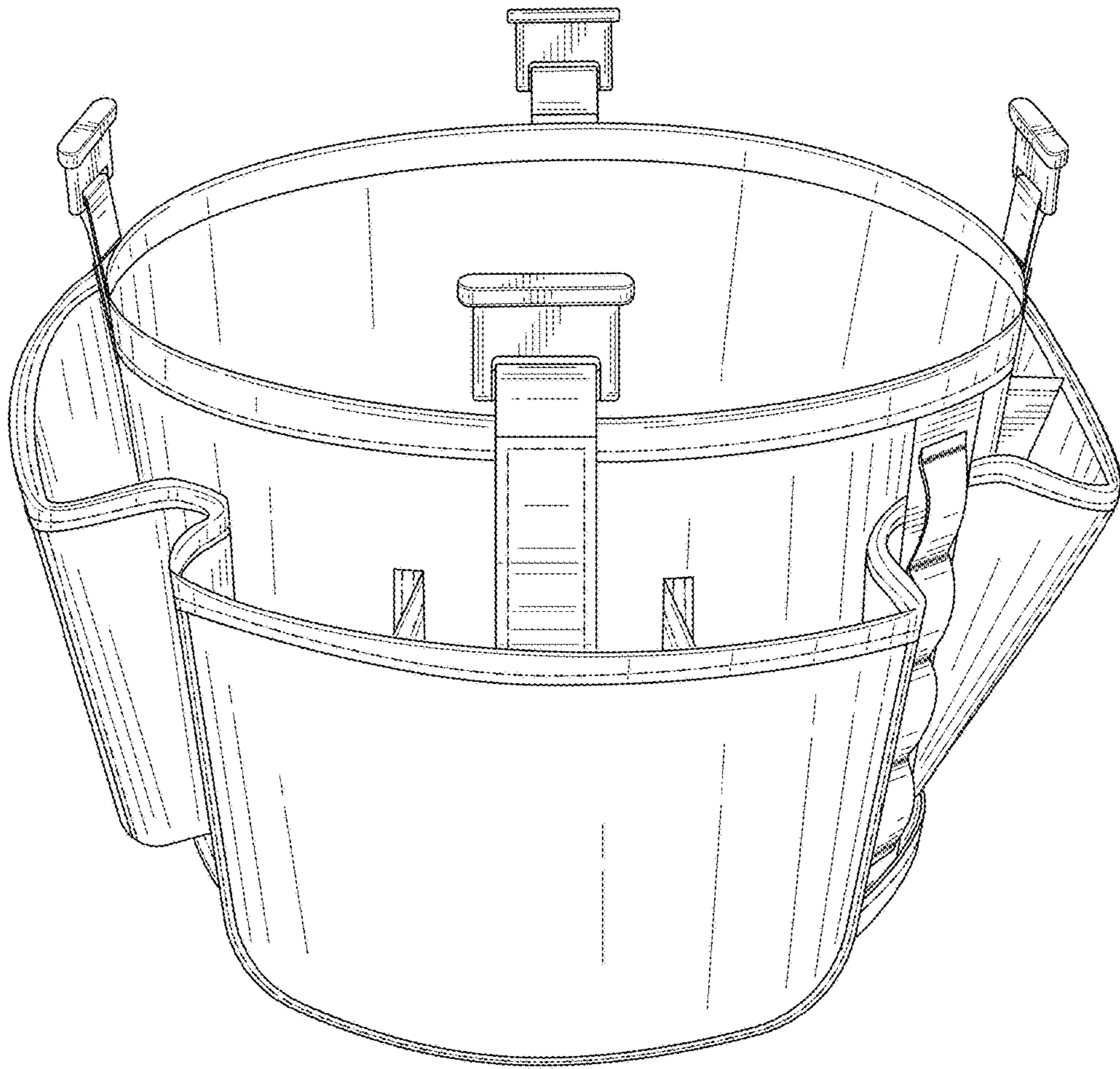


FIG. 1

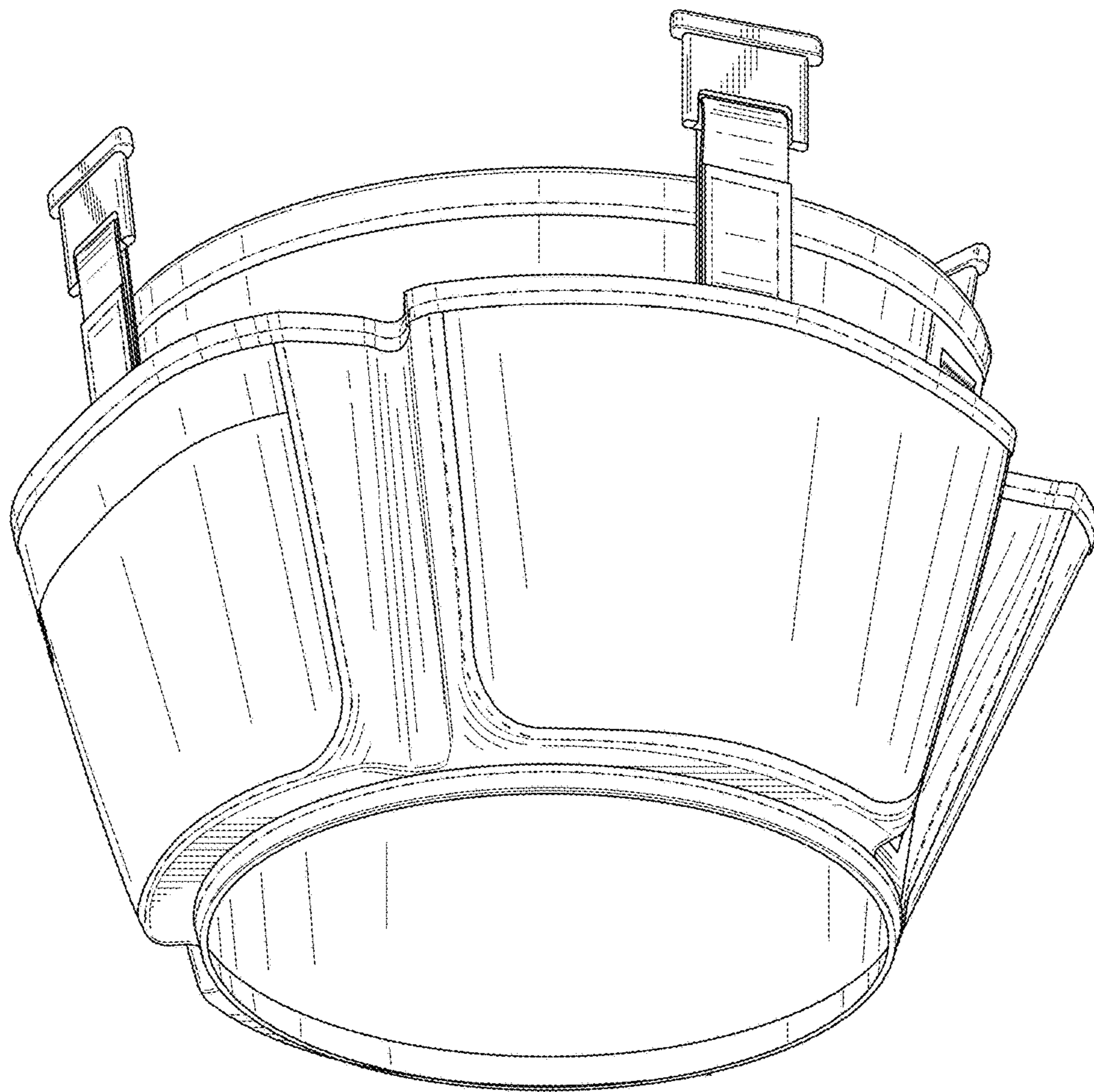


FIG. 2

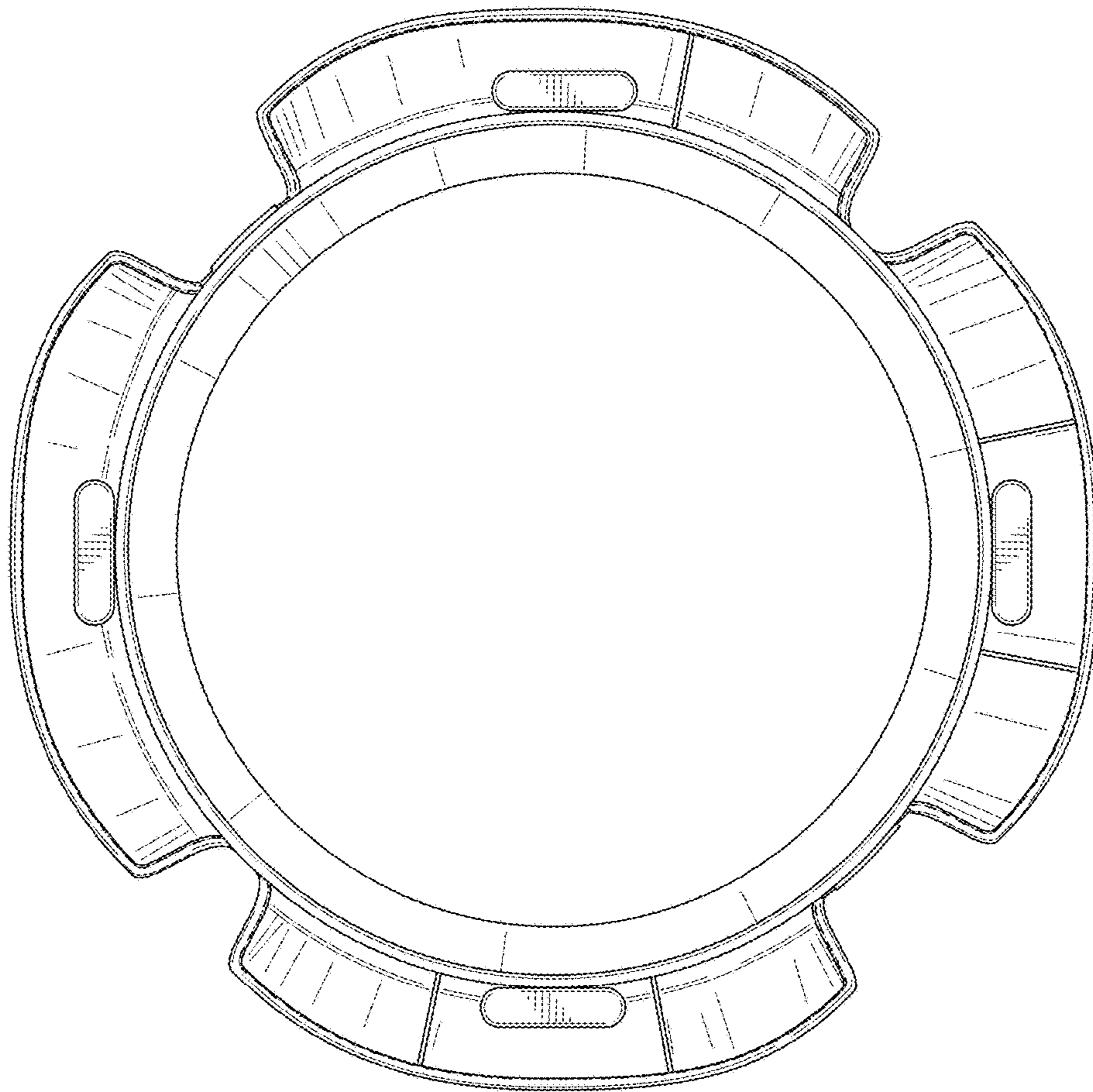


FIG. 3

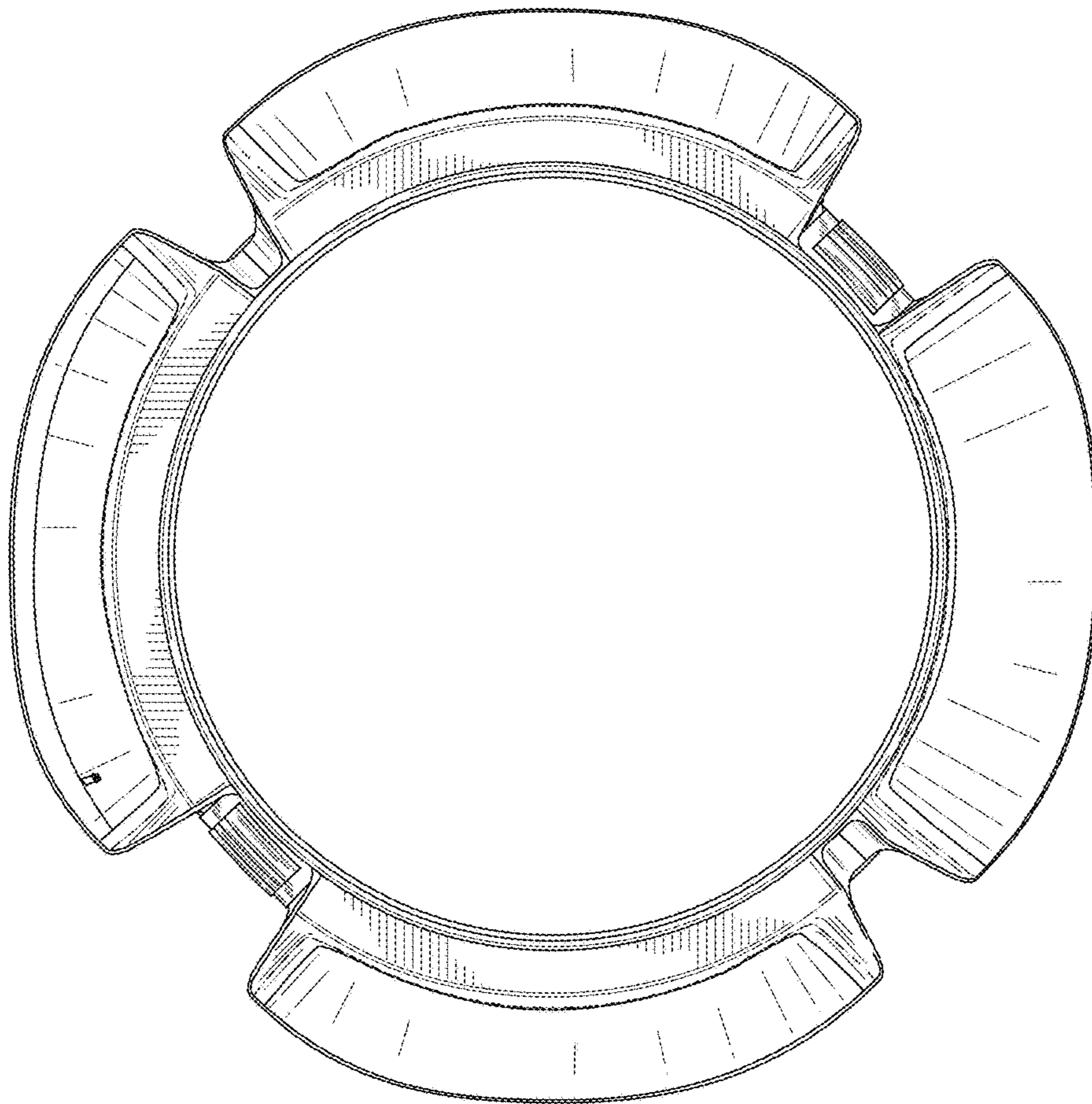


FIG. 4

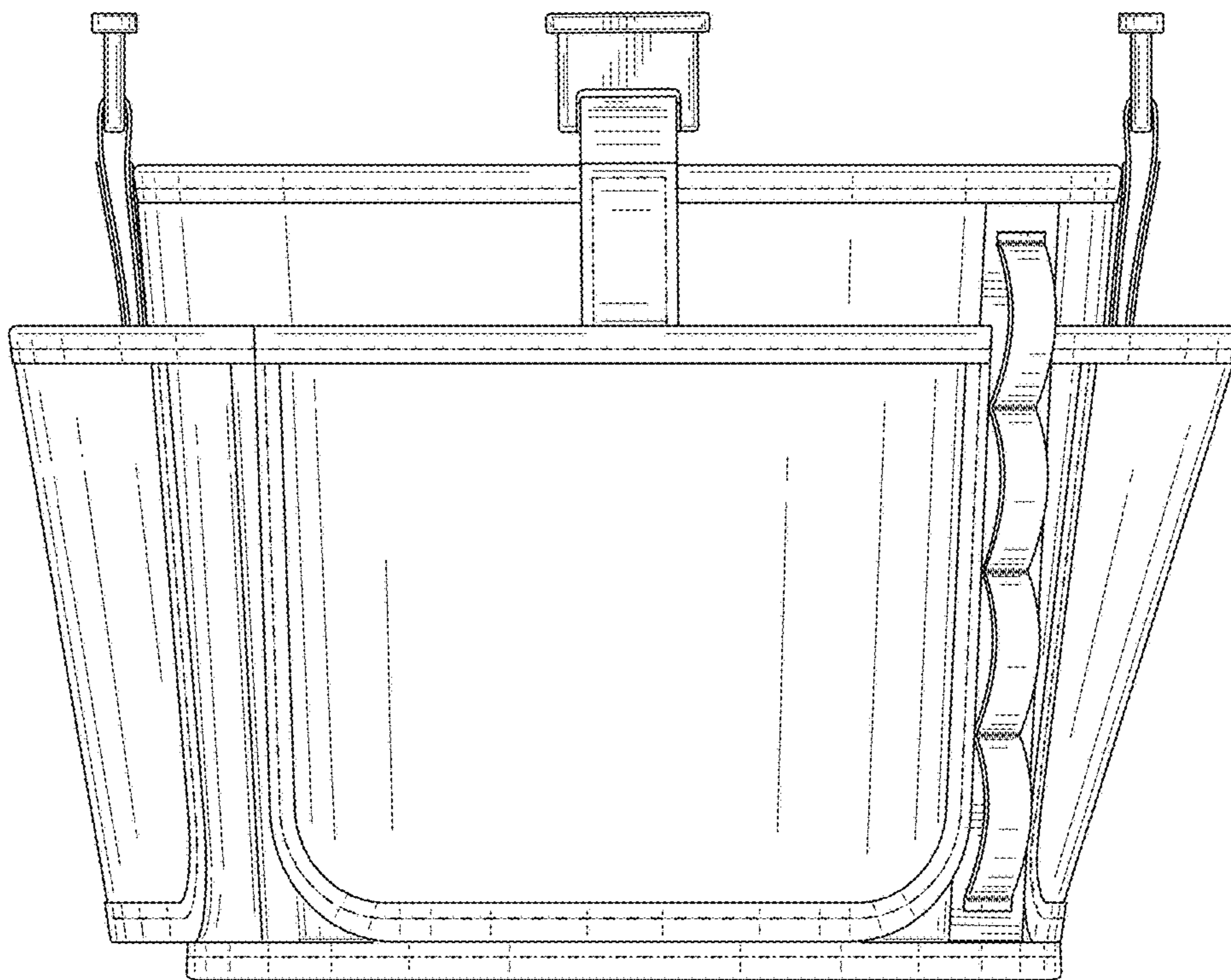


FIG. 5

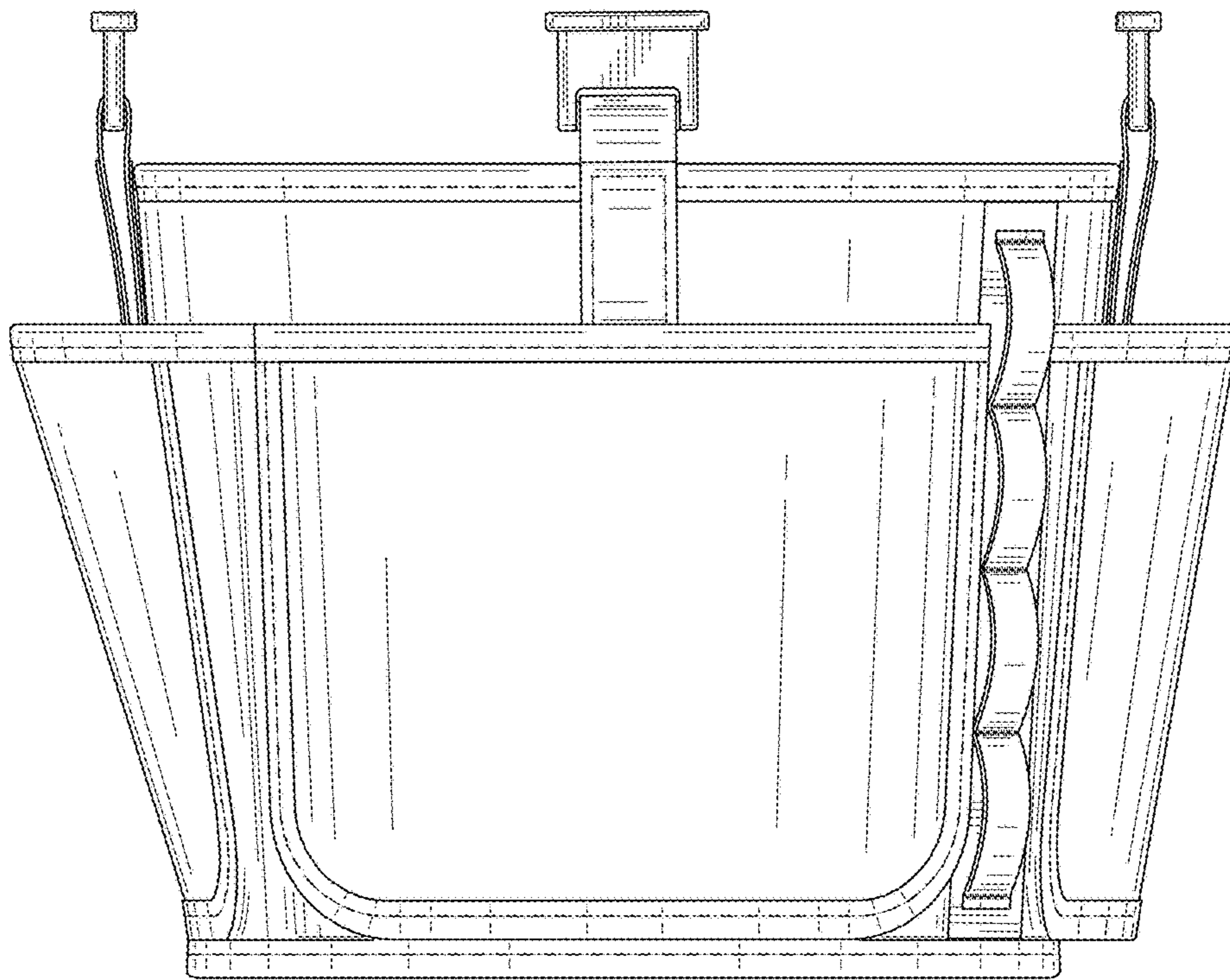


FIG. 6

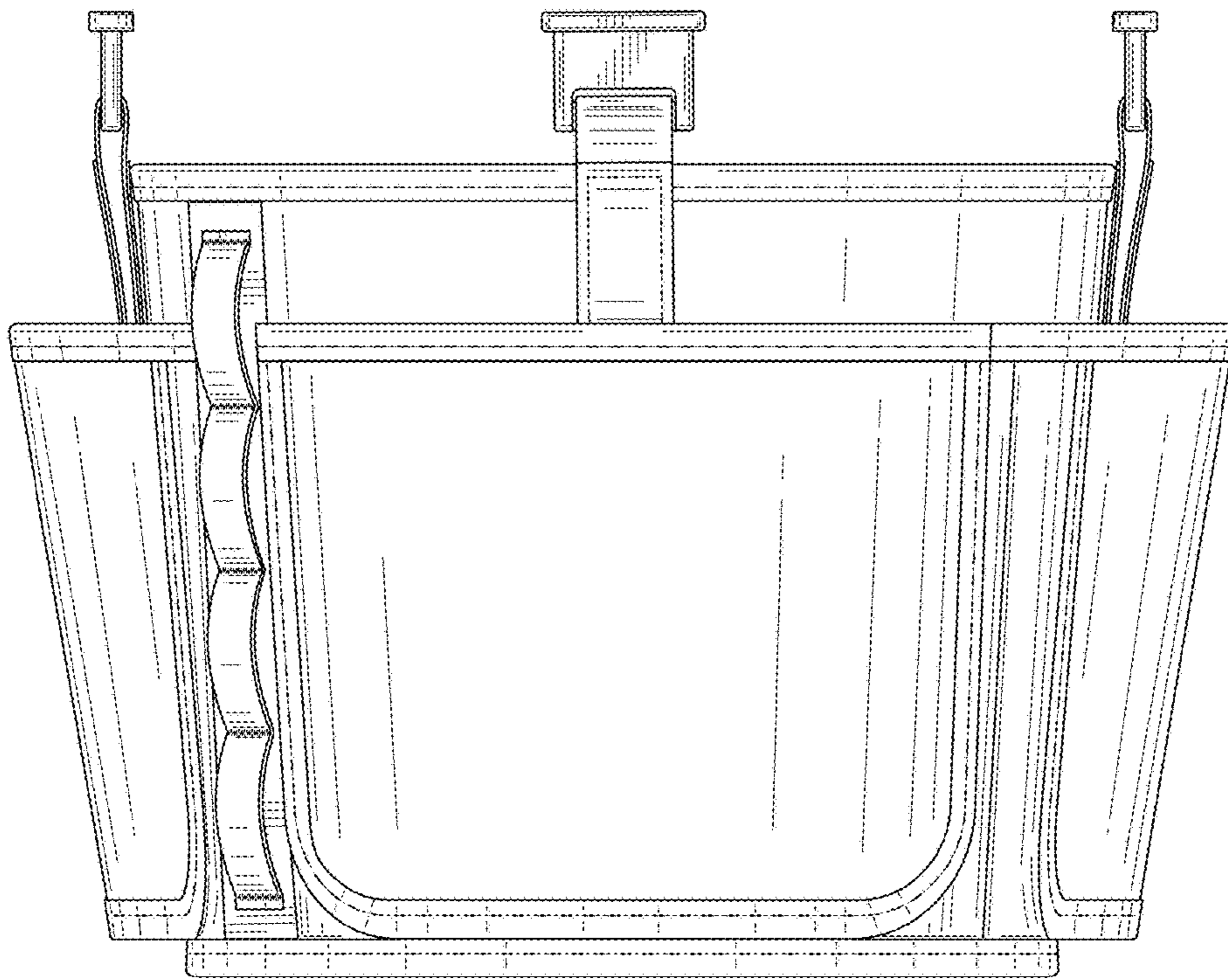


FIG. 7

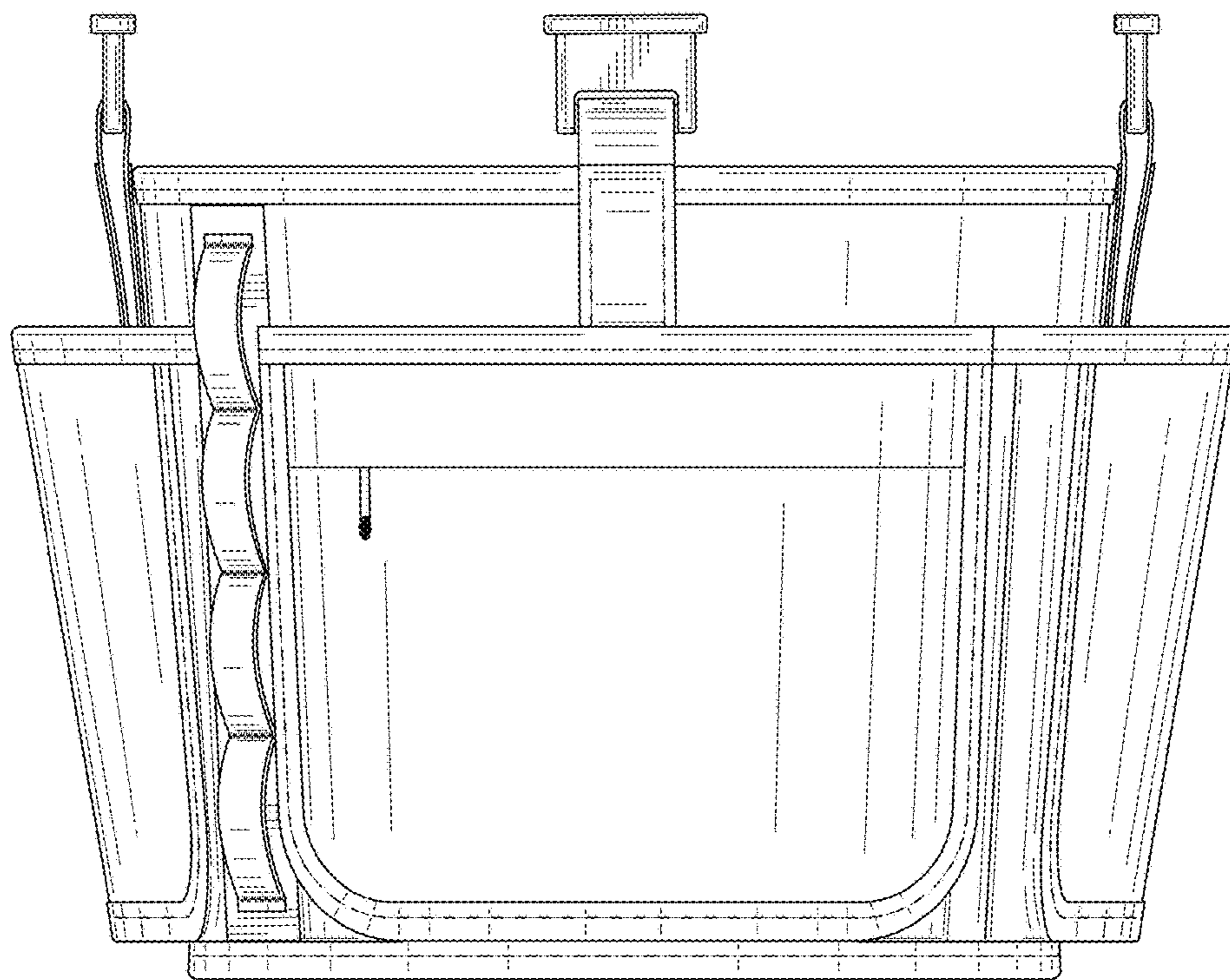


FIG. 8