



US00D817574S

(12) **United States Design Patent**
Libman et al.

(10) **Patent No.:** **US D817,574 S**

(45) **Date of Patent:** **** May 8, 2018**

- | | | | | | |
|---|---------------|---------|-----------|-------|------------------------|
| (54) MOP FRAME | 4,829,719 A * | 5/1989 | Braselton | | B24B 23/04
15/144.2 |
| (71) Applicant: The Libman Company , Arcola, IL
(US) | 4,852,210 A * | 8/1989 | Krajicek | | A47L 13/20
15/144.2 |
| (72) Inventors: Andrew D. Libman , Champaign, IL
(US); Aaron Libman , Champaign, IL
(US); Jon Franklin , St. Joseph, IL
(US); Carlos Aguiar , Burgo (PT) | 5,243,729 A | 9/1993 | Tomm | | |
| | 5,397,622 A * | 3/1995 | Thomas | | A47L 13/20
15/228 |
| (73) Assignee: The Libman Company , Arcola, IL
(US) | 5,455,980 A | 10/1995 | Buchanan | | |
| | D368,561 S * | 4/1996 | Hodges | | D32/50 |
| | 5,613,263 A | 3/1997 | Nolte | | |
| | 5,735,620 A | 4/1998 | Ford | | |
| | 5,804,274 A | 9/1998 | Nordin | | |
- (Continued)

(**) Term: **15 Years**

(21) Appl. No.: **29/595,487**

(22) Filed: **Feb. 28, 2017**

(51) **LOC (11) Cl.** **07-05**

(52) **U.S. Cl.**
USPC **D32/50**

(58) **Field of Classification Search**
USPC D32/40-43, 45-46, 50-52
CPC A46B 11/00; A47L 11/34; A47L 13/22;
A47L 13/24; A47L 13/20; A47L 13/256
See application file for complete search history.

(56) **References Cited**

U.S. PATENT DOCUMENTS

- | | | | |
|---------------|---------|-------------|-------------------------------|
| 1,469,568 A | 10/1923 | Willaims | |
| 1,675,736 A | 7/1928 | Sturgis | |
| 2,663,039 A | 12/1953 | Bagley | |
| 2,846,707 A | 8/1958 | Strand | |
| 2,912,710 A * | 11/1959 | Vosbikian | A47L 13/257
15/119.2 |
| 2,977,619 A * | 4/1961 | Franzene | A47L 13/14
15/119.2 |
| 3,271,804 A | 9/1966 | Tillinghast | |
| 3,528,120 A | 9/1970 | Lindstrom | |
| 3,778,860 A | 12/1973 | Thielen | |
| 3,991,431 A | 11/1976 | Thielen | |
| 4,766,632 A | 8/1988 | Murray | |

OTHER PUBLICATIONS

AmazonSmile: Libman 03021 Gator Mop Refill, review date Apr. 5, 2017, https://smile.amazon.com/Libman-03021-Gator-Mop-Refill/dp/B00QUAOTX8/ref=sr_1_32 . . . site visited Jan. 5, 2018.*

Primary Examiner — John Windmuller

Assistant Examiner — John R Yeh

(74) *Attorney, Agent, or Firm* — Banner & Witcoff, Ltd.

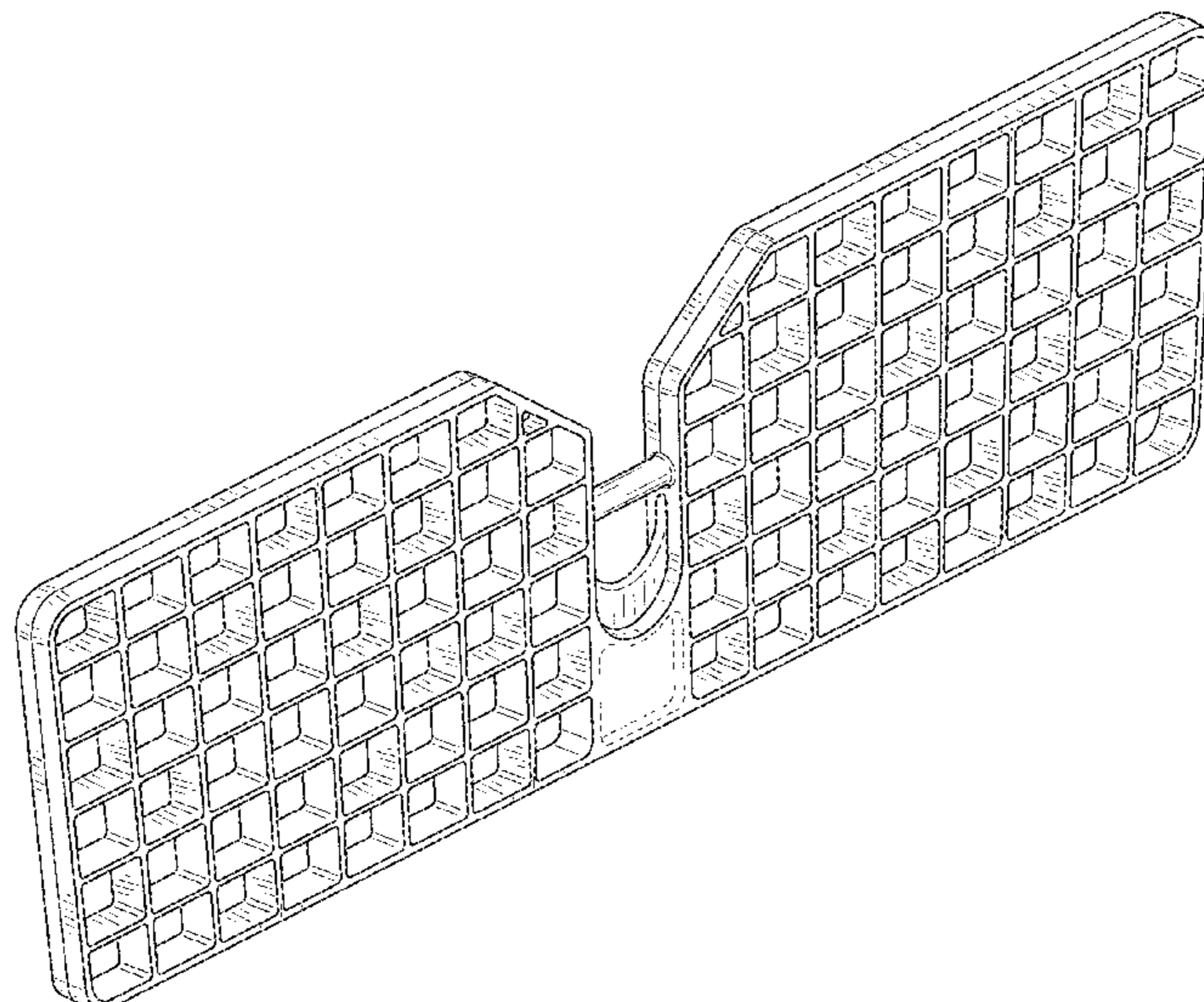
(57) **CLAIM**

The ornamental design for a mop frame, as shown and described.

DESCRIPTION

FIG. 1 is a top, front, left perspective view of a mop frame showing our new design;
FIG. 2 is a front view thereof;
FIG. 3 is a rear view thereof;
FIG. 4 is a right side view thereof;
FIG. 5 is a left side view thereof;
FIG. 6 is a top view thereof;
FIG. 7 is a bottom view thereof; and,
FIG. 8 is a top, rear, right perspective thereof.
The broken lines in the figures depict a portion of the mop frame that is not part of the claimed design.

1 Claim, 5 Drawing Sheets



(56)

References Cited

U.S. PATENT DOCUMENTS

5,864,914 A 2/1999 Salmon
D406,932 S * 3/1999 Hodges D32/50
5,953,784 A 9/1999 Suzuki et al.
6,000,094 A * 12/1999 Young A47L 13/58
15/260
6,047,435 A 4/2000 Suzuki et al.
6,061,864 A 5/2000 Ensson
6,216,307 B1 4/2001 Kaleta et al.
6,438,784 B1 8/2002 Yu
6,684,446 B2 2/2004 Salmon
7,120,962 B2 10/2006 Petner
7,571,510 B2 8/2009 Yamada
D599,517 S * 9/2009 Vrdoljak A47L 13/225
D32/40
D599,518 S 9/2009 Vrdoljak
7,735,182 B2 6/2010 Morris et al.
7,743,453 B2 6/2010 Kresse et al.
7,854,035 B2 12/2010 Gullicks et al.
8,065,775 B2 11/2011 Cameneti et al.
D672,930 S 12/2012 Van Ledingham, Jr. et al.
8,425,137 B1 4/2013 Sampaio
D685,966 S * 7/2013 Houghton D32/45
D694,484 S * 11/2013 Angel D32/50
8,631,535 B2 1/2014 Phillips
D699,011 S * 2/2014 deBlois D32/45
8,763,616 B2 7/2014 Koptis et al.
8,926,208 B2 1/2015 Johnson et al.
9,179,816 B2 11/2015 Kaminer et al.
9,198,555 B2 12/2015 Tannijarvi et al.
9,307,883 B2 4/2016 Bober et al.

D766,527 S * 9/2016 Niedzwecki D32/45
9,521,940 B2 12/2016 Johnson
D806,338 S * 12/2017 Metzel D32/45
2001/0044980 A1 11/2001 Duplessis
2004/0071490 A1 * 4/2004 Vosbikian A47L 13/12
401/49
2004/0074520 A1 4/2004 Truong et al.
2005/0138749 A1 6/2005 Keck et al.
2007/0006413 A1 1/2007 Lee
2008/0047089 A1 2/2008 Sadovsky
2008/0209651 A1 9/2008 Reponen et al.
2008/0236635 A1 * 10/2008 Rosenzweig A47L 13/22
134/105
2010/0064466 A1 3/2010 Dingert et al.
2010/0269282 A1 10/2010 Kaminer et al.
2011/0100395 A1 * 5/2011 Van
Landingham, Jr. ... A47L 13/258
134/6
2011/0185529 A1 8/2011 Kandasamy et al.
2012/0073068 A1 3/2012 Cameneti et al.
2013/0104326 A1 5/2013 Gooden
2014/0007365 A1 1/2014 Salmon
2014/0075692 A1 3/2014 Michels et al.
2014/0215740 A1 * 8/2014 Zorzo A47L 13/258
15/150
2014/0373296 A1 12/2014 Eisenhut et al.
2015/0230685 A1 8/2015 Smeijer et al.
2015/0265038 A1 9/2015 Spinosa et al.
2016/0106185 A1 4/2016 Poulakis
2016/0309978 A1 10/2016 Heinzer
2017/0367555 A1 * 12/2017 Zorzo A47L 13/44

* cited by examiner

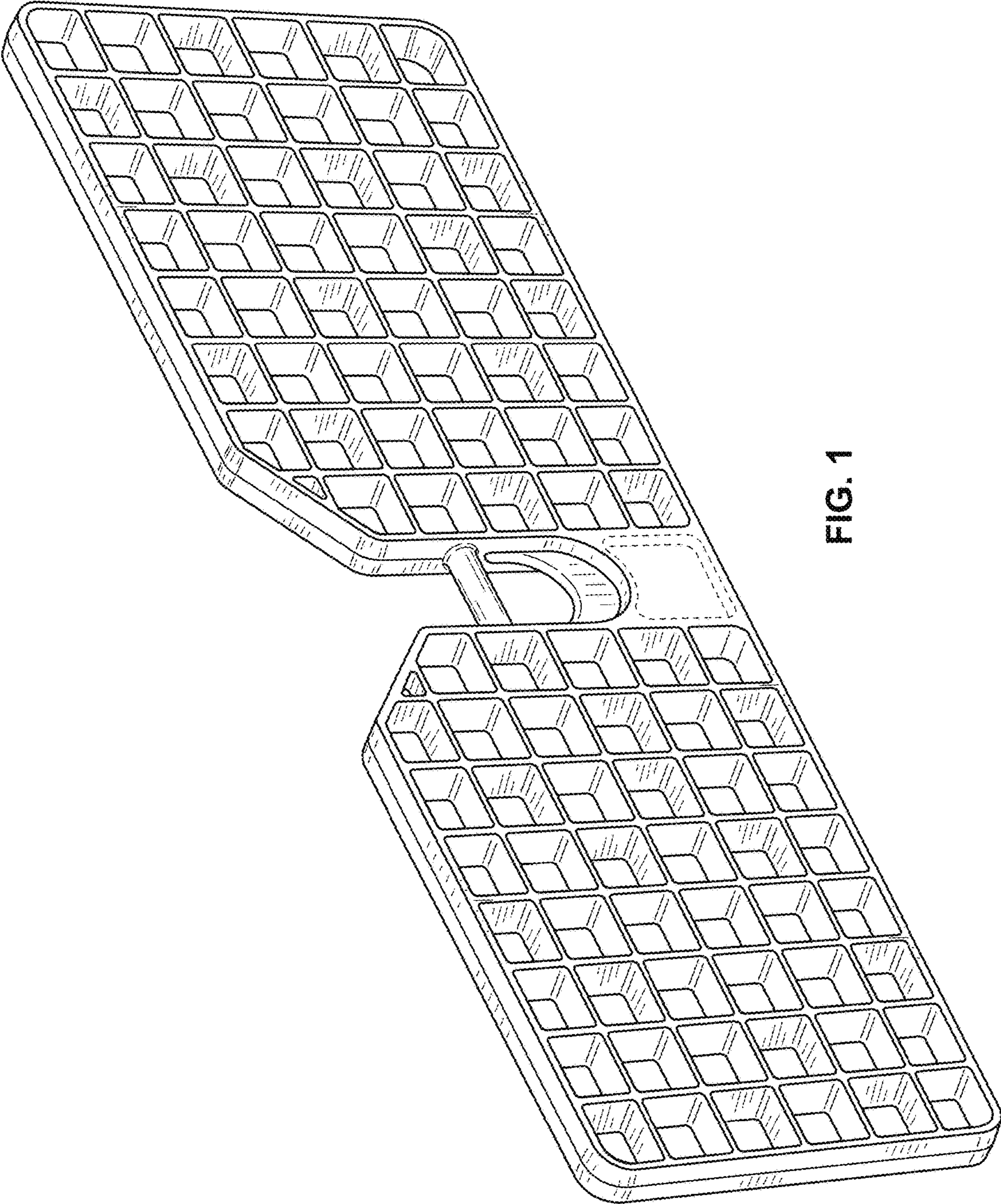


FIG. 1

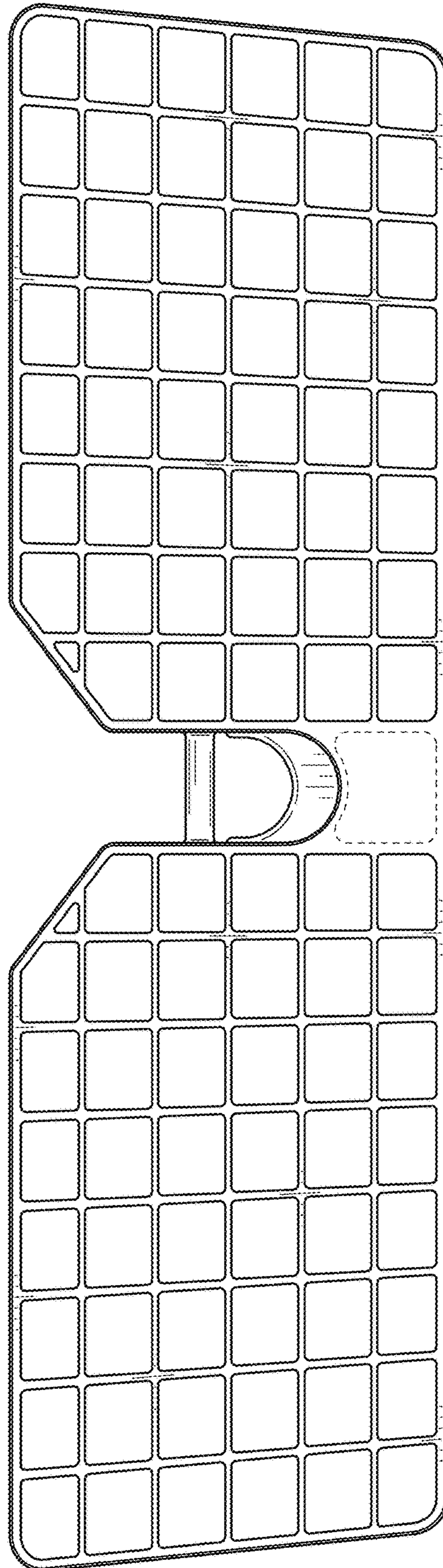


FIG. 2

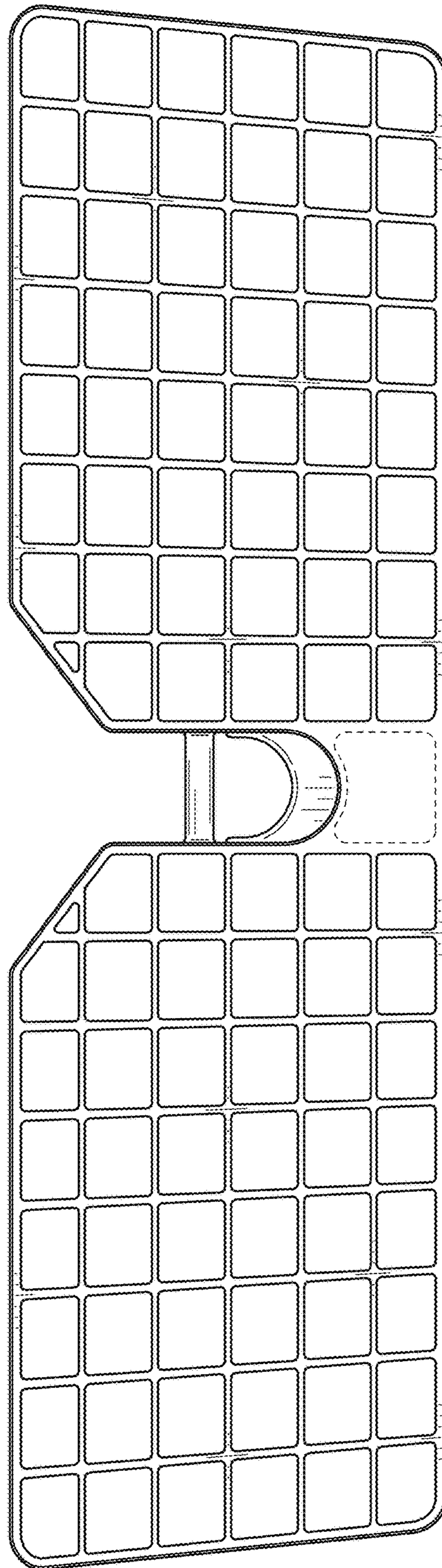


FIG. 3



FIG. 4



FIG. 5

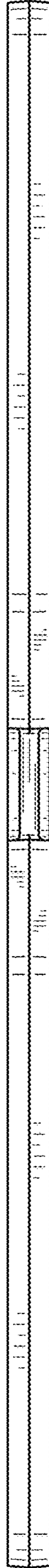


FIG. 6



FIG. 7

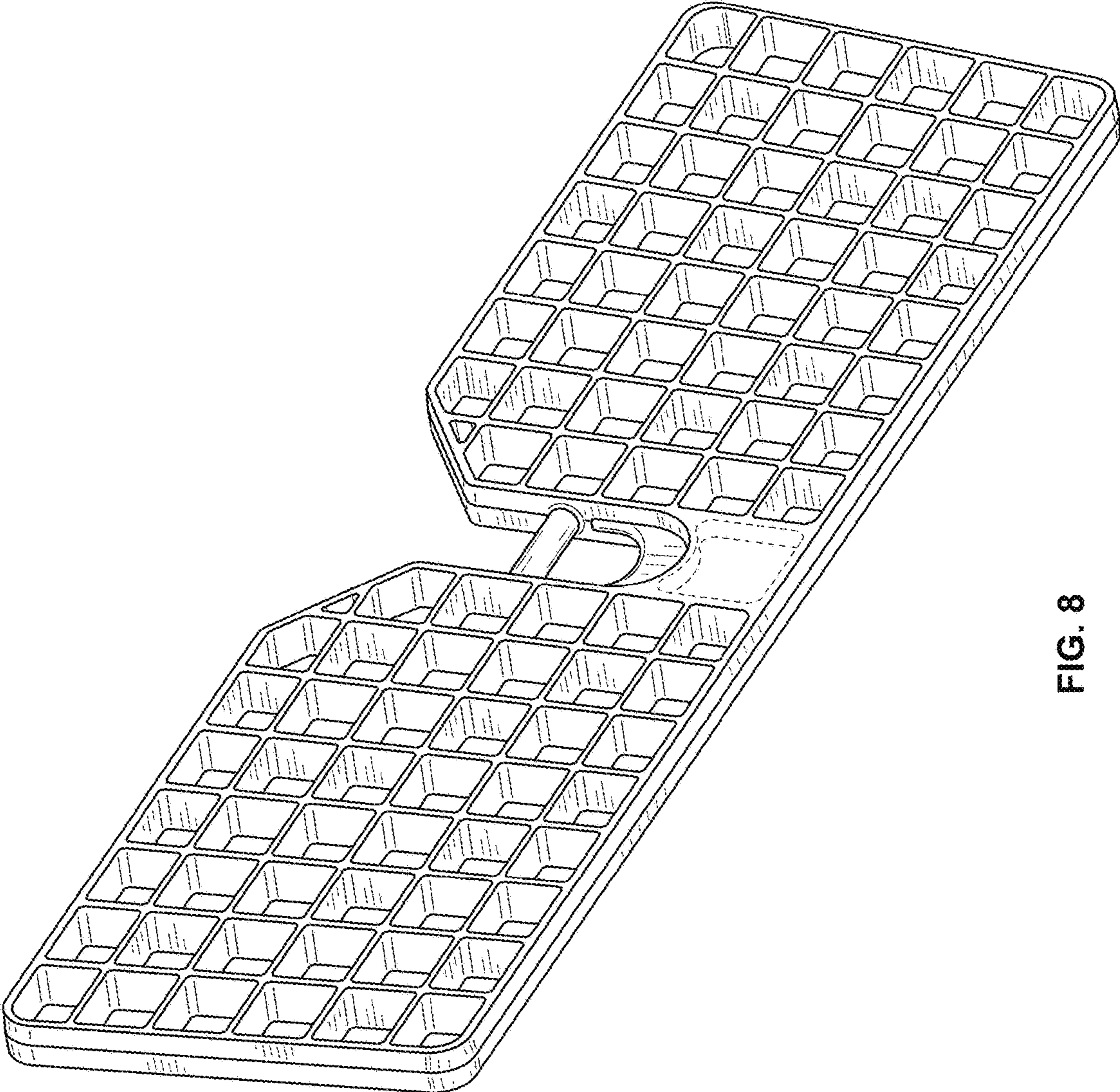


FIG. 8