



US00D817573S

(12) **United States Design Patent** (10) **Patent No.:** **US D817,573 S**  
**Crawley** (45) **Date of Patent:** **\*\* May 8, 2018**

- (54) **STEAM MOP**
- (71) Applicant: **BLACK & DECKER INC.**, New Britain, CT (US)
- (72) Inventor: **Graeme Crawley**, Newcastle upon Tyne (GB)
- (73) Assignee: **BLACK & DECKER INC.**, New Britain, CT (US)
- (\*\*) Term: **15 Years**
- (21) Appl. No.: **29/593,492**
- (22) Filed: **Feb. 9, 2017**
- (30) **Foreign Application Priority Data**  
Aug. 16, 2016 (EM) ..... 003342435
- (51) **LOC (11) Cl.** ..... **07-05**
- (52) **U.S. Cl.**  
USPC ..... **D32/50**
- (58) **Field of Classification Search**  
USPC ..... D32/40-43, 45-46, 50-52  
CPC ..... A46B 11/00; A47L 11/34; A47L 13/22;  
A47L 13/24; A47L 13/20; A47L 13/256  
See application file for complete search history.

7,996,948	B2 *	8/2011	Kaminer	.....	A47L 13/20
					15/209.1
D657,515	S *	4/2012	McGee	.....	D32/45
D657,516	S *	4/2012	McGee	.....	D32/45
D657,517	S *	4/2012	McGee	.....	D32/45
D657,518	S *	4/2012	McGee	.....	D32/45
D660,533	S *	5/2012	Hill	.....	D32/22
D661,034	S *	5/2012	Ediger	.....	D32/45
D661,035	S *	5/2012	McGee	.....	D32/45
D672,516	S *	12/2012	Ediger	.....	D32/17
D673,336	S *	12/2012	Kandasamy	.....	D32/40
D685,557	S *	7/2013	Rosenzweig	.....	D32/45
D685,965	S *	7/2013	Houghton	.....	D32/45
D707,002	S *	6/2014	Hughes	.....	D32/45

(Continued)

- (56) **References Cited**  
U.S. PATENT DOCUMENTS  
2,141,336 A \* 12/1938 Bailey ..... A47L 13/252  
15/143.1  
D590,117 S \* 4/2009 Crawford ..... D32/45  
D591,921 S \* 5/2009 Rosenzweig ..... A47L 13/225  
D32/45  
D597,717 S \* 8/2009 Rosenzweig ..... A47L 13/225  
D32/45  
D597,718 S \* 8/2009 McNeil ..... D32/45  
D602,664 S \* 10/2009 Crawford ..... D32/40  
D636,136 S \* 4/2011 Hoyle ..... D32/40

**OTHER PUBLICATIONS**

AmazonSmile—Shark Rocket Ultra-Light Upright Vacuum, reviews 2017, <https://smile.amazon.com/Rocket-Ultra-Light-Upright-Vacuum-HV301PL/dp/B01HC4G05> . . . site visited Jan. 4, 2018.\*

(Continued)

*Primary Examiner* — John Windmuller  
*Assistant Examiner* — John R Yeh  
(74) *Attorney, Agent, or Firm* — John Yun

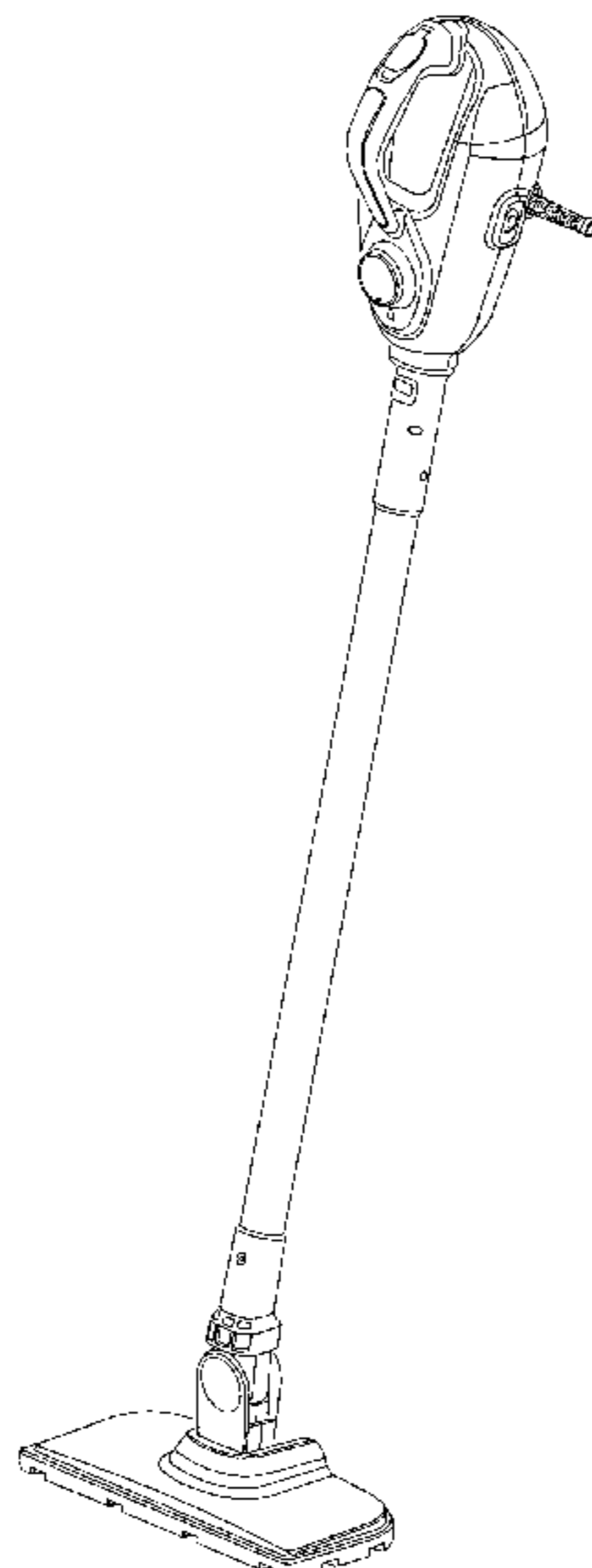
(57) **CLAIM**

The ornamental design for a steam mop, as shown and described.

**DESCRIPTION**

FIG. 1 is a perspective view of a steam mop showing my new design;  
FIG. 2 is a front view thereof  
FIG. 3 is a rear side view thereof;  
FIG. 4 is a right side view thereof;  
FIG. 5 is a left side view thereof;  
FIG. 6 is a top plan view thereof; and,  
FIG. 7 is a bottom plan view thereof.

**1 Claim, 7 Drawing Sheets**



(56)

**References Cited**

U.S. PATENT DOCUMENTS

D764,732 S \* 8/2016 Chei ..... D32/45  
9,743,819 B2 \* 8/2017 Davidshofer ..... A47L 13/22  
2011/0240068 A1 \* 10/2011 Rosenzweig ..... A47L 13/225  
134/105  
2013/0160228 A1 \* 6/2013 Kaminer ..... A47L 13/20  
15/209.1  
2014/0245554 A1 \* 9/2014 Kaminer ..... A47L 13/20  
15/228  
2016/0345793 A1 \* 12/2016 Hansen ..... A47L 11/34

OTHER PUBLICATIONS

Target, Black+Decker 5-in-1 Steam Mop Floor, website 2018,  
[https://www.target.com/p/black-decker-5-in-1-steam-mop-floor-extension-with-steam-glove . . .](https://www.target.com/p/black-decker-5-in-1-steam-mop-floor-extension-with-steam-glove...) site visited Jan. 5, 2018.\*

\* cited by examiner

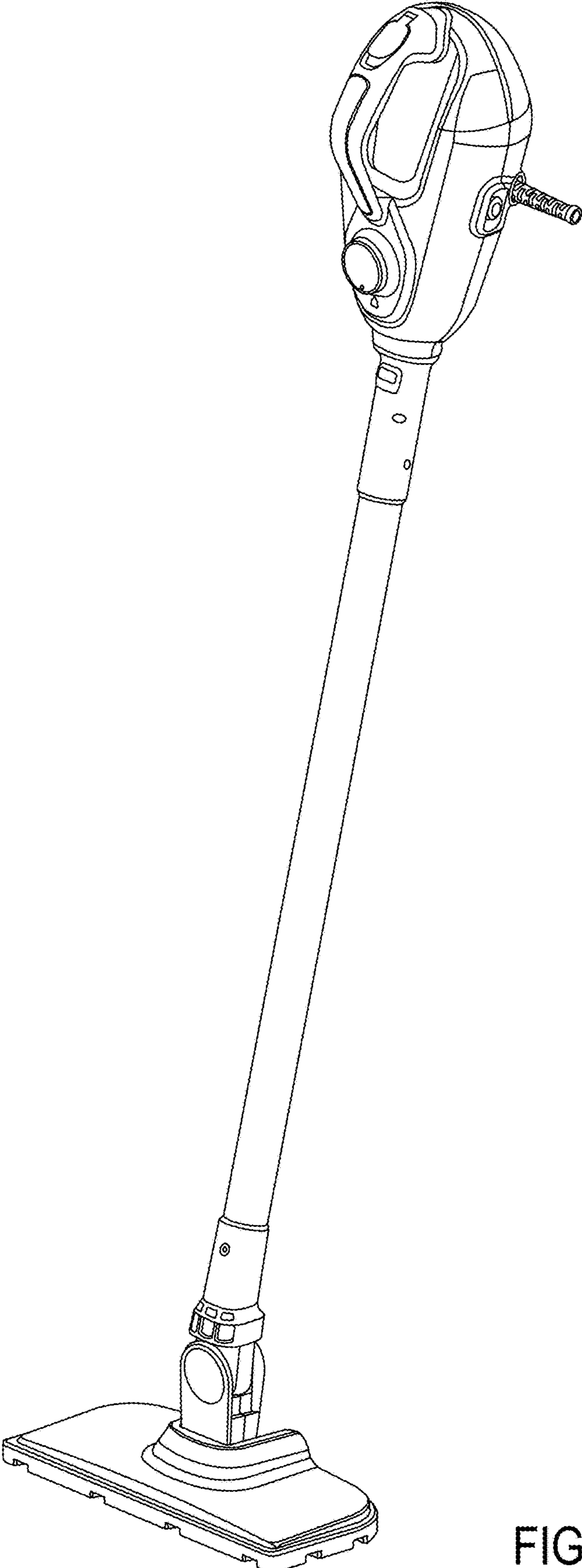


FIG.1

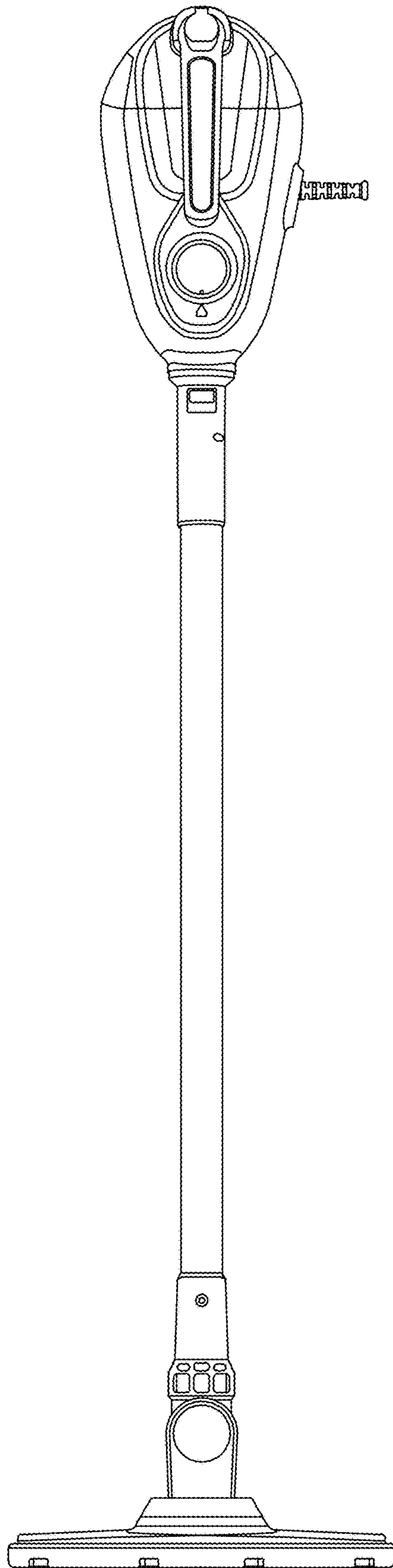


FIG.2

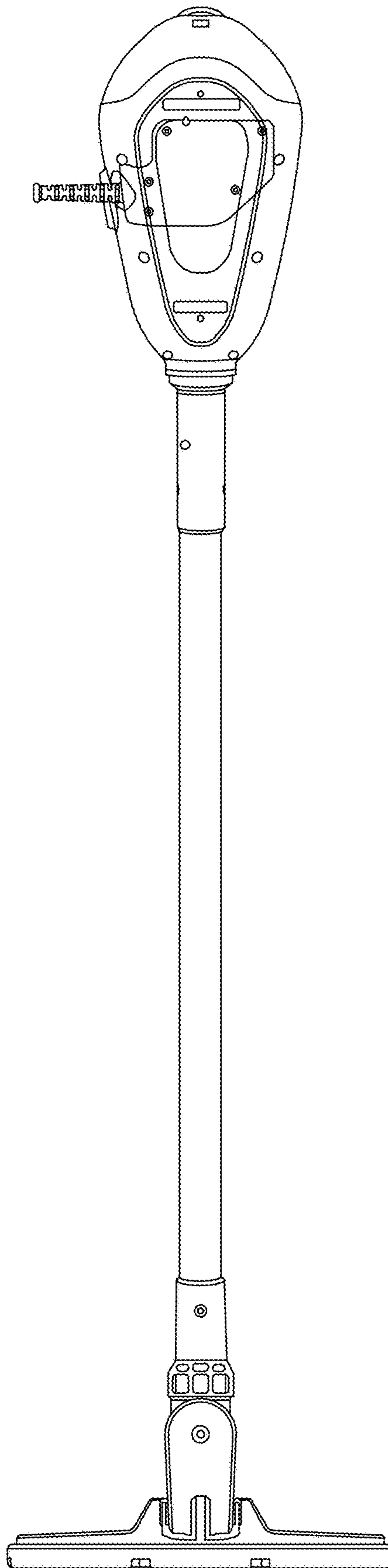


FIG.3

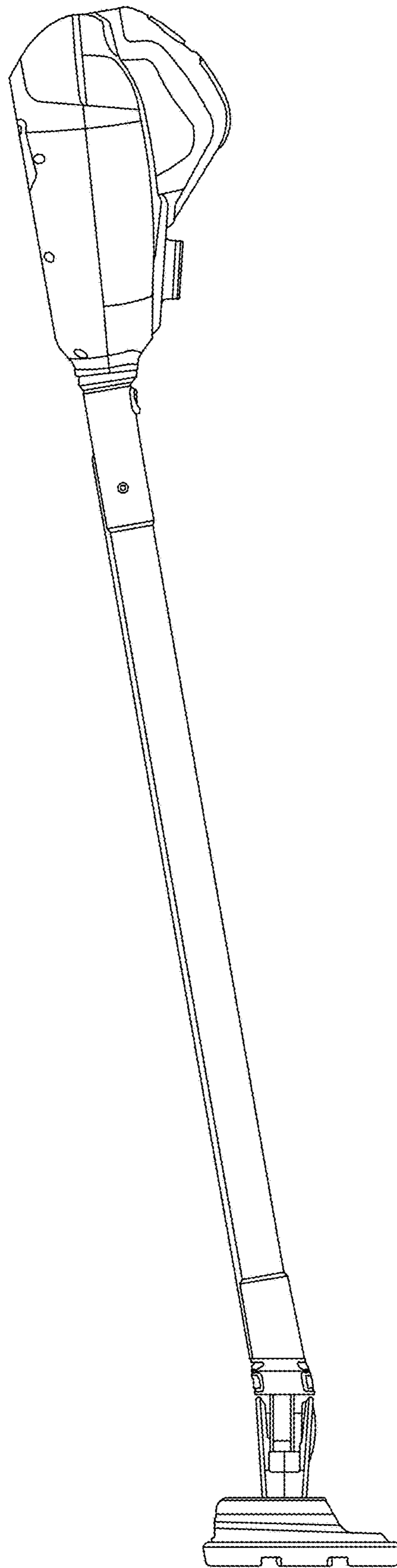


FIG.4

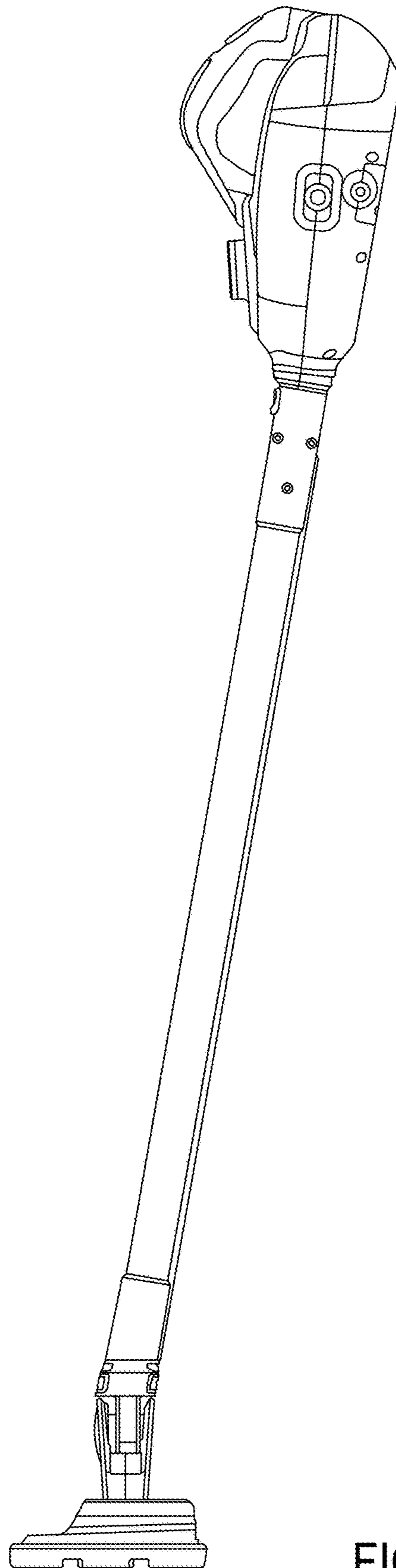


FIG.5

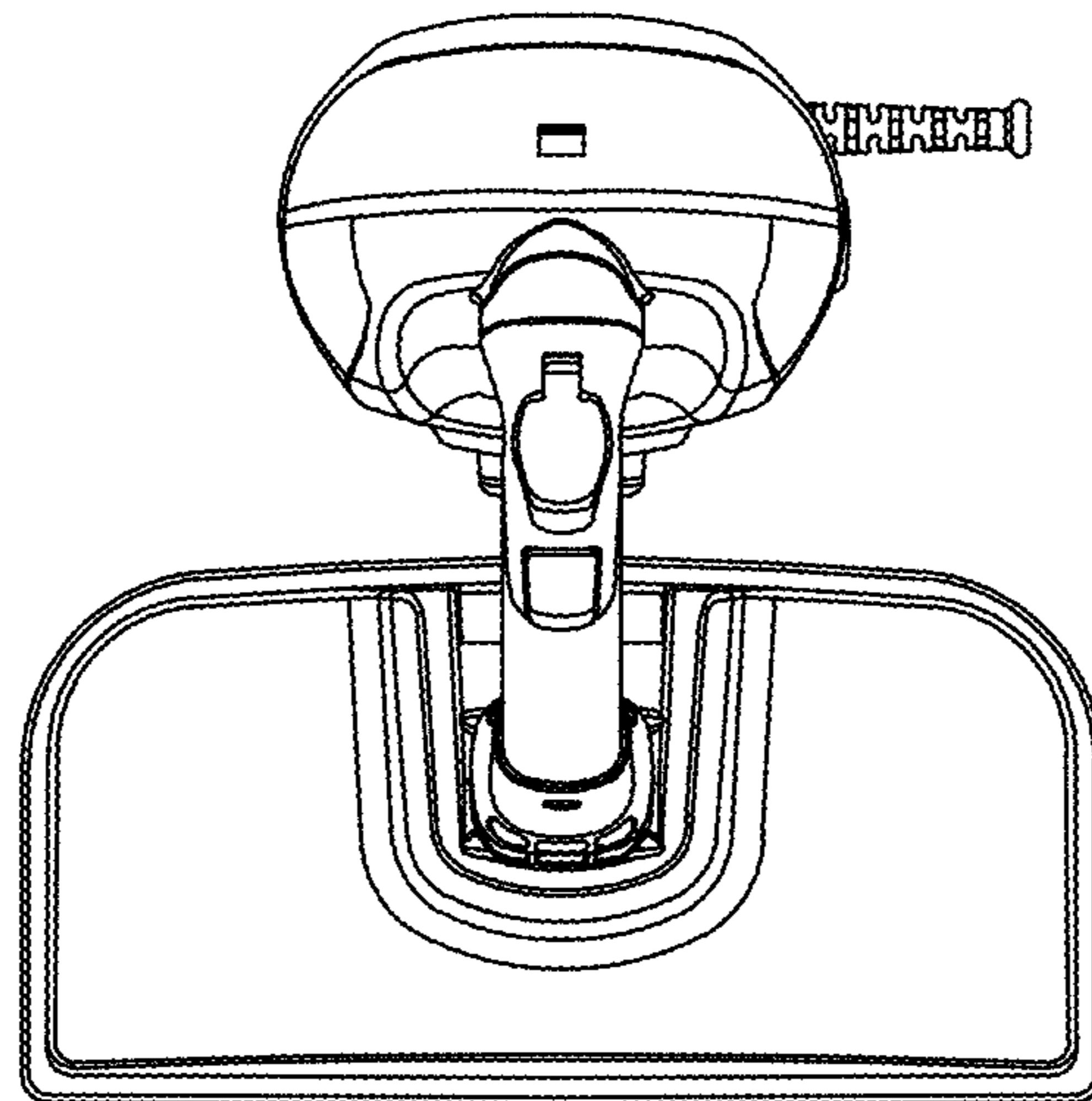


FIG.6



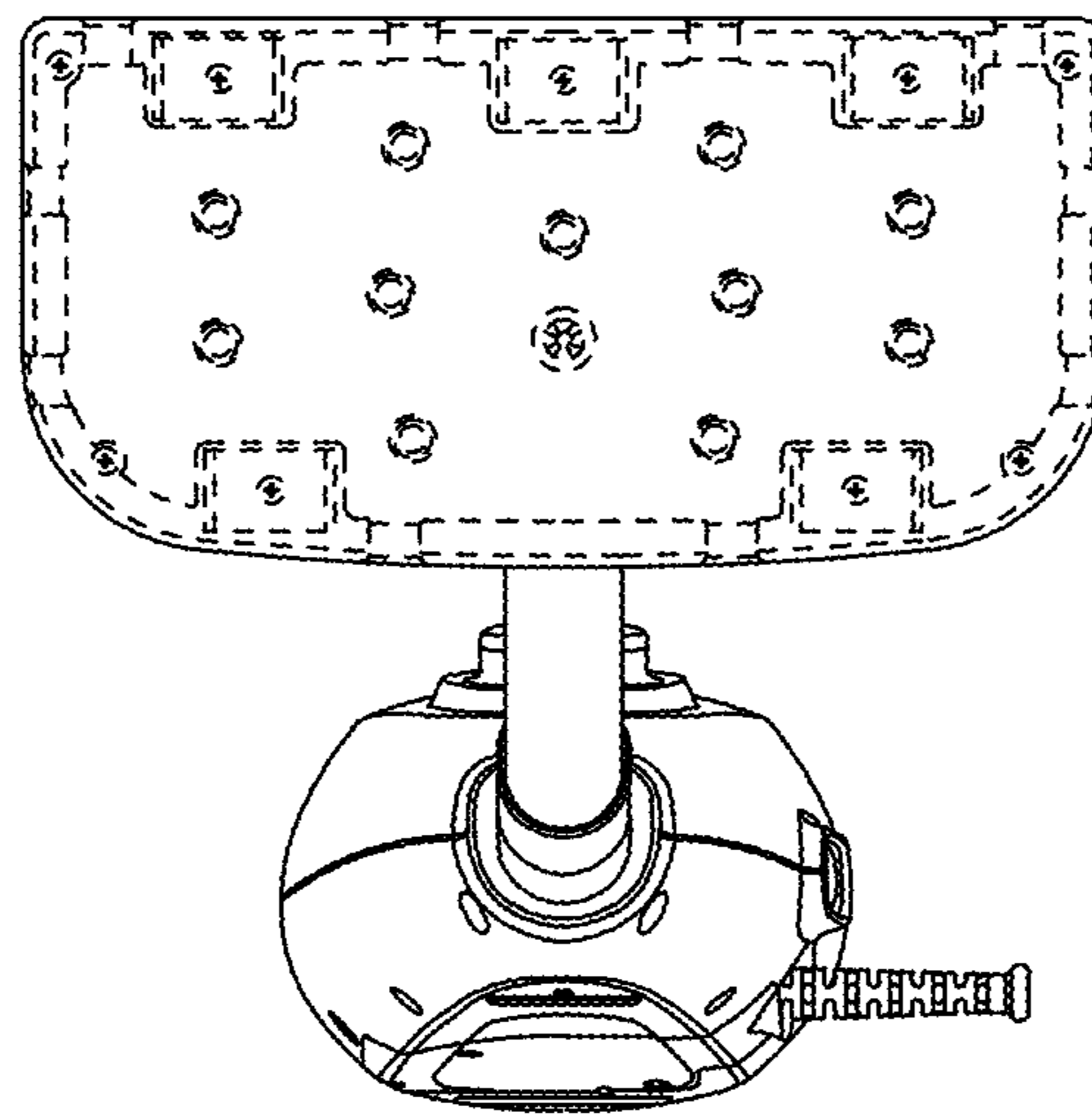


FIG.7