



US00D817569S

(12) **United States Design Patent** (10) **Patent No.:** **US D817,569 S**
Baker et al. (45) **Date of Patent:** **** May 8, 2018**

(54) **INTERCHANGEABLE SCRUB BRUSH OR SCRUB PAD FOR A FLOOR MAINTENANCE VEHICLE**

D532,946 S * 11/2006 Gansebom D32/25
D571,505 S * 6/2008 Mettler D28/73
D582,113 S * 12/2008 van der Meijden D32/25
7,587,779 B2 * 9/2009 Walz A47L 11/4052
15/180
D699,834 S * 2/2014 Pan D23/412
D701,300 S * 3/2014 Tanabe D23/379
D701,597 S * 3/2014 DeFilippis D23/370
8,678,186 B2 * 3/2014 Fabian B23K 9/1333
206/409
D702,829 S * 4/2014 Chen D23/379
D745,955 S * 12/2015 Chen D13/179
9,283,655 B2 * 3/2016 Olari B24B 55/02
D759,914 S * 6/2016 Goff D32/25

(71) Applicant: **Tennant Company**, Minneapolis, MN (US)

(72) Inventors: **Leo J. Baker**, Holland, MI (US); **Jeremy C. Stoddard**, Holland, MI (US); **Steven J. Leibrandt**, Muskegon, MI (US); **Nathan Scott Meyer**, Zeeland, MI (US); **Justin M. Clark**, Hudsonville, MI (US)

(73) Assignee: **Tennant Company**, Minneapolis, MN (US)

(**) Term: **14 Years**

(21) Appl. No.: **29/521,388**

(22) Filed: **Mar. 23, 2015**

(51) **LOC (11) Cl.** **15-05**

(52) **U.S. Cl.**
USPC **D32/25**

(58) **Field of Classification Search**
USPC D32/25, 4, 15, 28; D7/368, 675, 677, D7/672; D9/434, 447, 728; D10/64; 15/87, 179, 88.2, 230, 353; 132/322; 451/285; D4/102, 127, 128
CPC A47L 11/00; A47L 11/02; A47L 11/162; A47L 11/164; A47L 11/283; B24B 23/02; B24B 41/047; A46B 3/00; A46B 13/008
See application file for complete search history.

(56) **References Cited**

U.S. PATENT DOCUMENTS

D424,258 S * 5/2000 Pihl D32/25
D424,765 S * 5/2000 Lund D32/25
D425,269 S * 5/2000 Pihl D32/25
D427,395 S * 6/2000 Pihl D32/25

(Continued)

Primary Examiner — Ian Simmons

Assistant Examiner — Yolanda Robinson

(74) *Attorney, Agent, or Firm* — Fredrikson & Byron, P.A.

(57) **CLAIM**

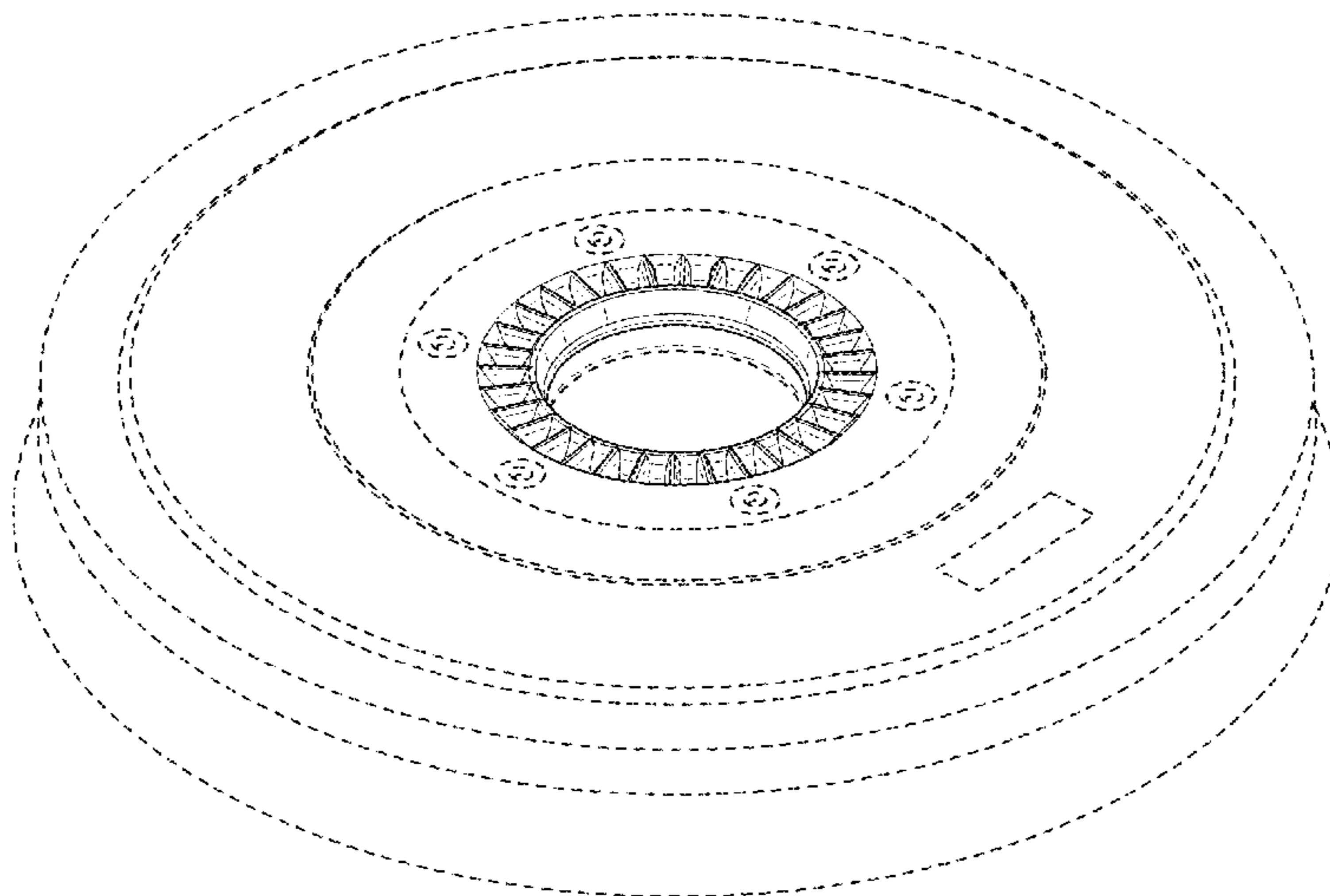
Applicant claims the ornamental design for an interchangeable scrub brush or scrub pad for a floor maintenance vehicle, as shown and described.

DESCRIPTION

FIG. 1 is an upper perspective view of an interchangeable scrub brush or scrub pad for a floor maintenance vehicle of Applicant's design;
FIG. 2 is a front elevational view thereof;
FIG. 3 is a rear elevational view thereof;
FIG. 4 is a left-side elevation view thereof;
FIG. 5 is a right-side elevation view thereof;
FIG. 6 is a top plan view thereof;
FIG. 7 is a bottom plan view thereof;
FIG. 8 is a sectional view thereof taken along line 8-8 in FIG. 6; and,
FIG. 9 is a sectional view thereof taken along line 9-9 in FIG. 6.

The broken lines shown represent unclaimed subject matter and form no part of the claimed design.

1 Claim, 6 Drawing Sheets



(56)

References Cited

U.S. PATENT DOCUMENTS

9,695,606 B1 * 7/2017 Allen, Jr. E04G 23/006
2008/0216259 A1 * 9/2008 Walz A47L 11/4052
15/49.1
2009/0139043 A1 * 6/2009 Ting A46B 3/00
15/206
2010/0154153 A1 * 6/2010 Hooper A46B 3/10
15/104.05
2011/0030163 A1 * 2/2011 Tucker A47L 11/305
15/320
2012/0118319 A1 * 5/2012 Stuchlik A47L 11/293
134/6
2013/0157548 A1 * 6/2013 Palushaj A46B 13/008
451/294
2014/0237743 A1 8/2014 Baker
2015/0216386 A1 * 8/2015 Baker A47L 11/283
15/49.1
2016/0072416 A1 * 3/2016 Hirovani H02P 25/22
318/400.02
2017/0073050 A1 * 3/2017 Smith A46B 13/008

* cited by examiner

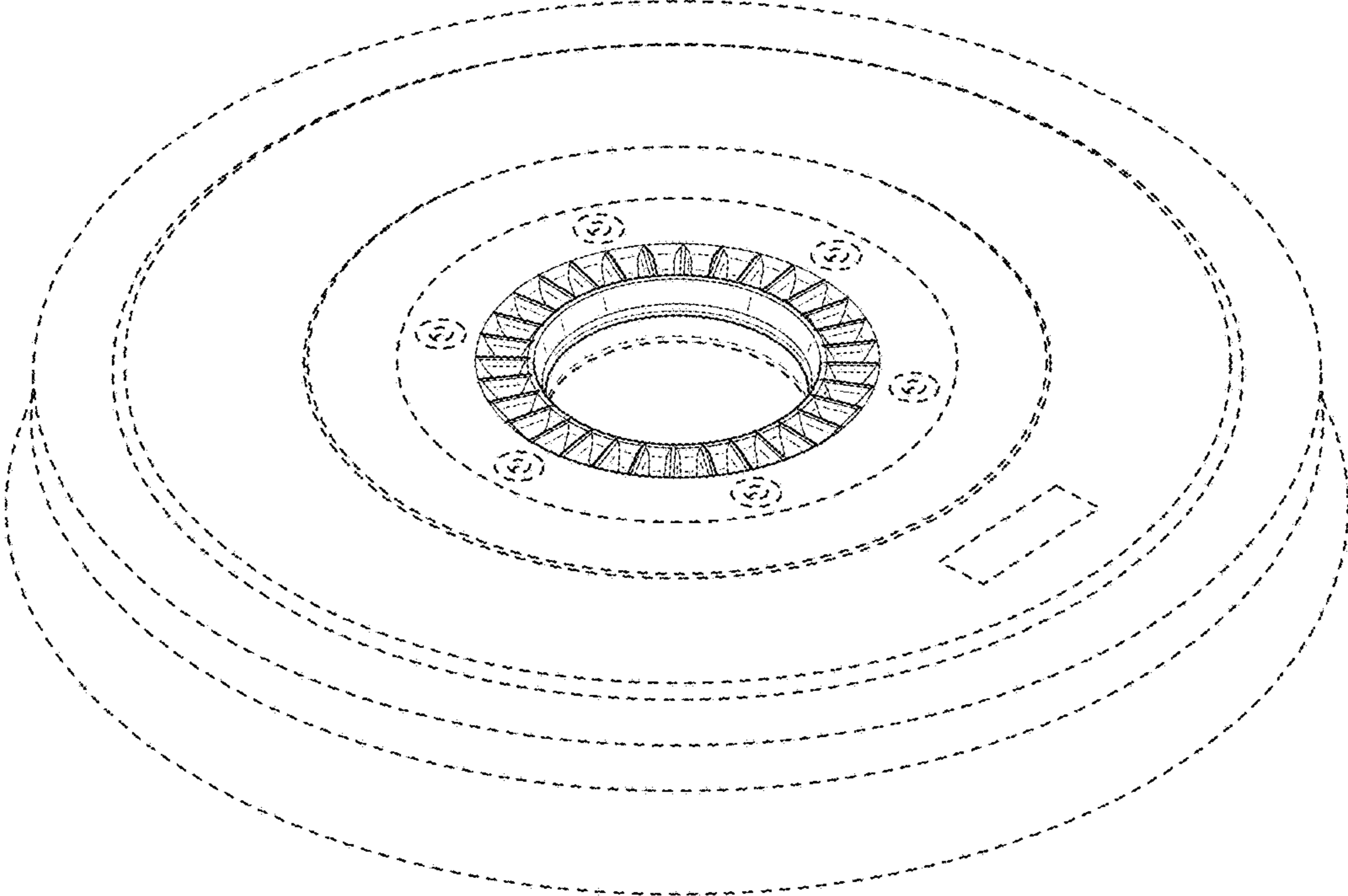


FIG. 1

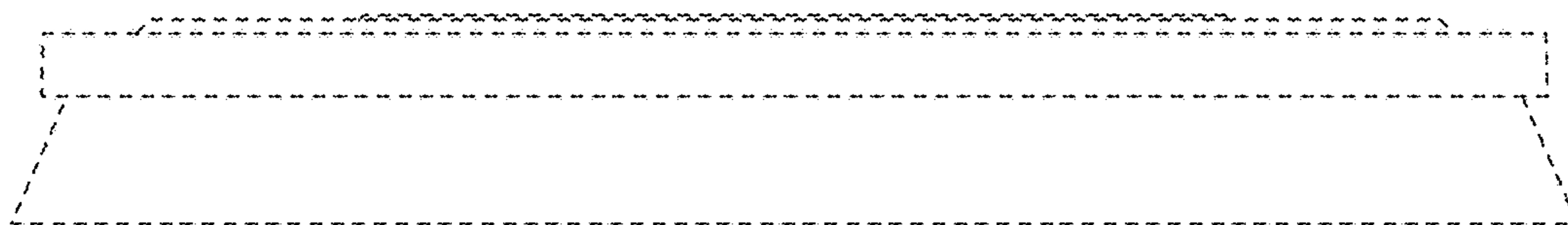


FIG. 2

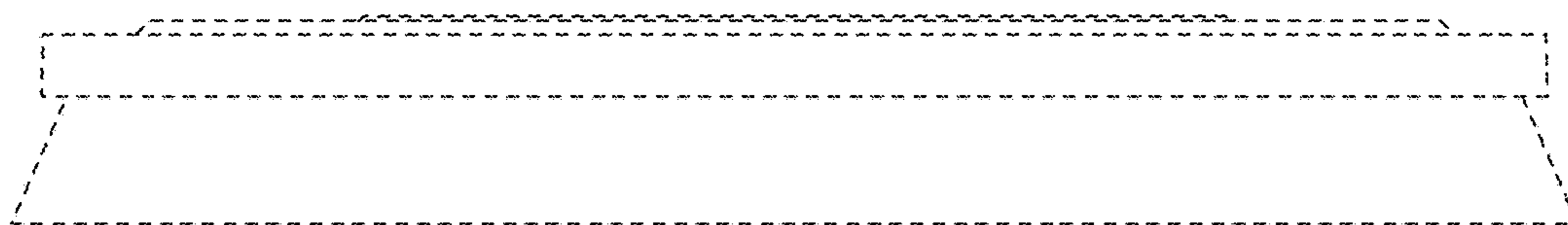


FIG. 3

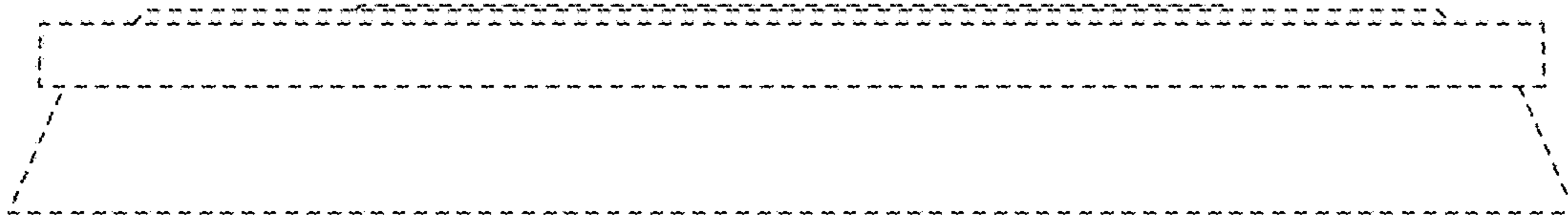


FIG. 4

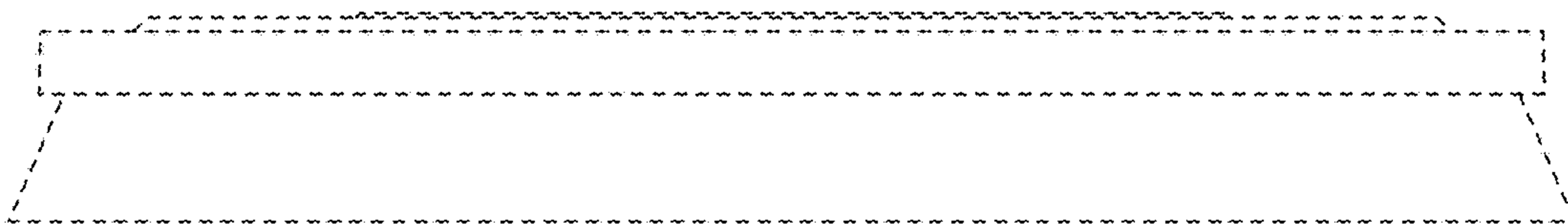


FIG. 5

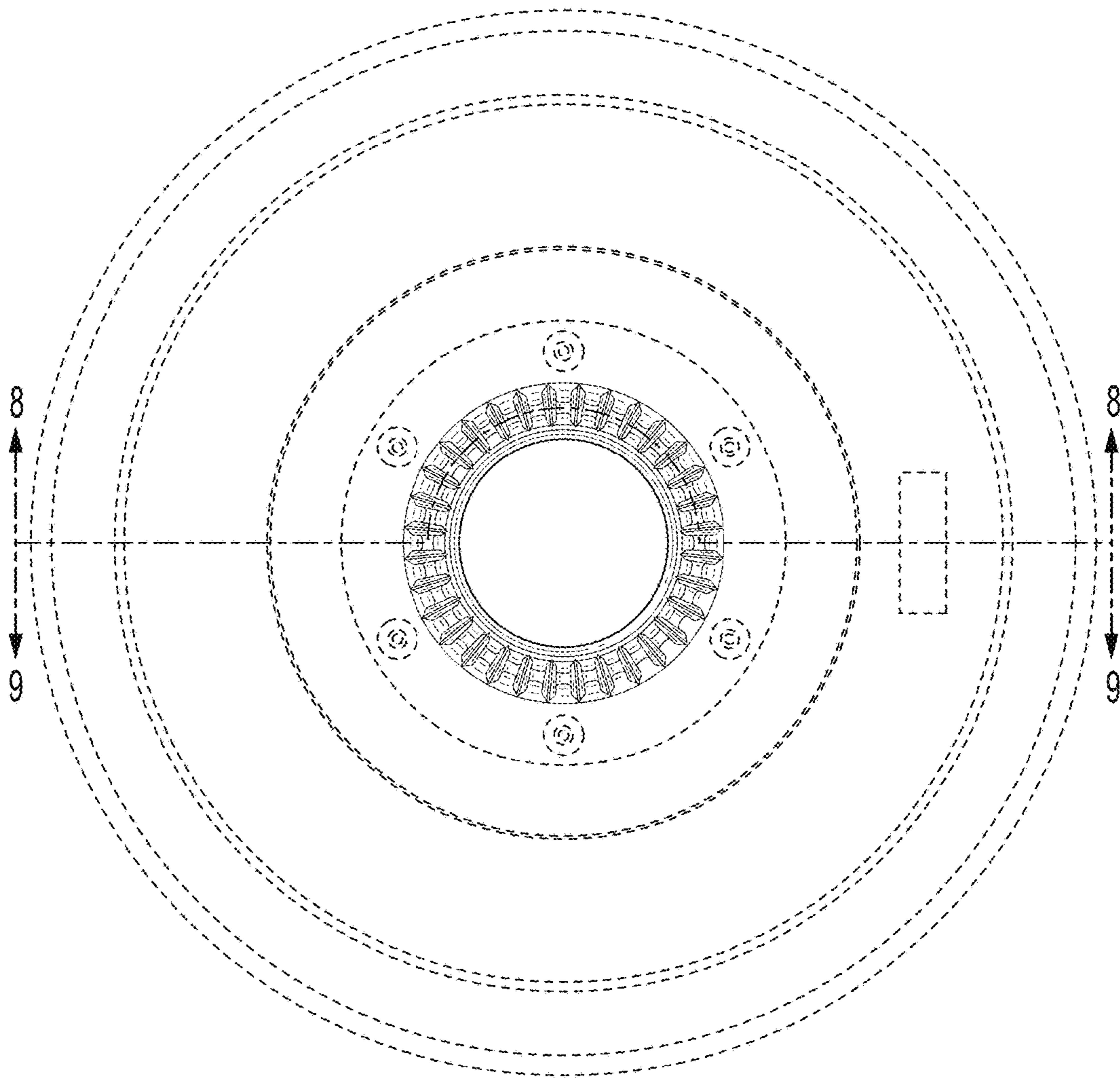


FIG. 6

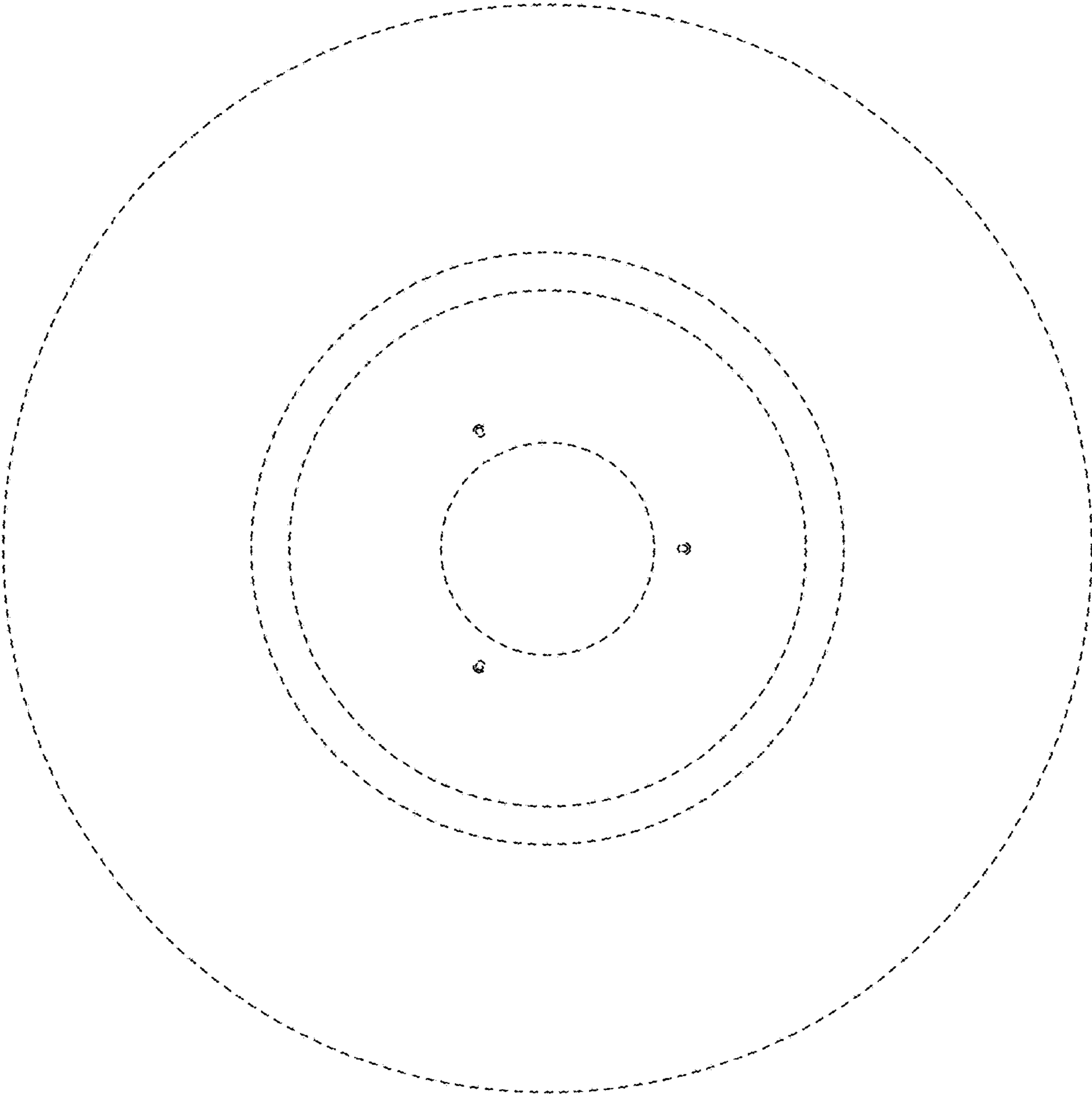


FIG. 7

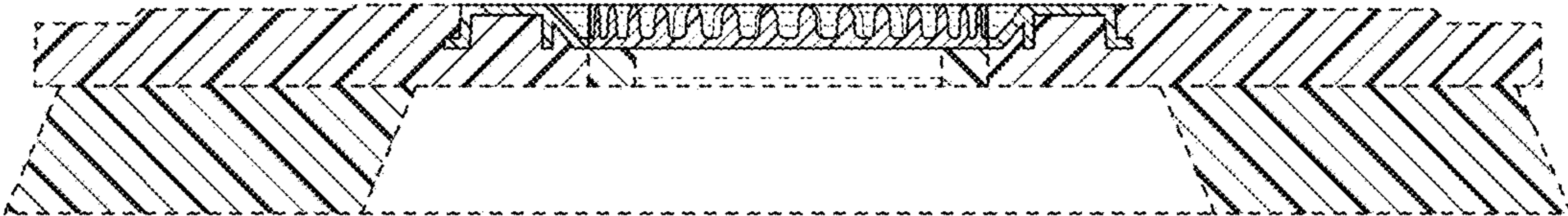


FIG. 8

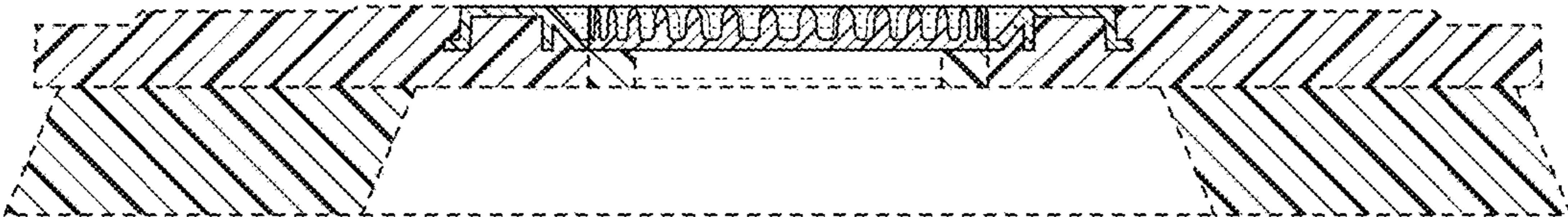


FIG. 9