



US00D817566S

(12) **United States Design Patent**
Ha et al.

(10) **Patent No.:** **US D817,566 S**

(45) **Date of Patent:** **** May 8, 2018**

(54) **WASHING MACHINE**

(56) **References Cited**

(71) Applicant: **LG ELECTRONICS INC.**, Seoul (KR)

U.S. PATENT DOCUMENTS

(72) Inventors: **Youngsoo Ha**, Seoul (KR); **Eunyoung Chee**, Seoul (KR); **Byeongkook Kim**, Seoul (KR); **Jaeil Bae**, Seoul (KR)

D589,215 S *	3/2009	Cho	D32/6
D613,009 S *	3/2010	DeSalvo	D32/6
D688,427 S *	8/2013	Meda	D32/6
D692,194 S *	10/2013	Meda	D32/6
D695,472 S *	12/2013	Borjesson	D32/6
D733,371 S *	6/2015	Chung	D32/6
D744,704 S *	12/2015	Ha	D32/6
D746,521 S *	12/2015	Ha	D32/6
D808,093 S *	1/2018	Ha	D32/6
D808,094 S *	1/2018	Ha	D32/6

(73) Assignee: **LG Electronics Inc.**, Seoul (KR)

(**) Term: **15 Years**

* cited by examiner

(21) Appl. No.: **35/502,551**

(22) Filed: **Sep. 8, 2016**

Primary Examiner — Michael A. Pratt

(80) **Hague Agreement Data**

Int. Filing Date: **Sep. 8, 2016**
Int. Reg. No.: **DM/092441**
Int. Reg. Date: **Sep. 8, 2016**
Int. Reg. Pub. Date: **Mar. 10, 2017**

(74) *Attorney, Agent, or Firm* — Birch, Stewart, Kolasch & Birch, LLP

(57) **CLAIM**

The ornamental design for a washing machine, as shown and described.

(30) **Foreign Application Priority Data**

Mar. 16, 2016 (KR) 30-2016-0012166

DESCRIPTION

(51) **LOC (11) Cl.** **15-05**

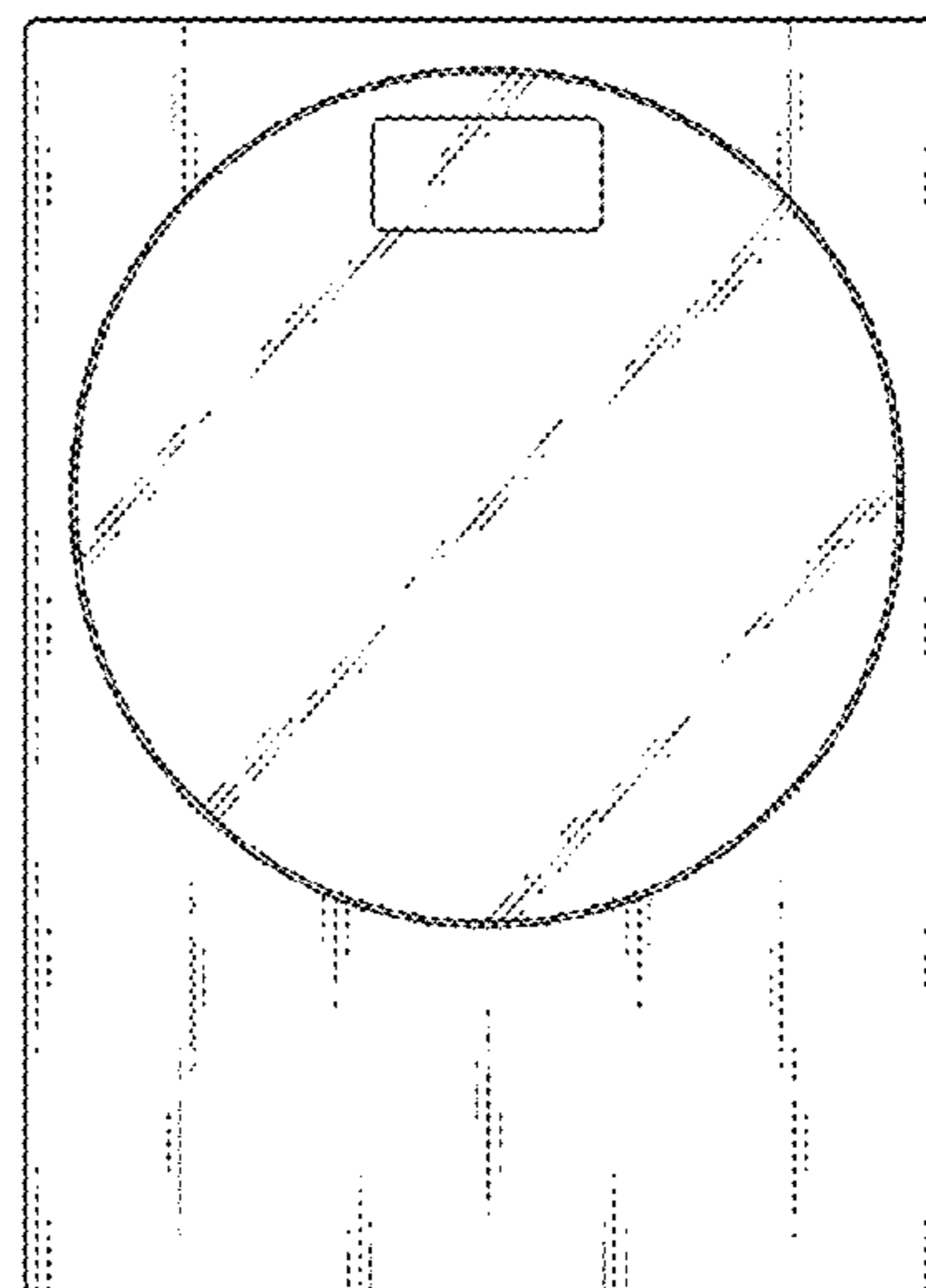
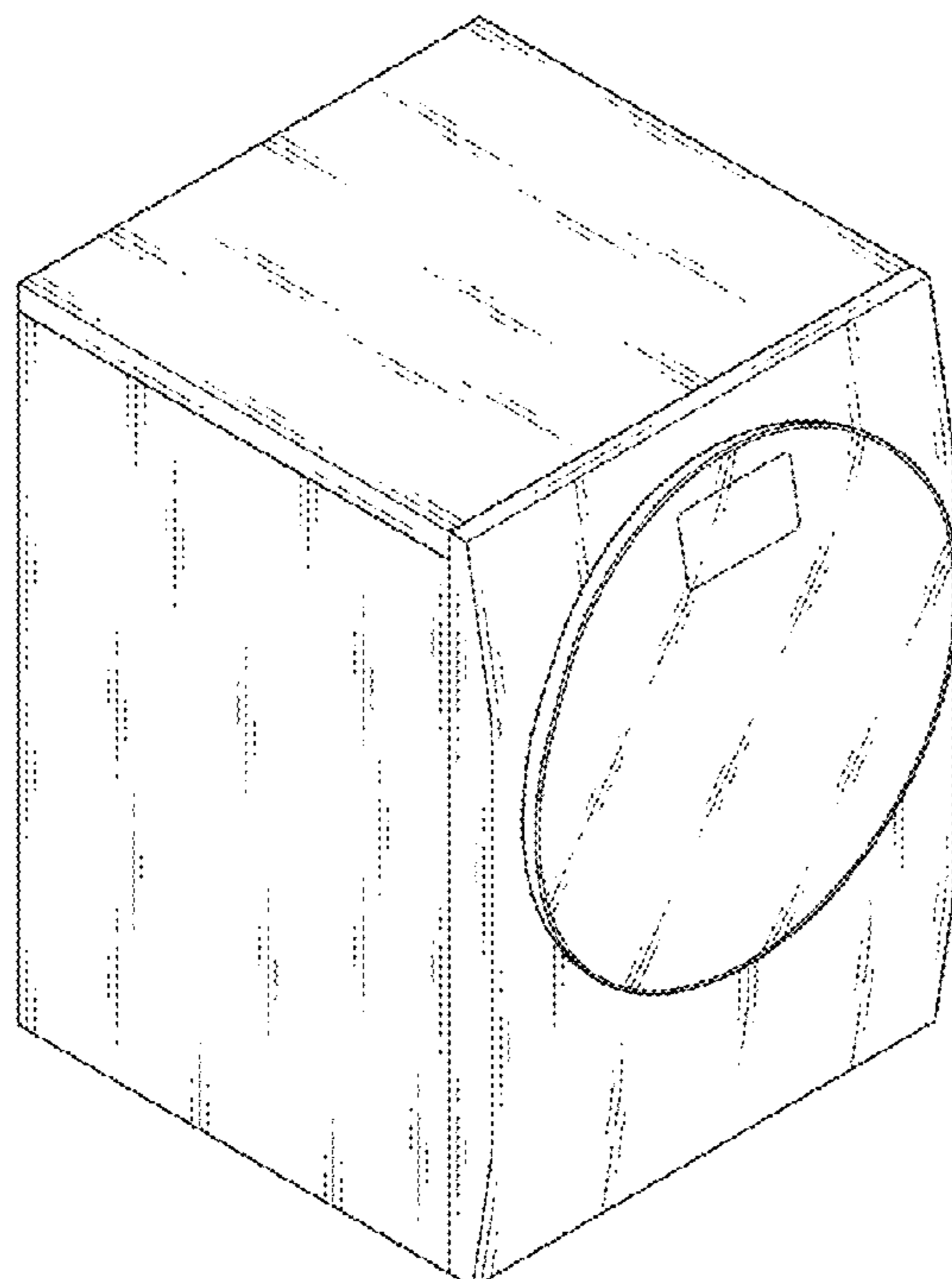
(52) **U.S. Cl.**
USPC **D32/6**

(58) **Field of Classification Search**
USPC D32/5, 6, 8
CPC D06F 39/045; D06F 29/00; D06F 29/005;
D06F 25/00; D06F 39/022; D06F 33/02;
D06F 2204/065; D06F 35/006

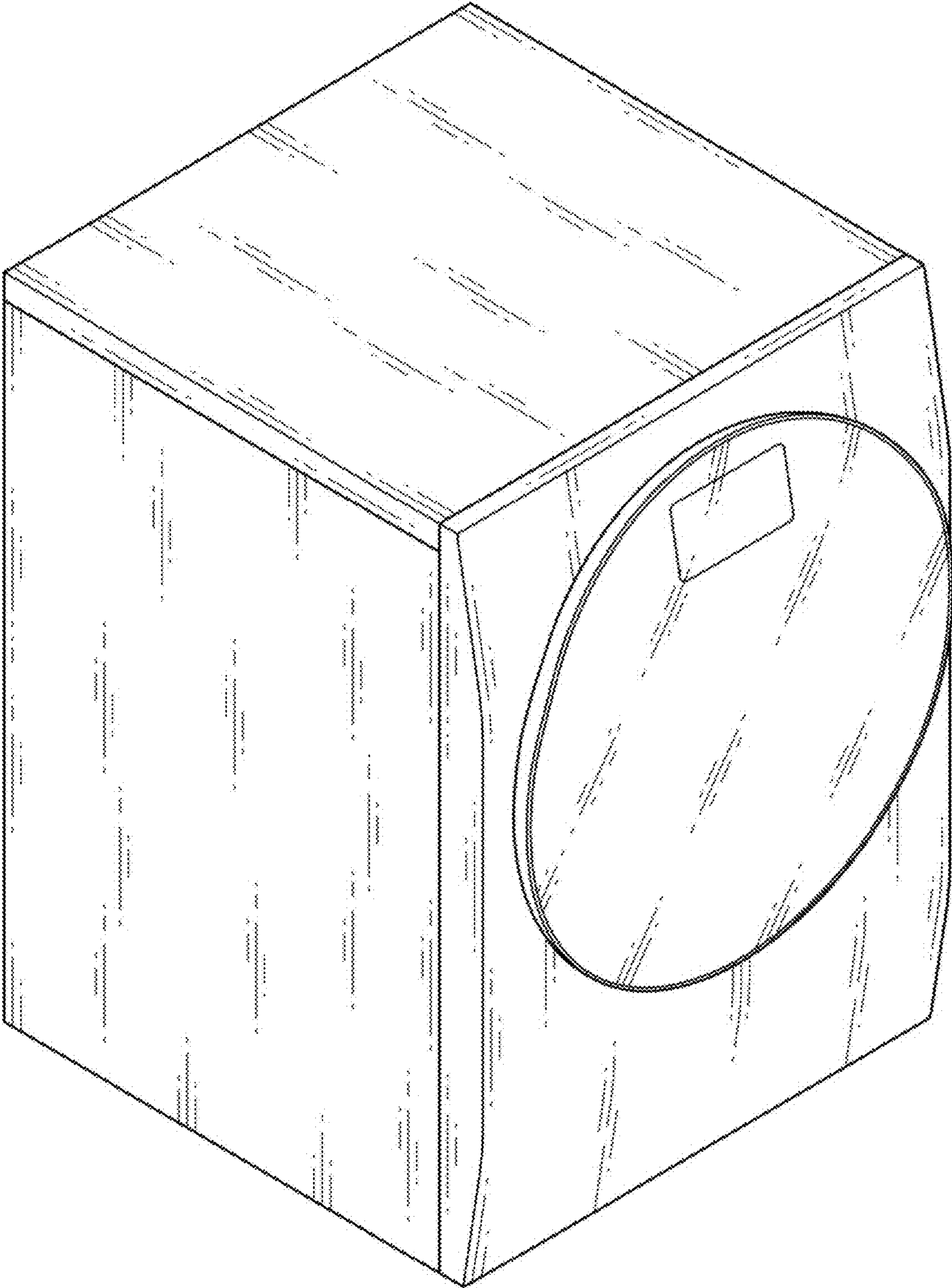
1. Washing machine
- 1.1 is a Perspective View;
- 1.2 is a Front Elevation View;
- 1.3 is a Rear Elevation View;
- 1.4 is a Left Side View;
- 1.5 is a Right Side View;
- 1.6 is a Top Plan view; and
- 1.7 is a Bottom Plan View.

See application file for complete search history.

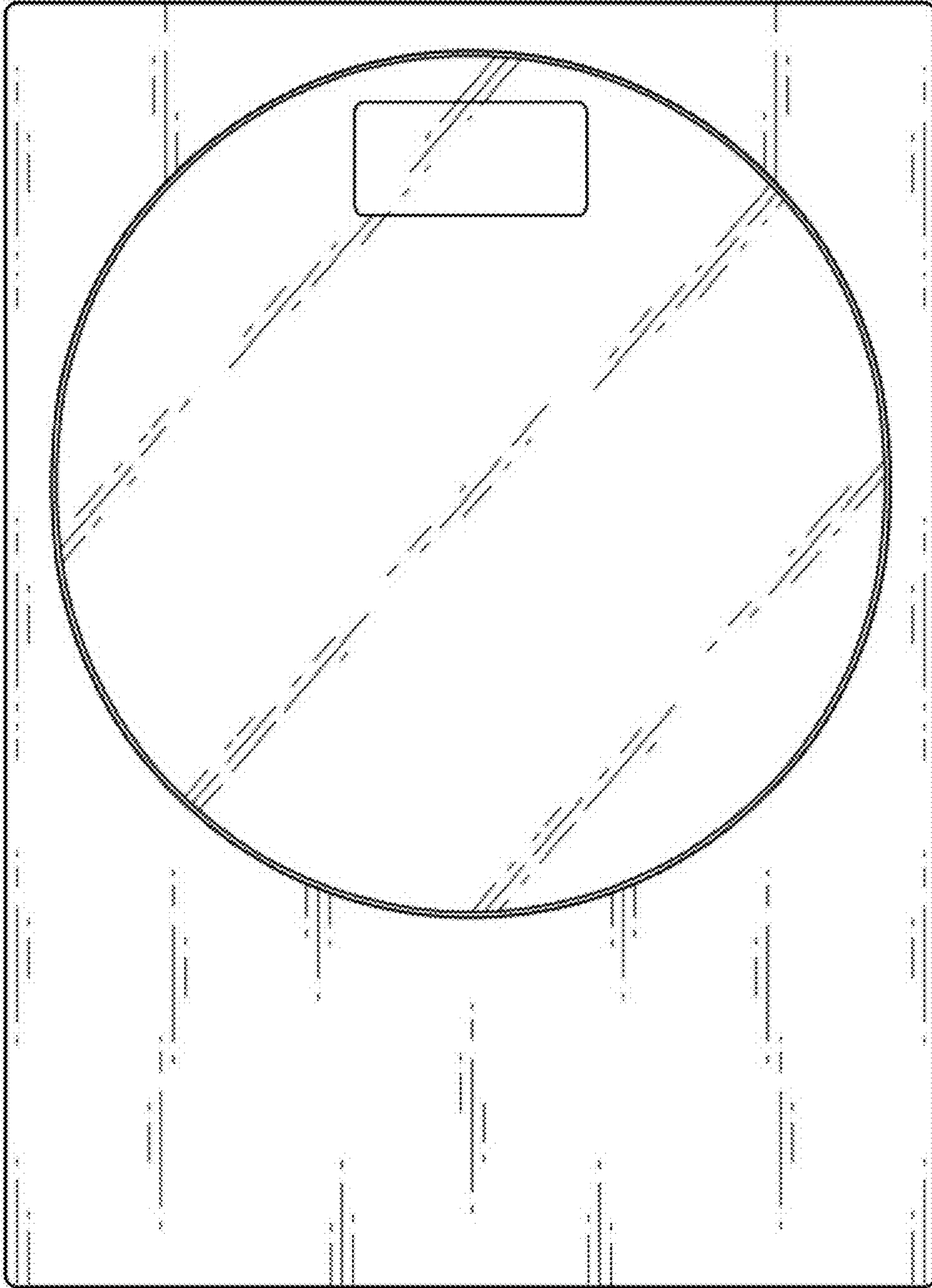
1 Claim, 7 Drawing Sheets



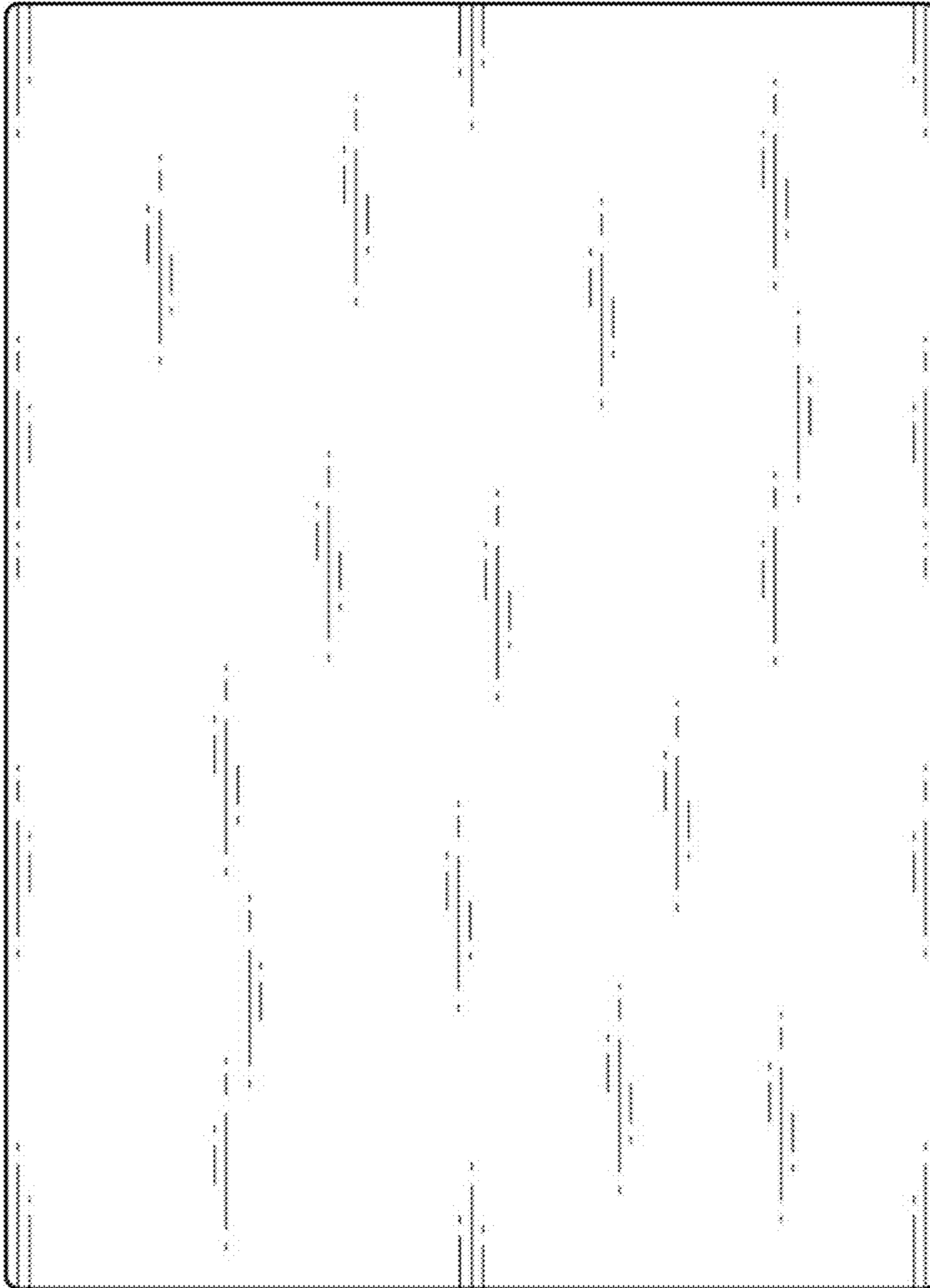
1.1



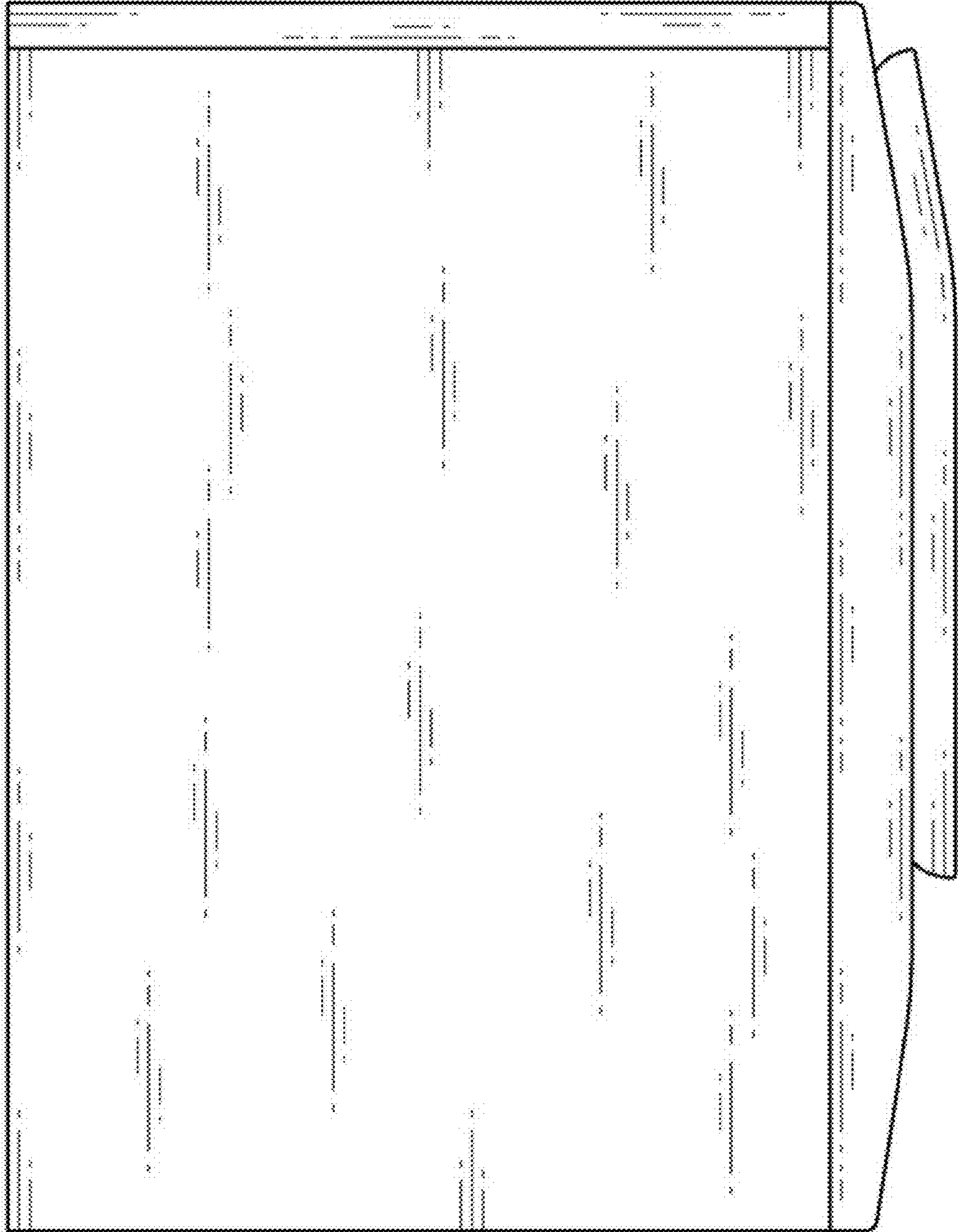
1.2



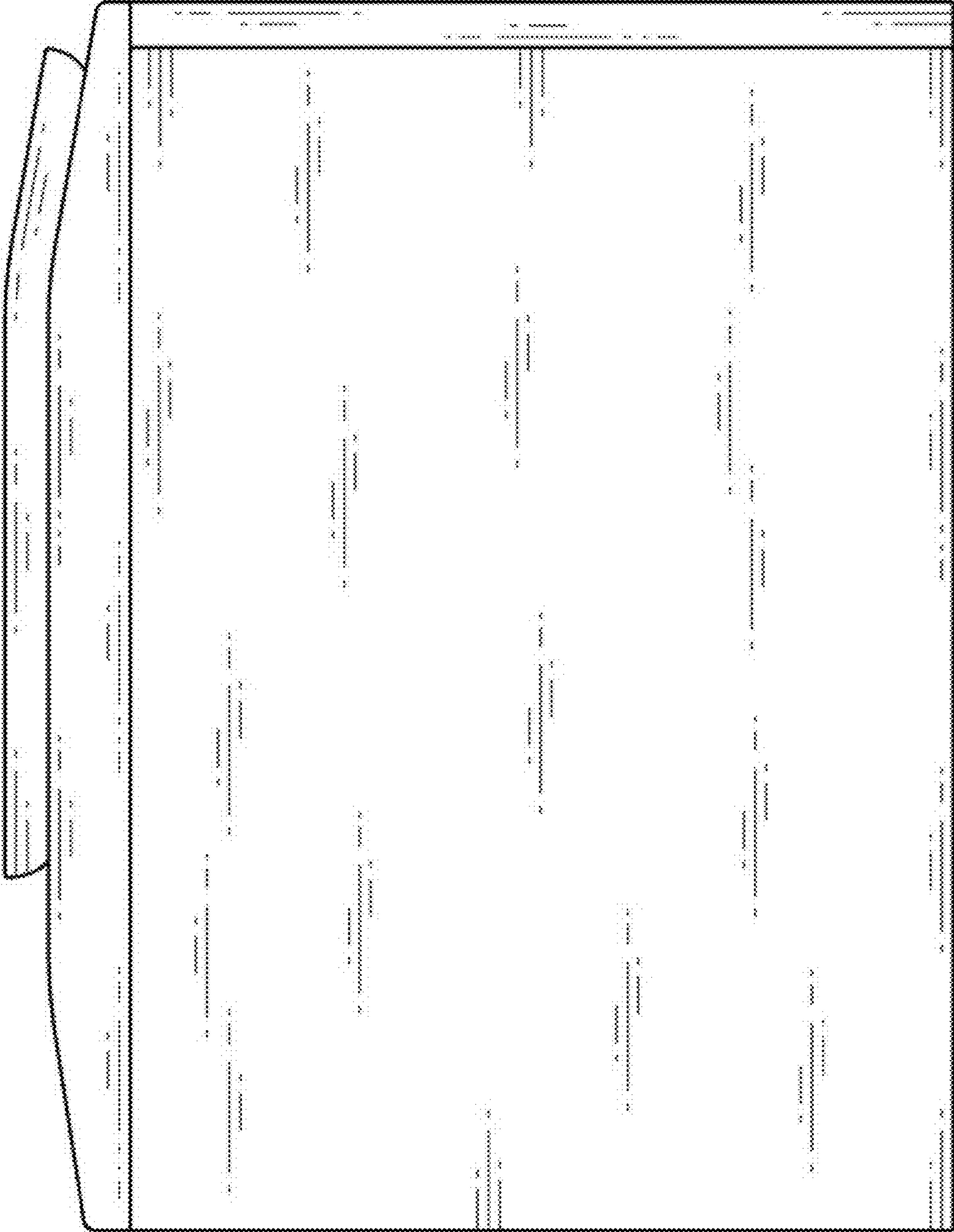
1.3



1.4



1.5



1.6



1.7

