



US00D817565S

(12) **United States Design Patent** (10) **Patent No.:** **US D817,565 S**  
**Ha et al.** (45) **Date of Patent:** **\*\* May 8, 2018**

(54) **WASHING MACHINE**

(56) **References Cited**

(71) Applicant: **LG ELECTRONICS INC.**, Seoul (KR)

U.S. PATENT DOCUMENTS

(72) Inventors: **Youngsoo Ha**, Seoul (KR); **Taewoo Yoo**, Seoul (KR); **Eunyoung Chee**, Seoul (KR); **Jeaseok Seong**, Seoul (KR)

D374,521 S	*	10/1996	Jackovin	.....	D32/5
D556,956 S	*	12/2007	Kim	.....	D32/6
D588,757 S	*	3/2009	Park	.....	D32/6
D688,427 S	*	8/2013	Meda	.....	D32/6
D692,194 S	*	10/2013	Meda	.....	D32/6
D695,472 S	*	12/2013	Borjesson	.....	D32/6
D730,596 S	*	5/2015	Kim	.....	D32/6
D739,098 S	*	9/2015	Qin	.....	D32/6
D770,103 S	*	10/2016	Ha	.....	D32/6
D770,706 S	*	11/2016	Ha	.....	D32/6
D770,707 S	*	11/2016	Ha	.....	D32/6
D771,330 S	*	11/2016	Ha	.....	D32/6
D774,715 S	*	12/2016	Kim	.....	D32/6
D808,093 S	*	1/2018	Ha	.....	D32/6
D808,094 S	*	1/2018	Ha	.....	D32/6

(73) Assignee: **LG Electronics Inc.**, Seoul (KR)

(\*\*) Term: **15 Years**

(21) Appl. No.: **35/502,548**

(22) Filed: **Sep. 8, 2016**

\* cited by examiner

(80) **Hague Agreement Data**

Int. Filing Date: **Sep. 8, 2016**  
Int. Reg. No.: **DM/092428**  
Int. Reg. Date: **Sep. 8, 2016**  
Int. Reg. Pub. Date: **Mar. 10, 2017**

*Primary Examiner* — Michael A. Pratt  
(74) *Attorney, Agent, or Firm* — Birch, Stewart, Kolasch & Birch, LLP

(30) **Foreign Application Priority Data**

Mar. 16, 2016 (KR) ..... 30-2016-0012161

(51) **LOC (11) Cl.** ..... **15-05**

(52) **U.S. Cl.**  
USPC ..... **D32/6**

(58) **Field of Classification Search**  
USPC ..... D32/5, 6, 8  
CPC ..... D06F 39/045; D06F 29/00; D06F 29/005;  
D06F 25/00; D06F 39/022; D06F 33/02;  
D06F 2204/065; D06F 35/006

See application file for complete search history.

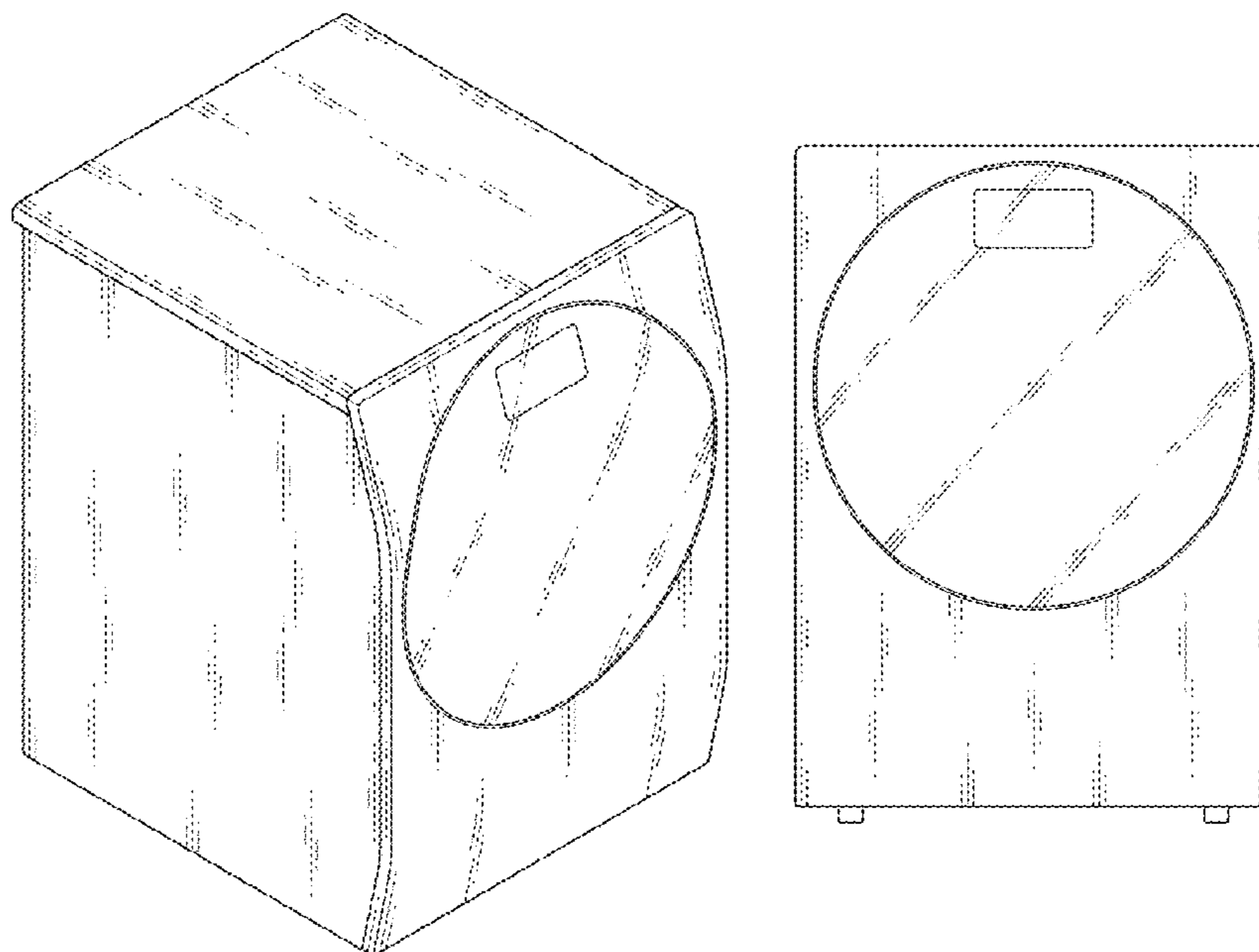
(57) **CLAIM**

The ornamental design for a washing machine, as shown and described.

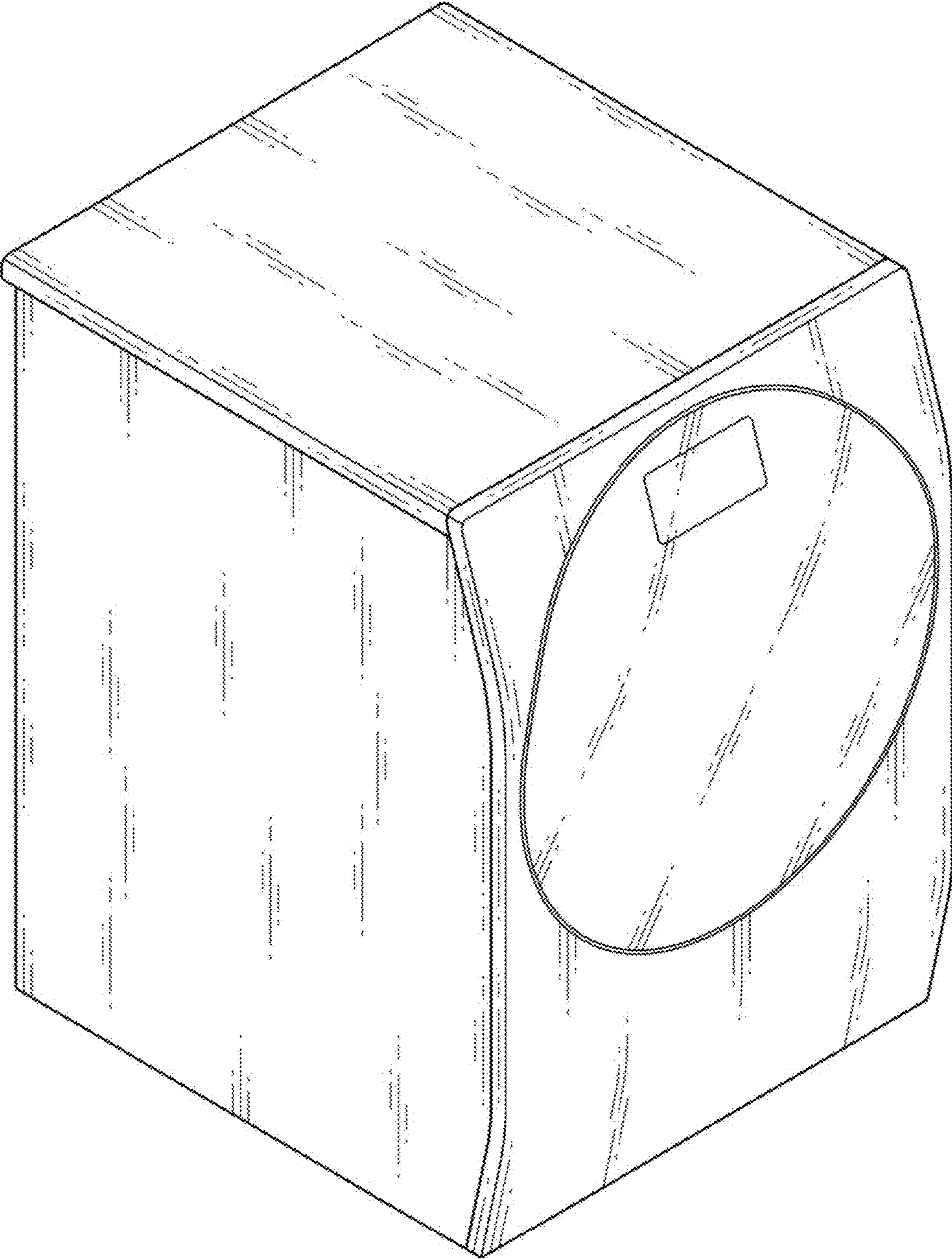
**DESCRIPTION**

1. Washing machine
- 1.1 is a Perspective View
- 1.2 is a is a Front Elevation View
- 1.3 is a is a Rear Elevation View
- 1.4 is a is Left Side View
- 1.5 is a Right Side View
- 1.6 is a Top Plan view
- 1.7 is a Bottom Plan View

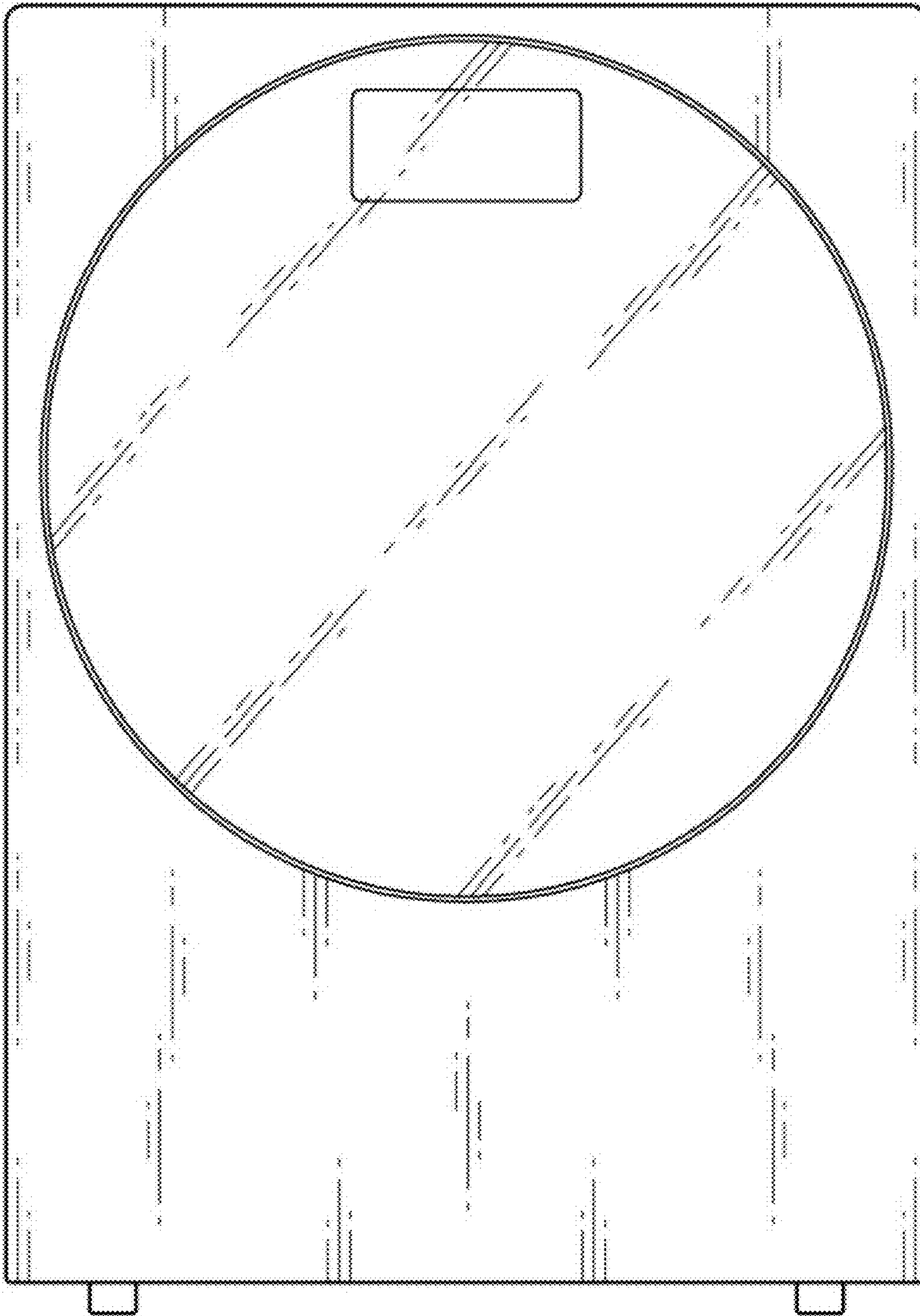
**1 Claim, 7 Drawing Sheets**



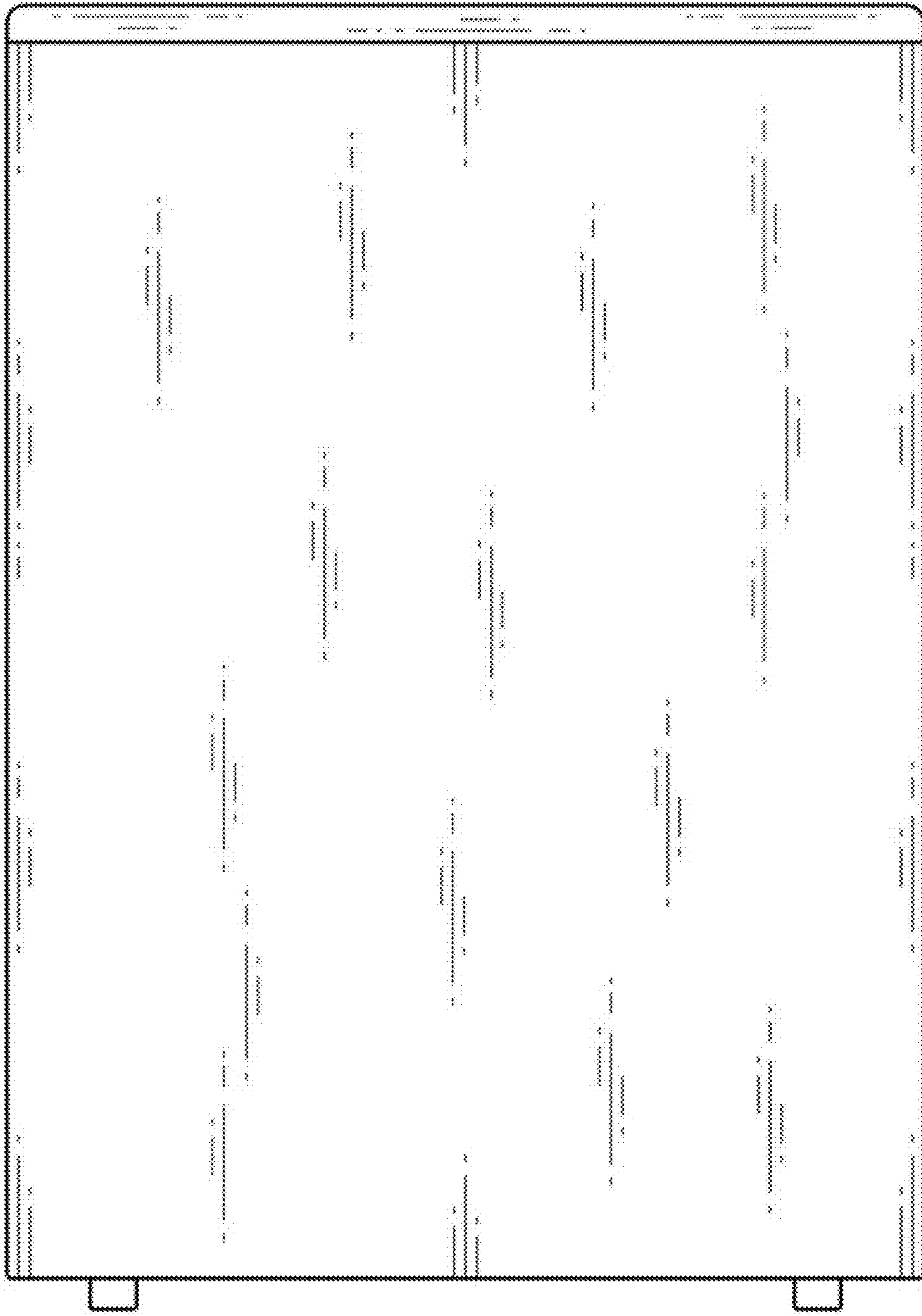
1.1



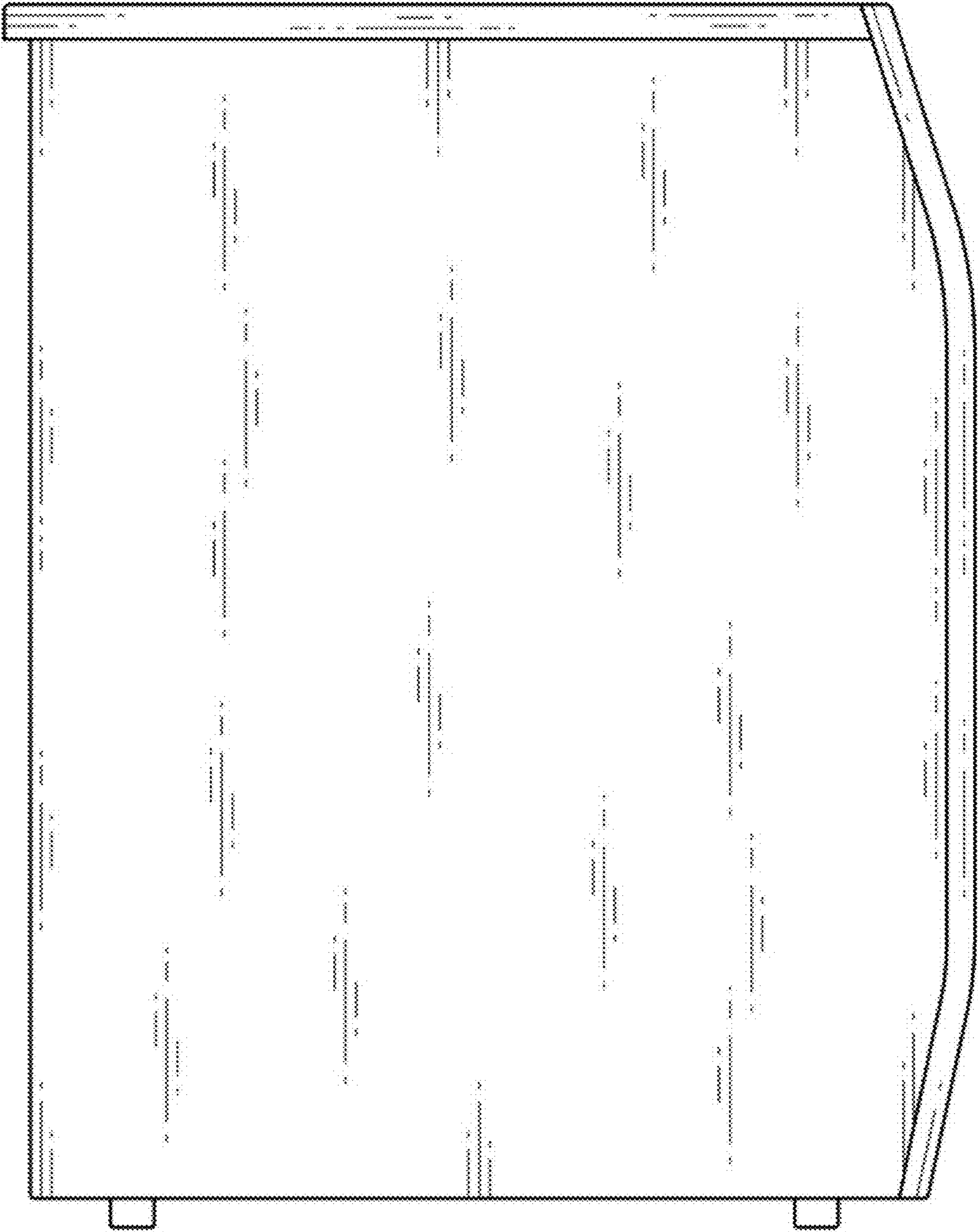
1.2



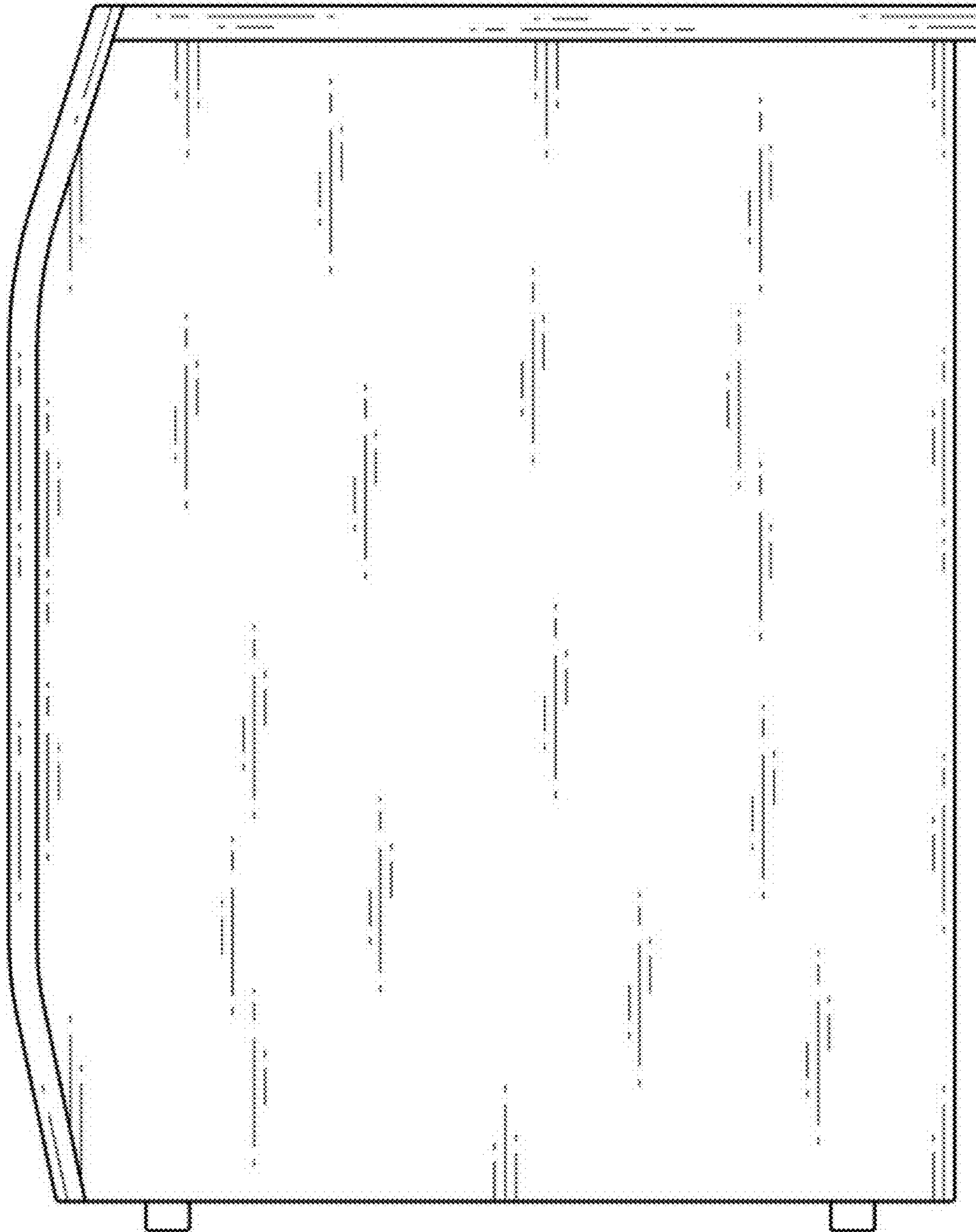
1.3



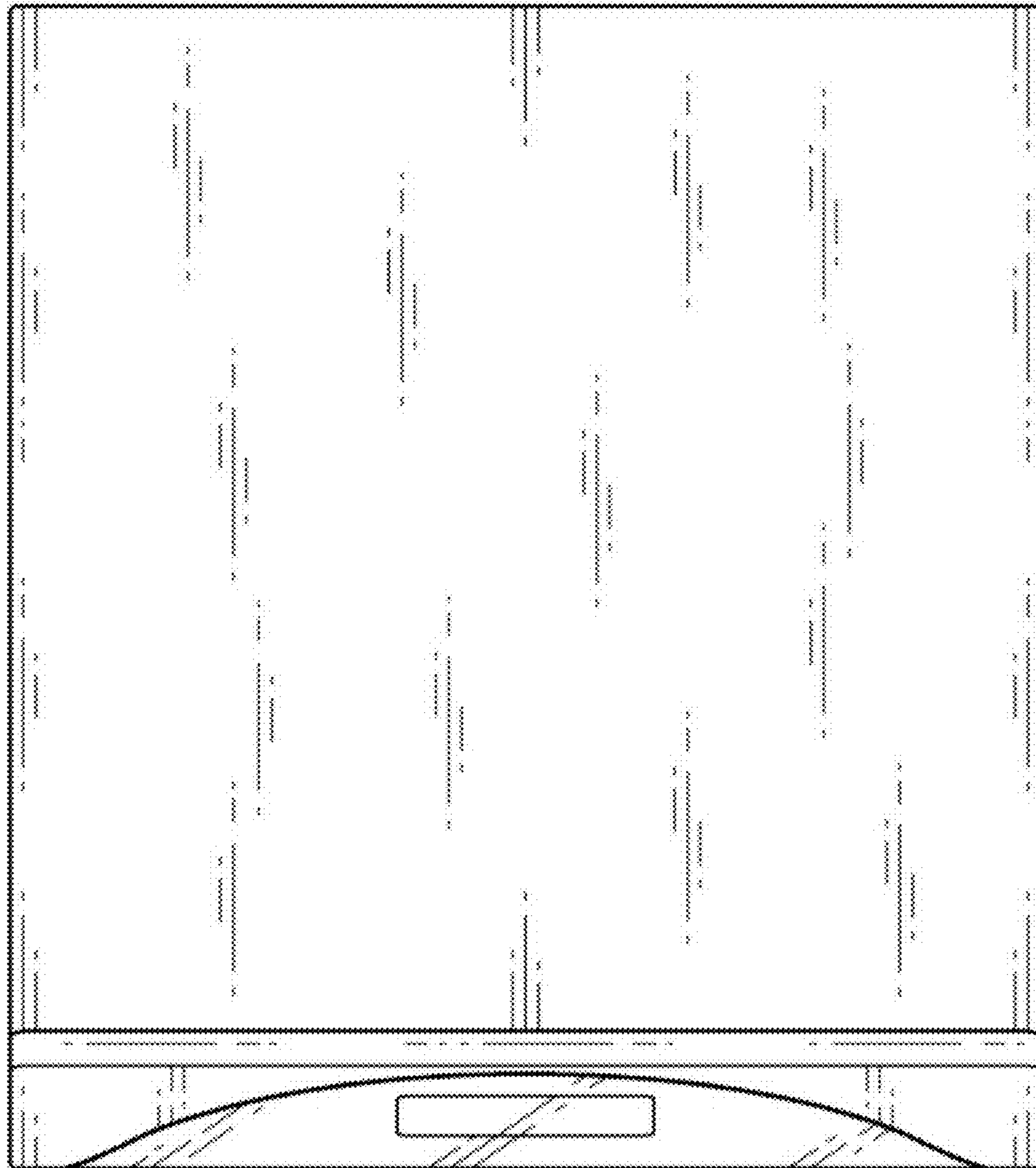
1.4



1.5



1.6



1.7

