



US00D817561S

(12) **United States Design Patent** (10) **Patent No.:** **US D817,561 S**
Pater et al. (45) **Date of Patent:** **** May 8, 2018**

(54) **DOG CHEW TOY** D638,589 S * 5/2011 Axelrod D30/160
D639,695 S * 6/2011 Nudelman D11/56
(71) Applicant: **Paragon Pet Products Europe B.V.,** D658,825 S * 5/2012 Wolfe, Jr. D30/160
Veendam (NL) D664,723 S * 7/2012 Wolfe, Jr. D30/160
8,464,664 B1 * 6/2013 Scheffler A01K 15/025
119/707
(72) Inventors: **Willem Theodoor Martinus Pater,** 8,985,060 B2 * 3/2015 Angle A01K 15/025
Veendam (NL); **JanJaap Freije,** 119/707
Veendam (NL) D786,128 S * 5/2017 Leung D11/103
D790,354 S * 6/2017 Veletakos D9/538
(73) Assignee: **Paragon Pet Products Europe B.V.,** 2016/0106068 A1 * 4/2016 Axelrod A01K 15/026
Veendam (NL) 119/710

(**) Term: **15 Years**

(21) Appl. No.: **29/570,703**

(22) Filed: **Jul. 11, 2016**

(51) **LOC (11) Cl.** **30-99**

(52) **U.S. Cl.**
USPC **D30/160**

(58) **Field of Classification Search**
USPC D30/160; D21/415, 438, 547, 563, 576;
119/702, 707, 709, 741, 727, 801, 868;
D1/99
CPC A01K 15/00; A01K 15/02; A01K 15/025;
A01K 15/026

See application file for complete search history.

(56) **References Cited**

U.S. PATENT DOCUMENTS

5,647,302 A * 7/1997 Shipp A01K 15/026
119/709
7,600,488 B2 * 10/2009 Mann A01K 15/026
119/710
D628,932 S * 12/2010 Tirakian D11/1

FOREIGN PATENT DOCUMENTS

CA 2286248 A1 * 4/2000 A01K 5/0114
EP 002863464-0001 11/2015

* cited by examiner

Primary Examiner — Caron D Veynar
Assistant Examiner — Mehri F Bajoul
(74) *Attorney, Agent, or Firm* — McNeese Wallace &
Nurick LLC

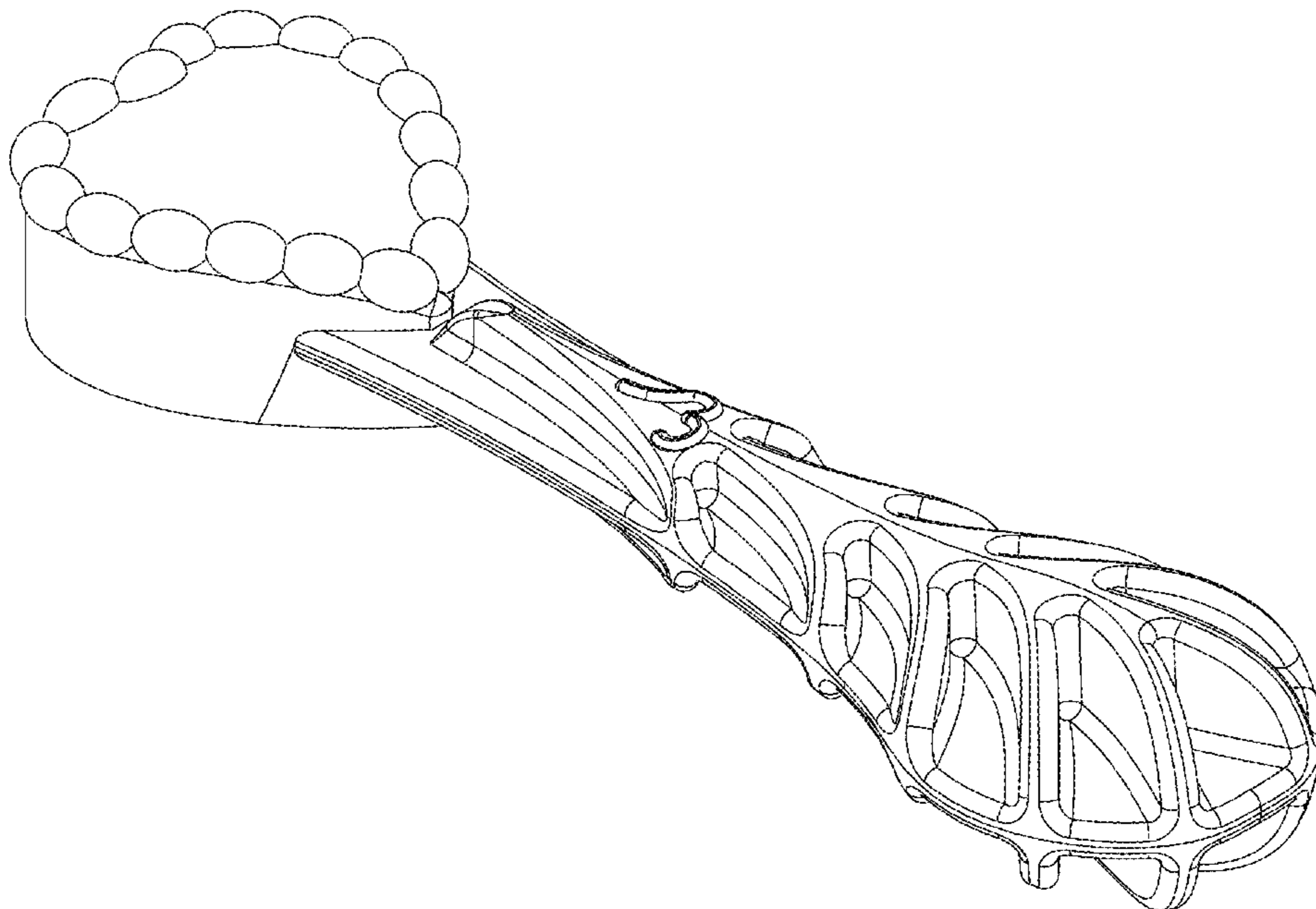
(57) **CLAIM**

The ornamental design for a dog chew toy, as shown and described.

DESCRIPTION

FIG. 1 is a perspective view showing our new design;
FIG. 2 is a bottom elevational view thereof;
FIG. 3 is a front elevational view thereof;
FIG. 4 is a rear elevational view thereof;
FIG. 5 is a right side elevational view thereof; and,
FIG. 6 is a top elevational view thereof.

1 Claim, 6 Drawing Sheets



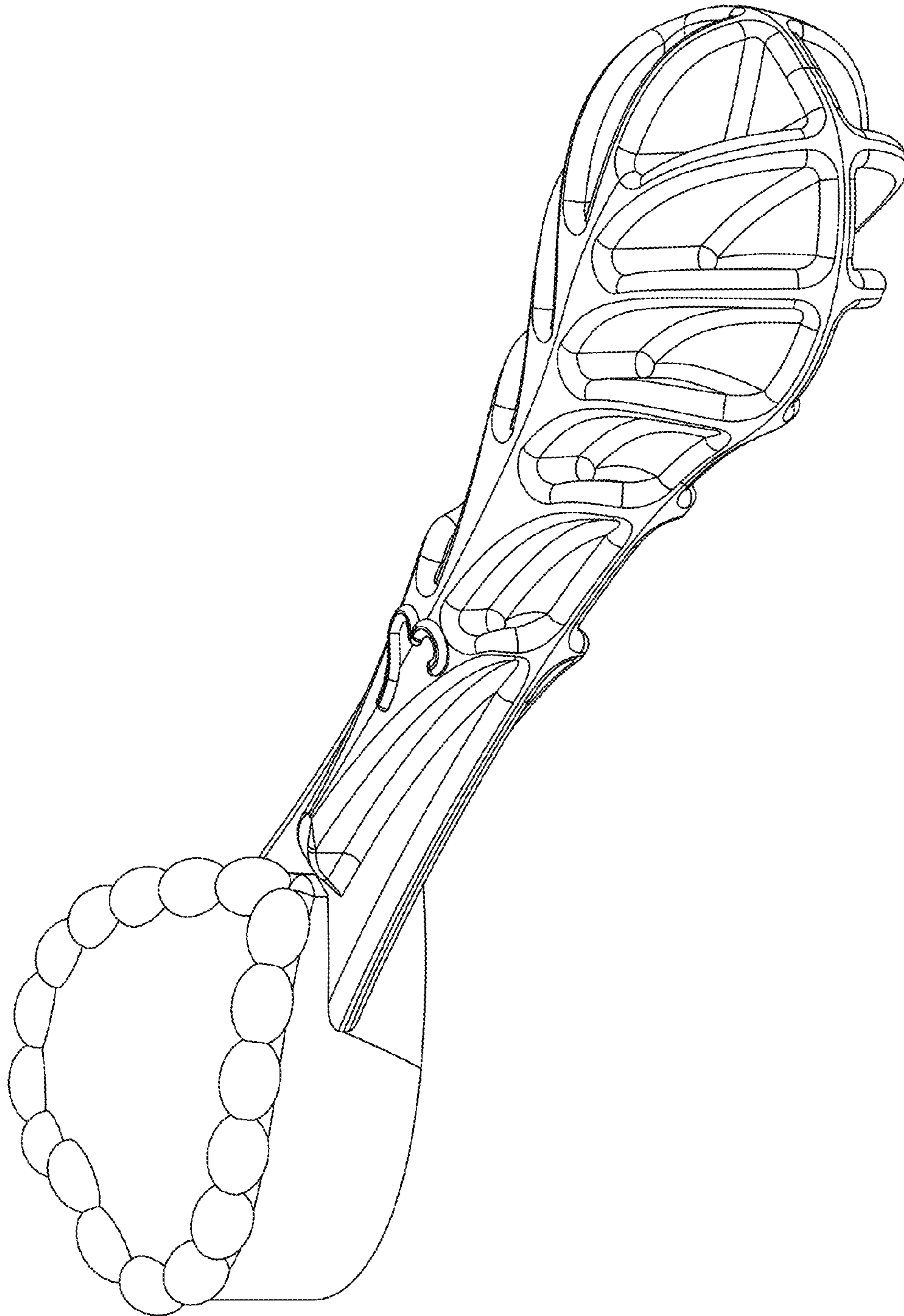


FIG. 1

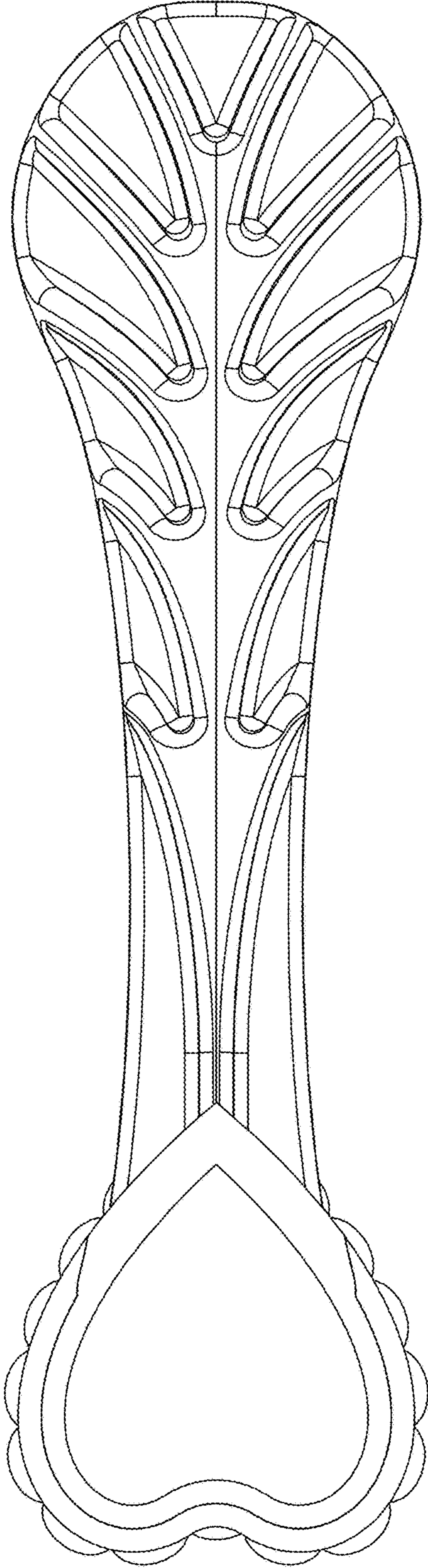


FIG. 2

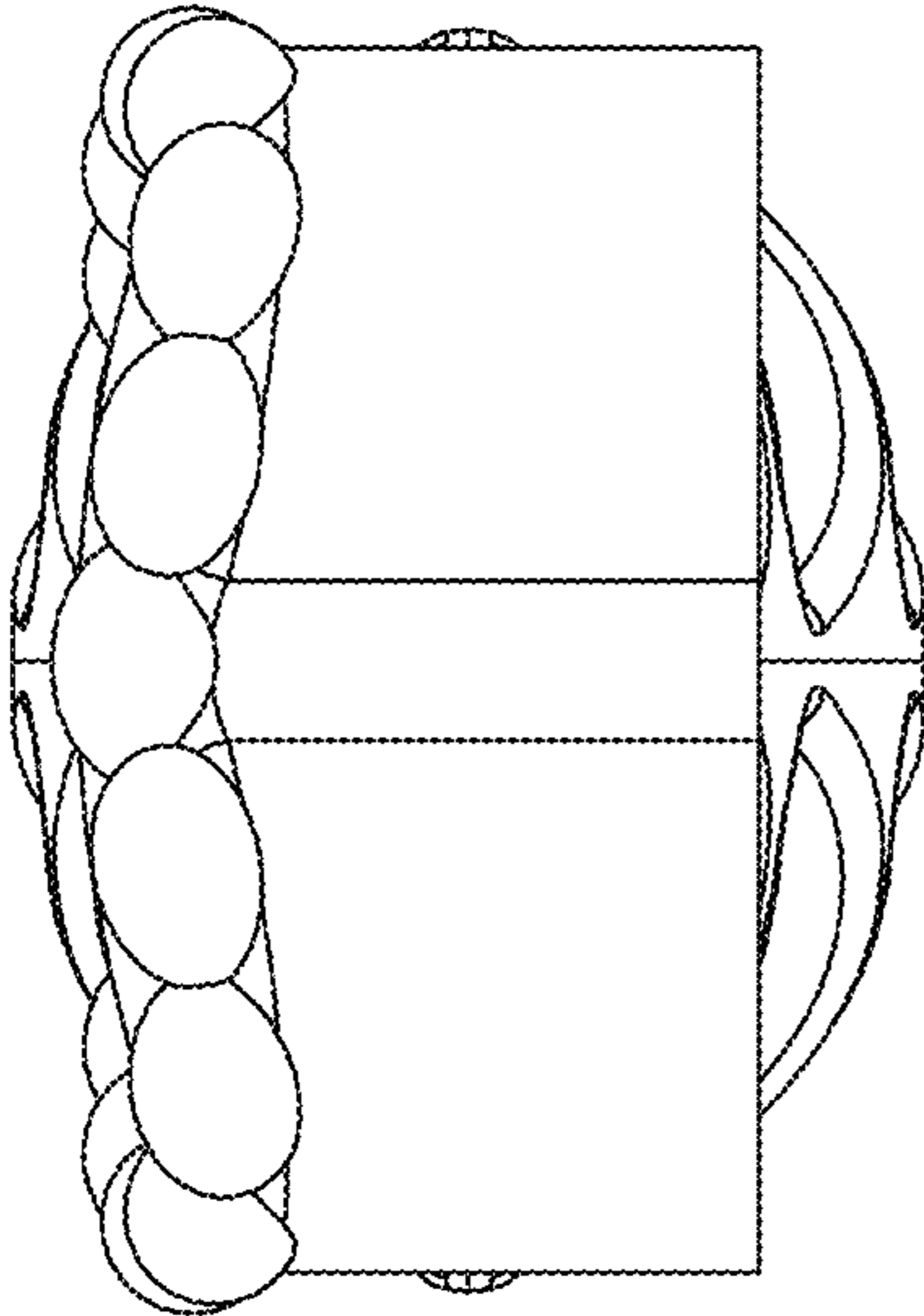


FIG. 3

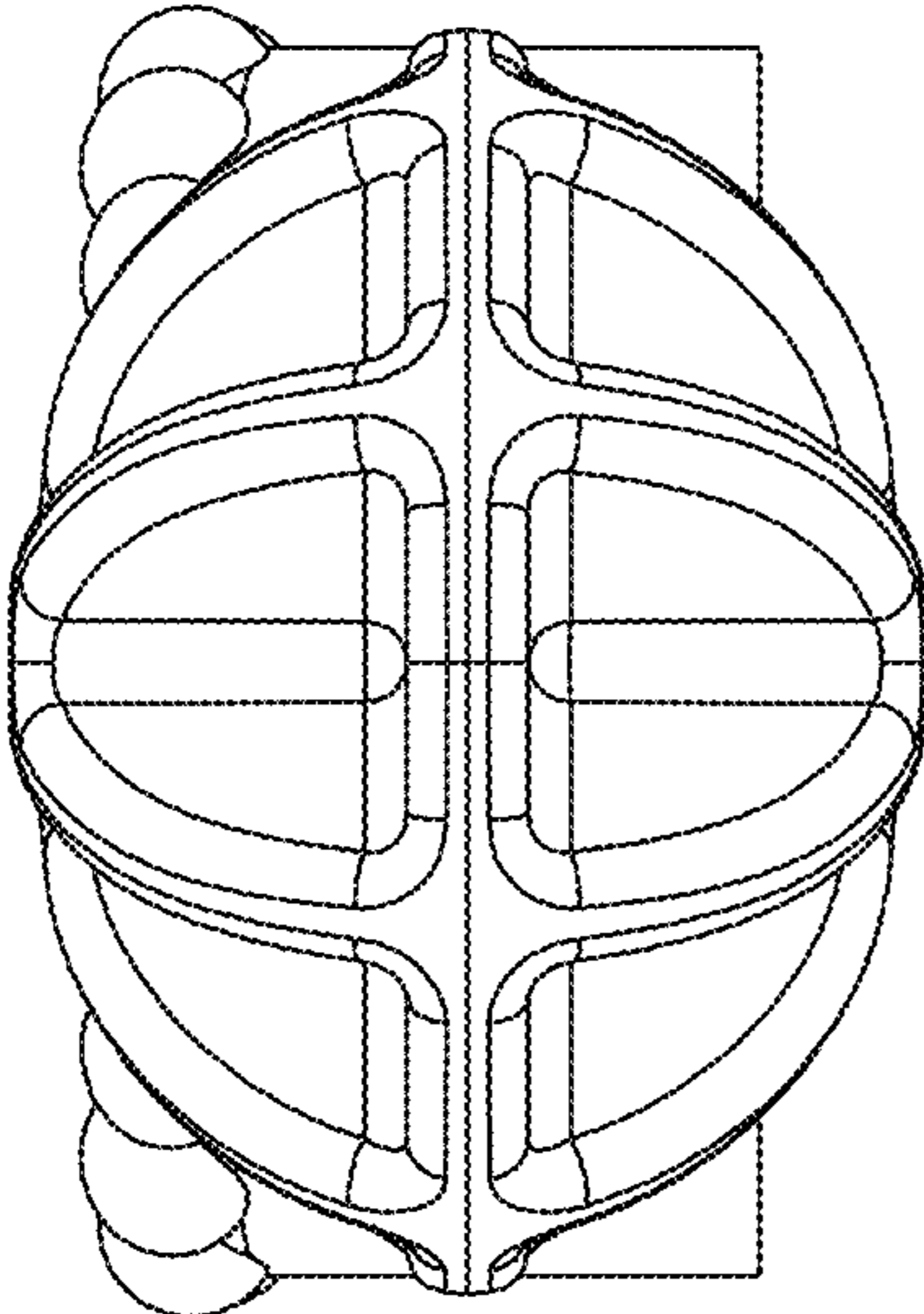


FIG. 4

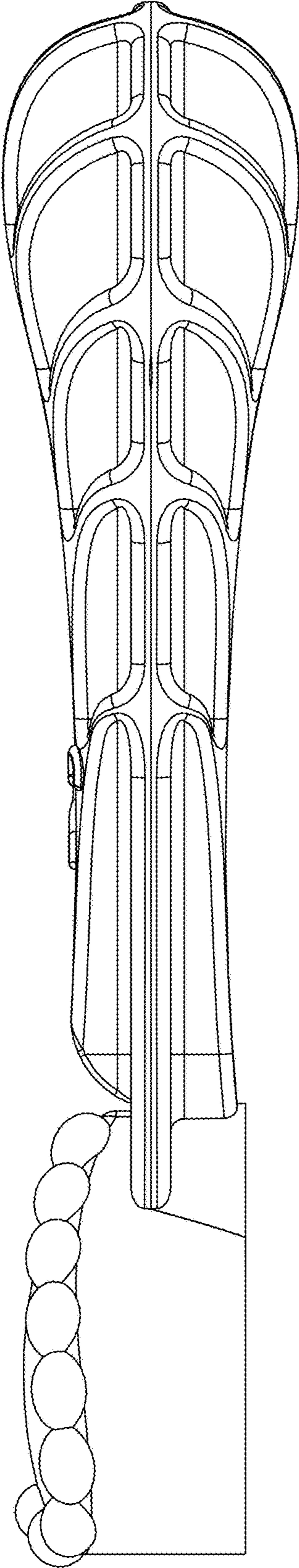


FIG. 5

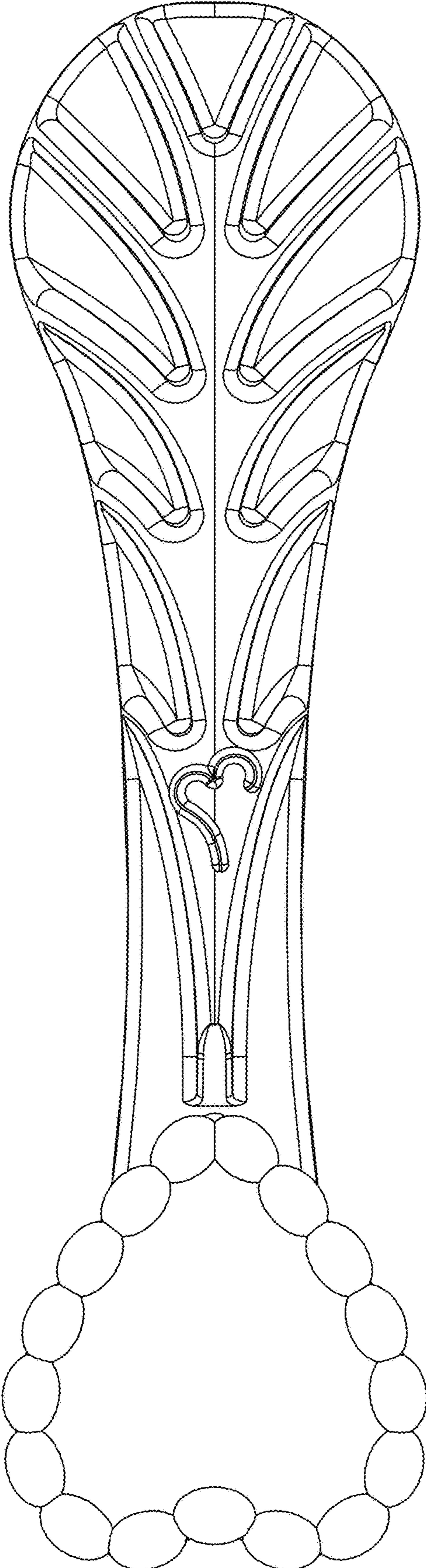


FIG. 6