



US00D817560S

(12) **United States Design Patent**  
**Tipton**

(10) **Patent No.:** **US D817,560 S**

(45) **Date of Patent:** **\*\* May 8, 2018**

(54) **ANIMAL GROOMING TOOL WITH WAVE  
PATTERN BLADE TEETH**

24/02; A46B 5/02; A46B 5/021; A46B  
5/026; A46B 5/028; A46B 2200/1093;  
A46B 2200/10

(71) Applicant: **Jennifer Tipton**, Billings, MT (US)

See application file for complete search history.

(72) Inventor: **Jennifer Tipton**, Billings, MT (US)

(56) **References Cited**

(\*\*) Term: **15 Years**

U.S. PATENT DOCUMENTS

(21) Appl. No.: **29/551,045**

194,820 A \* 9/1877 Holmes ..... A01K 13/002  
119/631

(22) Filed: **Jan. 9, 2016**

206,526 A \* 7/1878 Beach ..... A01K 13/002  
119/613

(51) **LOC (11) Cl.** ..... **30-99**

335,072 A \* 1/1886 Howe ..... A01K 13/002  
119/631

(52) **U.S. Cl.**

(Continued)

USPC ..... **D30/159**; D30/158

(58) **Field of Classification Search**

OTHER PUBLICATIONS

USPC ..... D30/158, 159, 199, 162, 106; 119/625,  
119/633, 600, 617, 628, 632, 631, 613,  
119/618, 619, 620, 611; 132/126, 142;  
30/114, 130, 301, 305, 315, 316, 299,  
30/303, 306, 169, 322, 31, 30, 279.2,  
30/280, 287, 294, 199, 329-344, 346.56,  
30/346.61, 355, 357; D7/672-676, 687,  
D7/686, 634, 619, 688, 653; 425/298;  
426/503; D4/136, 127, 124-126,  
D4/116-118, 199, 194; D32/42, 25;  
D23/261; 2/160; 172/379, 380; D6/415,  
D6/410, 411; 294/1.3, 1.5, 55, 99.1, 49,  
294/7, 9, 99.2, 118, 119, 19.2, 52;  
209/418; D24/211, 147; D21/532, 398;  
D19/36; 34/381, 103, 104, 107;  
D11/104, 86; 56/400.01, 400.1, 400.17,  
56/400.21, 400.05, 400.04, 330; 403/329,  
403/326, 361; 15/402, 142, 236.07,  
15/236.08, 236.05; 601/137, 136, 80, 93,  
601/95, 97, 101, 103, 138, 143-147;  
D28/91.2, 63, 52, 31; D8/13, 6, 10, 11,  
D8/12, 1; 126/173, 214 C, 25 R; 99/450  
CPC ..... A01K 13/00; A01K 13/002; B26B 19/24;  
B26B 19/063; B26B 21/16; B26B 21/18;  
B26B 21/521; B26B 21/4075; B26B  
21/522; A45D 24/30; A45D 24/00; A45D  
24/04; A45D 24/10; A45D 24/36; A45D

Furry Fido Horse fur removal tool, 2017, www.amazon.com, 1  
page.\*  
SleekEZ Grooming Blade Tools, 2014, www.sleekez.com, 1 page.\*

*Primary Examiner* — Susan Moon Lee  
(74) *Attorney, Agent, or Firm* — Edwin H. Crabtree;  
Ramon L. Pizarro

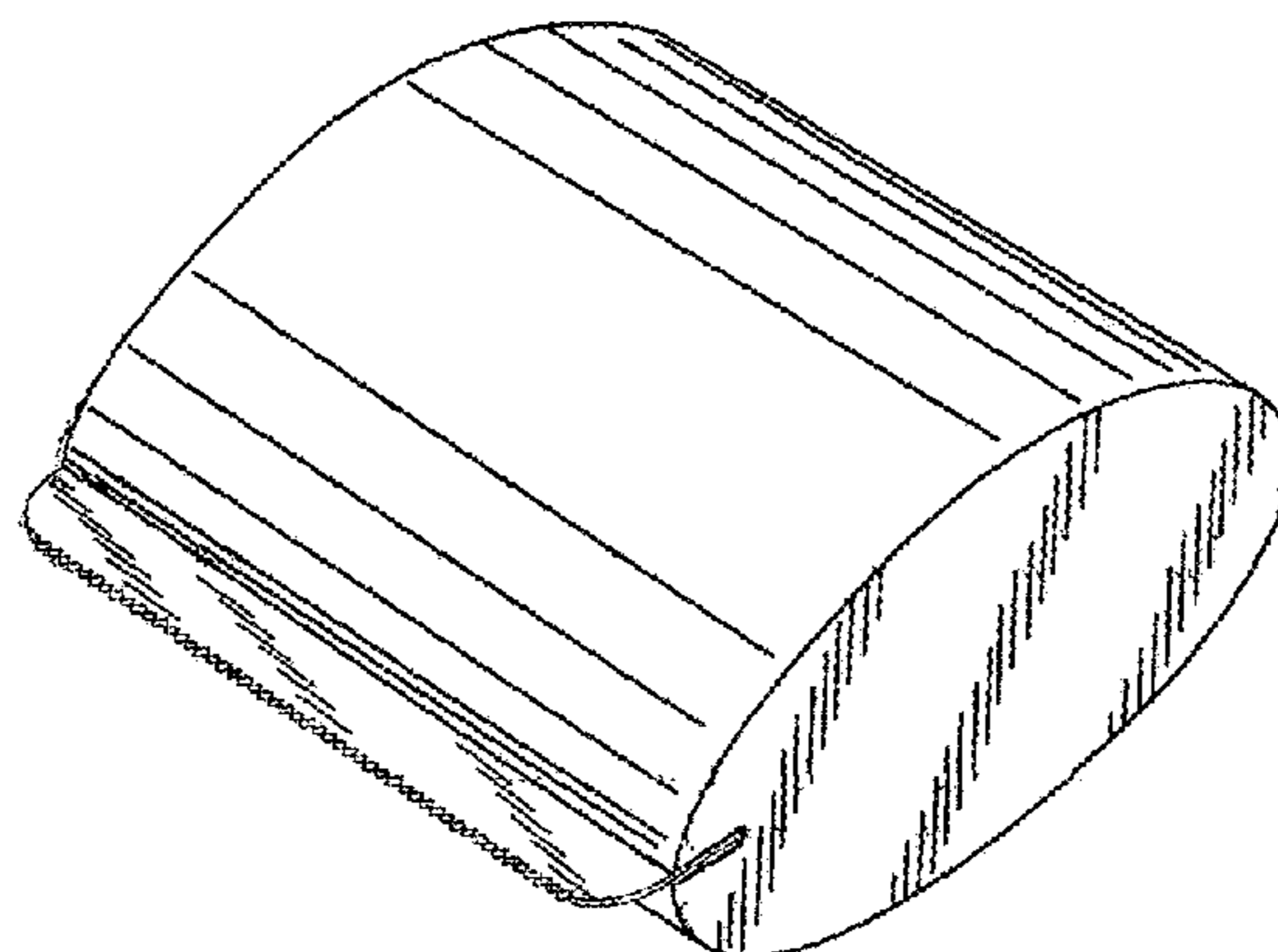
(57) **CLAIM**

The ornamental design for an animal grooming tool with  
wave pattern blade teeth, as shown and described.

**DESCRIPTION**

FIG. 1 is a front perspective view of an animal grooming  
tool with wave pattern blade teeth illustrating my new  
design;  
FIG. 2 is a side view of the animal grooming tool, an  
opposite side view of the tool is a mirror image of FIG. 2;  
FIG. 3 is a top view of the animal grooming tool, a bottom  
view of the tool is a mirror image of FIG. 3;  
FIG. 4 is a front view of the animal grooming tool; and,  
FIG. 5 is a rear view of the animal grooming tool.

**1 Claim, 2 Drawing Sheets**



(56)

References Cited

U.S. PATENT DOCUMENTS

335,894 A \* 2/1886 Clark ..... A01K 13/002  
119/631  
386,573 A \* 7/1888 Blythe ..... B26B 19/24  
119/617  
431,490 A \* 7/1890 Thomas ..... A01K 13/002  
119/631  
433,006 A \* 7/1890 Kline ..... A01K 13/002  
119/631  
603,128 A \* 4/1898 Clemson ..... B23D 61/121  
76/112  
925,637 A \* 6/1909 Hubbard ..... A01K 13/002  
119/631  
1,126,721 A \* 2/1915 Decker ..... A01K 13/002  
119/627  
1,381,478 A \* 6/1921 Lawrence ..... B23D 61/121  
407/117  
3,160,142 A \* 12/1964 Torow ..... A01K 13/002  
119/623  
3,181,540 A \* 5/1965 Abraham ..... A45D 24/02  
132/159  
3,292,674 A \* 12/1966 Turner ..... B23D 61/121  
407/120  
3,633,549 A \* 1/1972 Morgan ..... A01K 13/002  
119/631  
4,040,390 A \* 8/1977 Rosenbaum ..... A01K 13/002  
119/631  
4,198,928 A \* 4/1980 Borba ..... A01K 13/002  
119/631

RE31,433 E \* 11/1983 Clark ..... B23D 61/12  
502/215  
4,727,788 A \* 3/1988 Yoshida ..... B23D 61/121  
83/848  
4,970,990 A \* 11/1990 Wilhelmi ..... A01K 13/002  
119/601  
5,062,338 A \* 11/1991 Baker ..... B23D 61/121  
83/835  
7,806,033 B2 \* 10/2010 Kocher ..... B23D 61/121  
83/835  
8,847,123 B2 \* 9/2014 Shoshan ..... A47J 37/04  
219/520  
8,967,157 B2 \* 3/2015 Steiner ..... A45D 24/10  
132/150  
9,199,321 B2 \* 12/2015 Novak ..... B23D 61/121  
9,248,518 B2 \* 2/2016 Elliston ..... B23D 61/121  
9,474,250 B1 \* 10/2016 Tipton ..... A01K 13/002  
2002/0073930 A1 \* 6/2002 Kan ..... A01K 13/002  
119/631  
2004/0035282 A1 \* 2/2004 Tsujimoto ..... B23D 61/021  
83/849  
2007/0209136 A1 \* 9/2007 Eriksson ..... B44D 3/164  
15/236.01  
2007/0251372 A1 \* 11/2007 Petts ..... B23D 61/021  
83/846  
2013/0180375 A1 \* 7/2013 Rearick ..... B23D 61/121  
83/849  
2015/0047576 A1 \* 2/2015 Dauphin ..... A01K 13/002  
119/633

\* cited by examiner

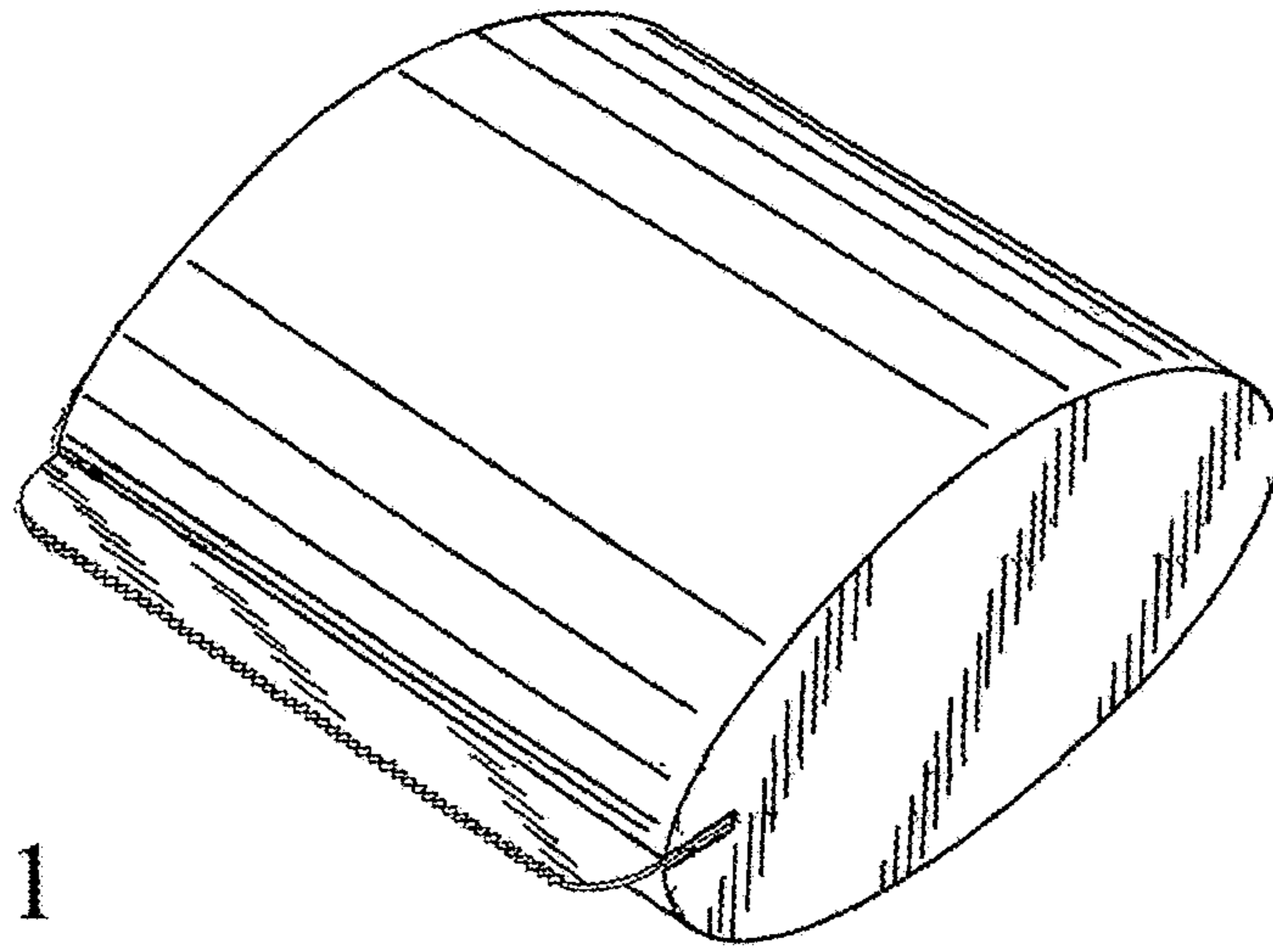


FIG. 1

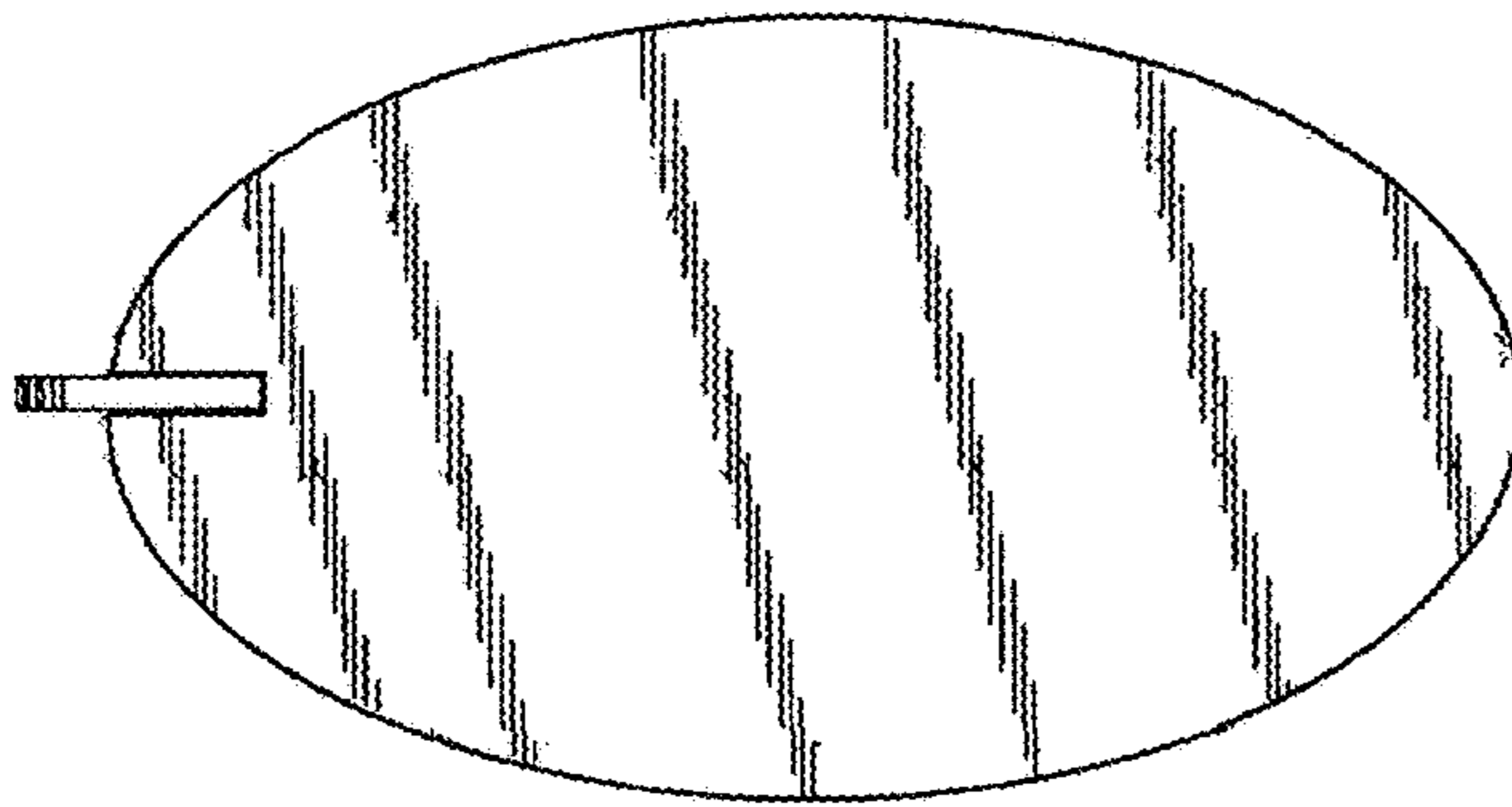


FIG. 2

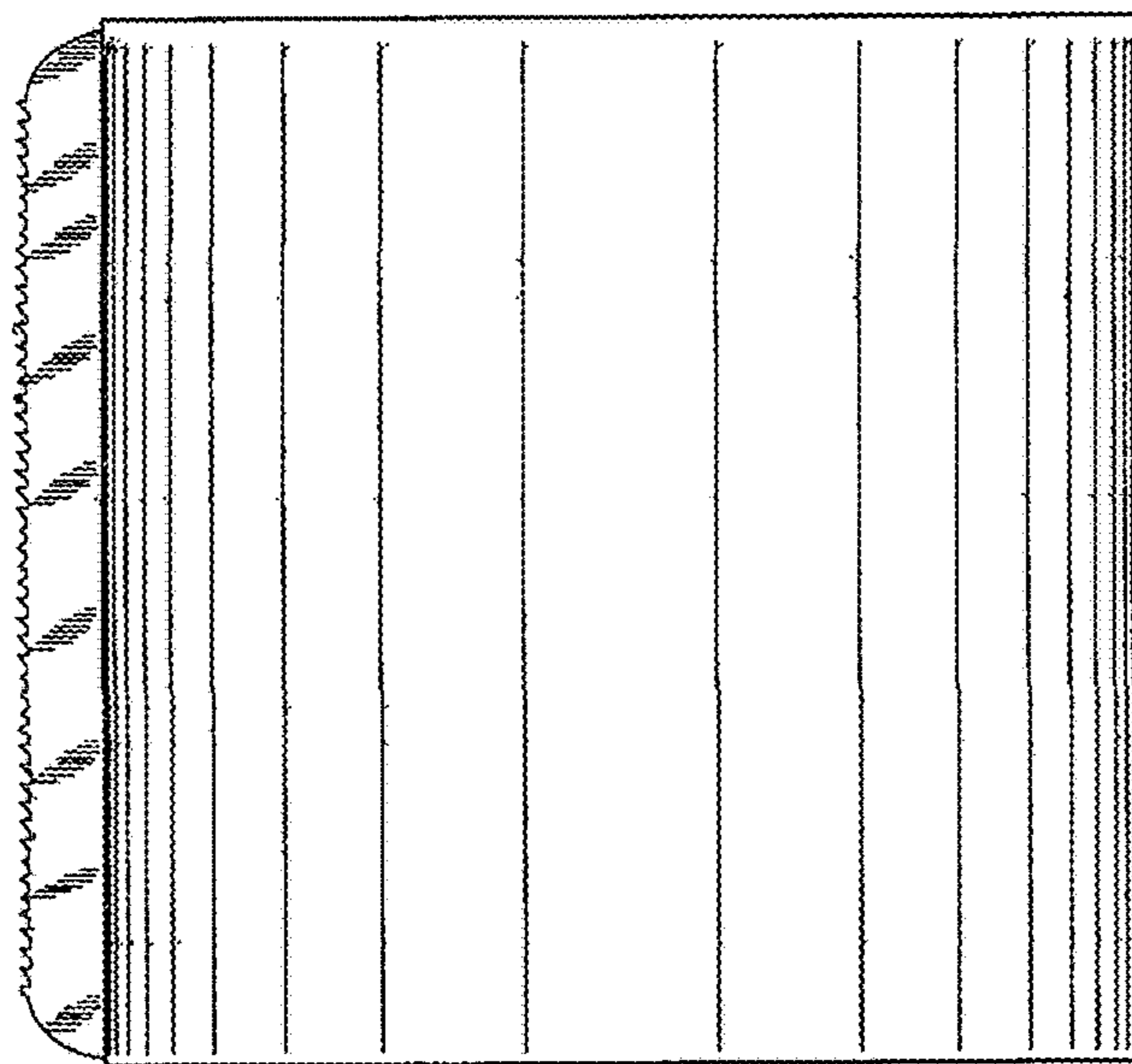


FIG. 3

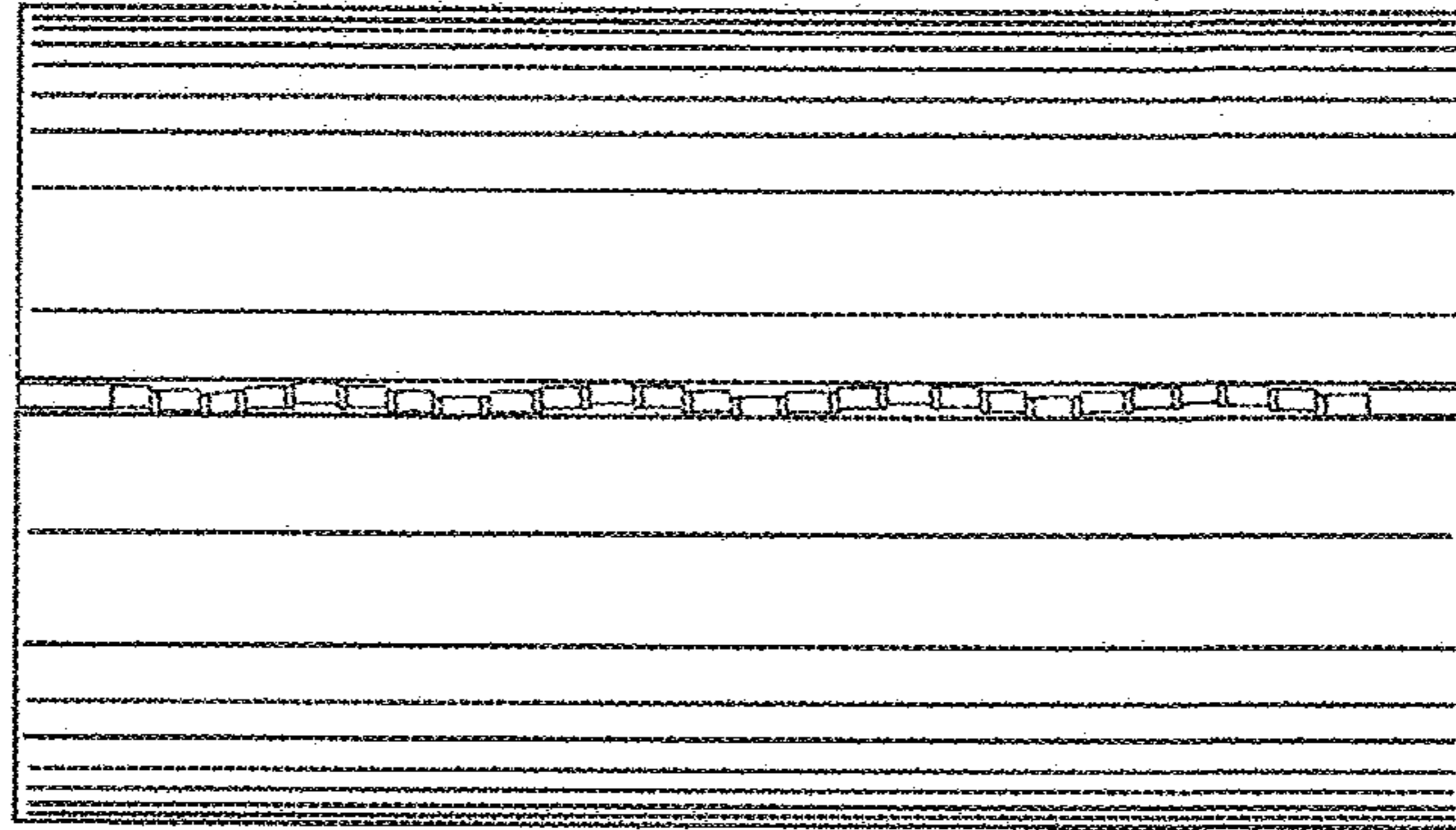


FIG. 4

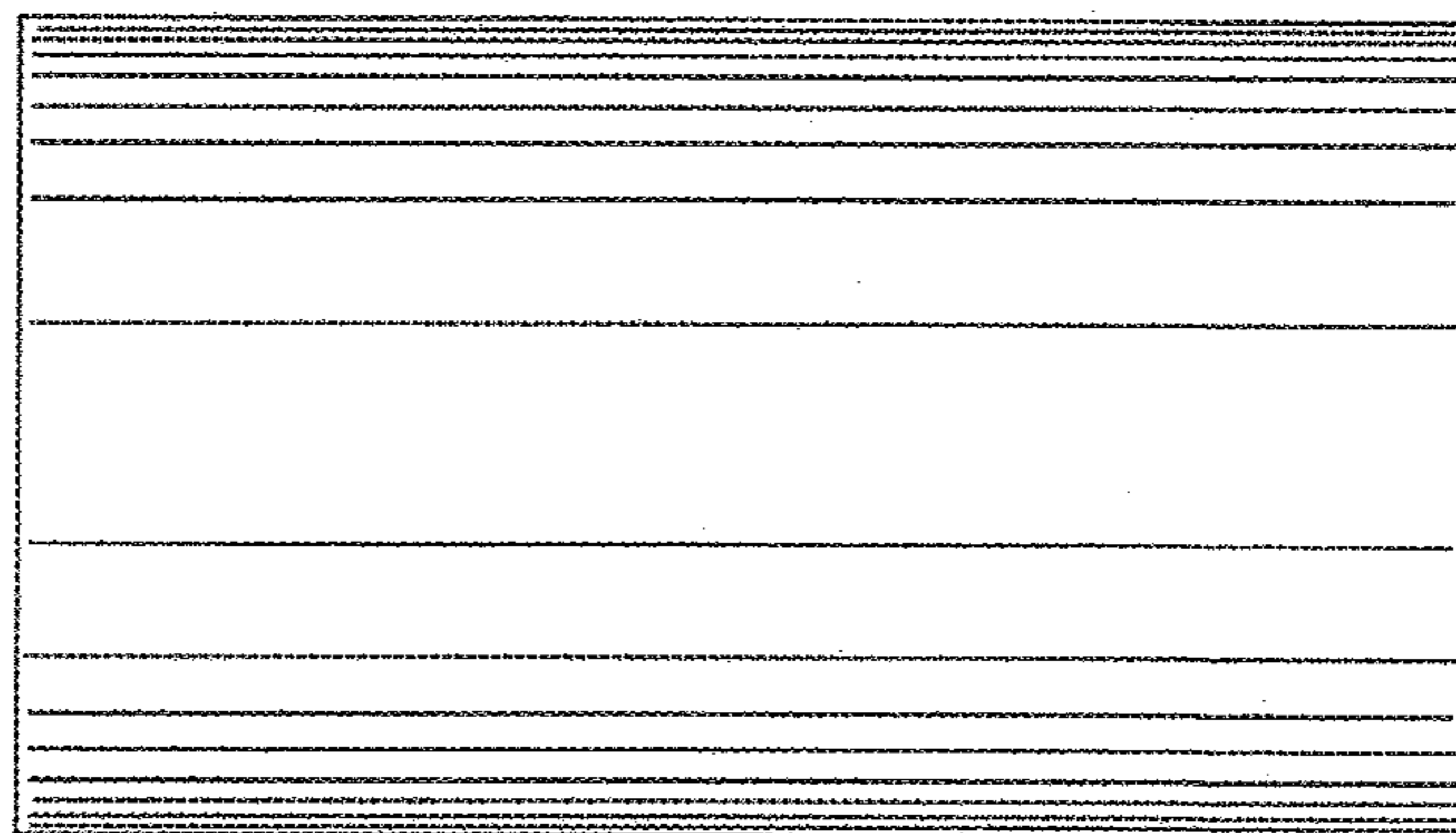


FIG. 5