



US00D817557S

(12) **United States Design Patent**  
**Liu**

(10) **Patent No.:** **US D817,557 S**

(45) **Date of Patent:** **\*\* May 8, 2018**

(54) **PET TRAINING RECEIVER**

(71) Applicant: **SHENZHEN AETERTEK TECHNOLOGY CO., LTD.**,  
Shenzhen, Guangdong (CN)

(72) Inventor: **Yunbing Liu**, Shenzhen (CN)

(73) Assignee: **SHENZHEN AETERTEK TECHNOLOGY CO., LTD.**, Shenzhen (CN)

(\*\*) Term: **15 Years**

(21) Appl. No.: **29/529,132**

(22) Filed: **Jun. 4, 2015**

(51) **LOC (11) Cl.** ..... **30-04**

(52) **U.S. Cl.**  
USPC ..... **D30/152**

(58) **Field of Classification Search**  
USPC ..... D10/104.1, 106.1; D13/103; D24/169,  
D24/186; D14/341; D30/152  
CPC ..... A01K 15/021  
See application file for complete search history.

(56) **References Cited**

**U.S. PATENT DOCUMENTS**

D469,029 S \* 1/2003 So ..... D10/104.1  
D473,481 S \* 4/2003 So ..... D10/104.1

D478,831 S \* 8/2003 So ..... D10/104.1  
D716,169 S \* 10/2014 Sermon ..... D10/106.1  
D742,817 S \* 11/2015 Lammers-Meis ..... D13/103  
D764,957 S \* 8/2016 Bhattacharya ..... D10/104.1  
D768,127 S \* 10/2016 Desch ..... D14/341  
D777,050 S \* 1/2017 Will ..... D10/104.1  
D780,611 S \* 3/2017 Studer ..... D10/104.1  
D794,803 S \* 8/2017 Thom ..... D24/169  
D794,805 S \* 8/2017 Kranz ..... D24/186  
9,756,833 B2 \* 9/2017 So ..... A01K 15/021

\* cited by examiner

*Primary Examiner* — George D. Kirschbaum

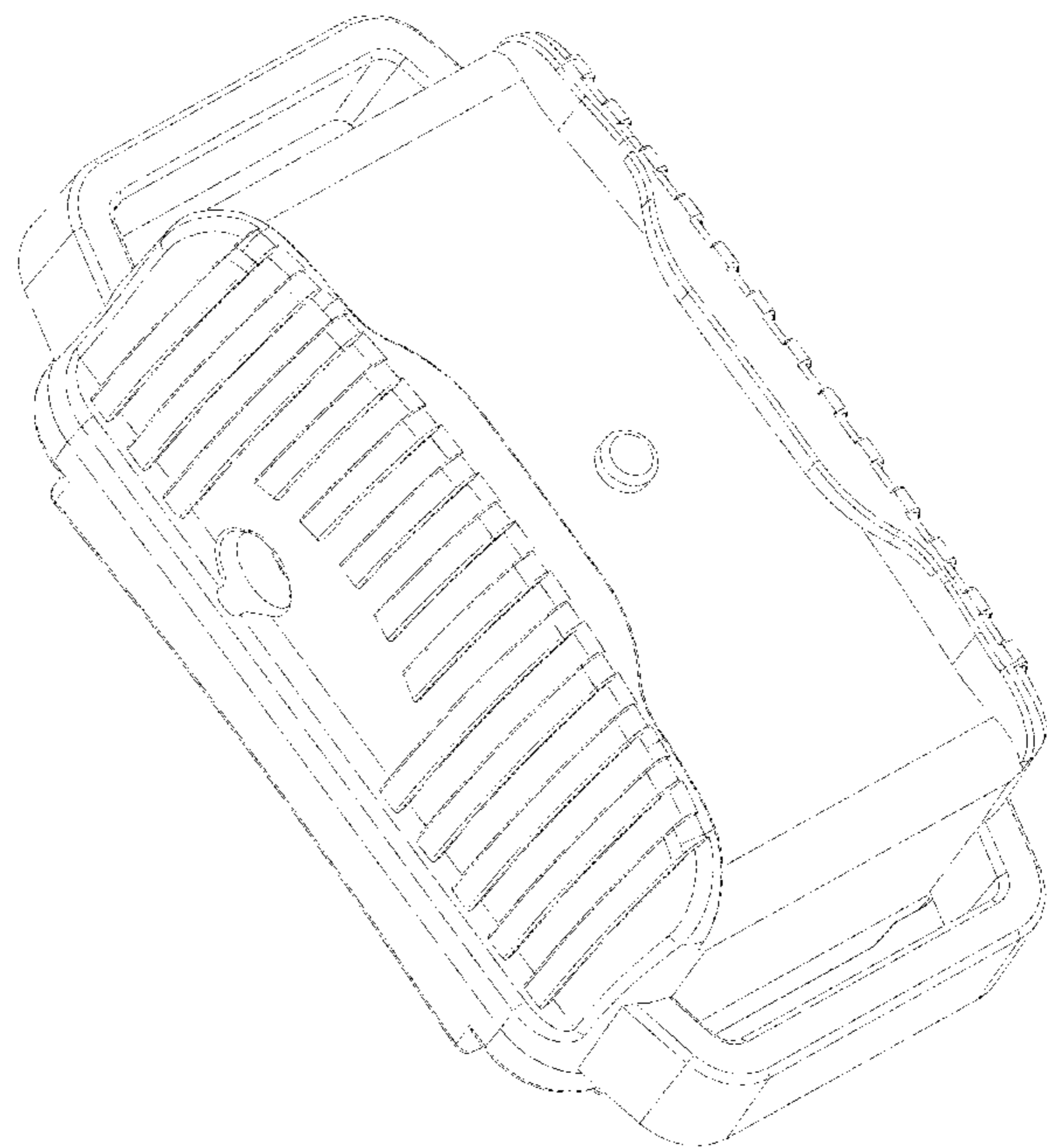
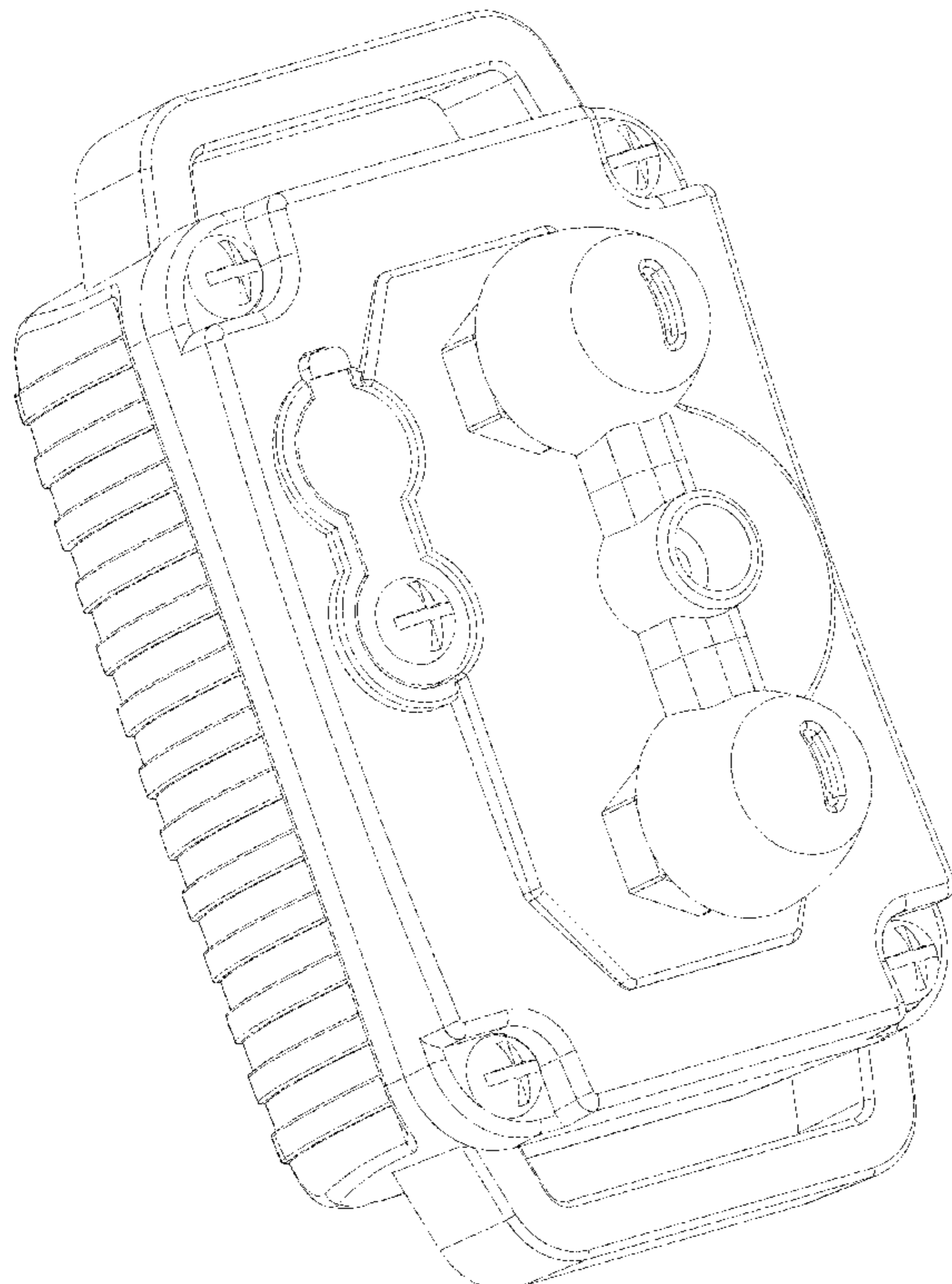
(57) **CLAIM**

The ornamental design for a pet training receiver, as shown and described.

**DESCRIPTION**

FIG. 1 is a front elevational view of a pet training receiver showing my new design;  
FIG. 2 is a rear elevational view thereof;  
FIG. 3 is a left side view thereof;  
FIG. 4 is a right side view thereof;  
FIG. 5 is a top plan view thereof;  
FIG. 6 is a bottom plan view thereof;  
FIG. 7 is a first perspective view thereof;  
FIG. 8 is a second perspective view thereof;  
FIG. 9 is a third perspective view thereof; and,  
FIG. 10 is a fourth perspective view thereof.

**1 Claim, 10 Drawing Sheets**



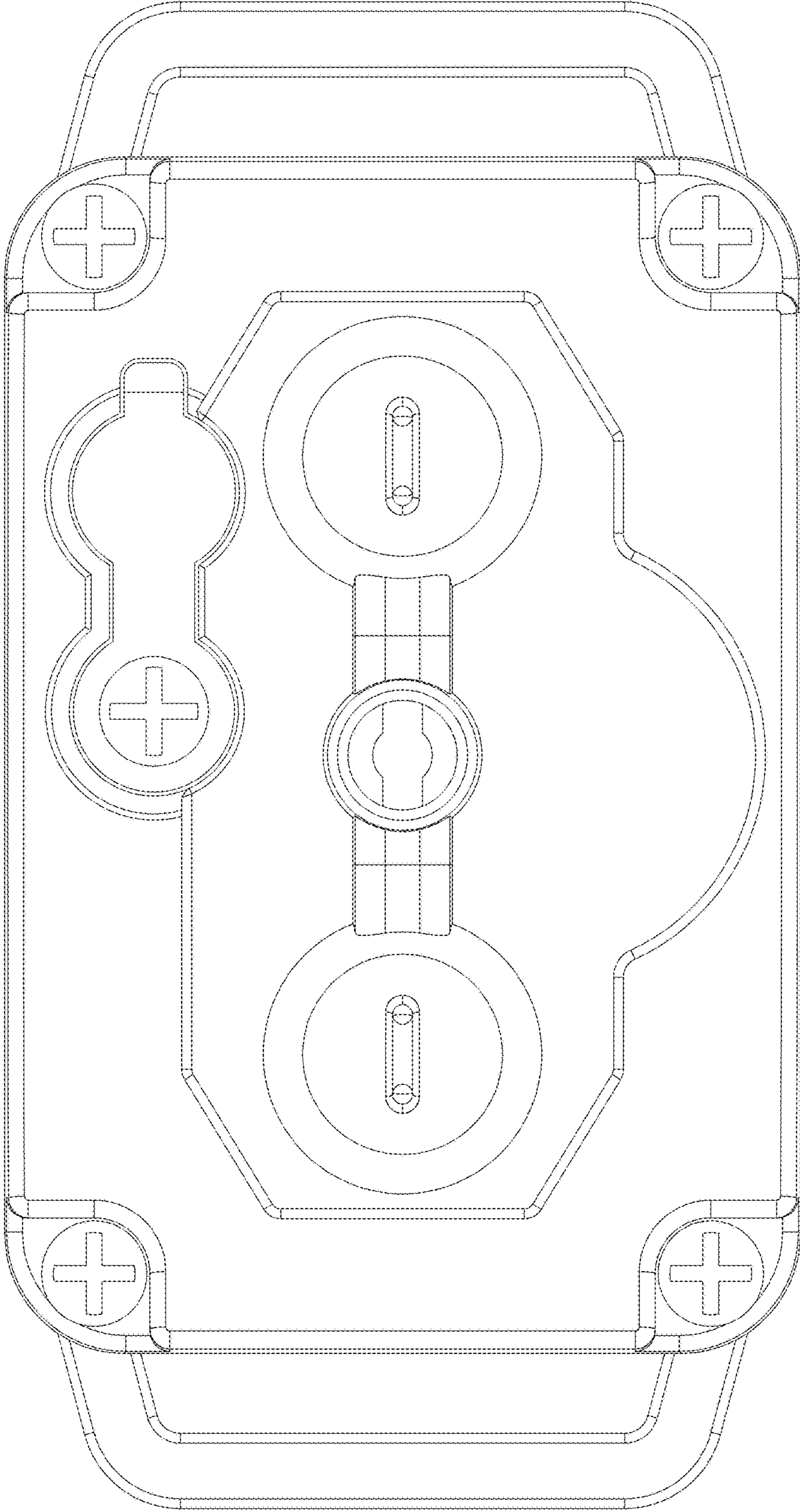


Fig. 1

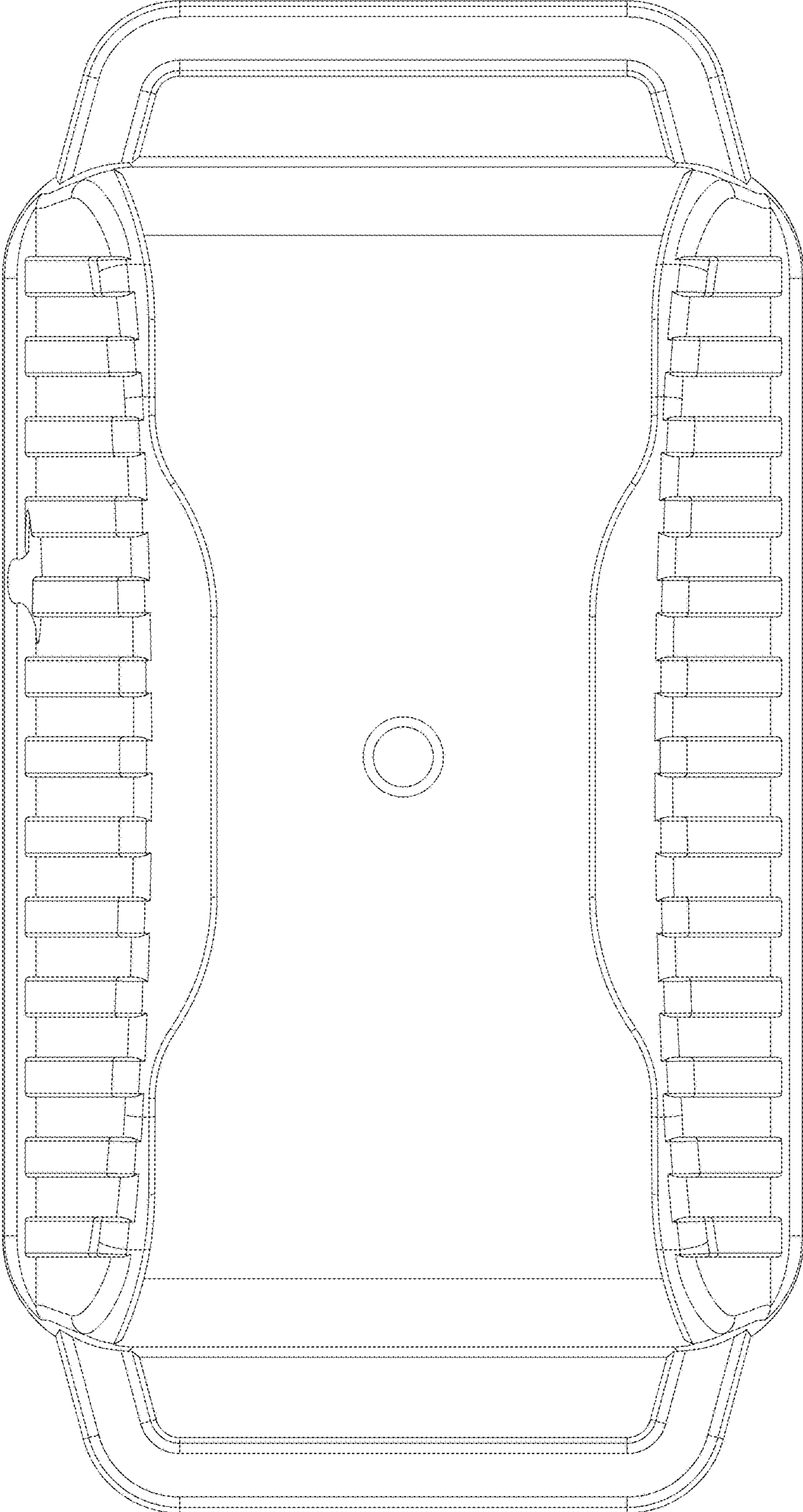


Fig. 2

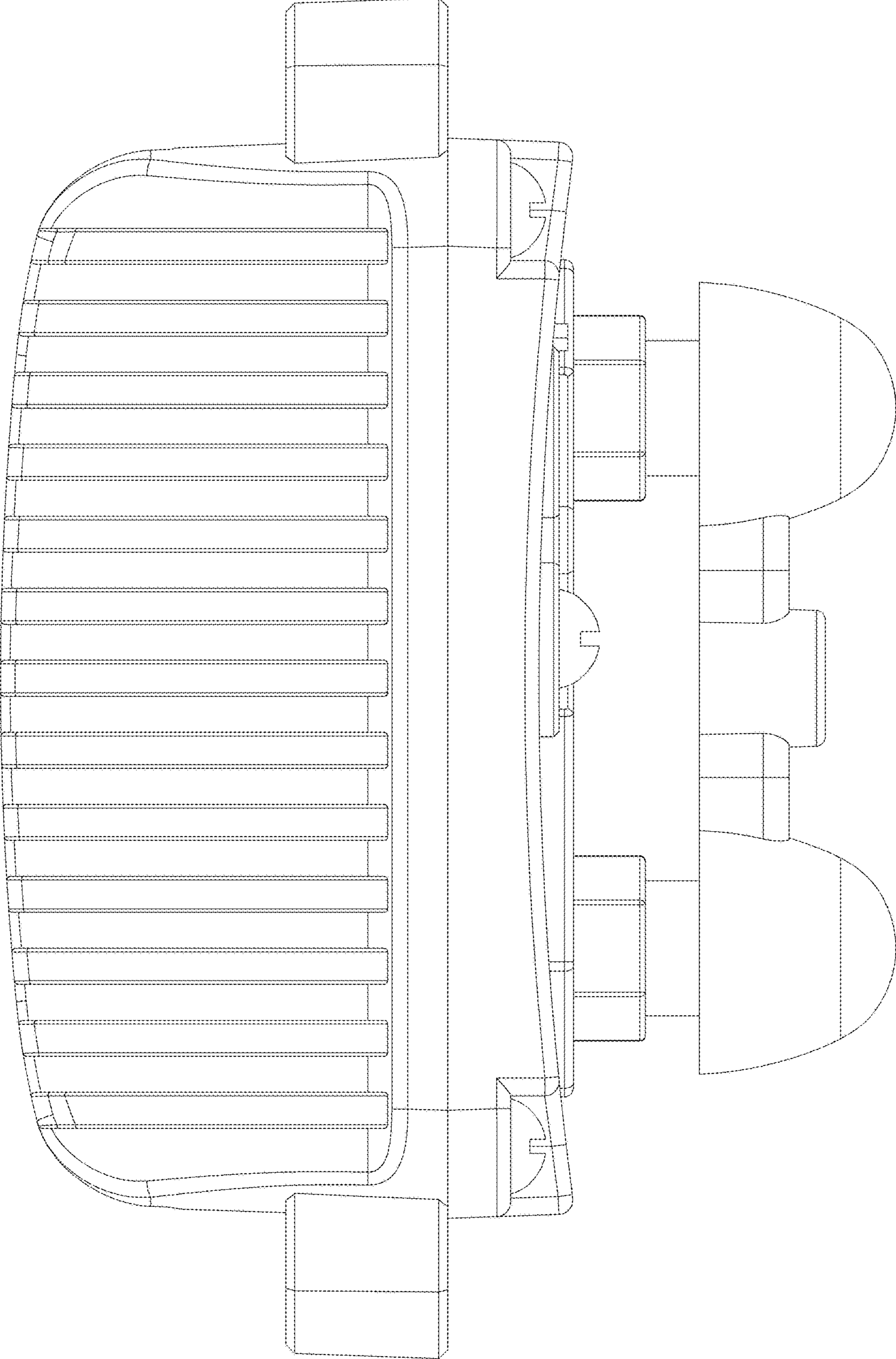


Fig. 3

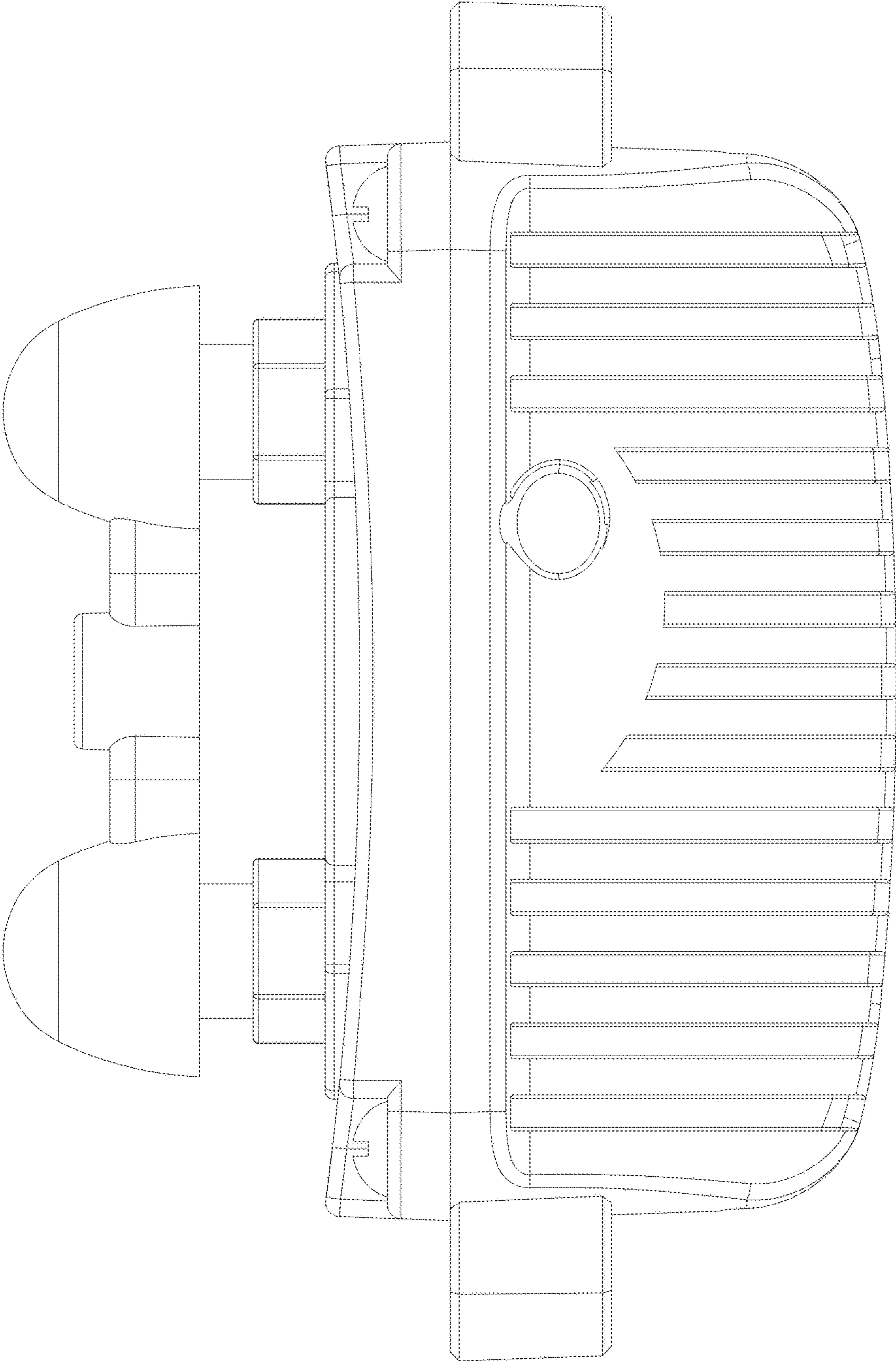


Fig. 4

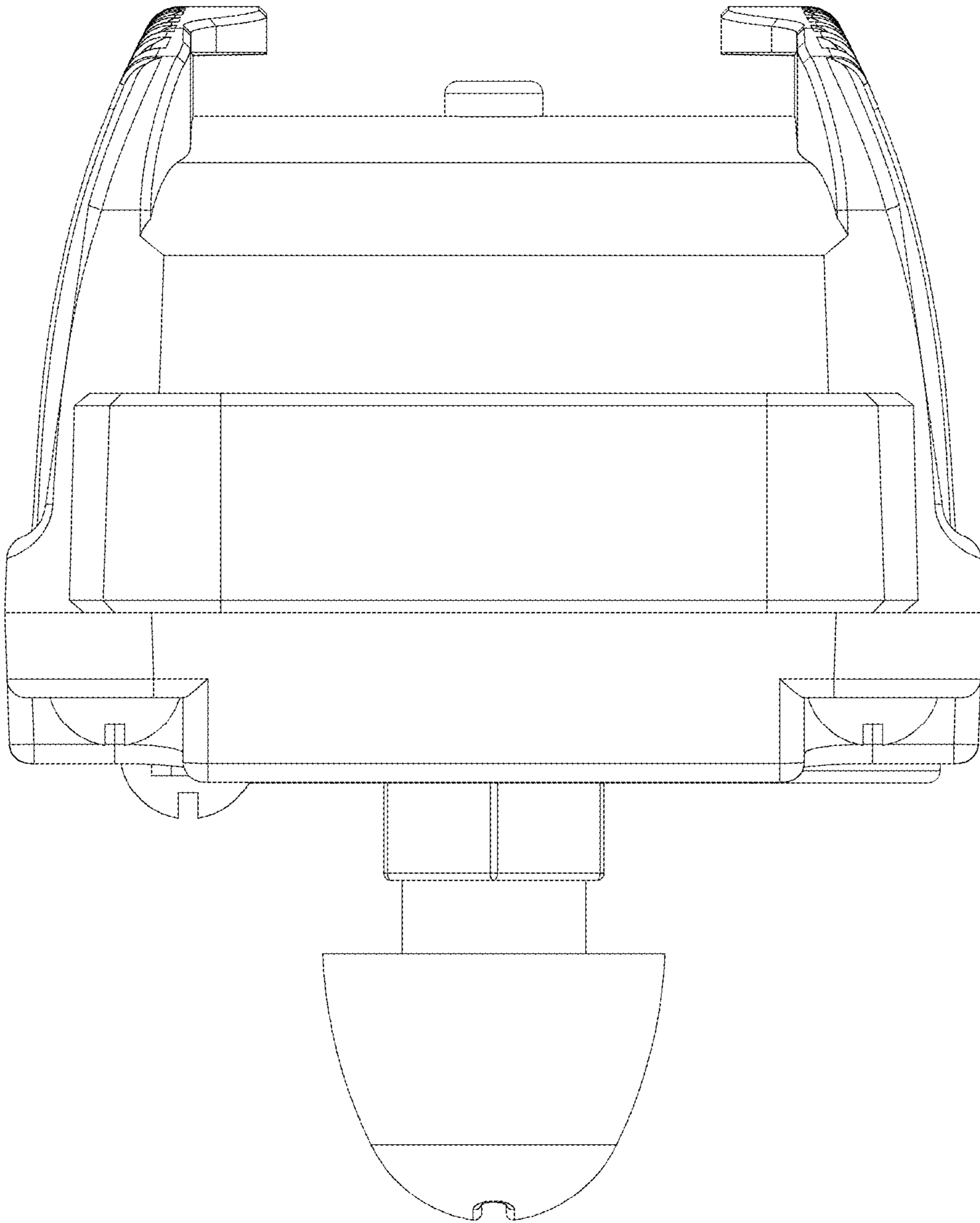


Fig. 5

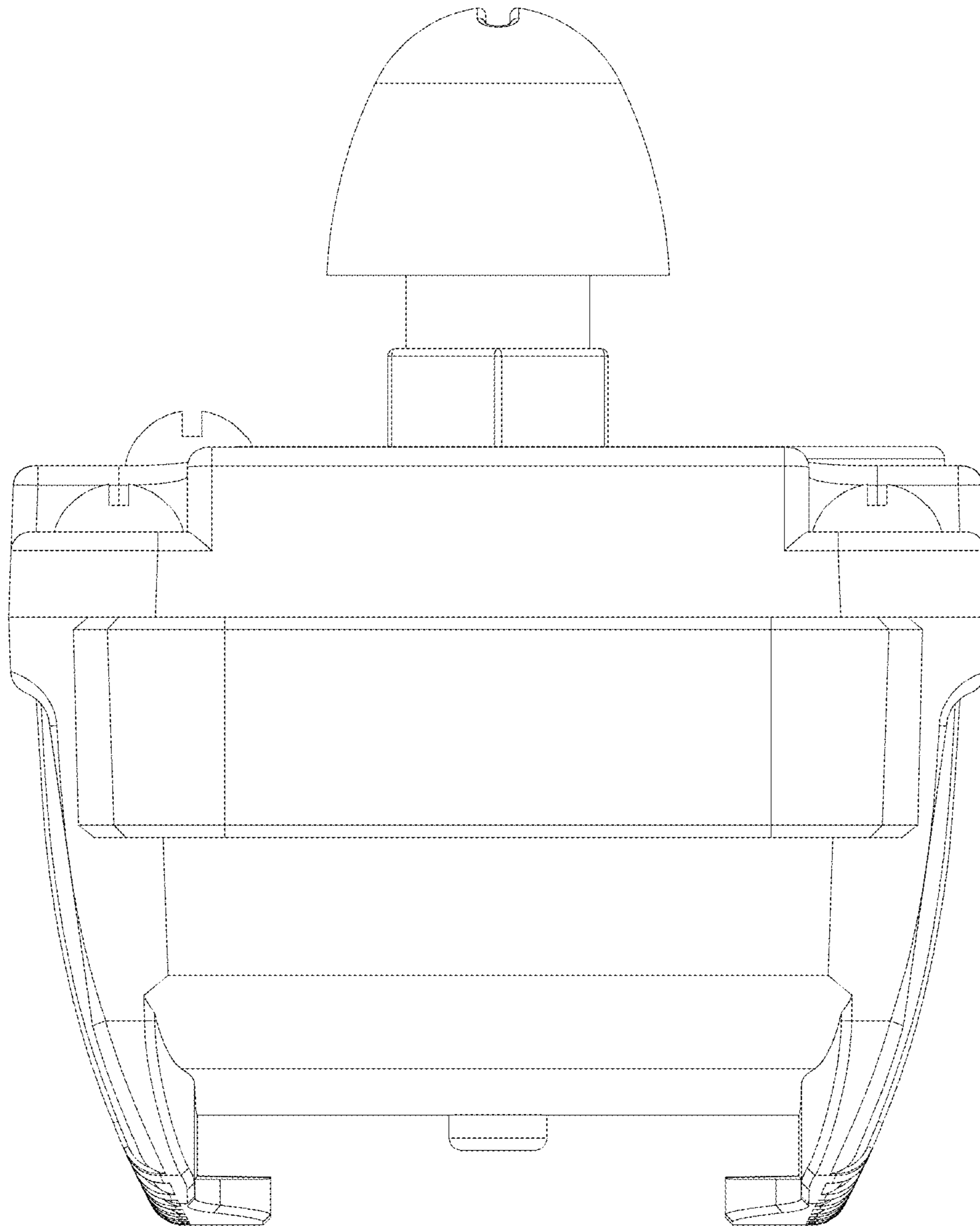


Fig. 6

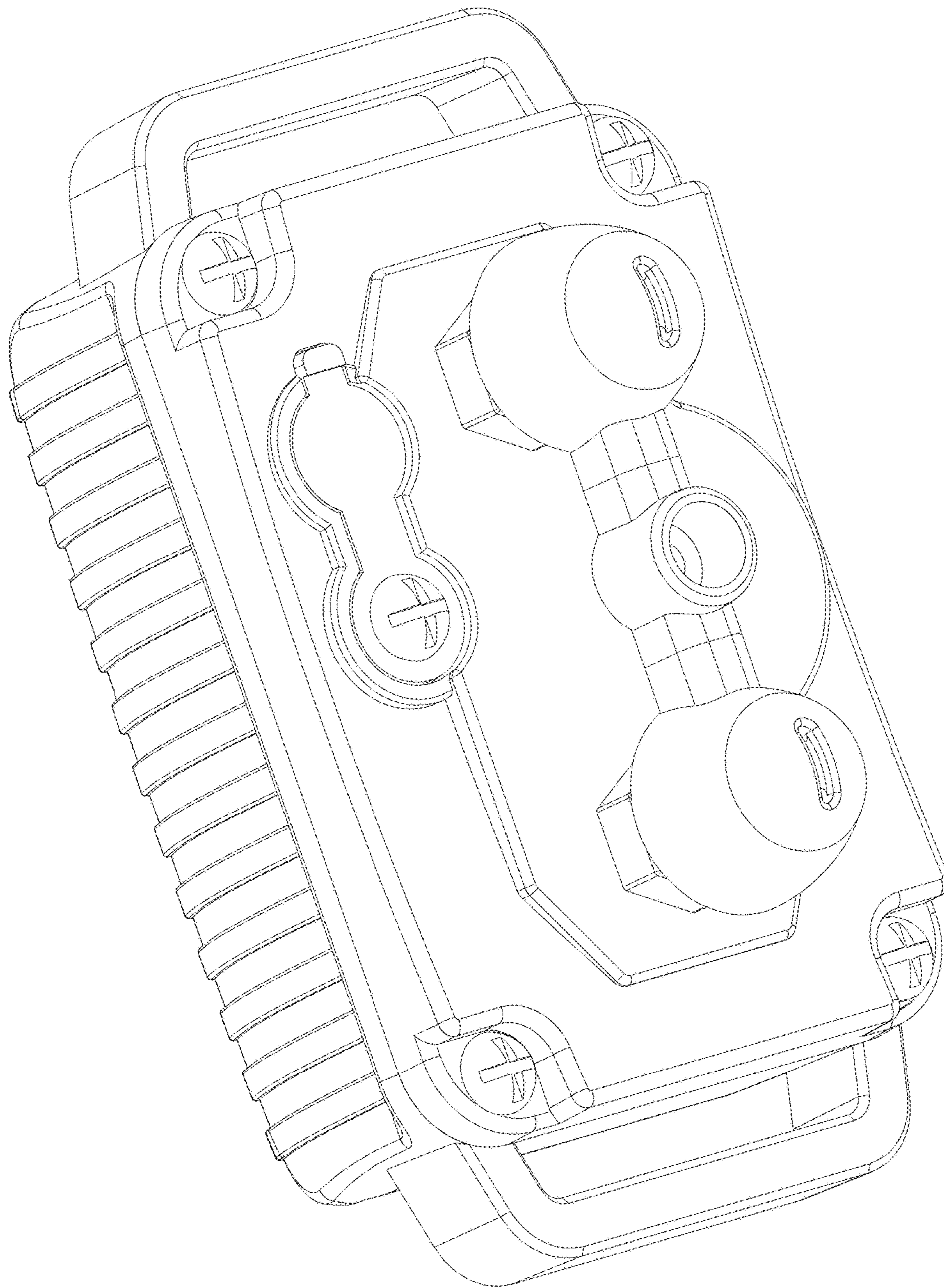


Fig. 7



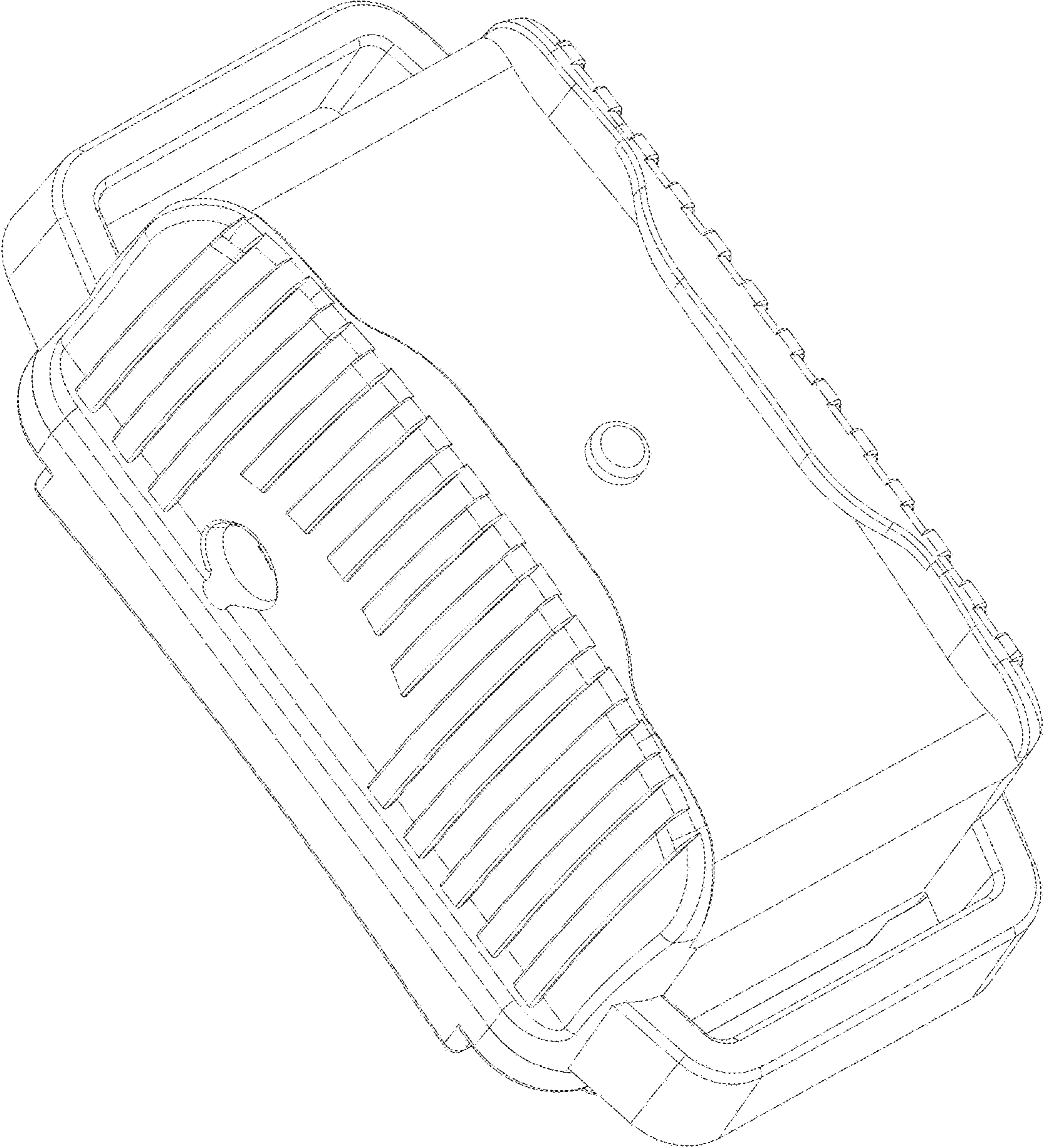


Fig. 8

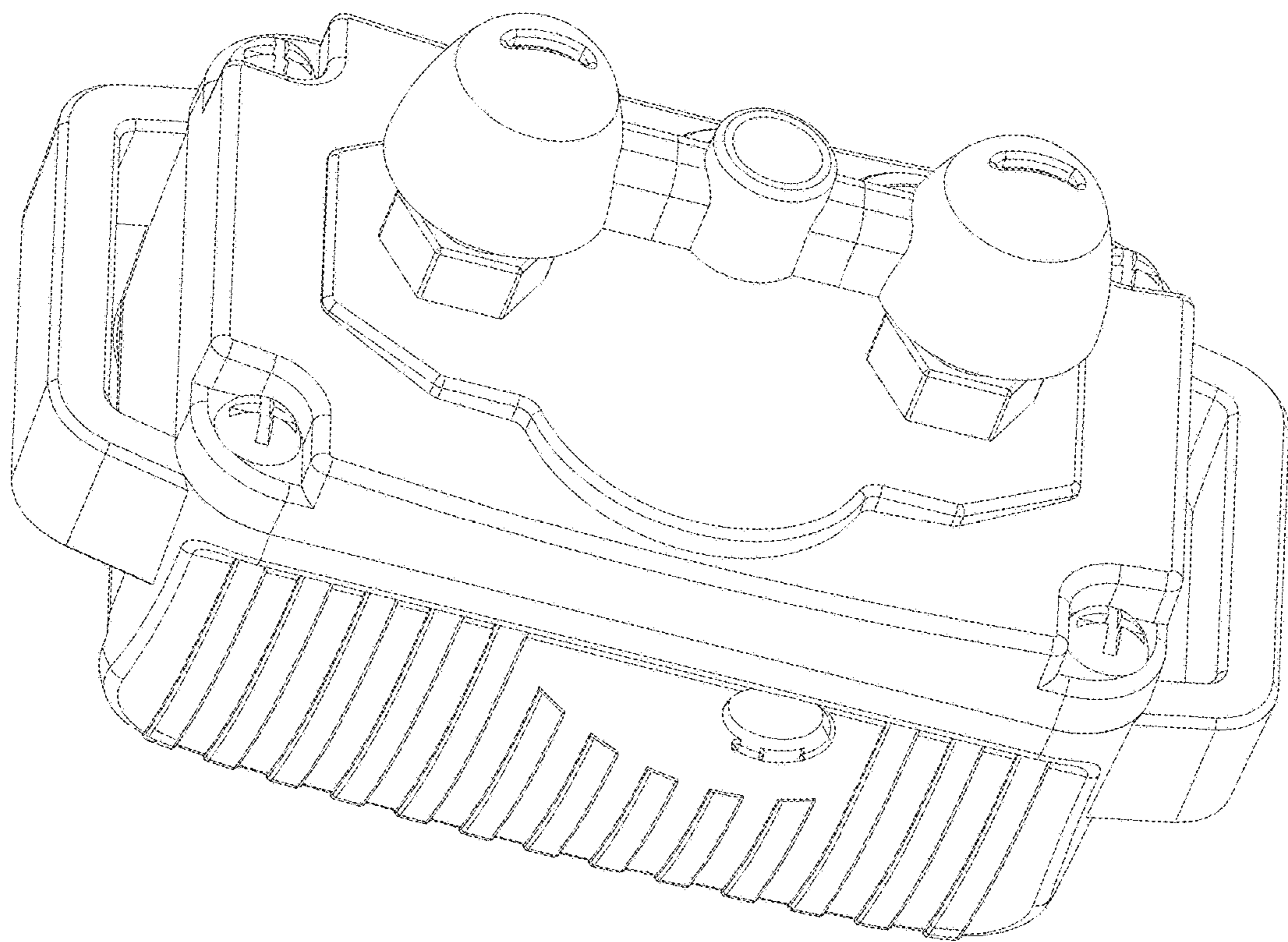


Fig. 9

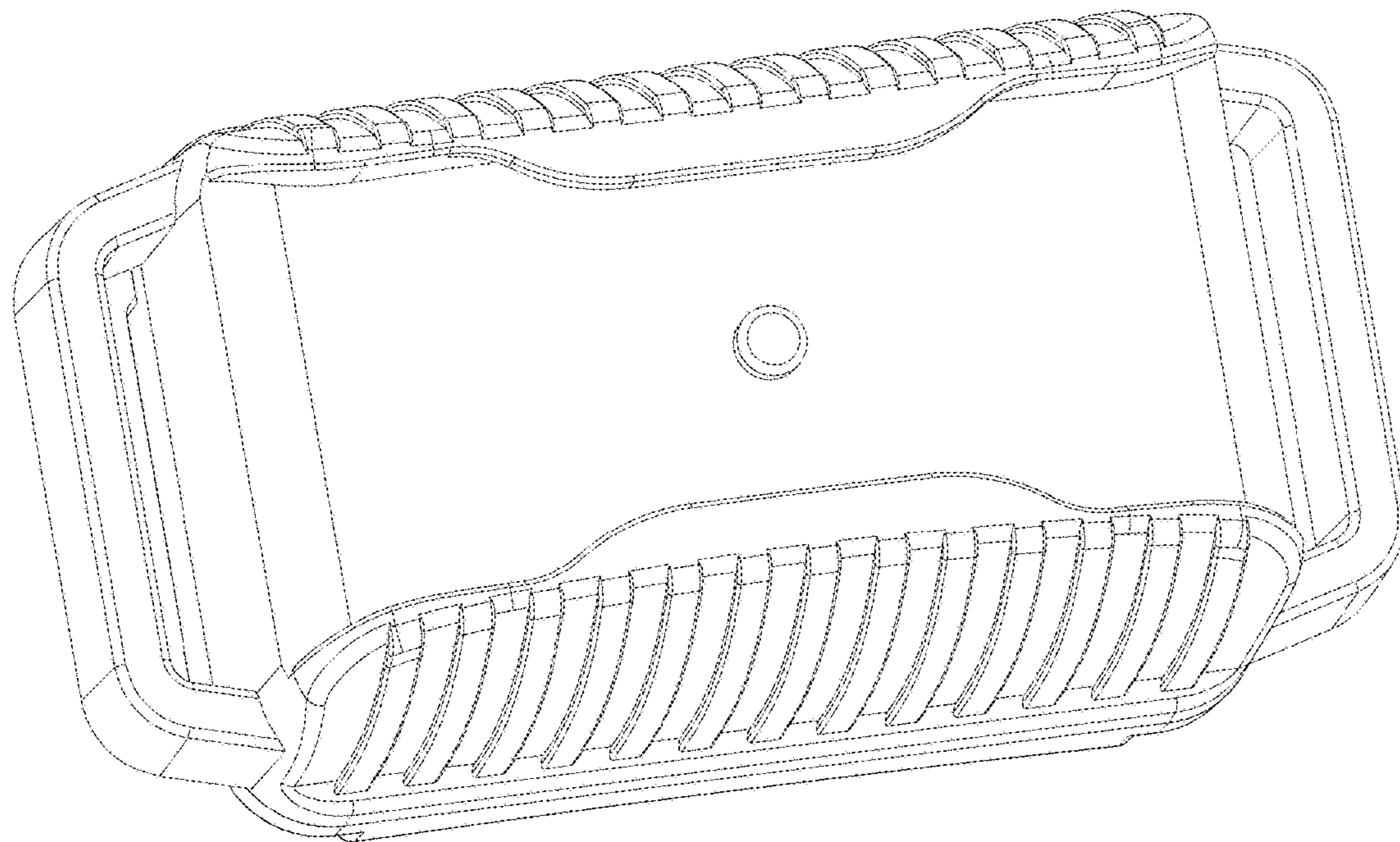


Fig. 10