



US00D817556S

(12) **United States Design Patent**  
**Thorn**

(10) **Patent No.:** **US D817,556 S**

(45) **Date of Patent:** **\*\* May 8, 2018**

(54) **BIRDFEEDER**

(71) Applicants: **OAKTHRIFT CORPORATION LTD,**  
Hertfordshire (GB); **James John**  
**Thorn, Rochford (GB)**

(72) Inventor: **James John Thorn, Rochford (GB)**

(73) Assignee: **OAKTHRIFT CORPORATION**  
**LTD., Borehamwood (GB)**

(\*\*) Term: **15 Years**

(21) Appl. No.: **29/606,491**

(22) Filed: **Jun. 5, 2017**

(51) **LOC (11) Cl.** ..... **30-03**

(52) **U.S. Cl.**  
USPC ..... **D30/127**

(58) **Field of Classification Search**  
USPC ..... D30/121, 124, 126–129, 133, 199,  
D30/110–112, 123, 125; 119/52.2, 51.5,  
119/61.5, 57.8, 57.9, 52.3, 61.1, 531, 63,  
119/428–435, 52.4, 55, 61.3, 69.5, 75, 76;  
47/67, 83; 248/318; D11/164, 152;  
211/128.1; D27/123; D6/495, 460, 461,  
D6/476, 405

CPC .... A01K 39/00; A01K 39/01; A01K 39/0113;  
A01K 39/012; A01K 39/06; A01K  
5/0225; A01K 5/00

See application file for complete search history.

(56) **References Cited**

**U.S. PATENT DOCUMENTS**

D193,558 S \* 9/1962 Parry ..... D11/148  
3,590,780 A \* 7/1971 Dunbar ..... A01K 39/0113  
119/57.9  
4,144,842 A \* 3/1979 Schlising ..... A01K 39/0113  
119/52.3  
4,188,913 A \* 2/1980 Earl ..... A01K 39/0113  
119/57.9

5,044,319 A \* 9/1991 Blasbalg ..... A01K 39/012  
119/57.9  
D335,006 S \* 4/1993 Blasbalg ..... D30/127  
5,205,065 A \* 4/1993 Wilson ..... A01M 1/08  
43/107  
5,285,748 A \* 2/1994 Weldin ..... A01K 39/0113  
119/57.9  
6,158,385 A \* 12/2000 Boyd ..... A01K 39/0113  
119/52.3  
6,543,384 B2 \* 4/2003 Cote ..... A01K 39/0113  
119/57.9  
D490,576 S \* 5/2004 Rich ..... D30/128  
6,863,024 B1 \* 3/2005 Obenshain ..... A01K 39/012  
119/51.01  
D675,282 S \* 1/2013 Frisch ..... D22/122  
D689,639 S \* 9/2013 Chung ..... D26/40  
D745,227 S \* 12/2015 Thorn ..... D30/127

(Continued)

*Primary Examiner* — Susan Moon Lee

(74) *Attorney, Agent, or Firm* — Weiss & Moy, P.C.;  
Jeffrey D. Moy

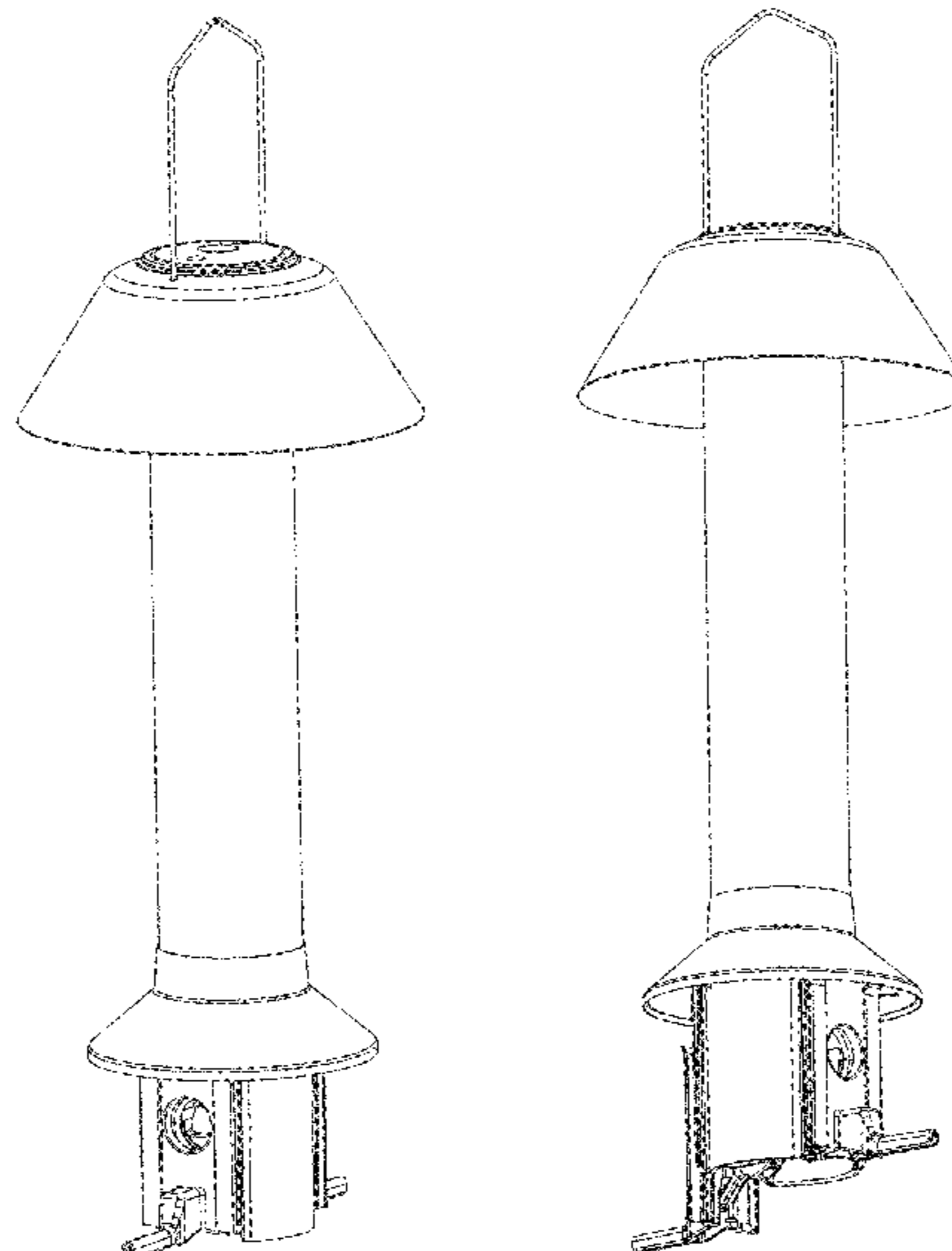
(57) **CLAIM**

The ornamental design for a birdfeeder, as shown and described.

**DESCRIPTION**

FIG. 1 is a perspective view of the birdfeeder;  
FIG. 2 is a bottom perspective view of the birdfeeder;  
FIG. 3 is a front perspective view of the birdfeeder, a rear view being a mirror image thereof;  
FIG. 4 is a side view of the birdfeeder, the opposing side being a mirror image thereof;  
FIG. 5 is a top view of the birdfeeder;  
FIG. 6 is a bottom view of the birdfeeder;  
FIG. 7 is another perspective view of the birdfeeder with a feeding ledge lowered; and,  
FIG. 8 is another bottom perspective view of the birdfeeder with a pair of feeding ledges lowered.

**1 Claim, 8 Drawing Sheets**



(56)

**References Cited**

U.S. PATENT DOCUMENTS

2003/0033985 A1\* 2/2003 Hardison ..... A01K 39/00  
119/57.9  
2003/0226514 A1\* 12/2003 Cote ..... A01K 39/0113  
119/57.9  
2005/0005865 A1\* 1/2005 Rich ..... A01K 39/012  
119/52.2  
2006/0288944 A1\* 12/2006 Hoff ..... A01K 39/0113  
119/57.9  
2012/0234249 A1\* 9/2012 Gaze ..... A01K 39/012  
119/57.8  
2015/0136032 A1\* 5/2015 Cote ..... A01K 39/012  
119/57.8  
2017/0172112 A1\* 6/2017 Thorn ..... A01K 39/0113

\* cited by examiner

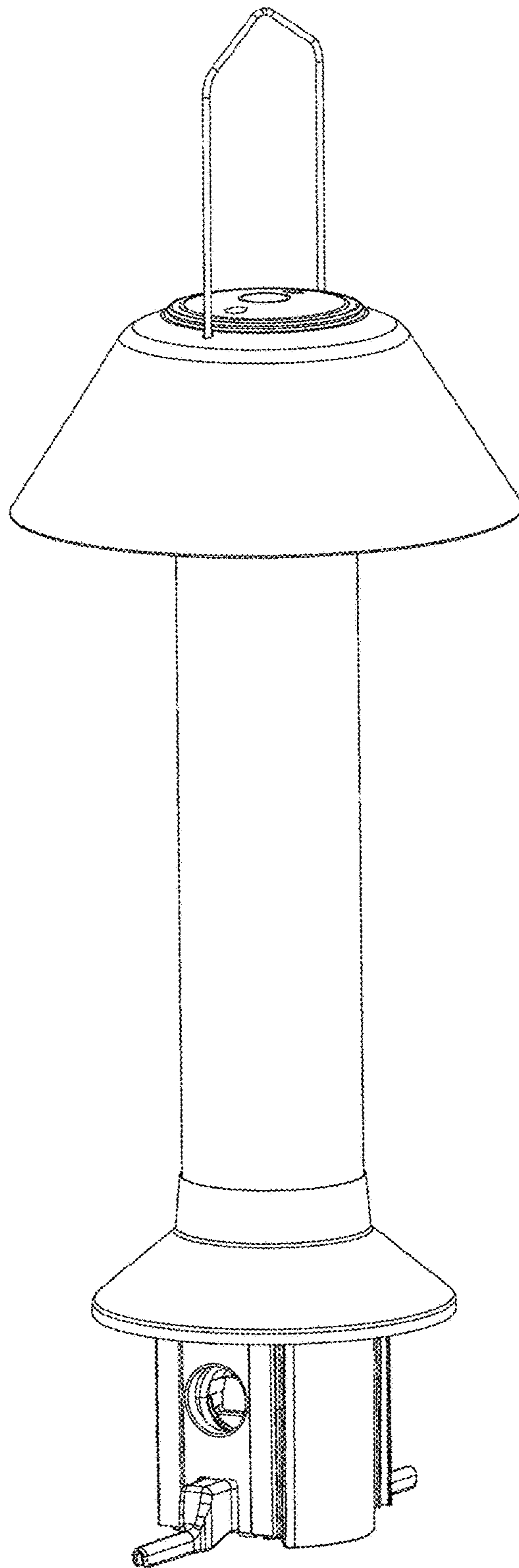


FIG. 1

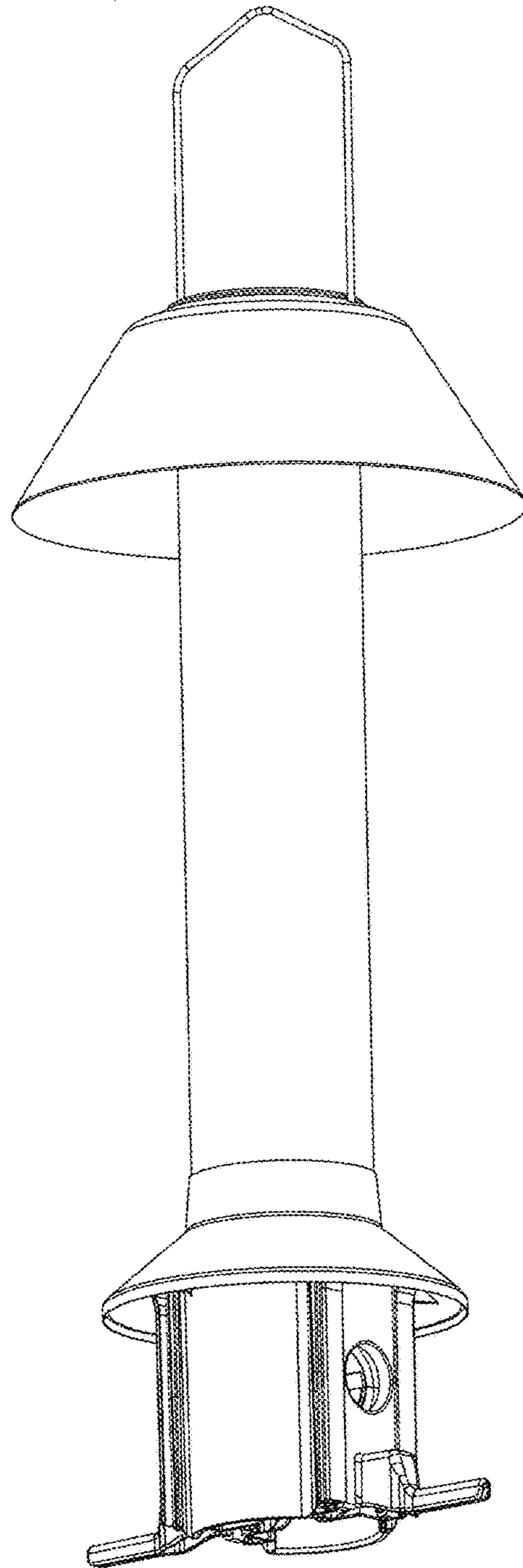


FIG. 2

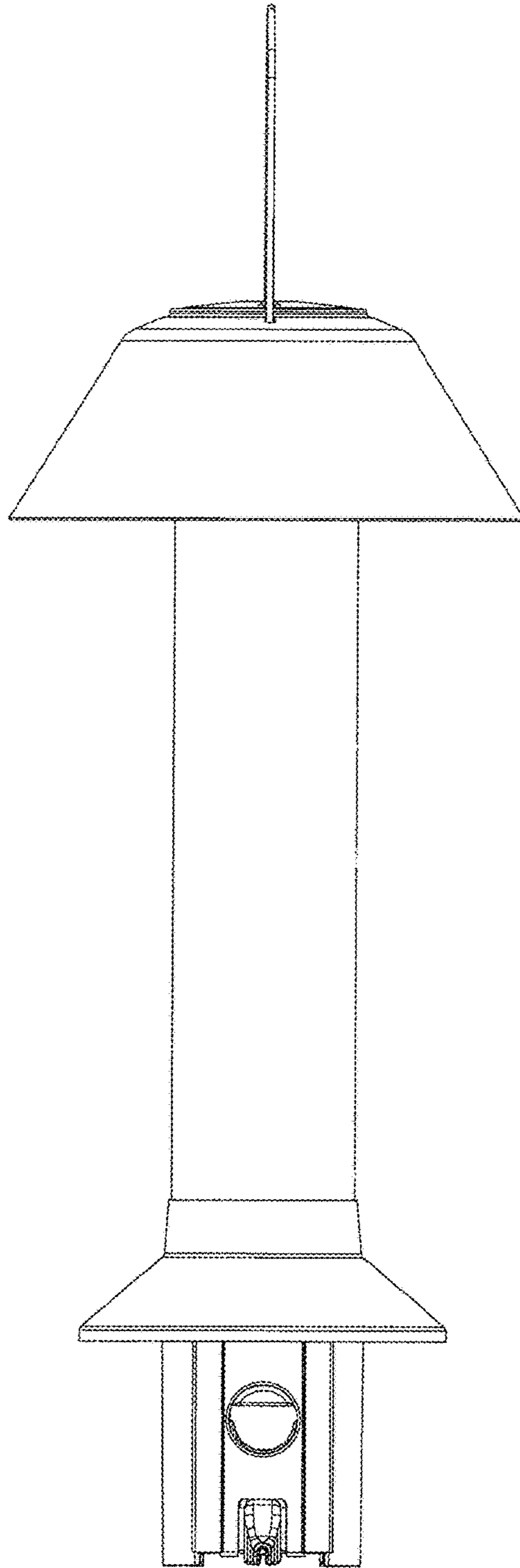


FIG. 3

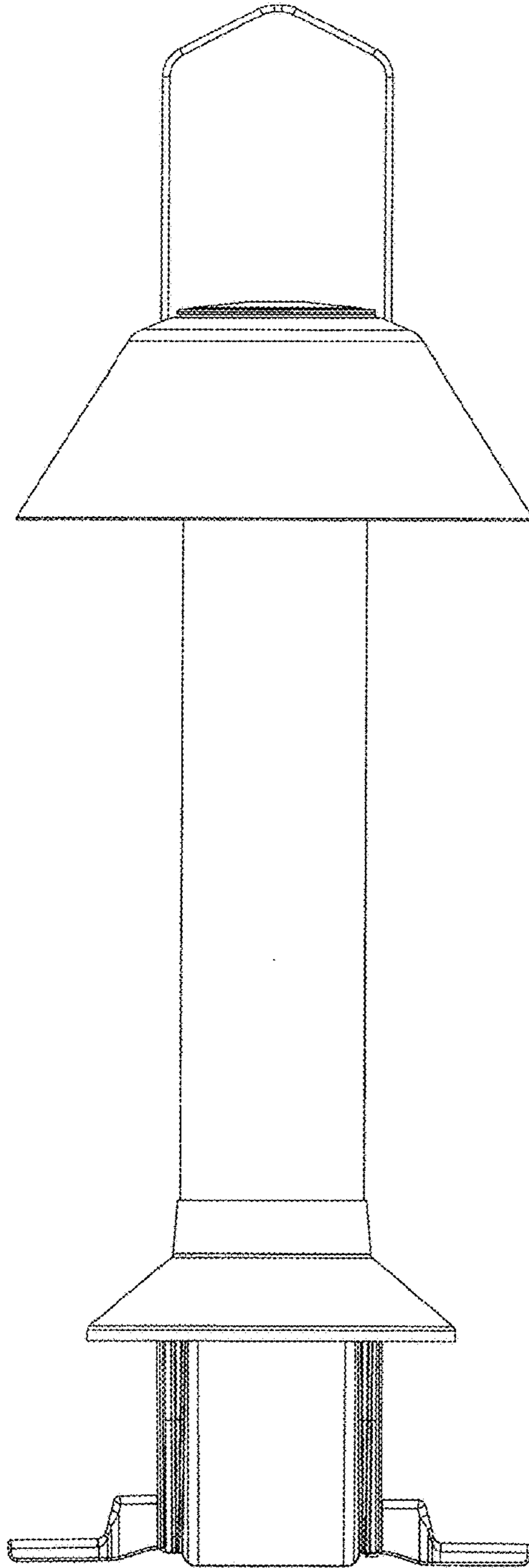


FIG. 4



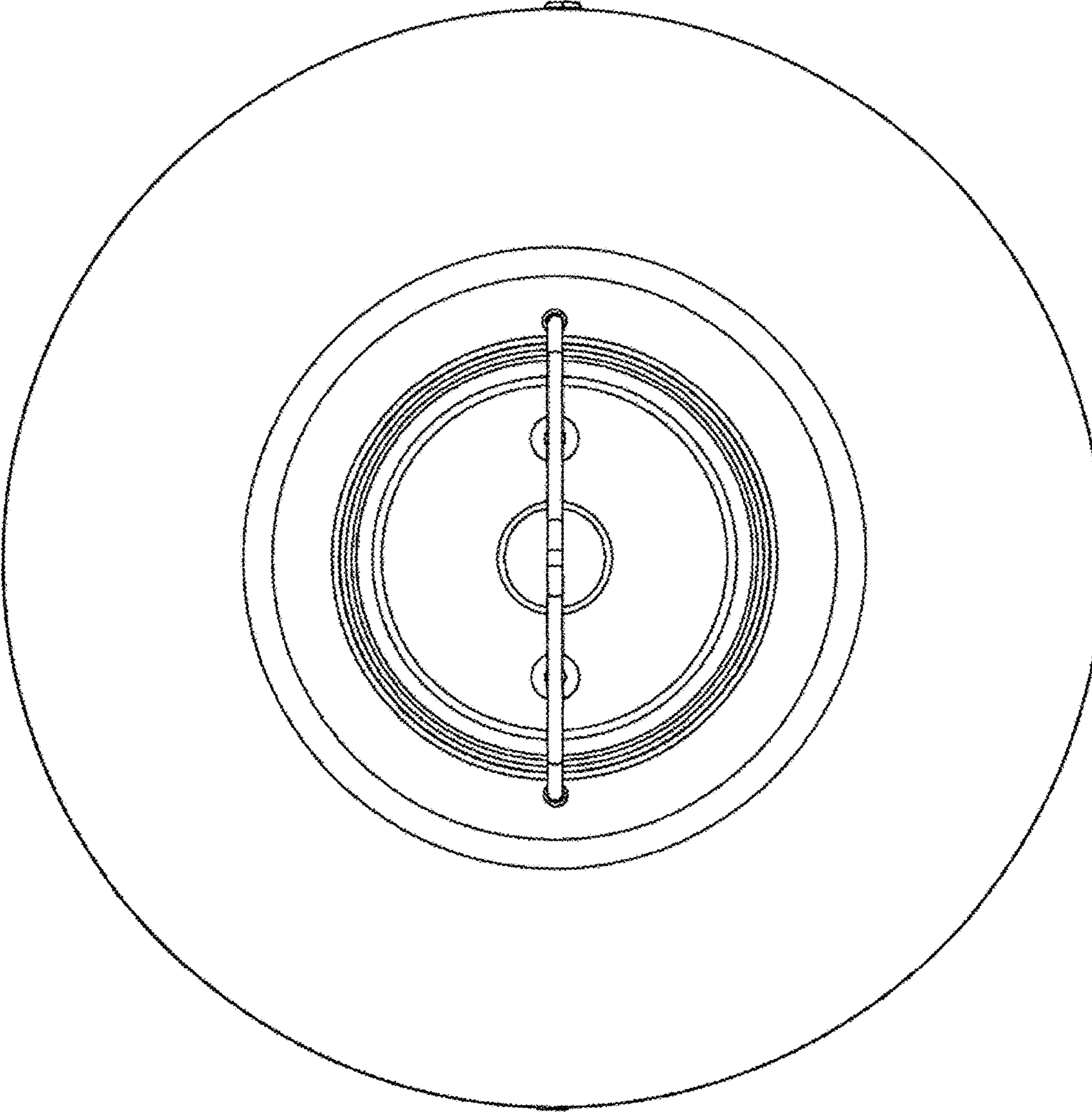


FIG. 5

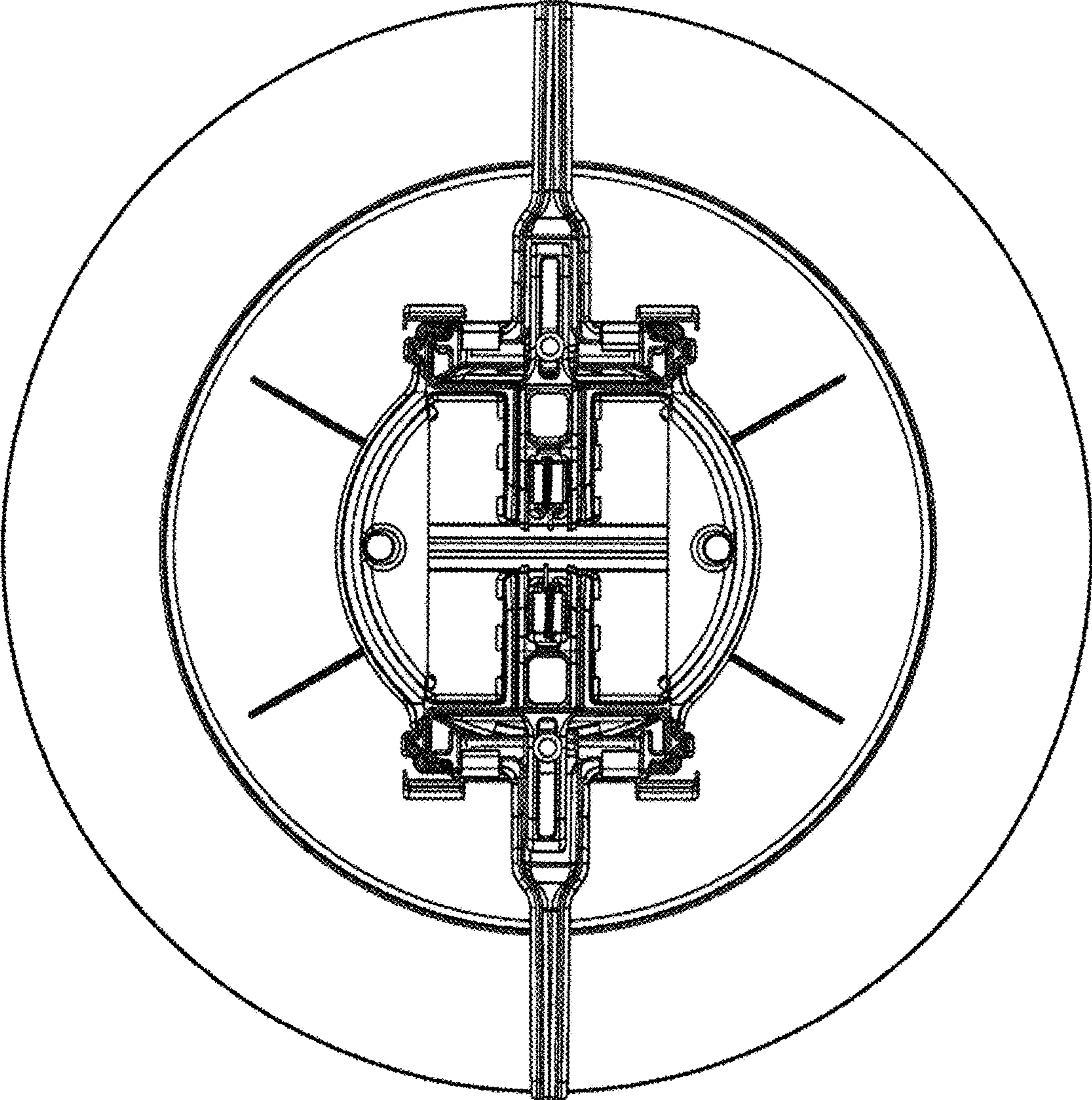


FIG. 6



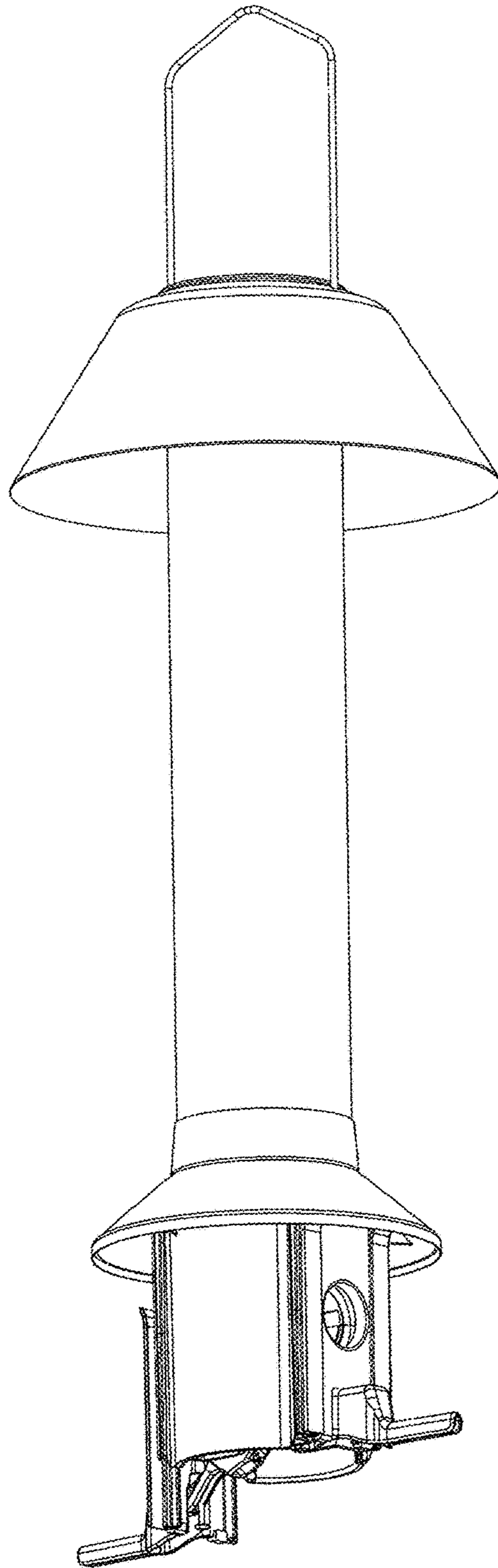


FIG. 7

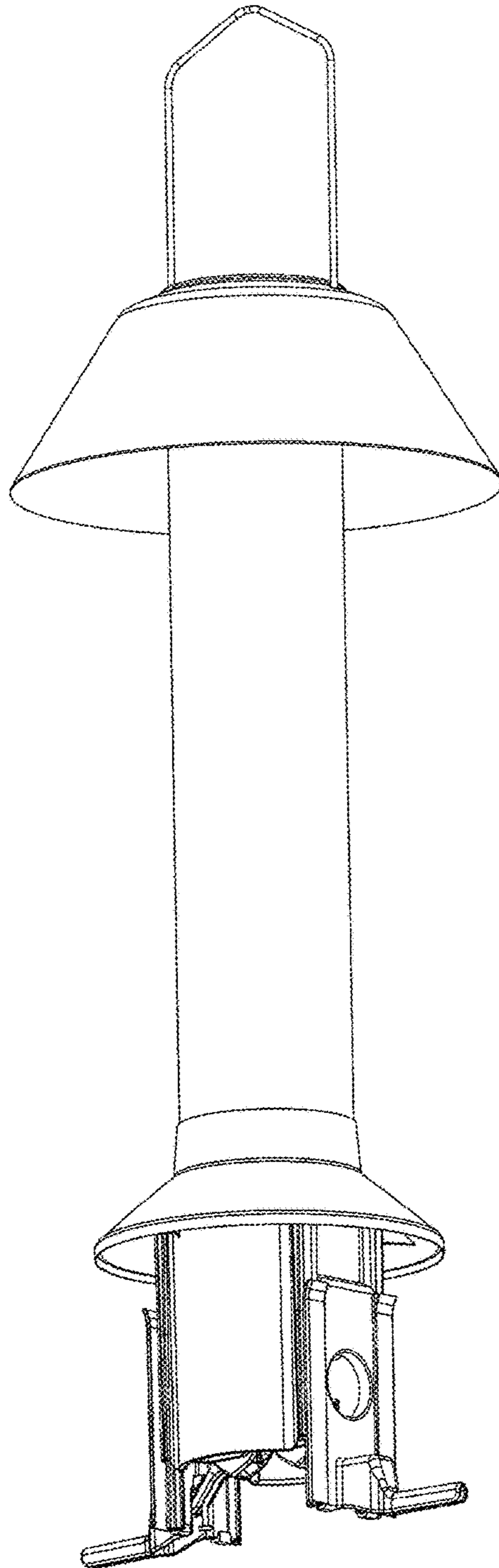


FIG. 8