



US00D817554S

(12) **United States Design Patent**  
**O’Connell**

(10) **Patent No.:** **US D817,554 S**  
(45) **Date of Patent:** **\*\* May 8, 2018**

(54) **HELMET SHROUD**

(71) Applicant: **Gentex Corporation**, Simpson, PA (US)  
(72) Inventor: **Jason W. O’Connell**, Raynham, MA (US)  
(73) Assignee: **GENTEX CORPORATION**, Simpson, PA (US)  
(\*\*) Term: **15 Years**  
(21) Appl. No.: **29/596,693**

(22) Filed: **Mar. 10, 2017**  
(51) **LOC (11) Cl.** ..... **29-02**  
(52) **U.S. Cl.**  
USPC ..... **D29/122**  
(58) **Field of Classification Search**  
USPC ..... D29/100, 102, 106, 108, 110, 122;  
D2/865, 880, 881; 2/455, 456, 410, 7,  
2/8.2, 424, 425, 9, 468, 171, 205, 206;  
128/201.23, 857  
CPC .... A41D 13/05; A41D 13/11; A41D 13/1107;  
A41D 13/1161; A41D 13/113; A41D  
13/1138; A41D 13/1146; A42B 3/18;  
A42B 3/20; A42B 3/205; A42B 3/32;  
A42B 3/326; A42B 3/00; A42B 3/04;  
A42B 3/0406; A42B 3/08; A42B 3/085;  
A42B 1/008; A61F 9/06; A63B 71/08;  
A63B 7/085; A63B 71/10; A63B 71/12;  
A63B 71/1291  
See application file for complete search history.

(56) **References Cited**

**U.S. PATENT DOCUMENTS**

6,751,810 B1 \* 6/2004 Prendergast ..... A42B 3/04  
2/422  
6,938,276 B1 \* 9/2005 Prendergast ..... A42B 3/04  
2/422  
D750,846 S 3/2016 Noordzij et al.  
D778,508 S \* 2/2017 Moreau ..... D29/122

**OTHER PUBLICATIONS**

OPS-CORE 2012 Product Catalog; www.ops-core.com; Boston, MA, US; 44 pages; disclosed on or before Dec. 31, 2012.  
OPS-CORE 2013 Product Catalog; www.ops-core.com; Boston, MA, US; 44 pages; first disclosed on Jan. 14, 2013.

\* cited by examiner

*Primary Examiner* — Randall H Gholson  
(74) *Attorney, Agent, or Firm* — Morgan, Lewis & Bockius LLP

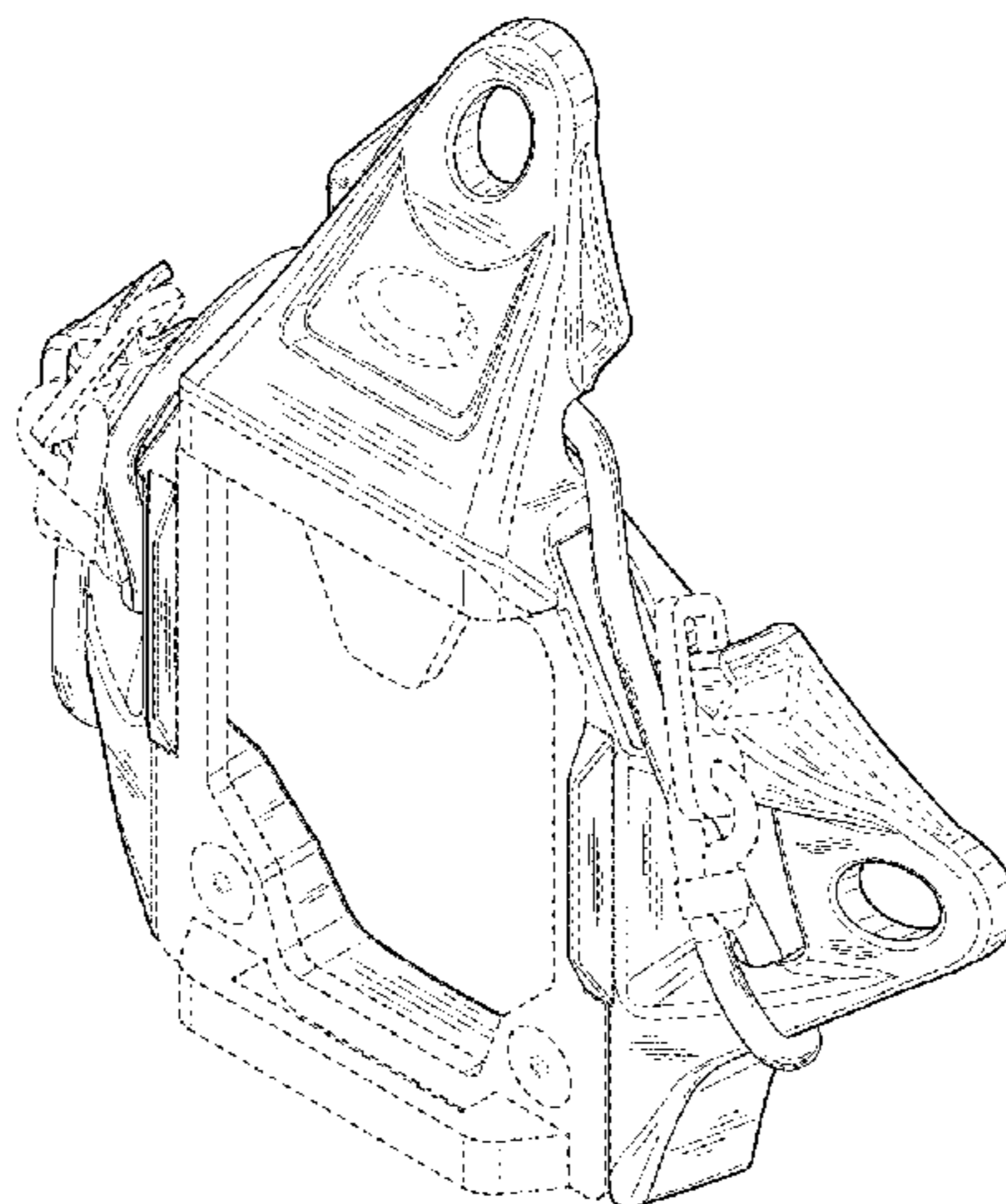
(57) **CLAIM**

The ornamental design for a helmet shroud, as shown and described.

**DESCRIPTION**

FIG. 1 is a front, top, left-side, perspective view of a helmet shroud showing my new design;  
FIG. 2 is a rear, bottom, right-side, perspective view of the helmet shroud shown in FIG. 1;  
FIG. 3 is a front elevational view of the helmet shroud shown in FIG. 1;  
FIG. 4 is a rear elevational view of the helmet shroud shown in FIG. 1;  
FIG. 5 is a left-side elevational view of the helmet shroud shown in FIG. 1;  
FIG. 6 is a right-side elevational view of the helmet shroud shown in FIG. 1;  
FIG. 7 is a top plan view of the helmet shroud shown in FIG. 1; and,  
FIG. 8 is a bottom plan view of the helmet shroud shown in FIG. 1.  
The broken lines shown in the drawings represent portions of the helmet shroud that form no part of the claimed design.

**1 Claim, 5 Drawing Sheets**



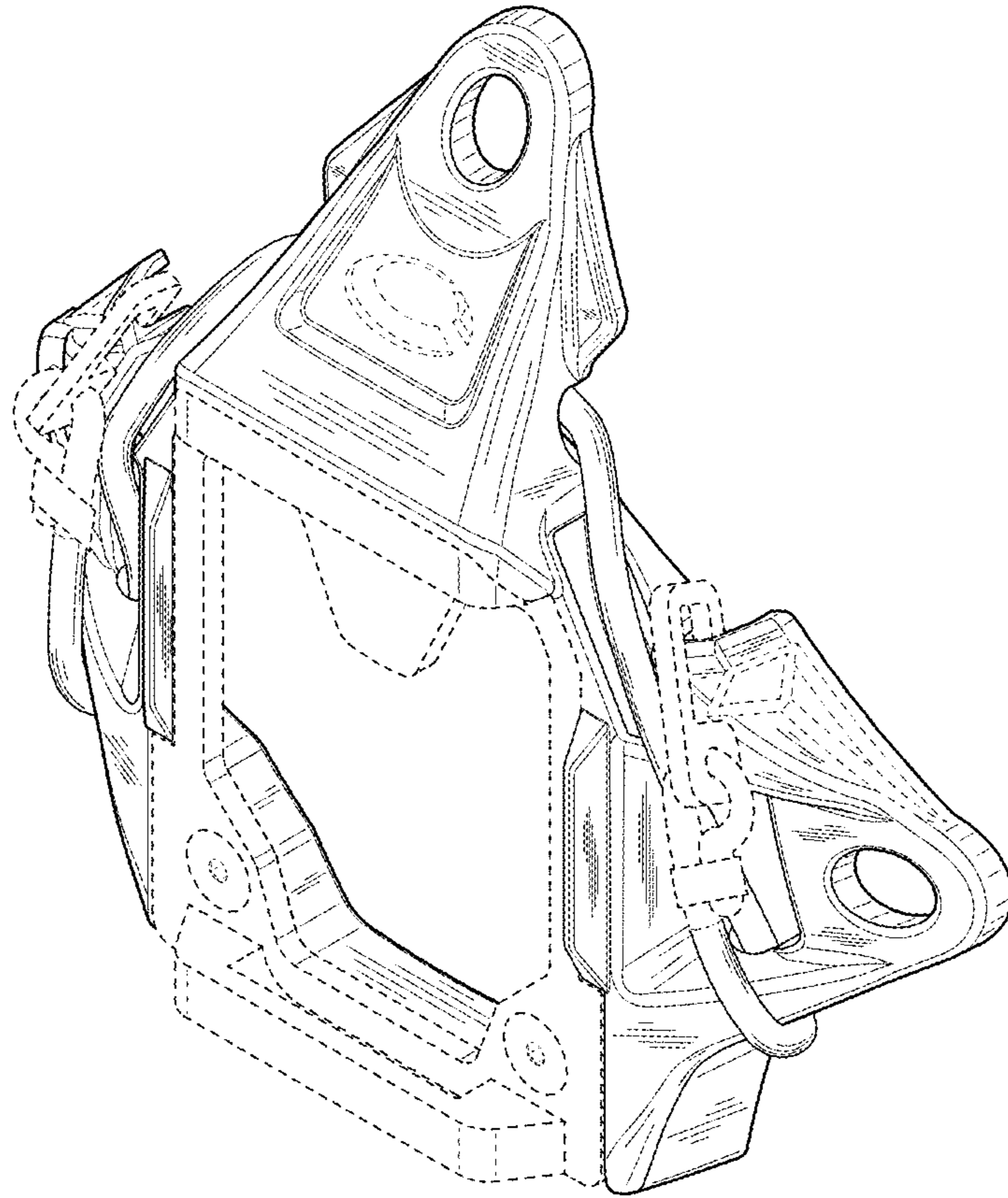


FIG. 1

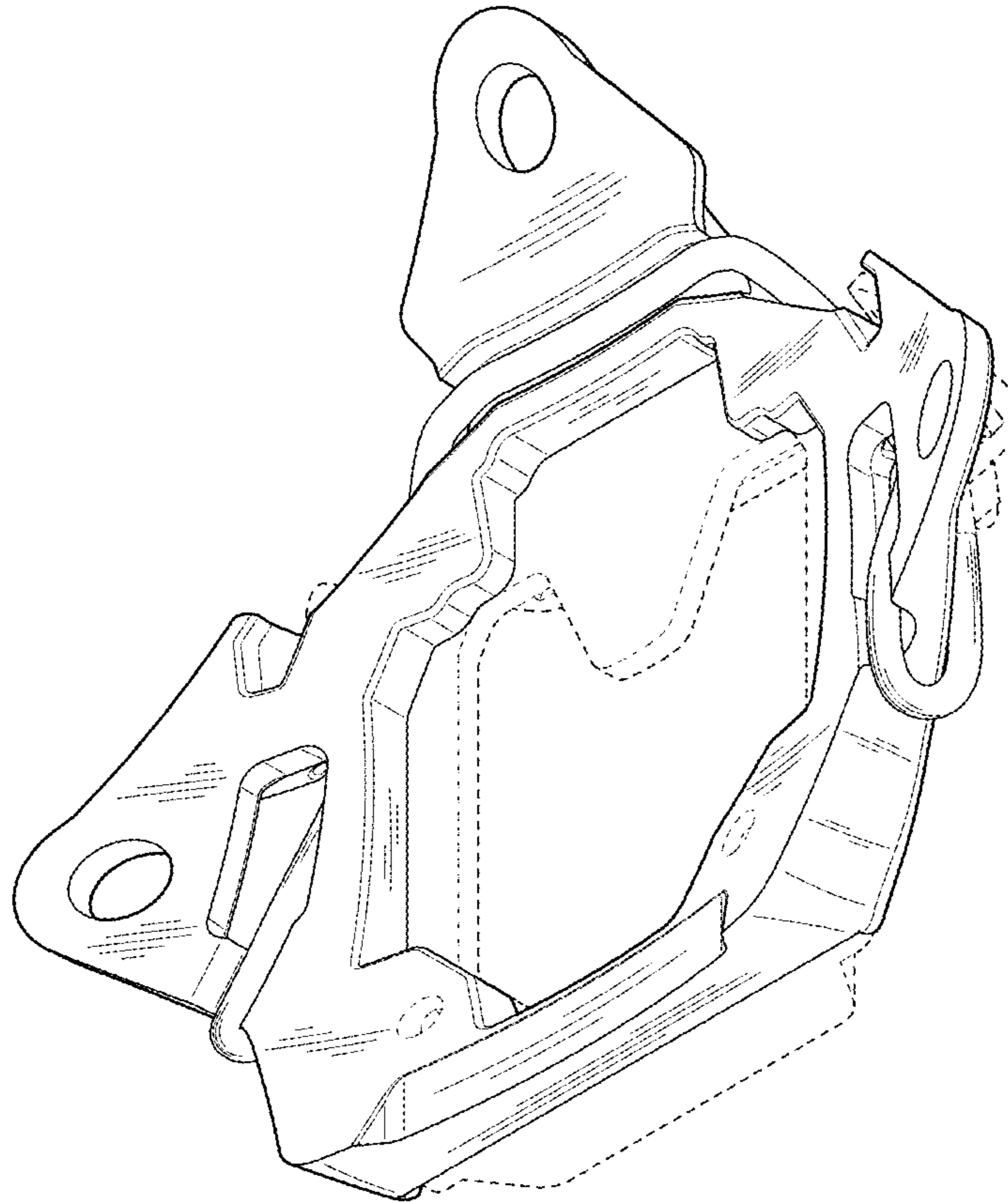


FIG. 2

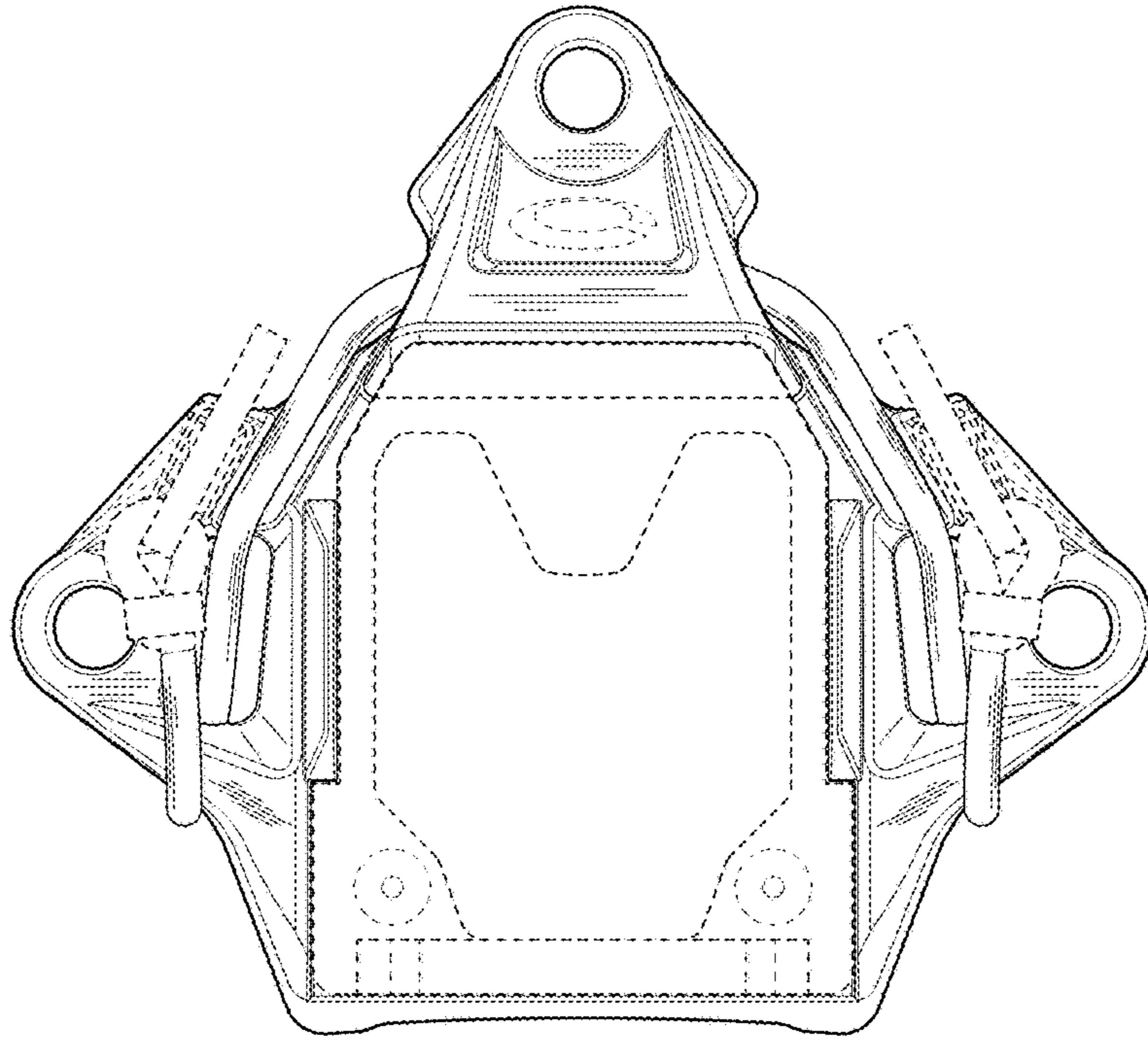


FIG. 3

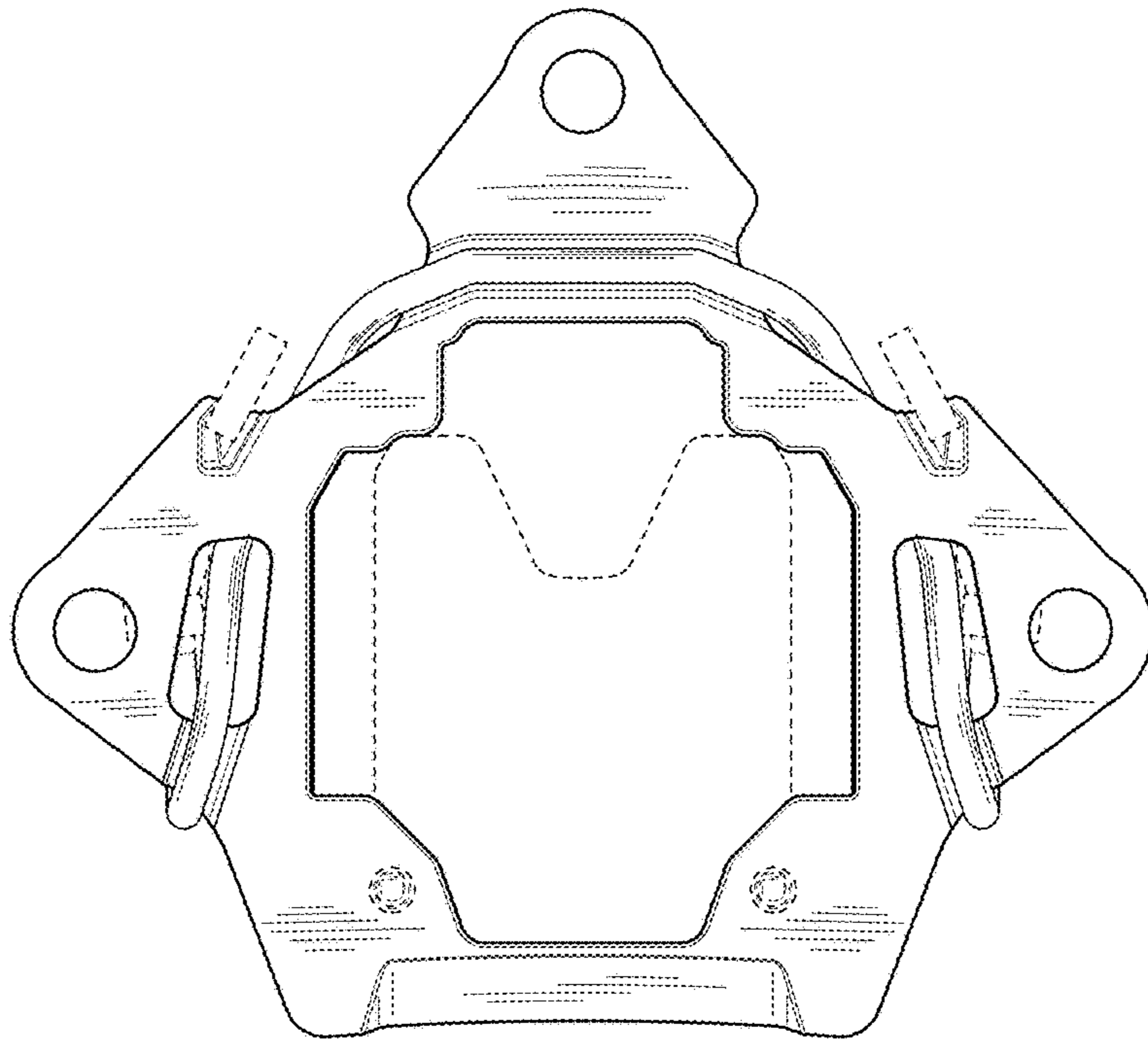


FIG. 4

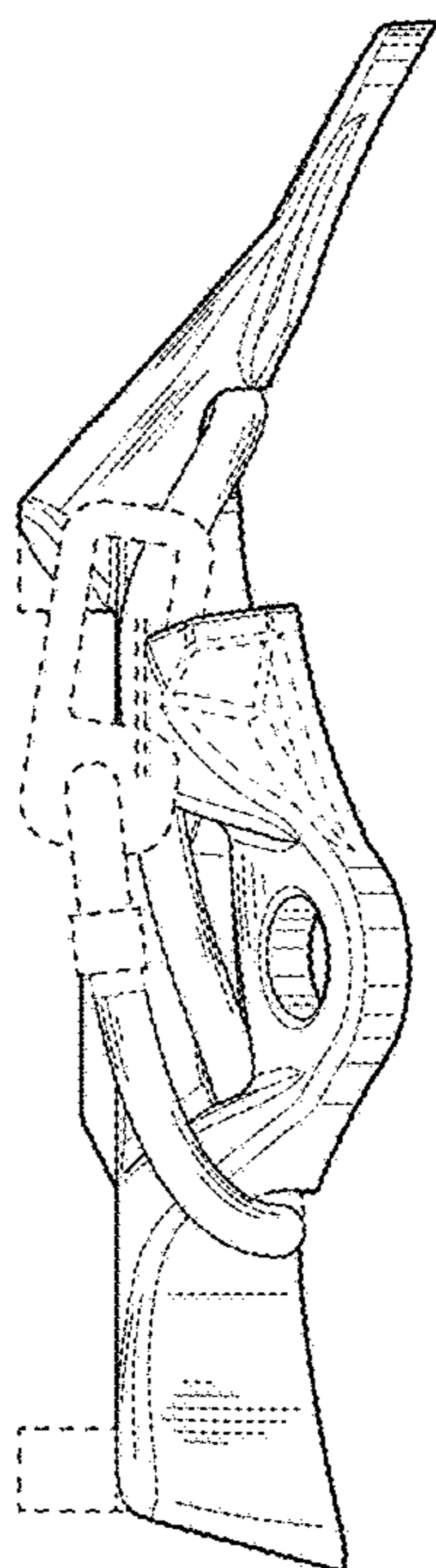


FIG. 5

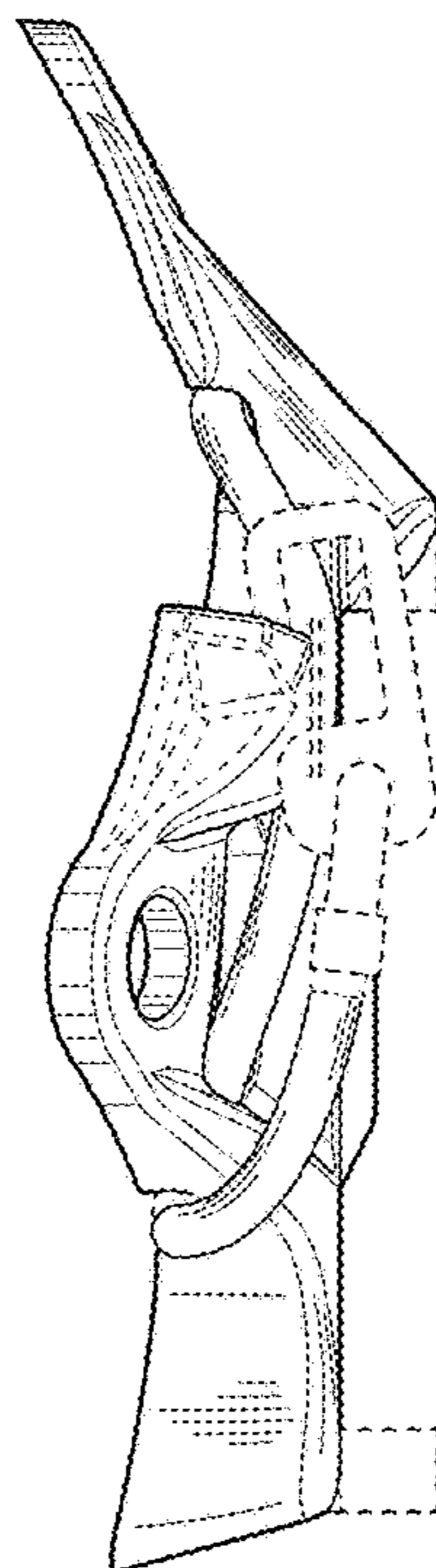


FIG. 6

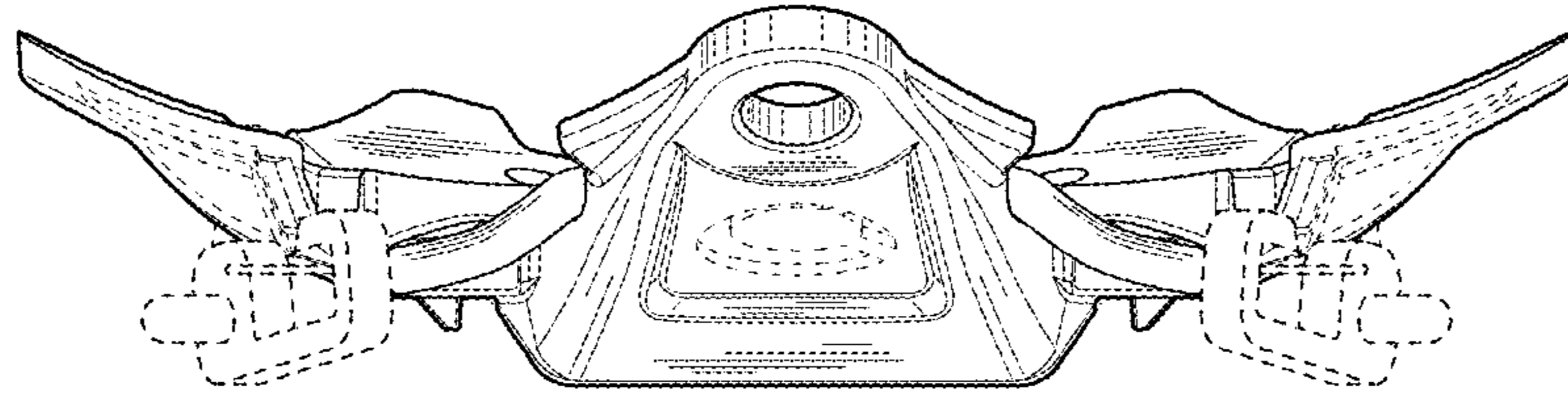


FIG. 7

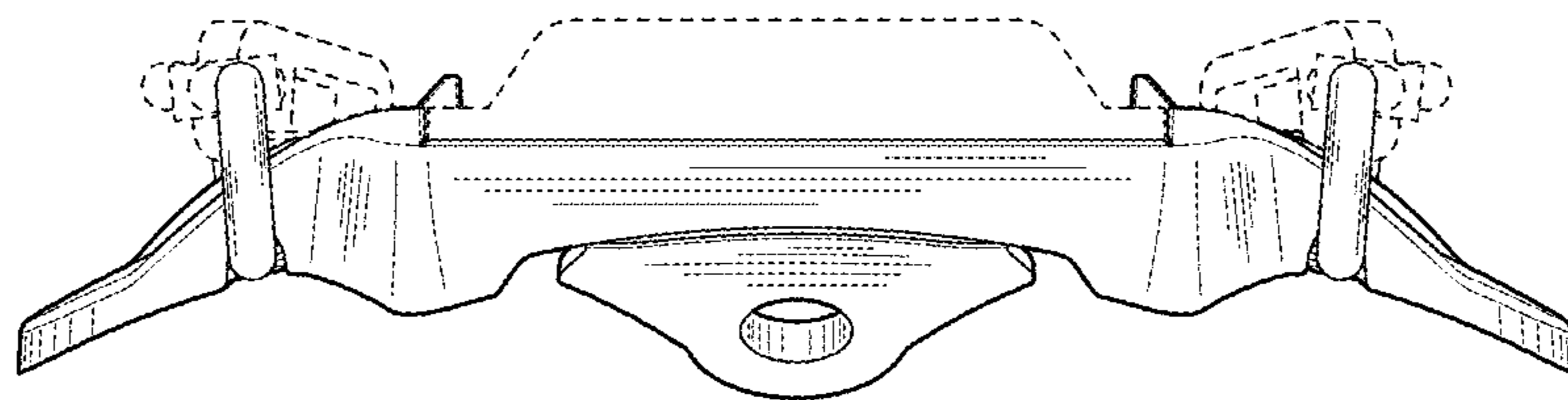


FIG. 8