



US00D817552S

(12) **United States Design Patent**  
**Lee**

(10) **Patent No.:** **US D817,552 S**

(45) **Date of Patent:** **\*\* May 8, 2018**

(54) **DISCHARGING PLATE FOR COMPACT CONTAINER**

(71) Applicant: **PUM-TECH KOREA CO., LTD,**  
Incheon (KR)

(72) Inventor: **Do Hoon Lee,** Bucheon-Si (KR)

(73) Assignee: **PUM-TECH KOREA CO., LTD.,**  
Bupyeong-Gu, Incheon (KR)

(\*\*) Term: **15 Years**

(21) Appl. No.: **29/586,748**

(22) Filed: **Dec. 6, 2016**

(51) **LOC (11) Cl.** ..... **28-03**

(52) **U.S. Cl.**  
USPC ..... **D28/84**

(58) **Field of Classification Search**  
USPC ..... D28/8, 7, 84; D9/418, 420, 423;  
132/293, 298, 307; 222/480, 478, 565  
CPC ..... A45D 33/00; A45D 33/02; A45D 33/025  
See application file for complete search history.

(56) **References Cited**

**U.S. PATENT DOCUMENTS**

1,642,780	A *	9/1927	Kole	.....	A45D 33/16
					132/295
D277,790	S *	2/1985	Schefer	.....	D28/7
D277,791	S *	2/1985	Schefer	.....	D28/7
D544,342	S *	6/2007	Liebe	.....	D28/78
D544,343	S *	6/2007	Liebe	.....	D28/78
7,494,030	B2 *	2/2009	Bennett	.....	A45D 33/16
					132/307
D626,289	S *	10/2010	Lee	.....	D28/82

8,006,707	B2 *	8/2011	Thorpe	.....	A45D 33/003
					132/307
8,678,222	B2 *	3/2014	Thorpe	.....	A45C 13/008
					132/293
D756,033	S *	5/2016	Gordon	.....	D28/7
D774,900	S *	12/2016	Longoni	.....	B65D 51/1611
					D9/420
2017/0318938	A1 *	11/2017	Lee	.....	A45D 40/0075
2018/0002070	A1 *	1/2018	Lee	.....	B65D 25/54
2018/0037375	A1 *	2/2018	Lee	.....	B65D 43/26

\* cited by examiner

*Primary Examiner* — Susan Bennett Hattan

*Assistant Examiner* — Rebecca Tsehaye

(74) *Attorney, Agent, or Firm* — Heedong Chae; Lucem, PC

(57) **CLAIM**

The ornamental design for a discharging plate for compact container, as shown and described.

**DESCRIPTION**

FIG. 1 is a perspective view of a discharging plate for compact container showing my new design;  
FIG. 2 is a front view thereof;  
FIG. 3 is a rear view thereof;  
FIG. 4 is a left side view thereof;  
FIG. 5 is a right side view thereof;  
FIG. 6 is a top plan view thereof; and,  
FIG. 7 is a bottom plan view thereof.  
The broken lines depict unclaimed environment and form no part of the claimed design.

**1 Claim, 7 Drawing Sheets**

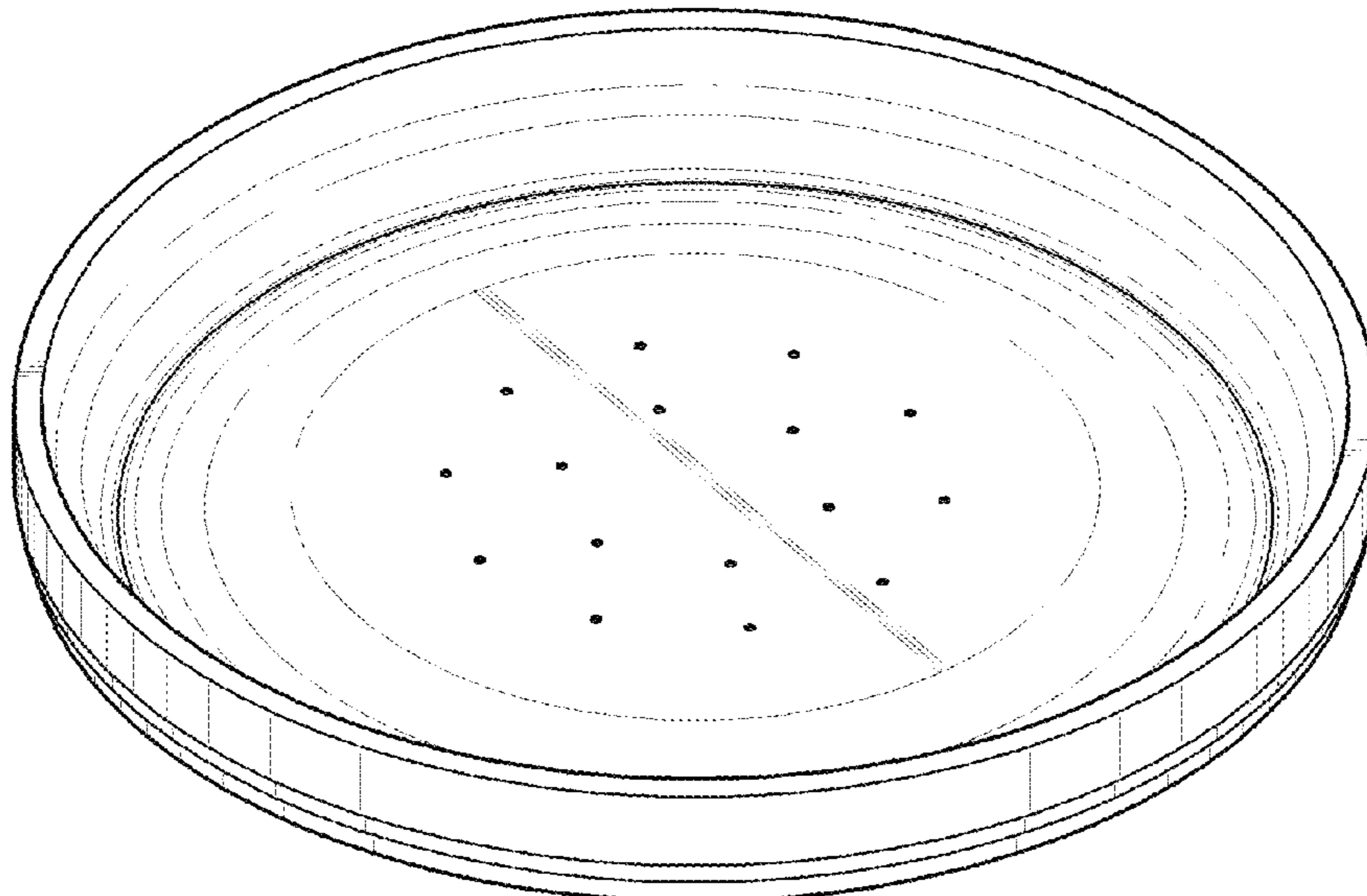


FIG. 1

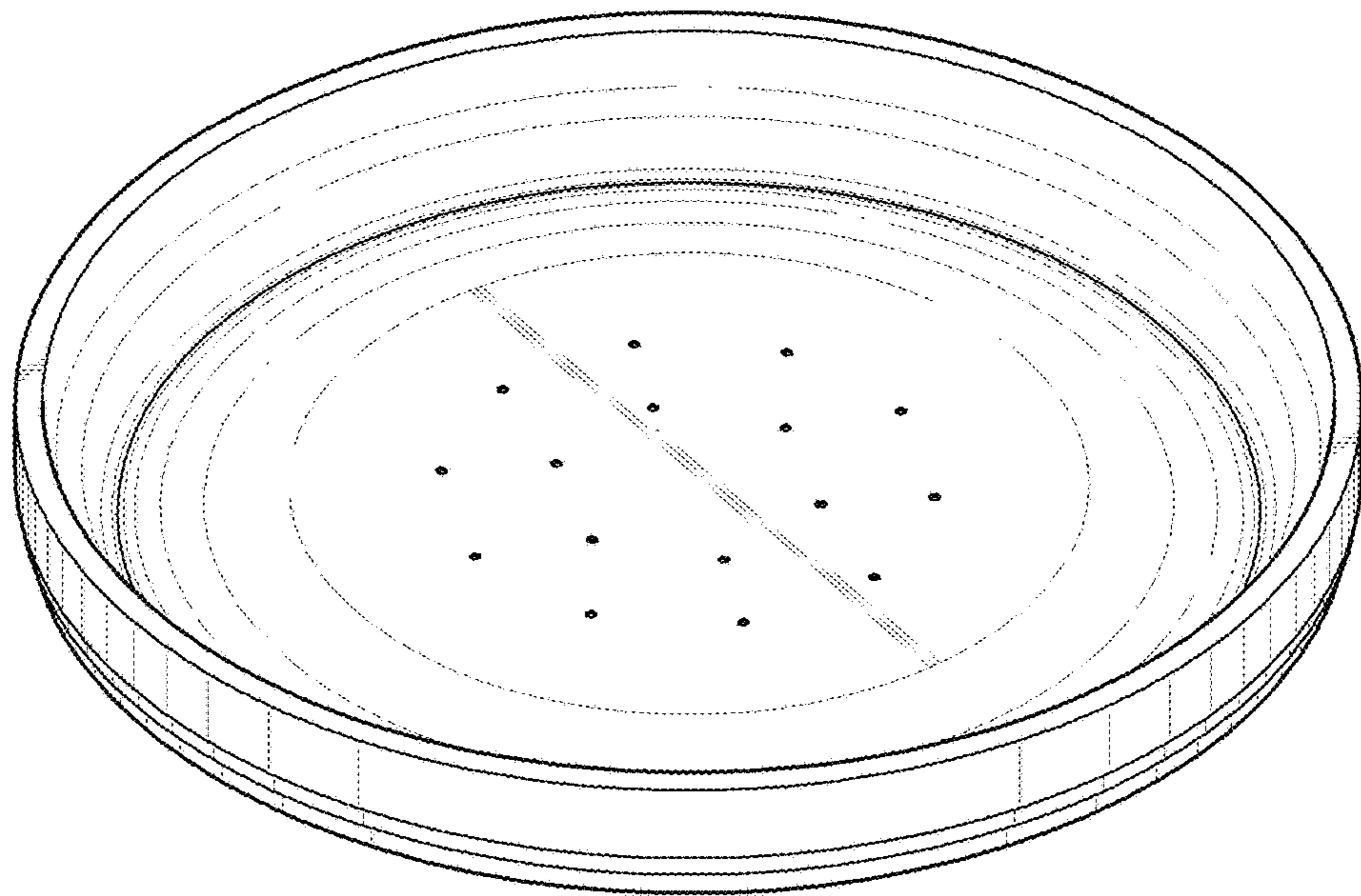


FIG. 2

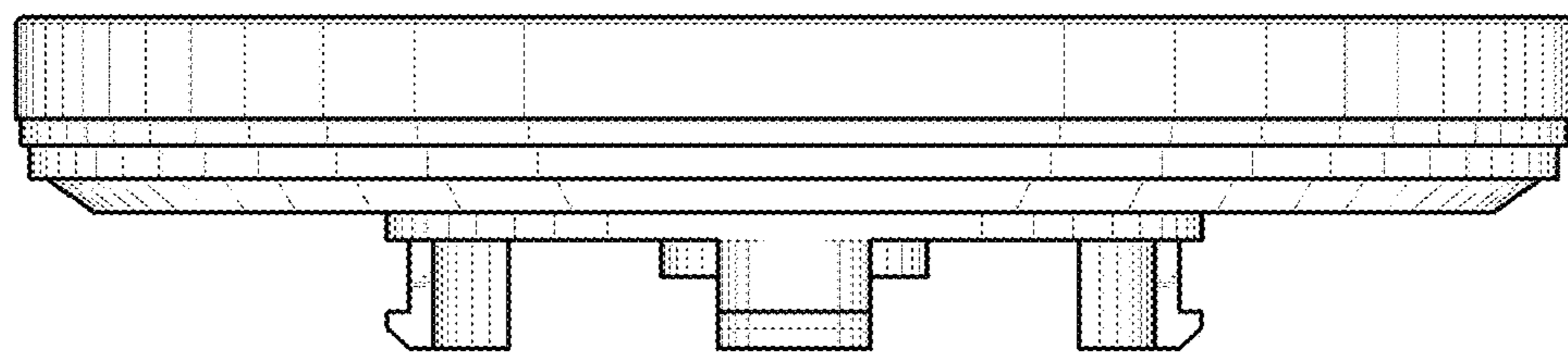


FIG. 3

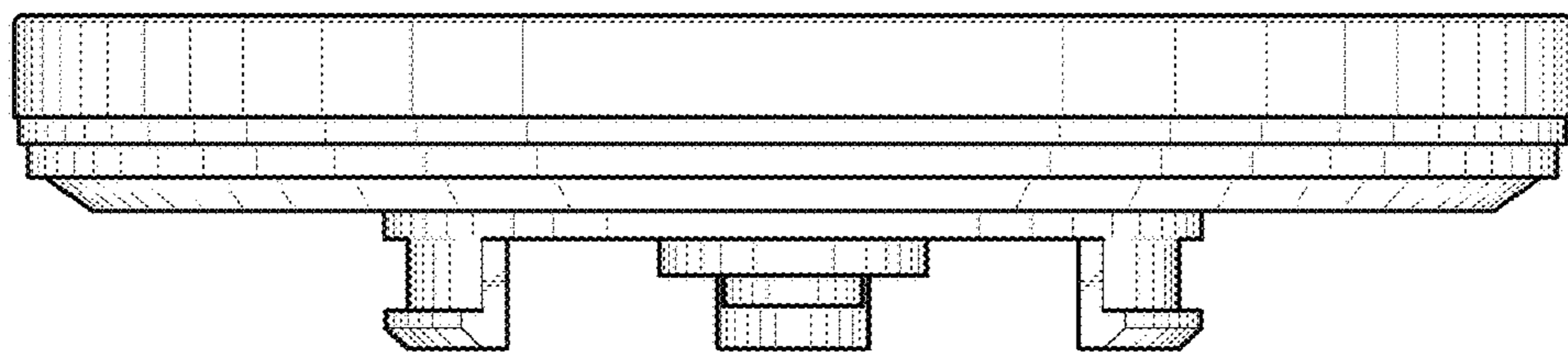


FIG. 4

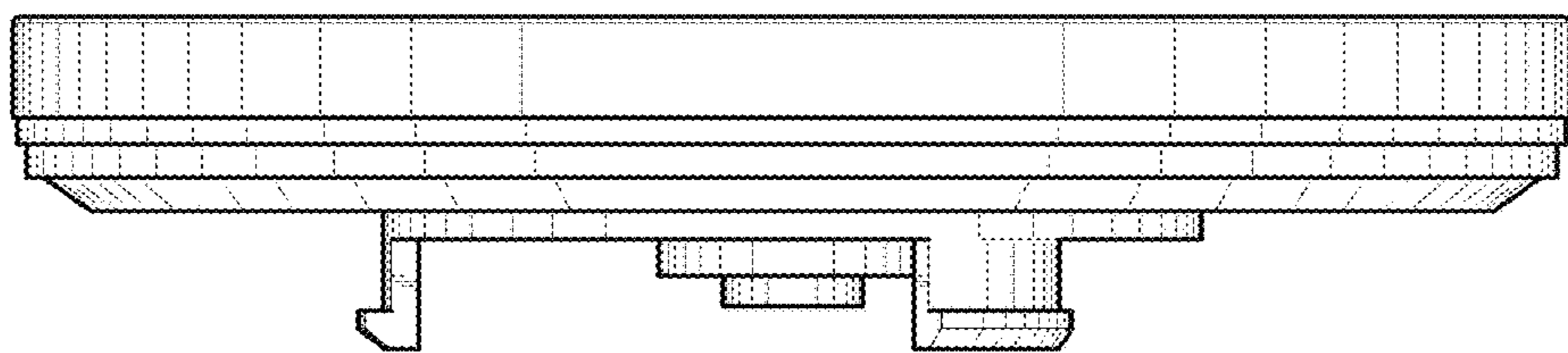


FIG. 5

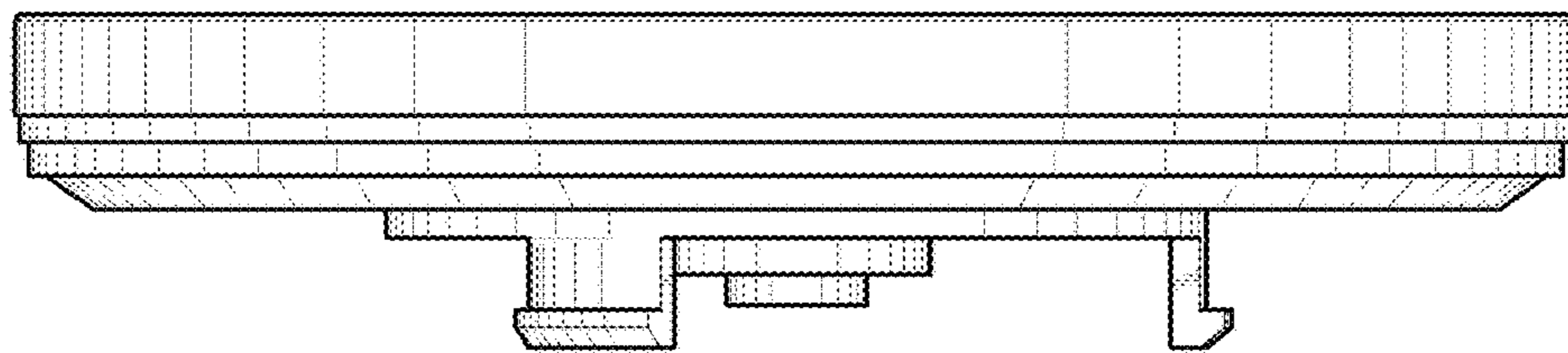


FIG. 6

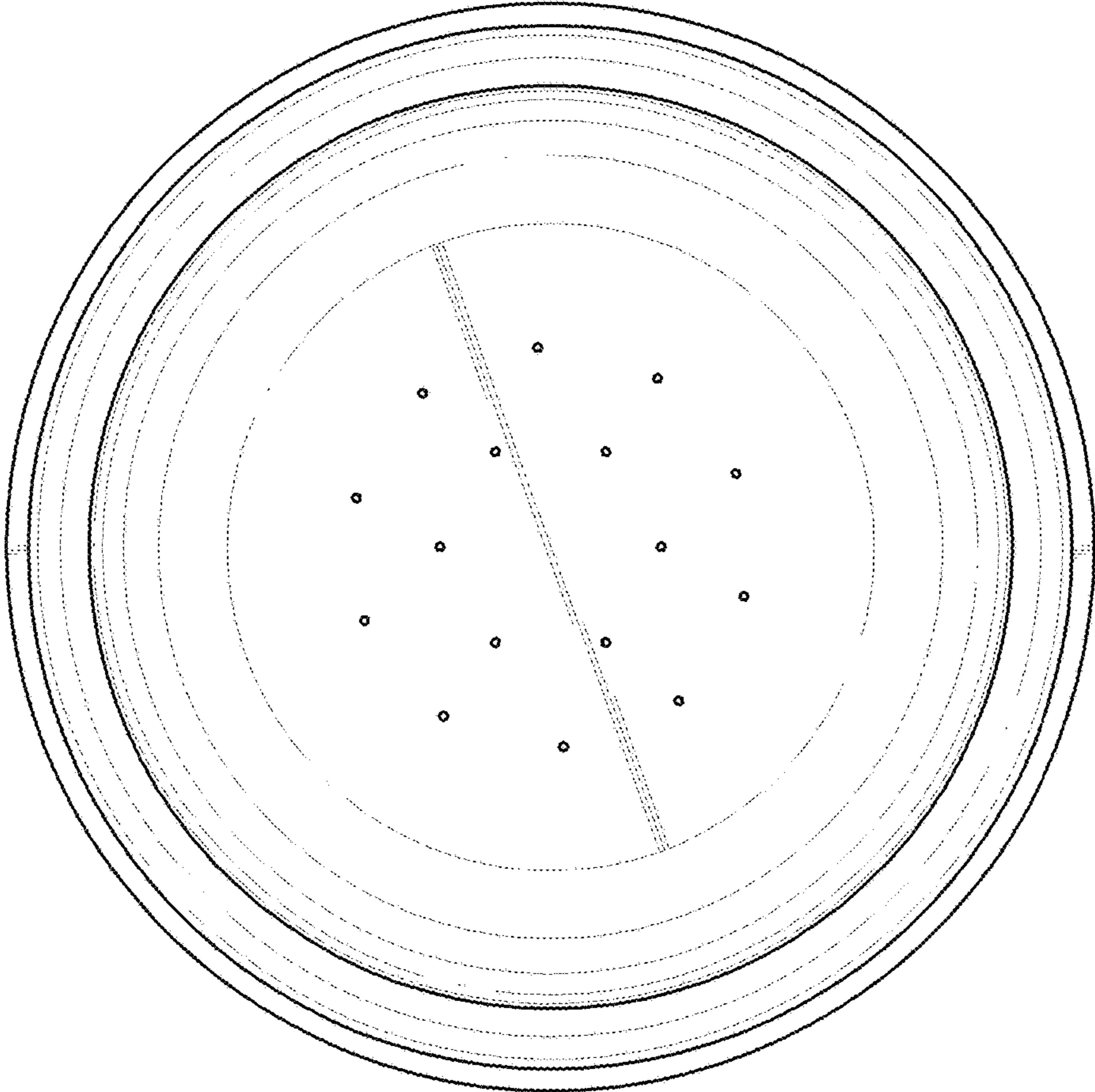


FIG. 7

