



US00D817547S

(12) **United States Design Patent** (10) **Patent No.:** **US D817,547 S**
Brodbeck (45) **Date of Patent:** **** May 8, 2018**

(54) **COMBINED DISPENSER AND APPLICATOR**

(56) **References Cited**

(71) Applicant: **Larada Sciences, Inc.**, Murray, UT
(US)
(72) Inventor: **Kelly J. Brodbeck**, Santa Barbara, CA
(US)
(73) Assignee: **Larada Sciences, Inc.**, Murray, UT
(US)
(**) Term: **15 Years**
(21) Appl. No.: **29/559,554**

U.S. PATENT DOCUMENTS

1,429,823 A	9/1922	Allison	
2,532,001 A	11/1950	Williams	
2,545,885 A	8/1951	Heinrich et al.	
2,616,435 A	11/1952	Lupo	
2,642,070 A	6/1953	Lubin et al.	
2,883,994 A *	4/1959	Angelini	A45D 24/04 132/138
3,101,086 A	8/1963	Di Vito	
3,192,934 A	7/1965	Catania	
3,552,403 A	1/1971	Sestito	
3,696,823 A	10/1972	Dannat	
3,805,381 A	4/1974	Broussard, Sr.	

(Continued)

(22) Filed: **Mar. 29, 2016**
(51) **LOC (11) Cl.** **28-03**
(52) **U.S. Cl.**
USPC **D28/29**

FOREIGN PATENT DOCUMENTS

DE	19931272 C2	1/2001
DE	3018984 A1	11/2011
WO	201050418 A1	10/2010

(58) **Field of Classification Search**
USPC D28/7, 8.2, 13, 20, 21, 28, 30, 31, 33,
D28/44.2, 56-59, 73-74, 54.1; D4/104,
D4/109, 111, 128; D24/152, 176,
D24/209-210
CPC .. A61K 8/02; A61K 9/00; A46B 9/021; A46B
1/00; A46B 3/00; A46B 5/00; A46B
9/023; A46B 9/025; A46B 9/026; A46B
9/028; A46B 2200/1046; A61B 17/24;
A61C 15/00; A61C 15/04; A61C 15/043;
A61C 15/046; A61C 15/048; A45D
19/00; A45D 19/0008; A45D 2019/0041;
A45D 2019/0066; A45D 44/00; A45D
29/00; A45D 29/20; A45D 29/22; A45D
29/14; A45D 29/06; A45D 29/11; A45D
29/12; A45D 2029/002; A45D 34/04;
A45D 34/041; A45D 26/00; A45D 40/26;
A45D 40/20; B65D 47/42; B43K 5/1845;
B43K 5/06; B43M 11/06

Primary Examiner — Shannon Morgan
Assistant Examiner — Debra A Callahan
(74) *Attorney, Agent, or Firm* — The Firenza Group Ltd.;
Sharon R. Kantor

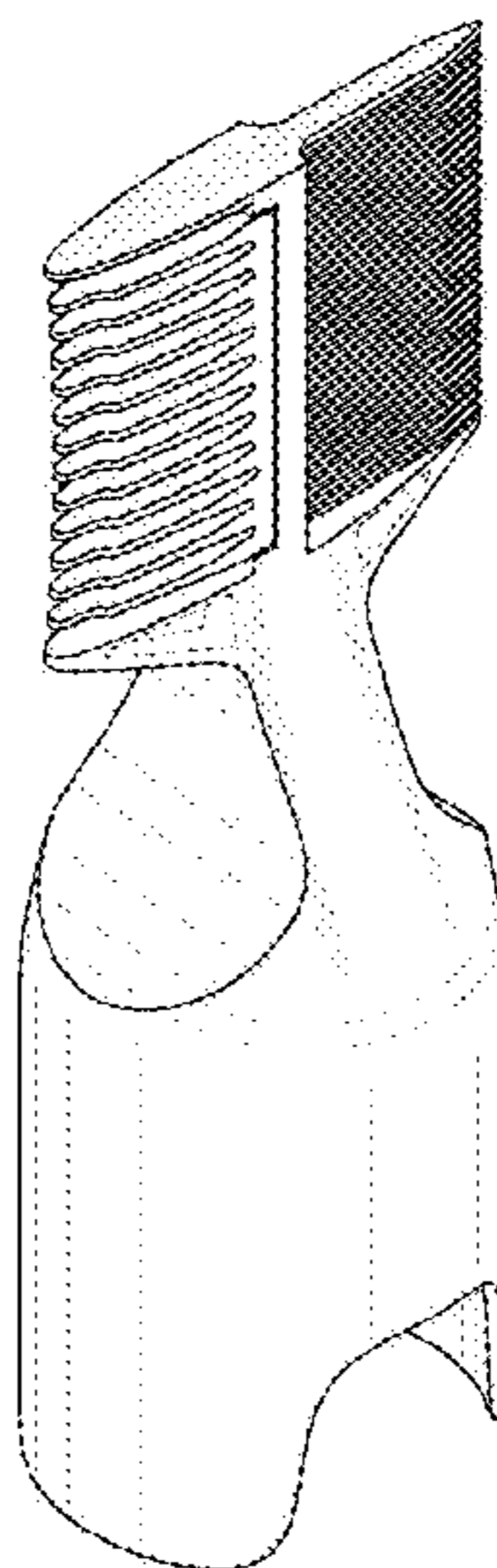
(57) **CLAIM**
The ornamental design for a combined dispenser and applicator, as shown and described.

DESCRIPTION

FIG. 1 is a top left front perspective view of a combined dispenser and applicator showing my new design;
FIG. 2 is a left side view thereof;
FIG. 3 is a right side view thereof;
FIG. 4 is a front view thereof;
FIG. 5 is a rear view thereof;
FIG. 6 is a top view thereof; and,
FIG. 7 is a bottom view thereof.
The broken lines illustrating portions of the combined dispenser and applicator form no part of the claimed design.

See application file for complete search history.

1 Claim, 5 Drawing Sheets



(56)

References Cited

U.S. PATENT DOCUMENTS

3,861,407 A 1/1975 Gabriele
D251,826 S 5/1979 Hartung
D259,667 S 6/1981 Williams
4,399,827 A 8/1983 Fuhs
D274,658 S 7/1984 Saferstein
D282,294 S * 1/1986 Harvey D28/25
4,566,472 A * 1/1986 Mueller A45D 24/22
132/110
4,612,944 A 9/1986 Bachrach et al.
D289,567 S * 4/1987 O'Connor D28/25
4,813,439 A 3/1989 Morgan
D307,192 S 4/1990 Saferstein
5,018,542 A 5/1991 Lee
5,054,504 A * 10/1991 Winrow A45D 19/02
132/110
5,056,480 A 10/1991 Murray, Sr.
5,146,936 A * 9/1992 Ng A45D 19/02
132/112
5,152,305 A * 10/1992 Niv A45D 24/24
132/108
D332,511 S 1/1993 Irving
D332,700 S 1/1993 Hill
D336,540 S 6/1993 Doran
D337,175 S 7/1993 Leopard et al.
D339,235 S 9/1993 Hirzel
5,289,833 A 3/1994 McDonald
5,311,887 A 5/1994 Ramsey
D353,915 S 12/1994 Lanne
D365,662 S 12/1995 Leman
D370,302 S * 5/1996 Healy D28/25
D374,108 S 9/1996 Moody
5,626,153 A 5/1997 Petrarca
5,636,646 A 6/1997 Zito
5,655,482 A 8/1997 Lundquist
5,694,953 A * 12/1997 Stephan A45D 19/00
132/160
D426,028 S * 5/2000 Garofano D28/7
D433,184 S 10/2000 Lennon

6,158,443 A 12/2000 Leman et al.
D441,136 S 4/2001 Leman
6,230,659 B1 5/2001 Karlsson
D445,969 S 7/2001 Lorenzo
6,341,611 B1 1/2002 Nakamura
D459,027 S 6/2002 Chen et al.
D461,281 S * 8/2002 Lee D28/24
6,467,653 B1 * 10/2002 Hamamoto A45D 19/02
222/105
D470,270 S 2/2003 Tashjian et al.
D480,835 S * 10/2003 Hegner D28/29
D487,943 S 3/2004 Anthony et al.
D487,944 S 3/2004 Anthony et al.
D487,945 S 3/2004 Anthony et al.
D490,185 S * 5/2004 Hegner D28/29
D493,571 S 7/2004 Jenkins
D524,983 S 7/2006 Smith et al.
D527,843 S 9/2006 Bartsch
7,234,472 B2 6/2007 Ramet
D602,633 S * 10/2009 Spagnuolo D28/7
D670,432 S 11/2012 Driver
D699,890 S 2/2014 Leman
D703,867 S * 4/2014 Srivastava D28/29
D706,977 S 6/2014 Langley et al.
D713,992 S 9/2014 Lolani et al.
D742,650 S 11/2015 Albers
D744,758 S 12/2015 Albers
9,247,805 B1 2/2016 Malm
2004/0011809 A1 * 1/2004 Yoshimoto B65D 83/0055
222/95
2005/0028834 A1 2/2005 Ramet
2005/0102768 A1 * 5/2005 Bartolone A45D 19/00
8/401
2009/0320868 A1 * 12/2009 Wang A45D 19/02
132/116
2013/0014338 A1 * 1/2013 Park A46B 9/021
15/176.6
2014/0056636 A1 * 2/2014 Gueret A45D 19/02
401/268

* cited by examiner

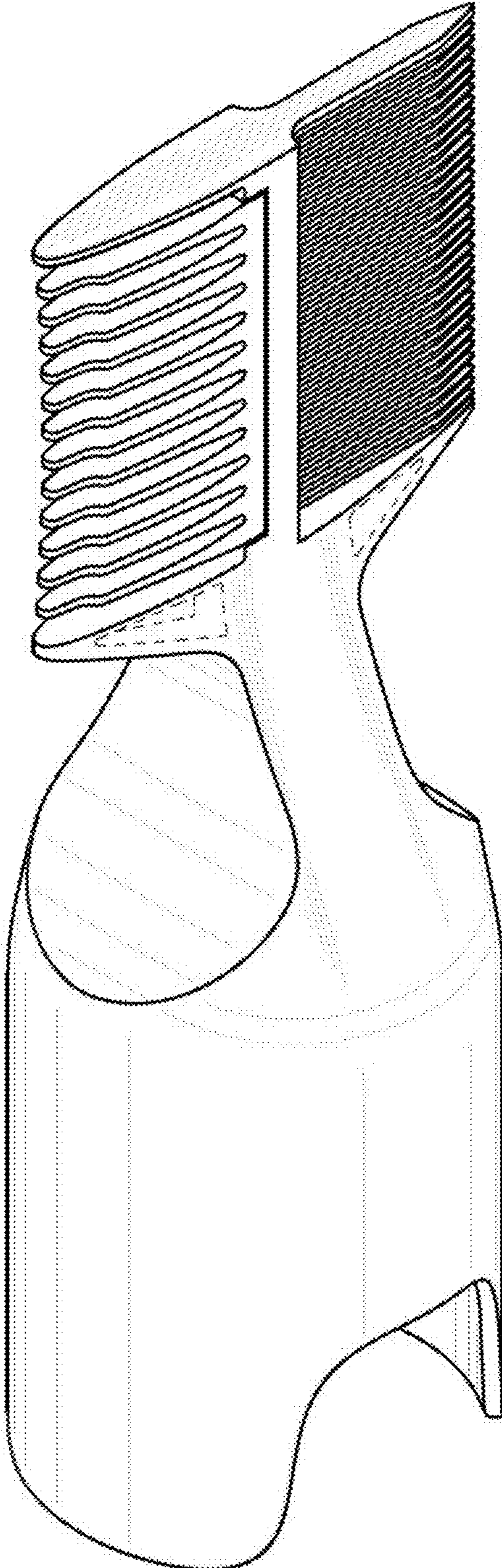


FIG. 1

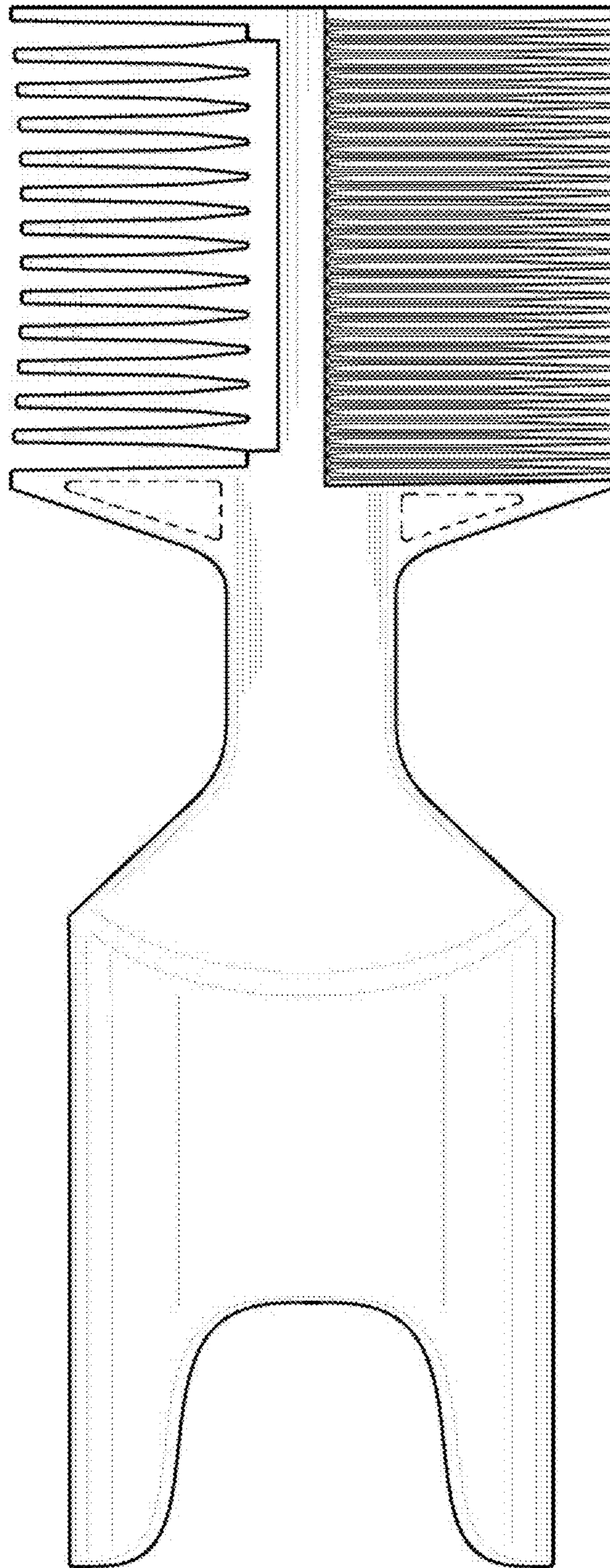


FIG. 2

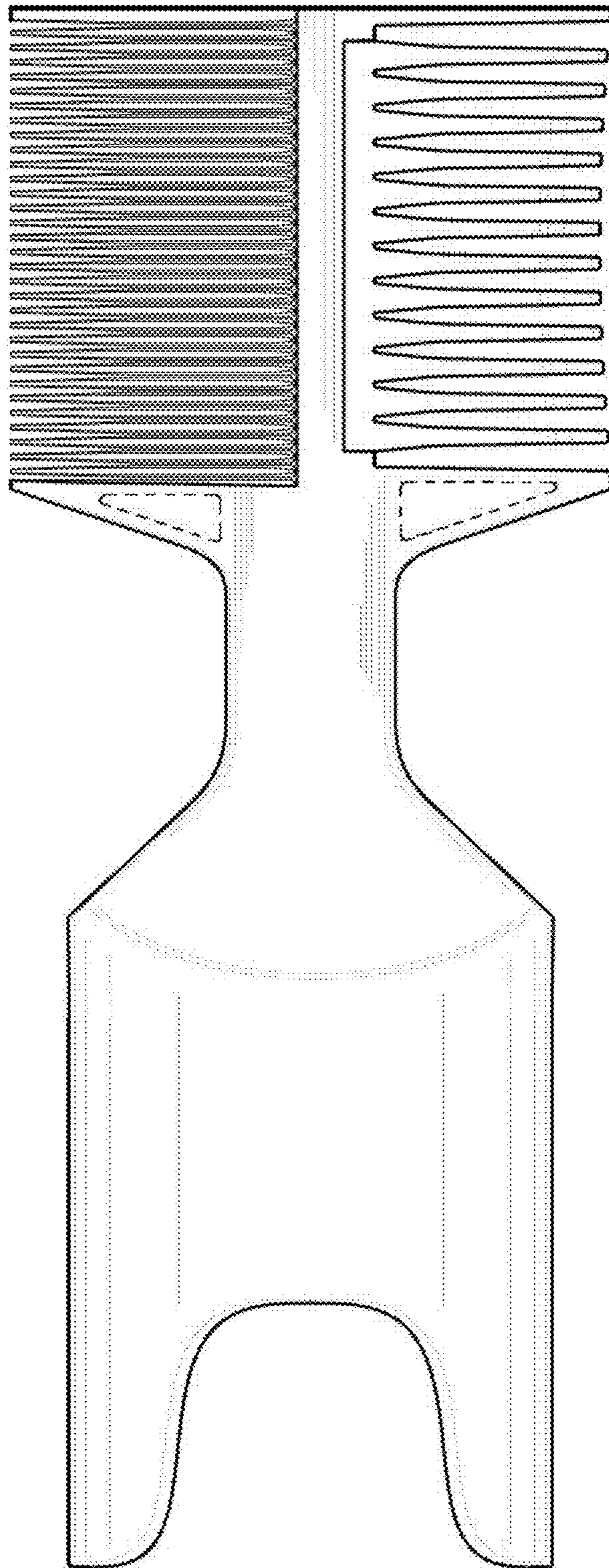


FIG. 3

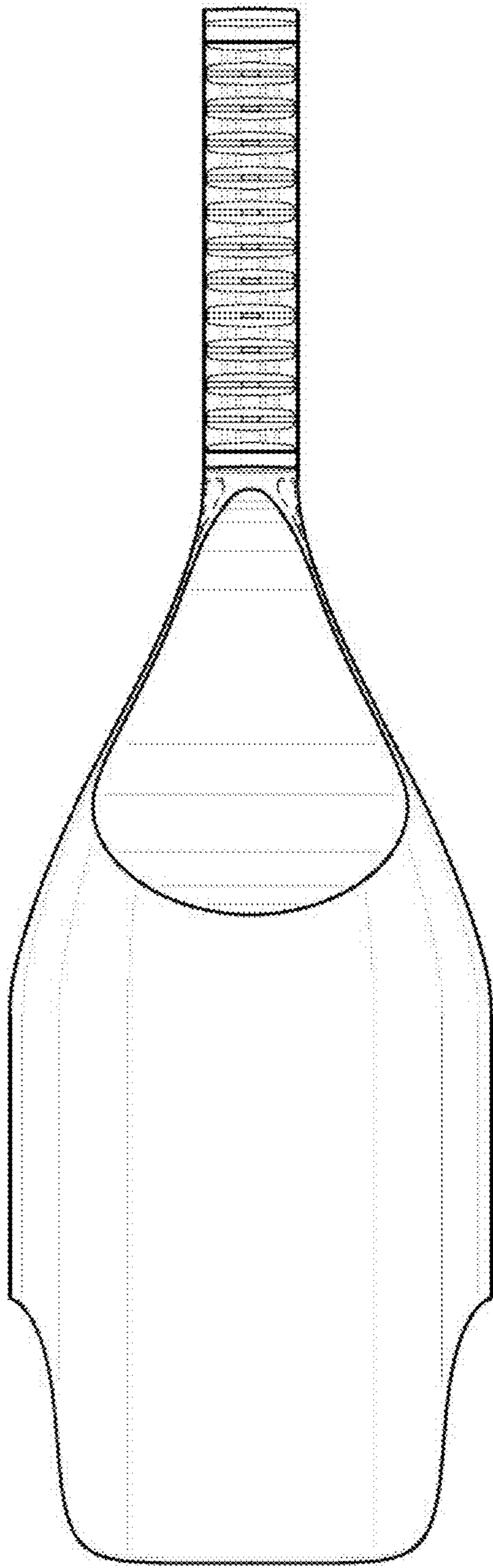


FIG. 4

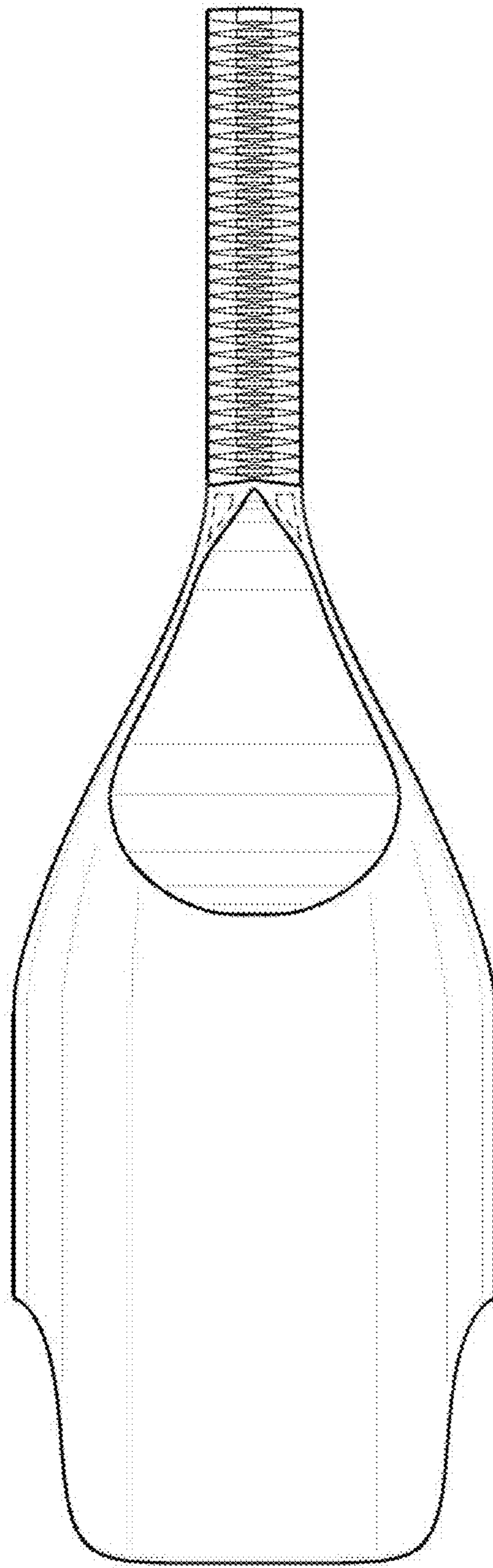


FIG. 5

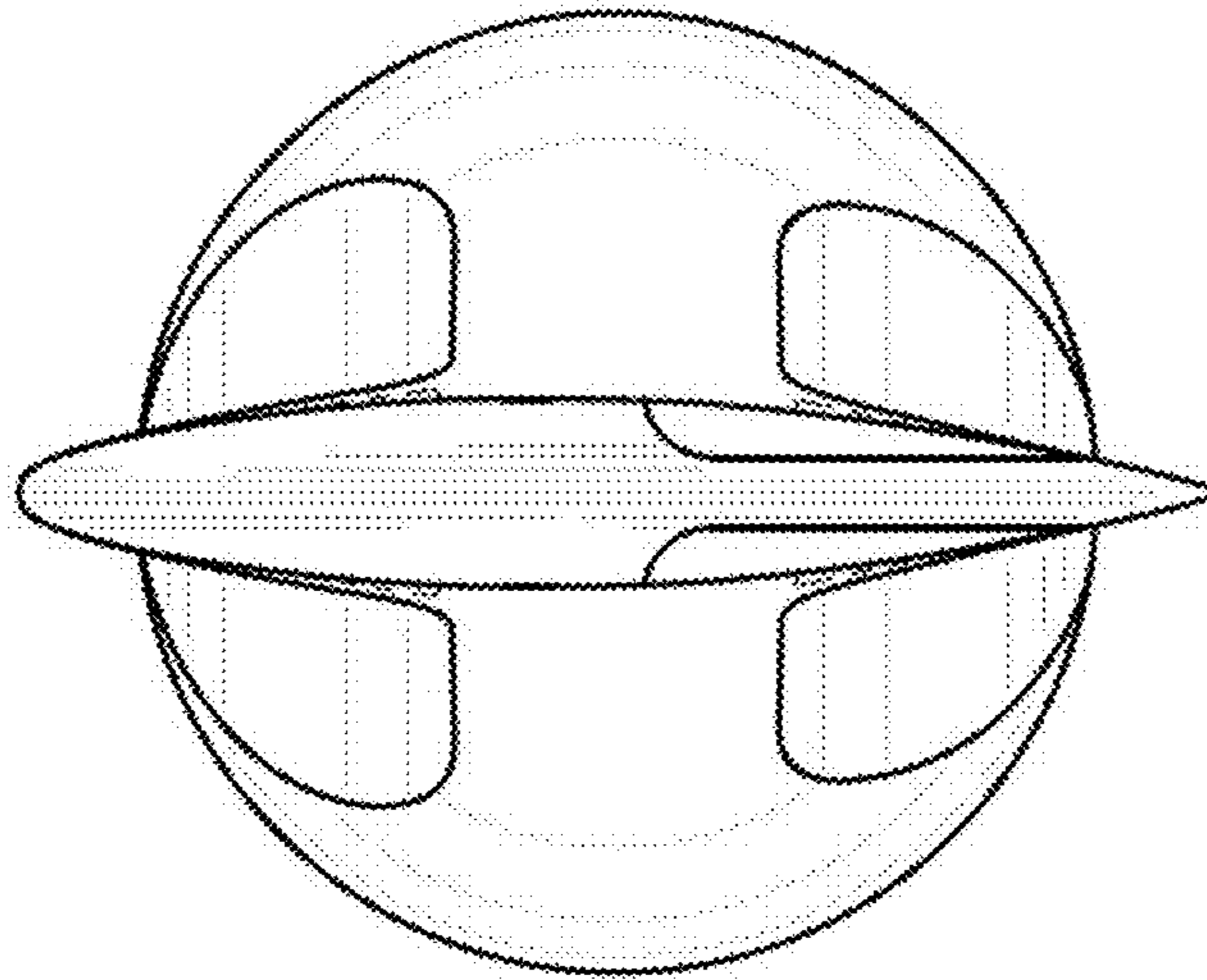


FIG. 6

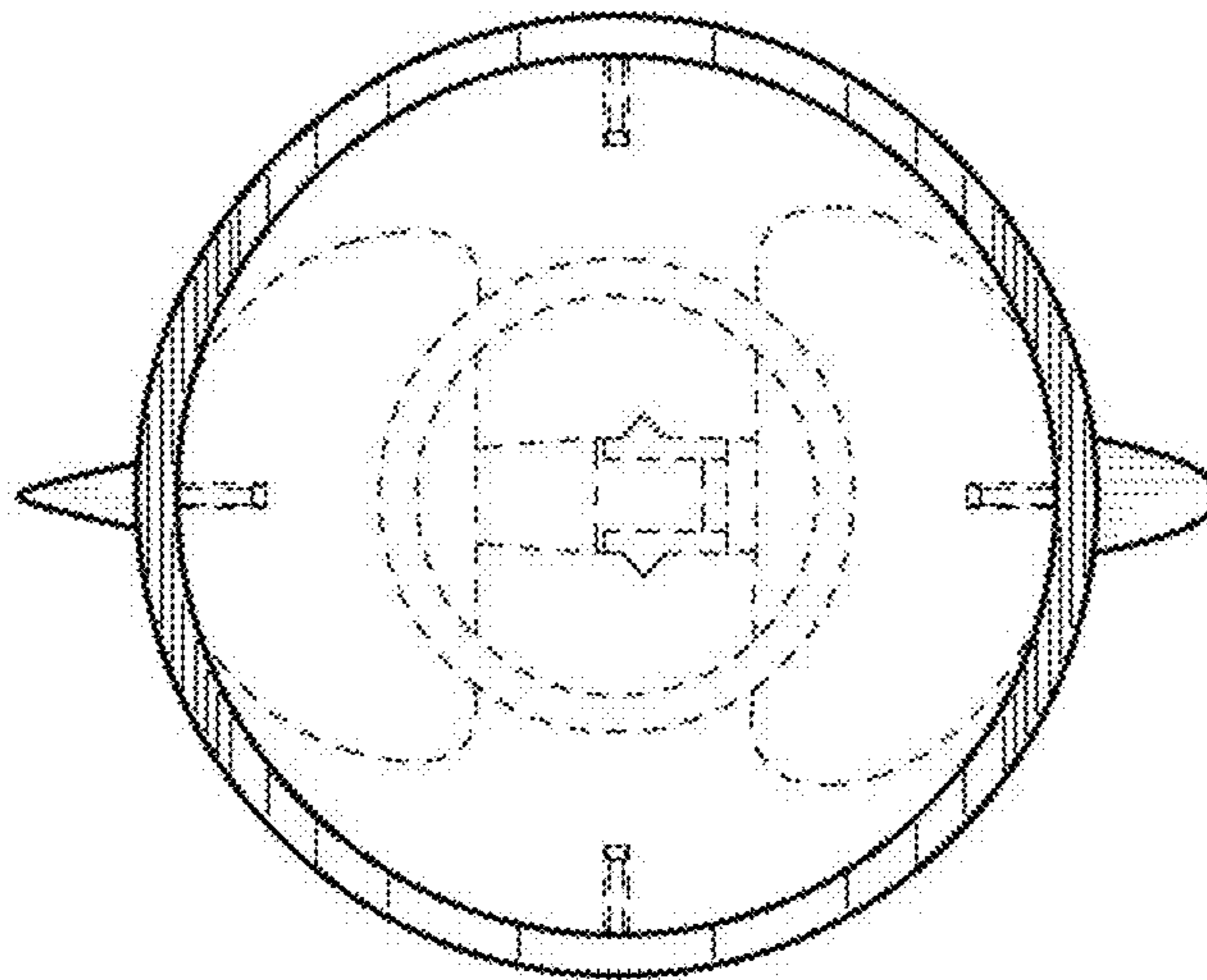


FIG. 7