



US00D817546S

(12) **United States Design Patent** (10) **Patent No.:** **US D817,546 S**
Barozzi (45) **Date of Patent:** **** May 8, 2018**

(54) **SCOOPED COSMETIC APPLICATOR**

FOREIGN PATENT DOCUMENTS

(71) Applicant: **ANISA INTERNATIONAL, INC.**,
Atlanta, GA (US)

GB 2238467 5/1991
JP 2006/075329 A 3/2006
JP 2008/168108 A 7/2008

(72) Inventor: **Eleonora Barozzi**, Tianjin (CN)

OTHER PUBLICATIONS

(73) Assignee: **Anisa International, Inc.**, Atlanta, GA
(US)

“Soft curve face & cheek brush—bare Minerals,” [online], posted Jul. 3, 2015, retrieved Mar. 27, 2017, retrieved from <<http://www.sephora.com/soft-curve-face-cheek-brush-P396524>>.*

(**) Term: **15 Years**

Primary Examiner — Shannon W Morgan

(21) Appl. No.: **29/556,960**

(74) *Attorney, Agent, or Firm* — Taylor English Duma LLP

(22) Filed: **Mar. 4, 2016**

(51) **LOC (11) Cl.** **28-02**

(52) **U.S. Cl.**
USPC **D28/7**

(57) **CLAIM**

The ornamental design for a scooped cosmetic applicator, as shown and described.

(58) **Field of Classification Search**

DESCRIPTION

USPC D28/7, 44, 46, 50, 52, 55–57, 99, 76–77,
D28/82, 85, 68; D24/170, 176, 232, 181;
D4/116, 118–119, 122, 127, 132, 135;
D19/108, 125, 123, 159, 115, 158, 163;
D21/181; D30/162; D3/7, 9; D8/72, 73
CPC A45D 34/041; A45D 2/22; A45D 2/2471;
A45D 26/0066; A45D 26/0071; A45D
29/004; A45D 29/007; A45D 29/04;
A45D 34/045; A45D 34/042; A45D
34/04; A45D 33/36; A45D 33/12; A45D
29/16; A45D 29/12; A45D 34/06; A45D
40/00; A45D 33/00; A45D 40/02; A45D
40/065; A45D 40/20; A45D 40/205;
A45D 40/06; A45D 40/16; A45D 40/28;
A61K 8/02; A61K 9/00; A61B 17/24

See application file for complete search history.

FIG. 1 is a top, front right side perspective view of a scooped cosmetic applicator showing the new design;
FIG. 2 is a right side elevational view of the scooped cosmetic applicator shown in FIG. 1;
FIG. 3 is a left side elevational view of the scooped cosmetic applicator shown in FIG. 1;
FIG. 4 is a rear end elevational view of the scooped cosmetic applicator shown in FIG. 1;
FIG. 5 is a front end elevational view of the scooped cosmetic applicator shown in FIG. 1;
FIG. 6 is a top plan view of the scooped cosmetic applicator shown in FIG. 1;
FIG. 7 is a bottom plan view of the scooped cosmetic applicator shown in FIG. 1; and,
FIG. 8 is right side cross sectional elevational view of the scooped cosmetic applicator taken along line 8-8 shown in FIG. 5.

The evenly spaced broken lines in the figures depict portions of the scooped cosmetic applicator. The dash-dot-dot broken lines in the figures depict a boundary line. None of the broken lines form part of the claimed design.

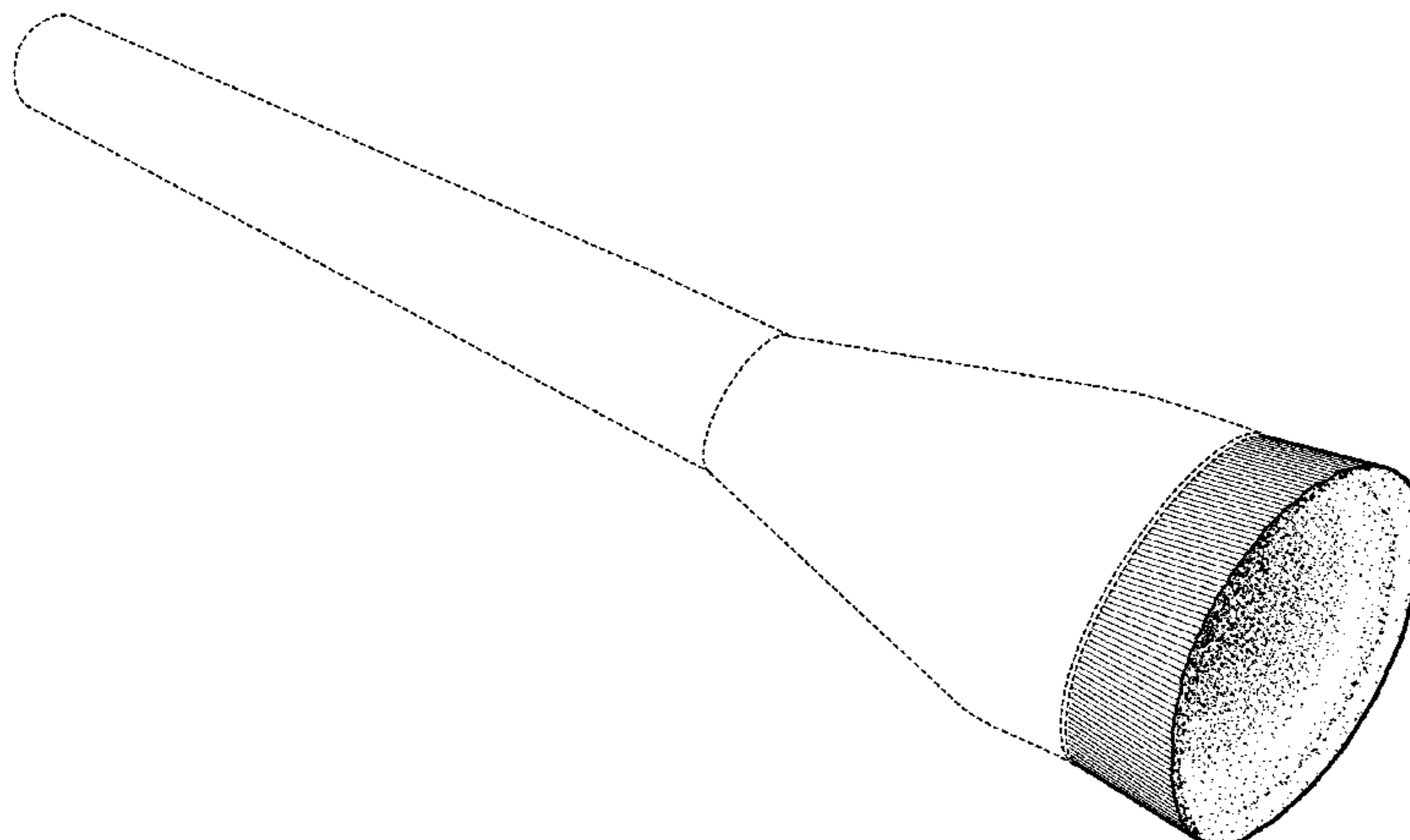
(56) **References Cited**

U.S. PATENT DOCUMENTS

1,120,476 A 12/1914 Hansen
2,662,240 A 10/1948 Perkins

(Continued)

1 Claim, 3 Drawing Sheets



(56)

References Cited

U.S. PATENT DOCUMENTS

2,681,463 A * 6/1954 Gordon B65D 51/32
401/128

3,471,202 A 10/1969 Lewis

3,596,999 A 8/1971 Lewis

3,604,043 A 9/1971 Lewis

D278,951 S * 5/1985 Kalinsky D28/7

4,842,132 A 7/1989 Wells

D306,493 S * 3/1990 Pessis D28/7

D350,853 S * 9/1994 Basque D4/135

D376,910 S * 12/1996 Tuchman 401/139

5,926,903 A * 7/1999 Kim A46B 5/0095
15/176.1

D434,511 S * 11/2000 Parker D23/200

D435,349 S * 12/2000 Kim D4/135

D450,189 S * 11/2001 Mink D4/127

D452,994 S 1/2002 Mink

D467,153 S * 12/2002 Edwards D8/82

D528,305 S * 9/2006 Langer D4/116

D566,969 S 4/2008 Sherman

D630,437 S * 1/2011 Carey D4/116

7,866,758 B2 1/2011 Jang

8,060,971 B1 * 11/2011 Castelluccio A46B 5/0091
15/160

8,104,132 B2 1/2012 Mink

D663,836 S * 7/2012 Ruiz, Sr. D24/133

D663,957 S * 7/2012 Garcia D4/135

8,230,543 B2 7/2012 Shrier

8,256,058 B2 * 9/2012 Telwar A46B 3/08
15/160

D679,506 S 4/2013 Hile

D690,462 S * 9/2013 Holloway D28/7

D714,558 S * 10/2014 Mink D4/135

9,089,200 B2 * 7/2015 Telwar A46B 3/08

9,320,349 B2 * 4/2016 Hwang A46B 9/021

D757,442 S * 5/2016 Waitesmith D4/127

D766,587 S * 9/2016 Hwang D4/127

D776,939 S * 1/2017 Krohmer D4/133

D778,067 S * 2/2017 Jain D4/135

D778,621 S * 2/2017 Jain D4/135

D779,213 S * 2/2017 Jain D4/135

D781,592 S * 3/2017 Kaicker D4/127

D781,593 S * 3/2017 Kaicker D4/128

D787,192 S * 5/2017 Hwang D4/127

D798,604 S * 10/2017 Hwang D4/127

2002/0124336 A1 9/2002 Henrie

2004/0168700 A1 9/2004 Dorf

2004/0205916 A1 * 10/2004 Byun A45D 33/18
15/143.1

2007/0151061 A1 * 7/2007 Mink A46B 9/021
15/160

2007/0177930 A1 * 8/2007 Byun A45D 33/02
401/280

2008/0283083 A1 * 11/2008 Piao A45C 11/008
132/317

2009/0183328 A1 * 7/2009 King A46B 5/0062
15/143.1

2010/0095973 A1 * 4/2010 Shrier A46B 7/04
132/200

2010/0101035 A1 * 4/2010 Nakamura A46B 9/021
15/160

2011/0108444 A1 * 5/2011 Shaughness A46B 17/04
206/361

2013/0014338 A1 * 1/2013 Park A46B 9/021
15/176.6

2014/0166041 A1 * 6/2014 King A46B 9/021
132/320

2015/0265039 A1 * 9/2015 Godin A46B 9/021
15/207.2

2016/0262528 A1 * 9/2016 Telwar A46B 3/10

2016/0324306 A1 * 11/2016 Martin A46B 13/02

* cited by examiner

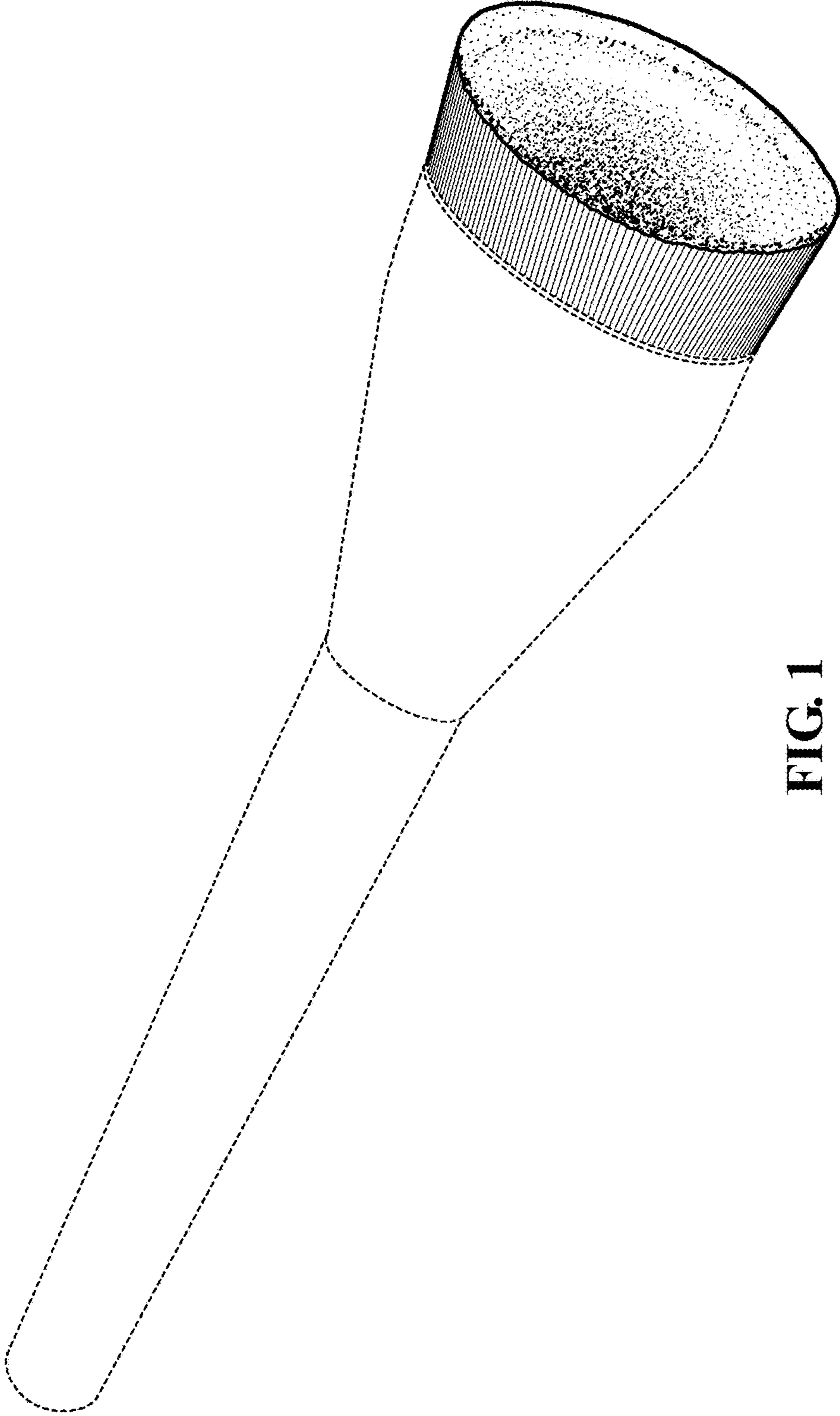


FIG. 1

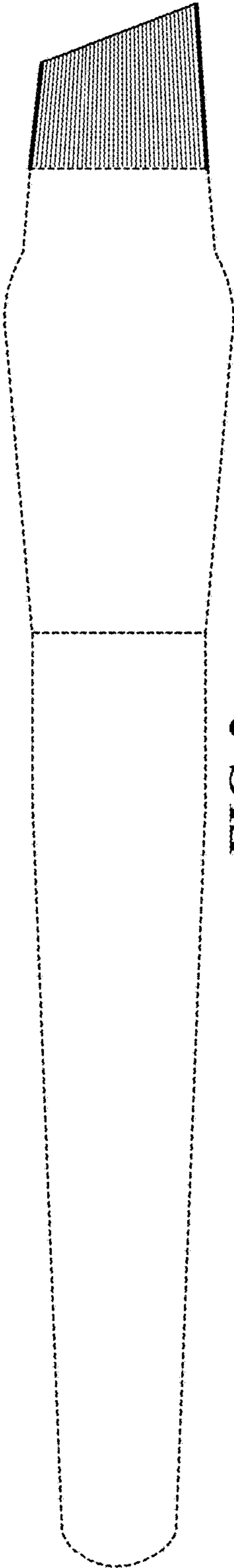


FIG. 2

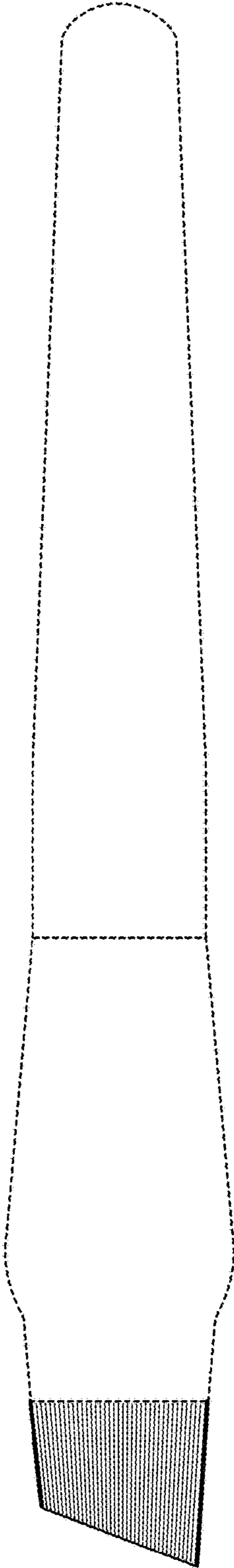


FIG. 3

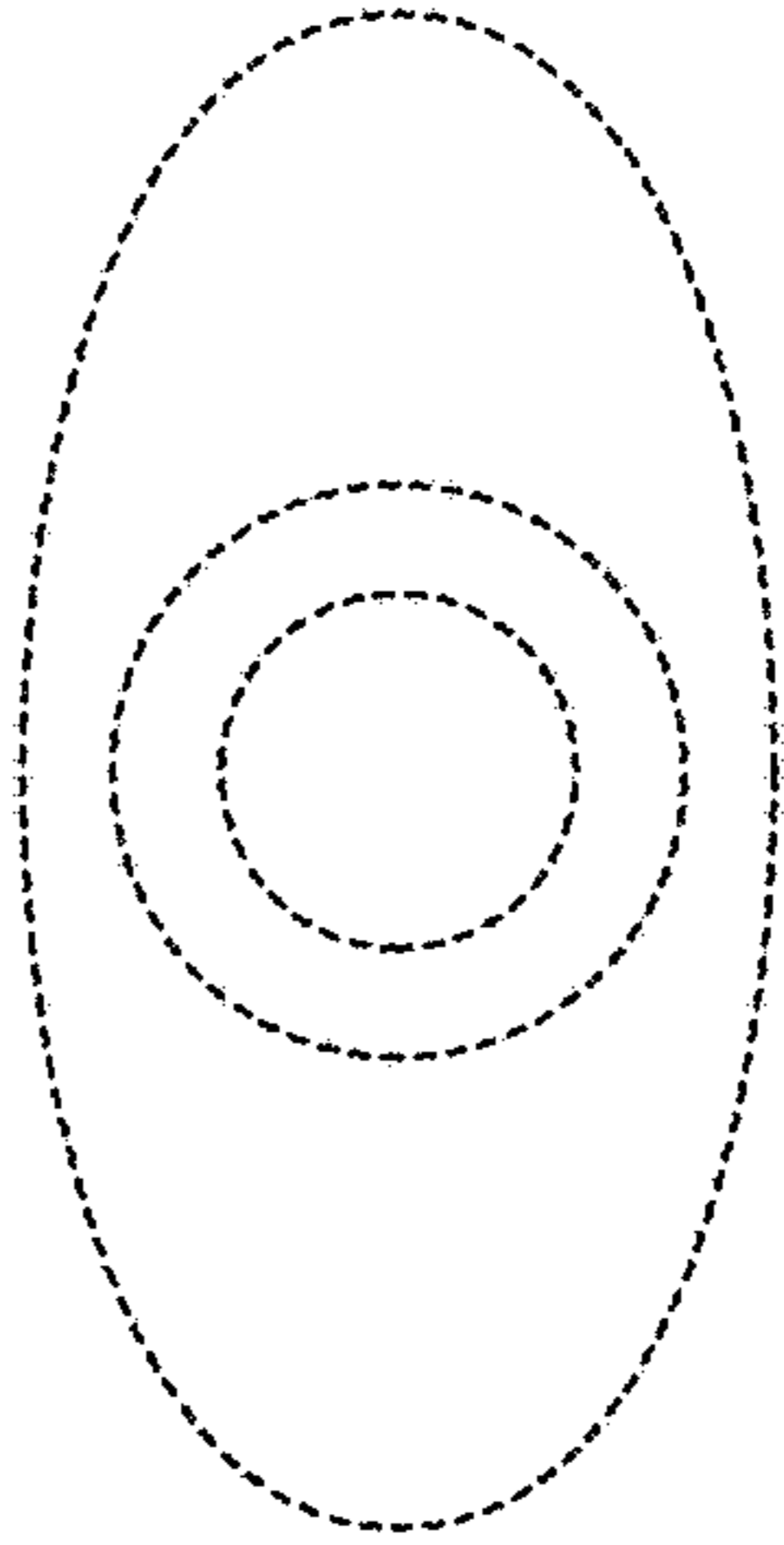


FIG. 4

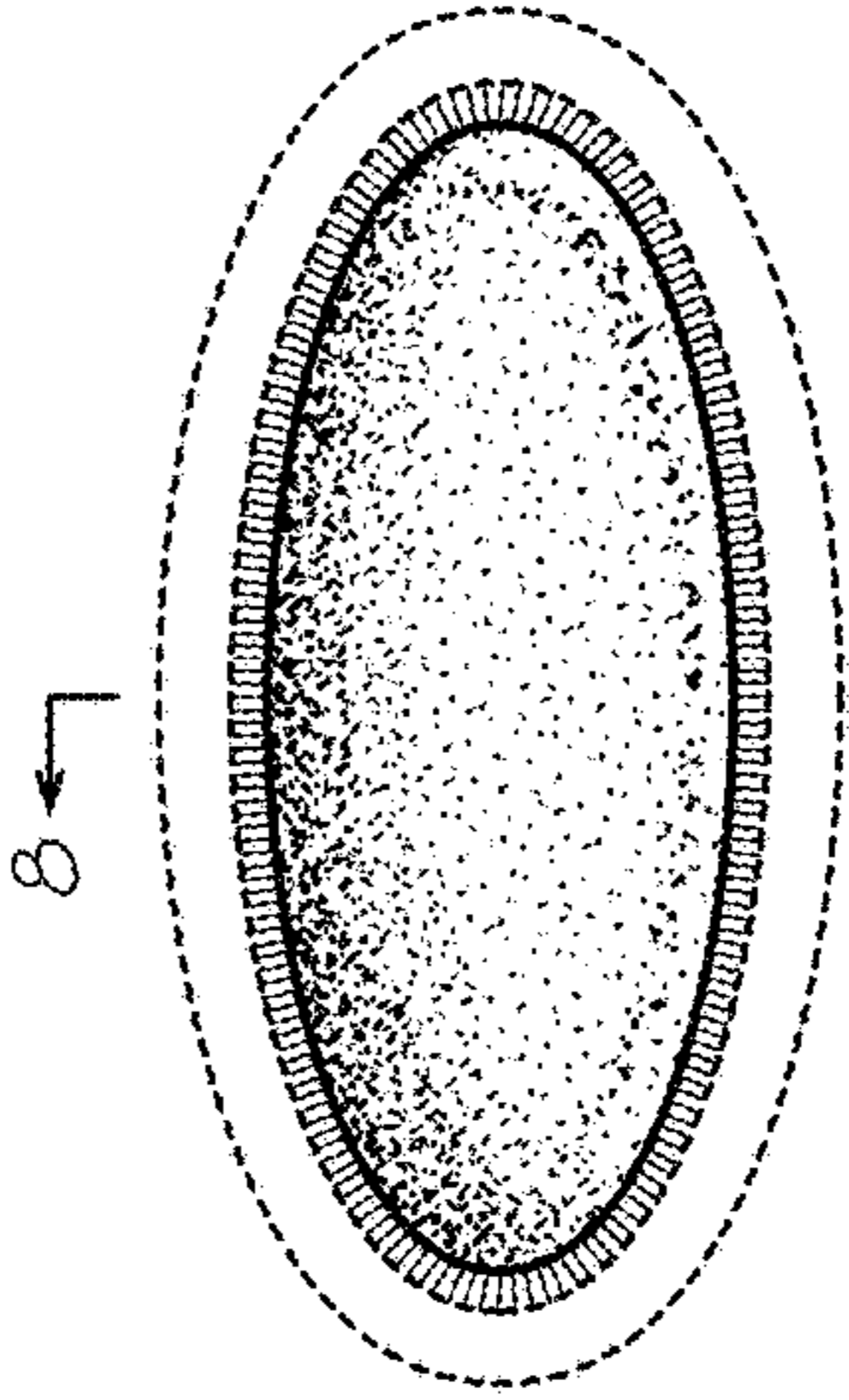


FIG. 5

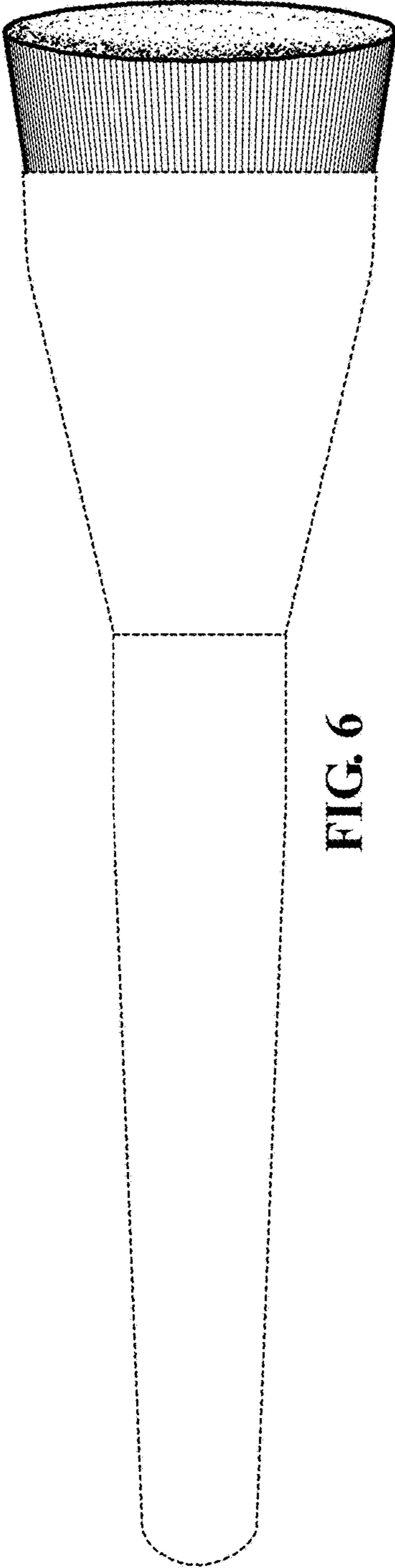


FIG. 6

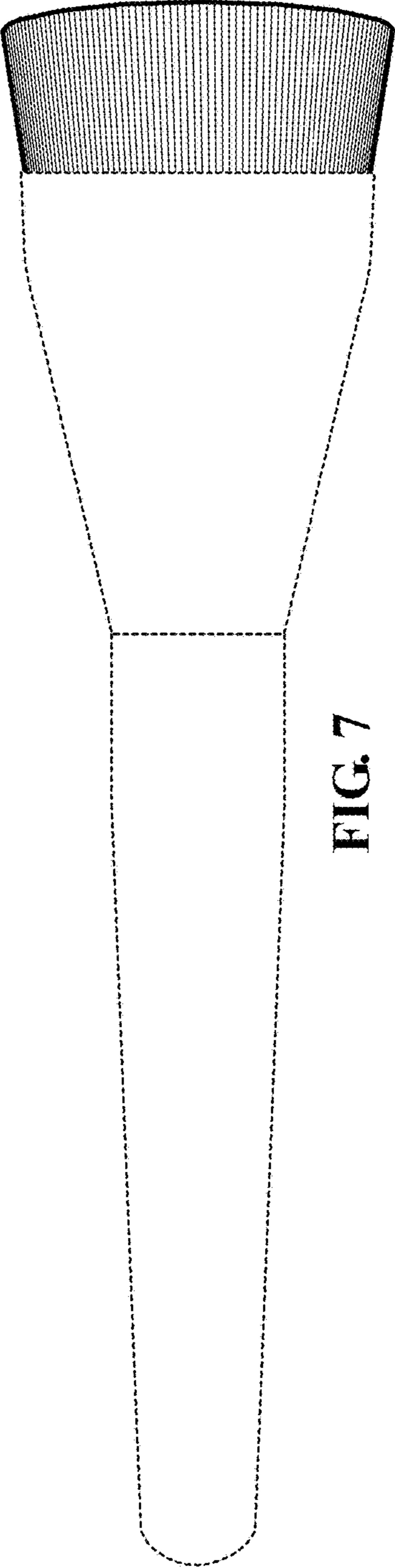


FIG. 7

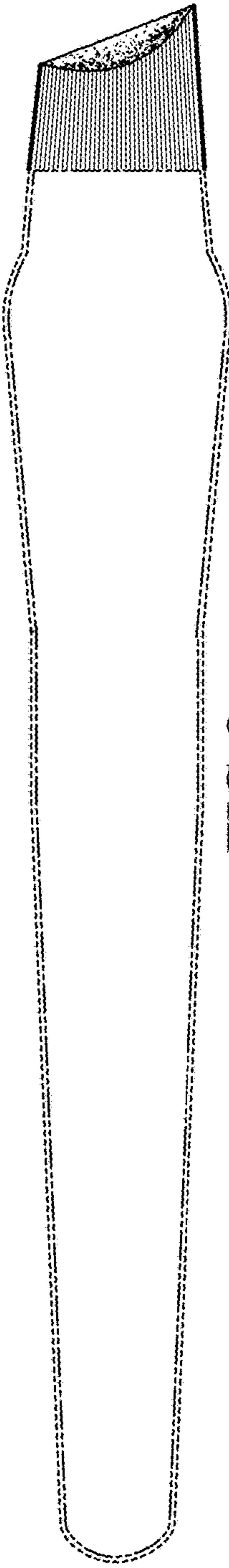


FIG. 8