



US00D817543S

(12) **United States Design Patent**  
**Liu**

(10) **Patent No.:** **US D817,543 S**  
(45) **Date of Patent:** **\*\* May 8, 2018**

(54) **ATOMIZER OF ELECTRONIC CIGARETTE**

(71) Applicant: **Tuanfang Liu, Ji'an (CN)**

(72) Inventor: **Tuanfang Liu, Ji'an (CN)**

(\*\*) Term: **15 Years**

(21) Appl. No.: **29/582,743**

(22) Filed: **Oct. 30, 2016**

(30) **Foreign Application Priority Data**

Aug. 1, 2016 (CN) ..... 2016 3 0361290

(51) **LOC (11) Cl.** ..... **27-02**

(52) **U.S. Cl.**  
USPC ..... **D27/167**

(58) **Field of Classification Search**  
USPC ..... D27/167, 162, 163, 165, 169, 101, 100,  
D27/110, 106, 108, 139, 141, 142, 170,  
D27/172, 174, 175, 183, 186-190, 193,  
D27/194, 195; 131/270, 273, 274, 191,  
131/329, 330  
CPC .... A24F 47/002; A24F 47/004; A24F 47/006;  
A24F 47/008; A61M 15/06  
See application file for complete search history.

(56) **References Cited**

**U.S. PATENT DOCUMENTS**

D653,803 S \* 2/2012 Timmermans ..... D27/163  
D655,036 S \* 2/2012 Zhou ..... D27/101  
D720,881 S \* 1/2015 Liu ..... D27/101  
D721,202 S \* 1/2015 Liu ..... D27/101  
D725,310 S \* 3/2015 Eksouzian ..... D27/101  
D727,562 S \* 4/2015 Li ..... D27/101

D760,948 S \* 7/2016 Eksouzian ..... D27/101  
D765,907 S \* 9/2016 Liu ..... D27/101  
D776,869 S \* 1/2017 Heidl ..... D27/163  
D784,610 S \* 4/2017 Bosch ..... D27/101  
2014/0182610 A1\* 7/2014 Liu ..... A24F 47/008  
131/329  
2015/0296884 A1\* 10/2015 Liu ..... A24F 47/008  
131/329  
2016/0345626 A1\* 12/2016 Wong ..... A24F 47/008  
2017/0006923 A1\* 1/2017 Li ..... A24F 47/008  
2017/0013881 A1\* 1/2017 Liu ..... A24F 47/008

\* cited by examiner

*Primary Examiner* — Susan Bennett Hattan  
*Assistant Examiner* — Rebecca Tsehaye  
(74) *Attorney, Agent, or Firm* — Matthias Scholl, PC;  
Matthias Scholl

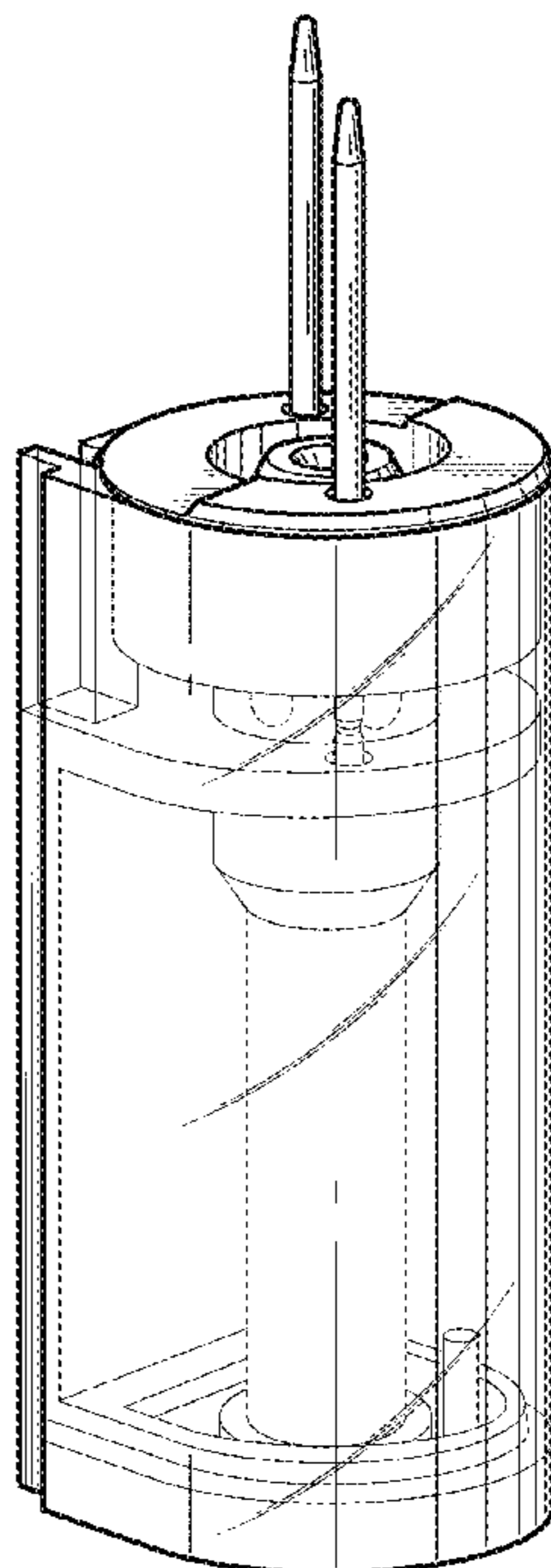
(57) **CLAIM**

The ornamental design for an atomizer of electronic cigarette, as shown and described.

**DESCRIPTION**

FIG. 1 is a front elevational view of an atomizer of electronic cigarette;  
FIG. 2 is a rear elevational view thereof;  
FIG. 3 is a left side elevational view thereof;  
FIG. 4 is a right side elevational view thereof;  
FIG. 5 is a top plan view thereof;  
FIG. 6 is a bottom plan view thereof;  
FIG. 7 is a perspective view thereof; and,  
FIG. 8 is a bottom perspective view thereof.  
The broken line showing in the figures is included for the purpose of illustrating portions of the atomizer of electronic cigarette and forms no part of the claimed design.

**1 Claim, 8 Drawing Sheets**



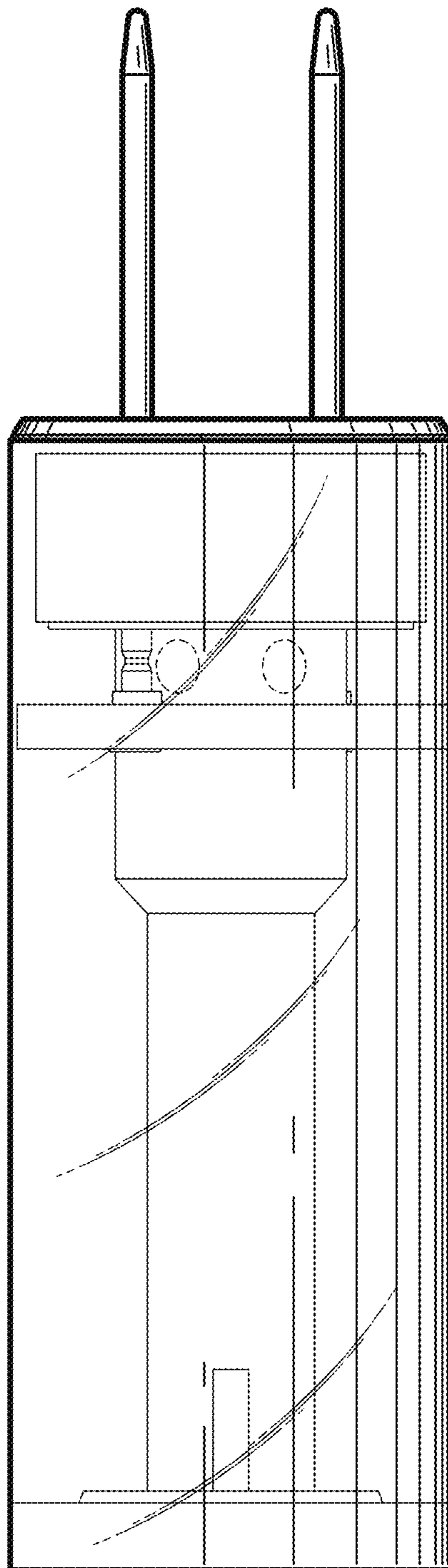


FIG. 1

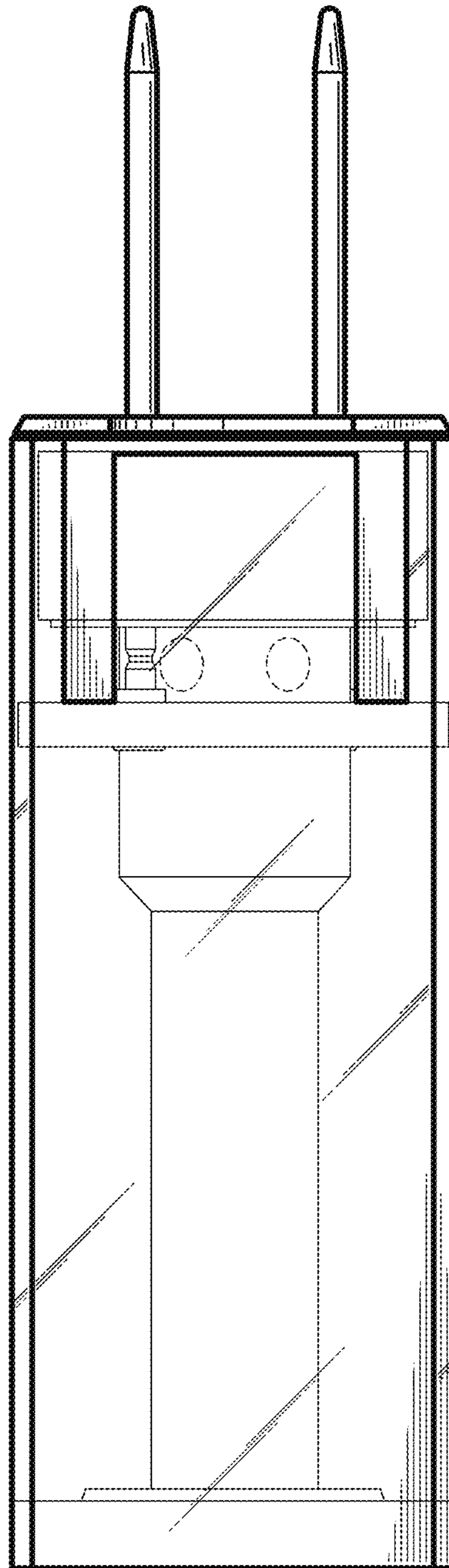


FIG. 2

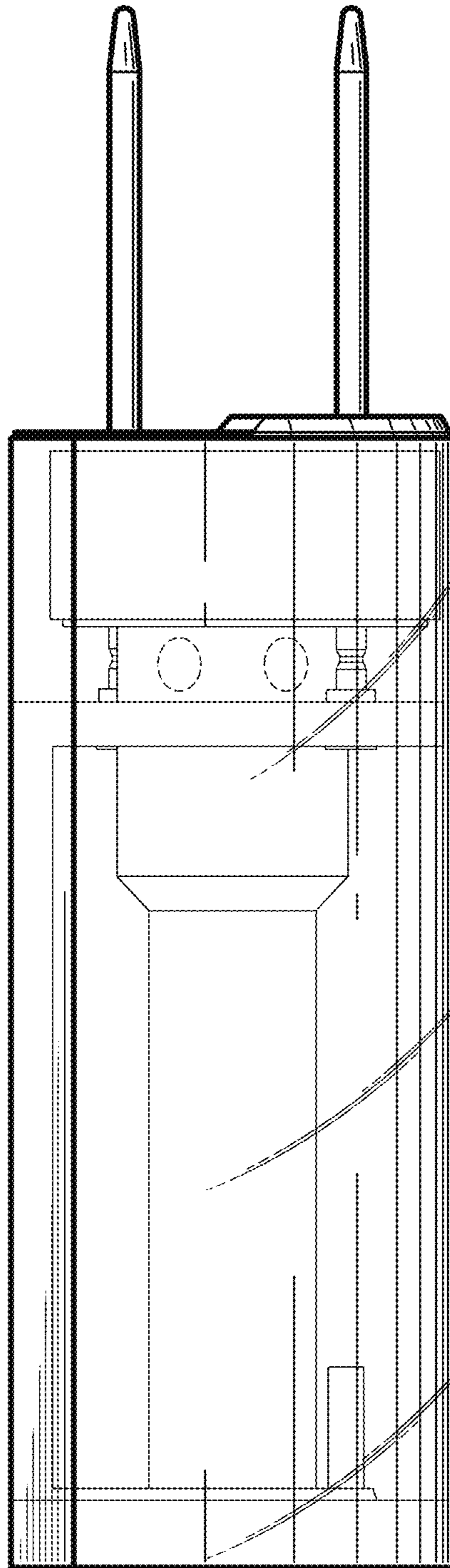


FIG. 3

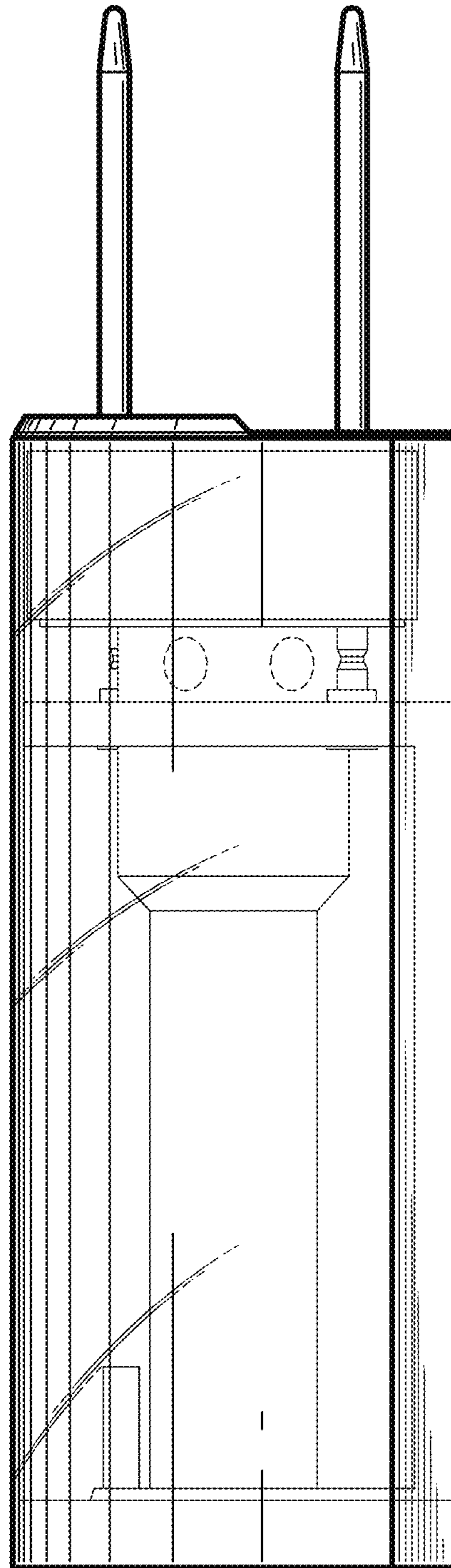


FIG. 4

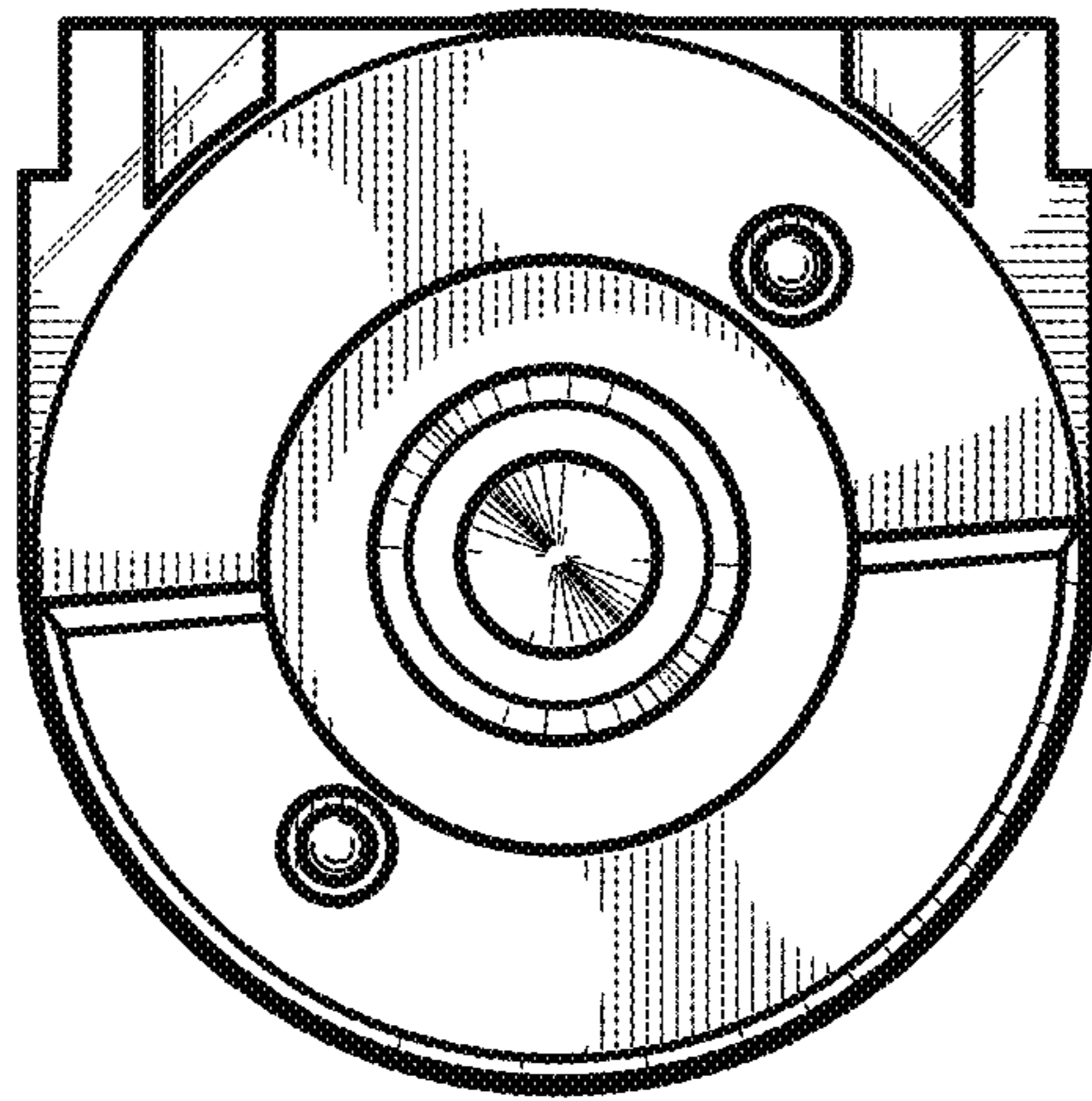


FIG. 5

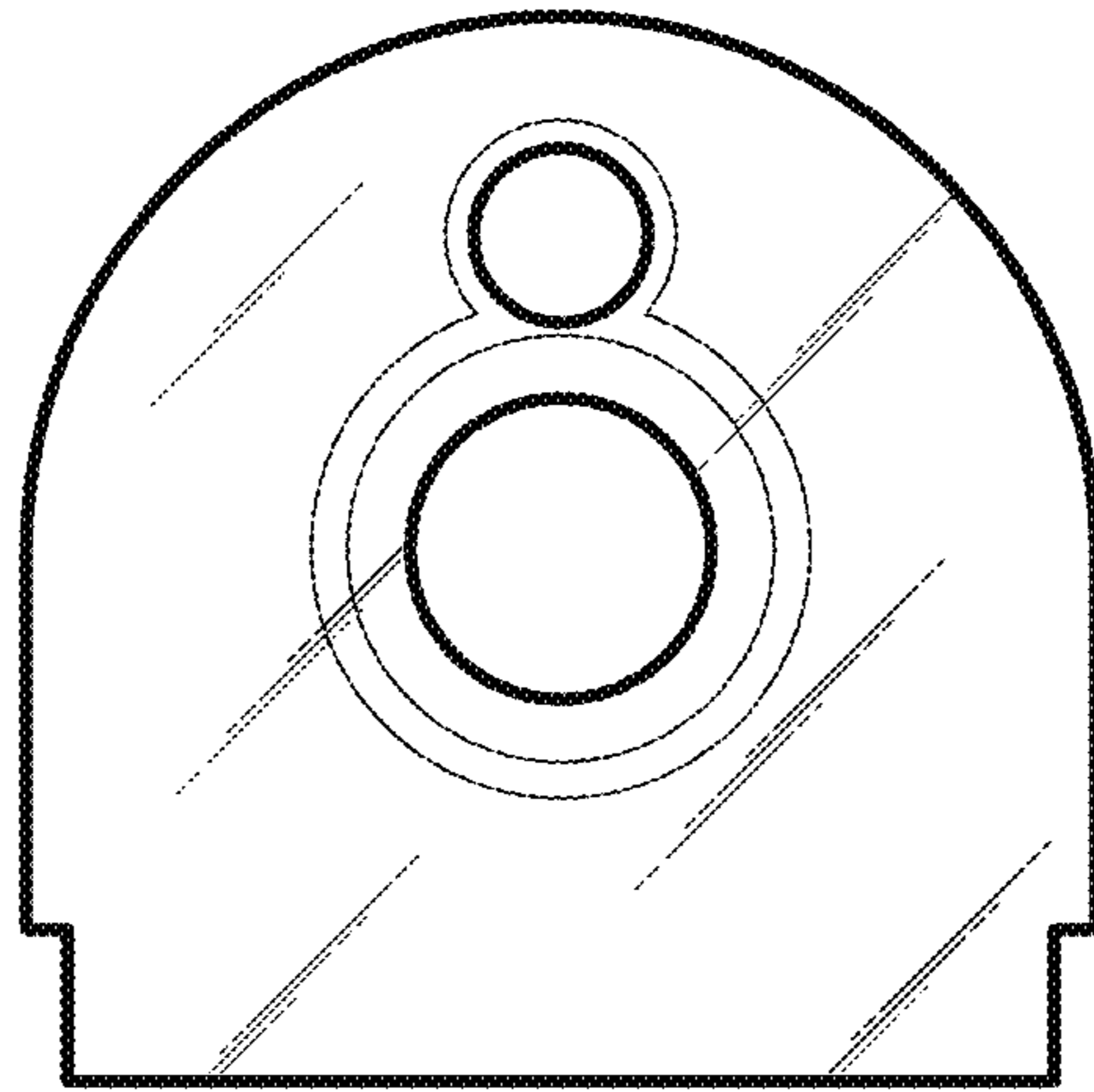


FIG. 6

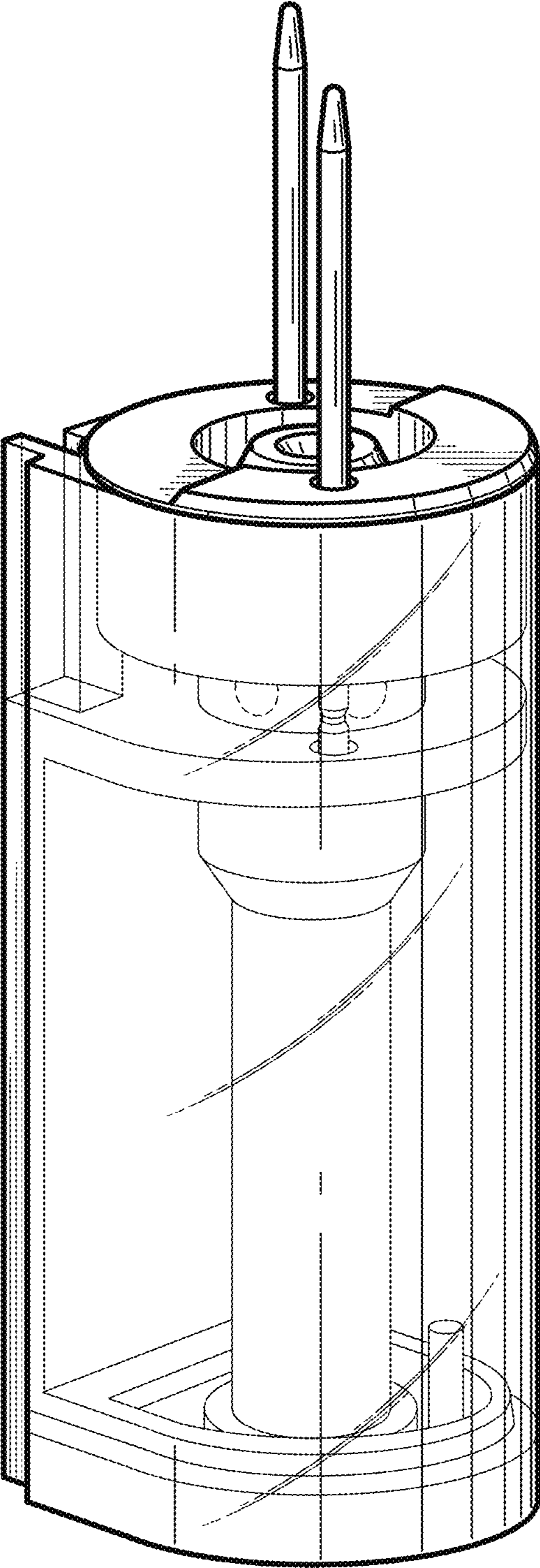


FIG. 7



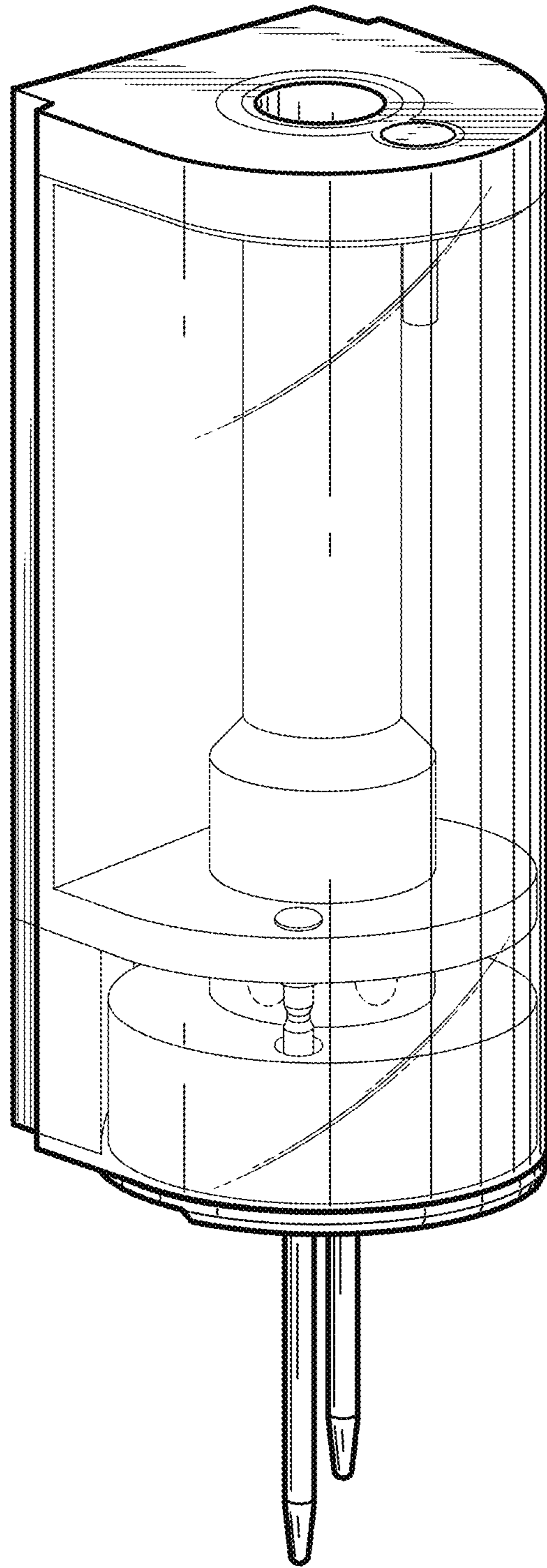


FIG. 8