



US00D817542S

(12) **United States Design Patent** (10) **Patent No.:** **US D817,542 S**
Huff (45) **Date of Patent:** **** May 8, 2018**

(54) **CIGARETTE LIGHTER**
(71) Applicant: **Terry G. Huff**, Tulsa, OK (US)
(72) Inventor: **Terry G. Huff**, Tulsa, OK (US)
(73) Assignee: **Terry G. Huff**, Tahlequah, OK (US)
(**) Term: **15 Years**
(21) Appl. No.: **29/591,771**
(22) Filed: **Jan. 24, 2017**
(51) **LOC (11) Cl.** **27-05**
(52) **U.S. Cl.**
USPC **D27/141**
(58) **Field of Classification Search**
USPC D27/100, 101, 162-170, 172-195, 139,
D27/141, 142, 143, 144, 152, 154, 158,
D27/160, 161
CPC A24F 1/30; A24F 13/26
See application file for complete search history.

D629,154 S * 12/2010 Sung D27/154
D677,000 S * 2/2013 Liu D27/189
D677,001 S * 2/2013 Liu D27/189
D681,268 S * 4/2013 Wu D27/189
D683,899 S * 6/2013 Liu D13/108
D736,455 S * 8/2015 Liu D27/189
D745,213 S * 12/2015 Alima D27/143
D752,282 S * 3/2016 Doster D27/189
D752,283 S * 3/2016 Doster D27/189
D752,285 S * 3/2016 Doster D27/189
D765,908 S * 9/2016 Zahr D27/187
D768,918 S * 10/2016 Ward D27/167
D770,091 S * 10/2016 Zahr D27/187
D771,867 S * 11/2016 Leidel D27/163
D783,895 S * 4/2017 Chen D27/163

* cited by examiner

Primary Examiner — Brandon M Rosati
Assistant Examiner — Marissa J Cash

(57) **CLAIM**

The ornamental design for a cigarette lighter, as shown and described.

(56) **References Cited**

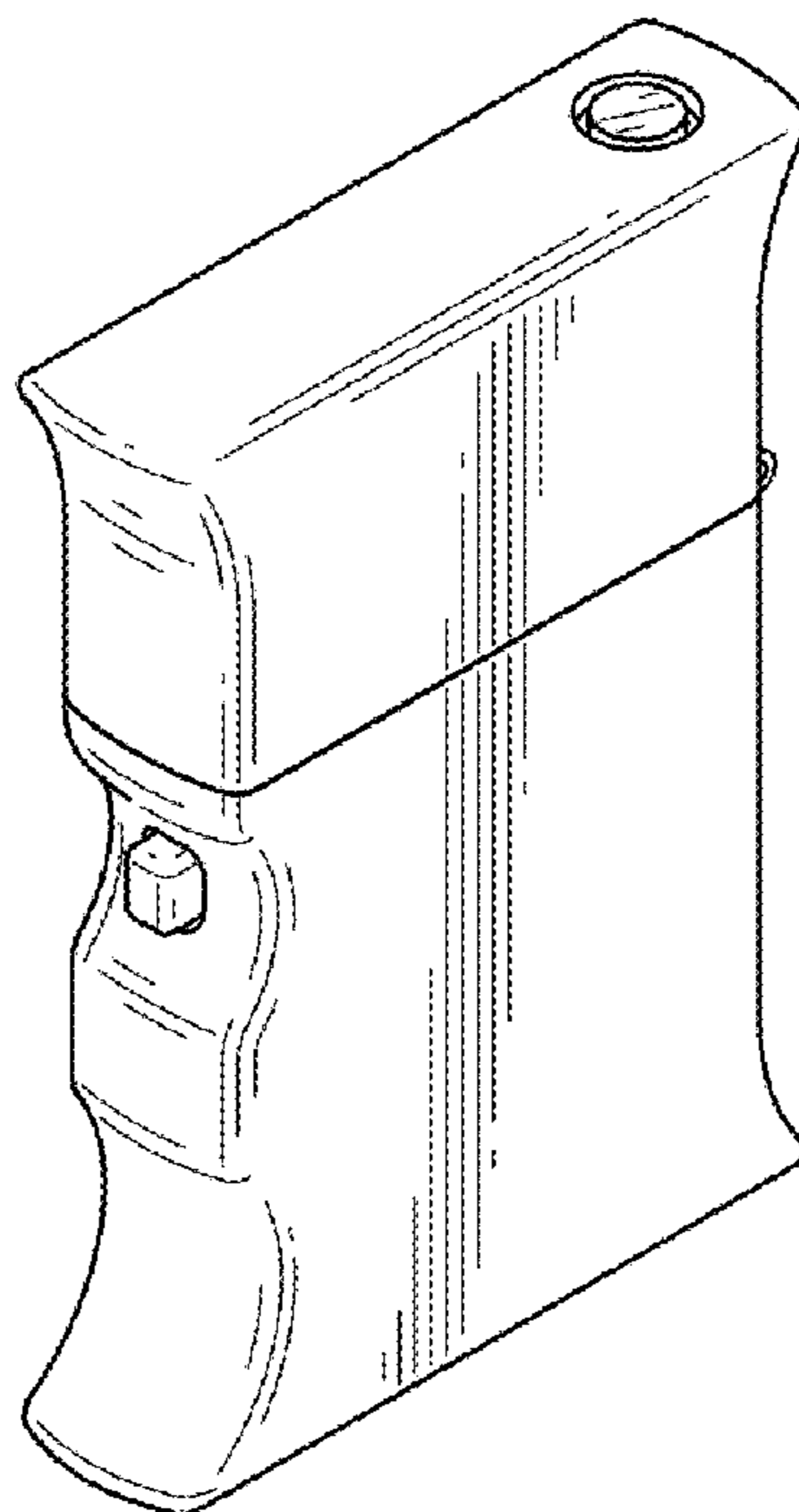
U.S. PATENT DOCUMENTS

D164,352 S * 8/1951 Bowers D27/160
D360,281 S * 7/1995 Kim D27/141
D401,012 S * 11/1998 Montoya D27/187
D548,395 S * 8/2007 Luo D27/154
D548,397 S * 8/2007 Luo D27/158
D553,290 S * 10/2007 Smith D27/143
D556,375 S * 11/2007 Smith D27/143
D556,376 S * 11/2007 Smith D27/143
D605,350 S * 12/2009 Smith D27/154
D617,042 S * 6/2010 Wong D27/139

DESCRIPTION

FIG. 1 is a front perspective view;
FIG. 2 is a rear perspective view;
FIG. 3 is a front plan view;
FIG. 4 is a left side plan view (right side is a mirror image of left side);
FIG. 5 is a rear plan view;
FIG. 6 is a top plan view; and,
FIG. 7 is a bottom plan view.

1 Claim, 2 Drawing Sheets



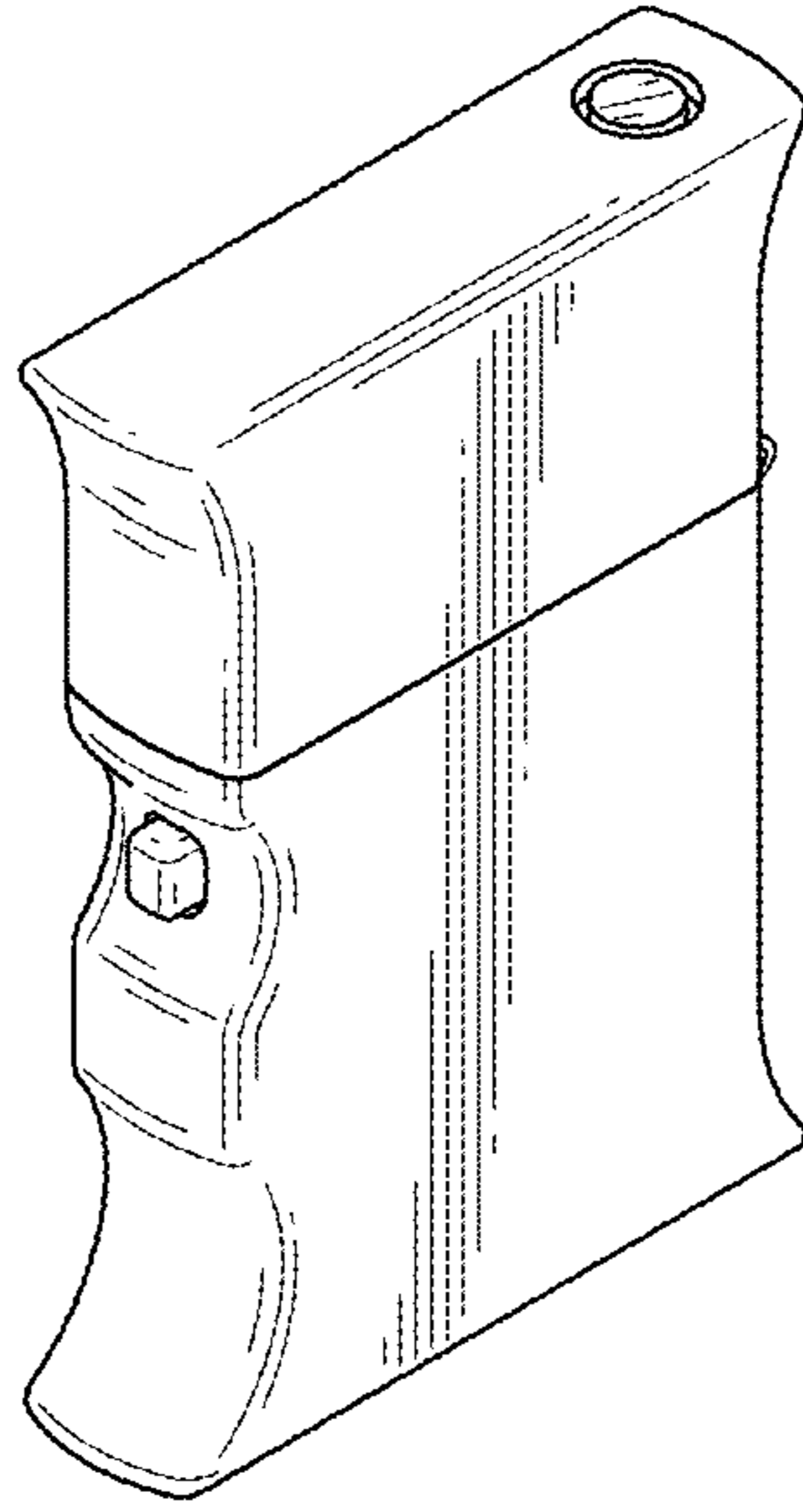


FIG. 1

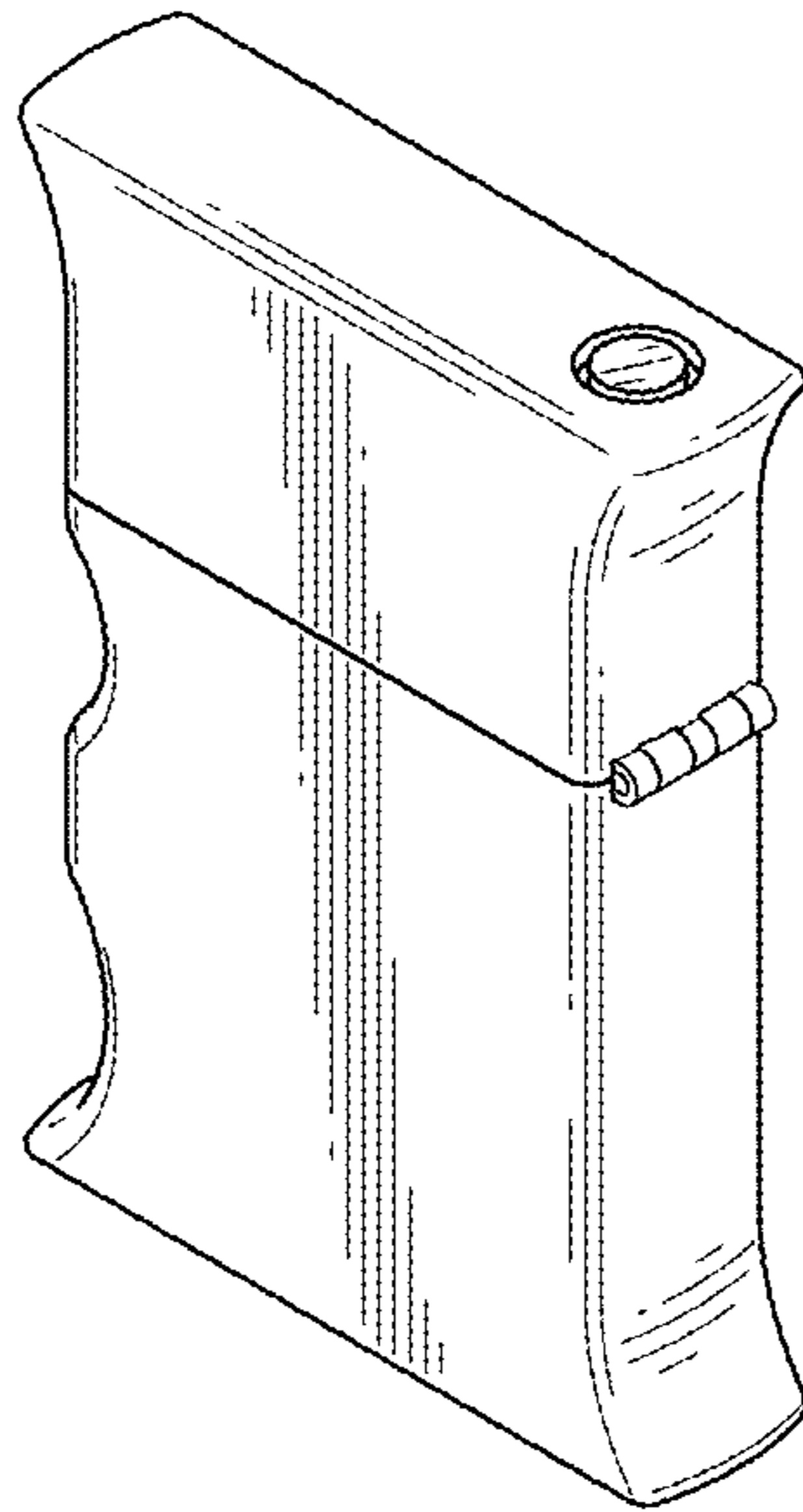


FIG. 2

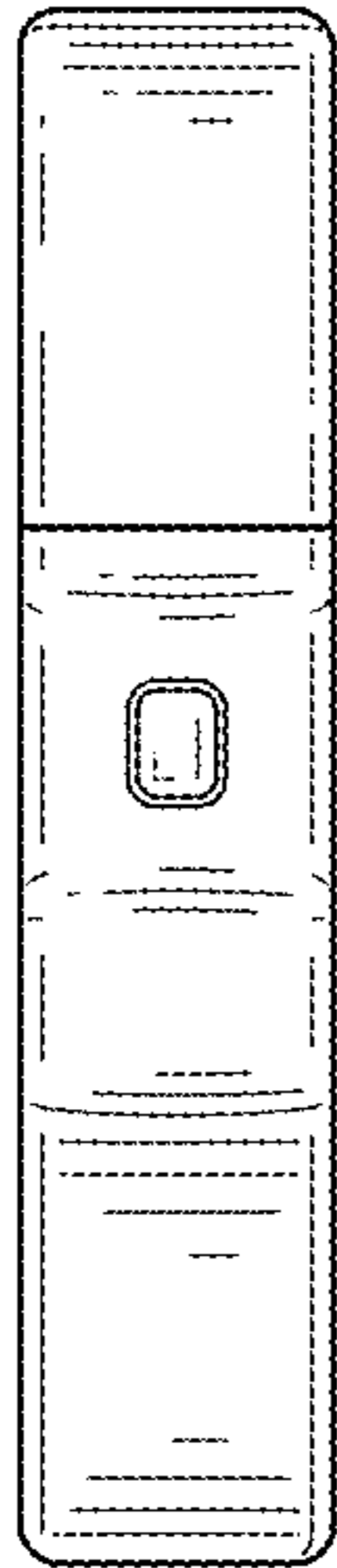


FIG. 3

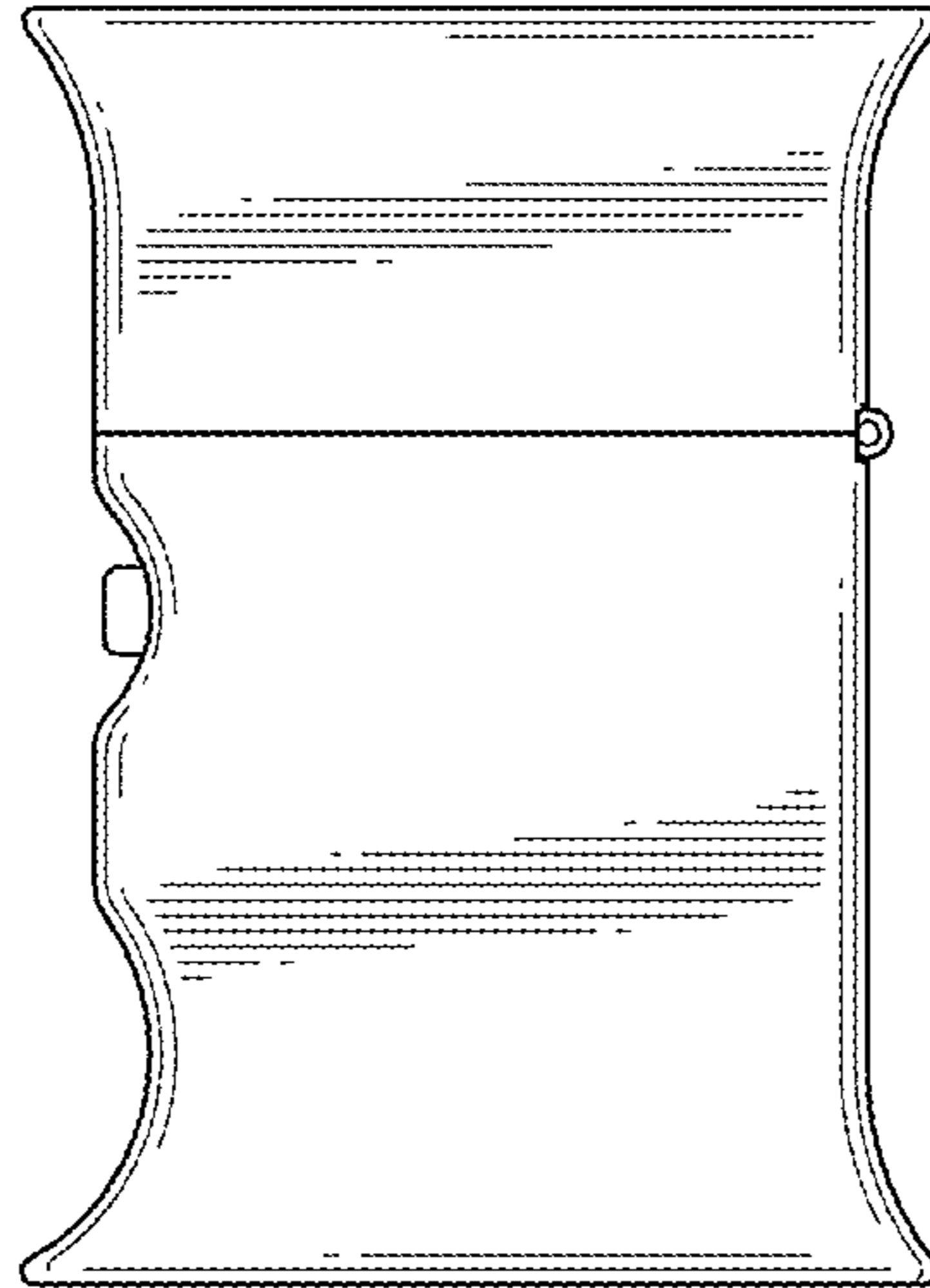


FIG. 4



FIG. 5



FIG. 6

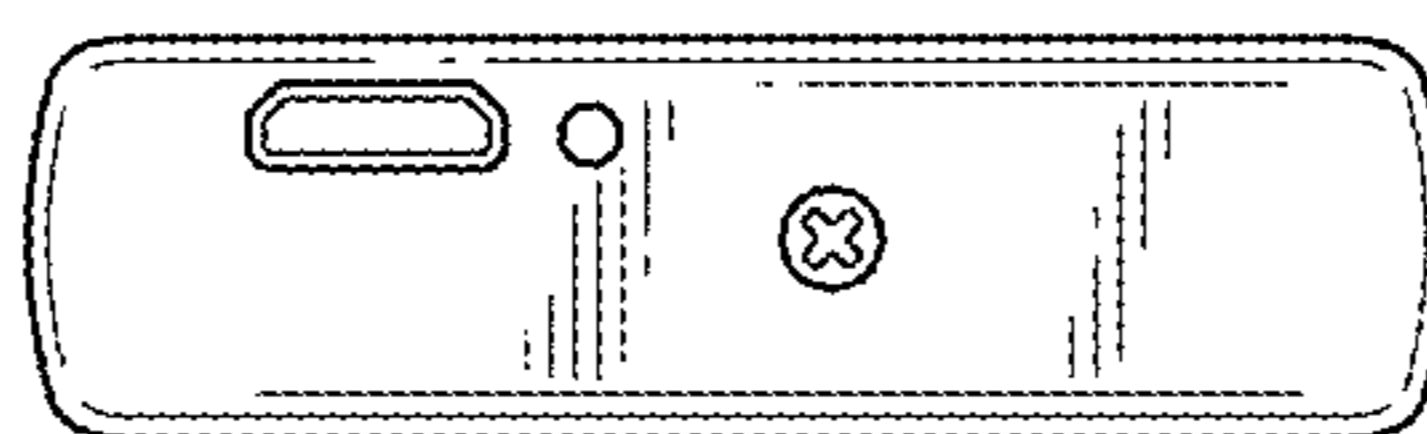


FIG. 7