



US00D817541S

(12) **United States Design Patent** (10) **Patent No.:** **US D817,541 S**
Goel (45) **Date of Patent:** **** May 8, 2018**

(54) **SMOKE COOLING DEVICE**
(71) Applicant: **Nimesh M. Goel**, Anaheim, CA (US)
(72) Inventor: **Nimesh M. Goel**, Anaheim, CA (US)
(73) Assignee: **Nimesh M. Goel**, San Diego, CA (US)
(**) Term: **15 Years**
(21) Appl. No.: **29/576,195**
(22) Filed: **Sep. 1, 2016**
(51) **LOC (11) Cl.** **27-03**
(52) **U.S. Cl.**
USPC **D27/102**
(58) **Field of Classification Search**
USPC D27/162-169, 102; D23/314, 325,
D23/333-336, 355-367, 386-388
CPC A24F 1/00; A24F 1/02; A24F 1/04; A24F
1/06; A24F 1/08; A24F 1/10; A24F 1/14;
A24F 1/16; A24F 1/22; A24F 1/24; A24F
1/28; A24F 1/30; A24F 1/32
See application file for complete search history.

D749,779 S * 2/2016 Ahmad D27/162
D757,356 S * 5/2016 Liu D27/162
2015/0107607 A1* 4/2015 Mehio A24F 5/00
131/226

OTHER PUBLICATIONS

Smoke Cooling Device | KashIt Cool | Amazon, post date Apr. 7, 2015, © 1996-2017 amazon.com, [online], [site visited Jul. 23, 2017] available at <https://www.amazon.com/KashIt-Cool/dp/B00KUH0900?th=1>.
Smoke Cooling Device | ChillHit | Shopify, post date n/a, © 2017 chillhit, [online], [site visited Jul. 23, 2017] available at <https://chillhit.myshopify.com/>.

* cited by examiner

Primary Examiner — Sheryl Lane
Assistant Examiner — Jennifer M Campbell

(57) **CLAIM**

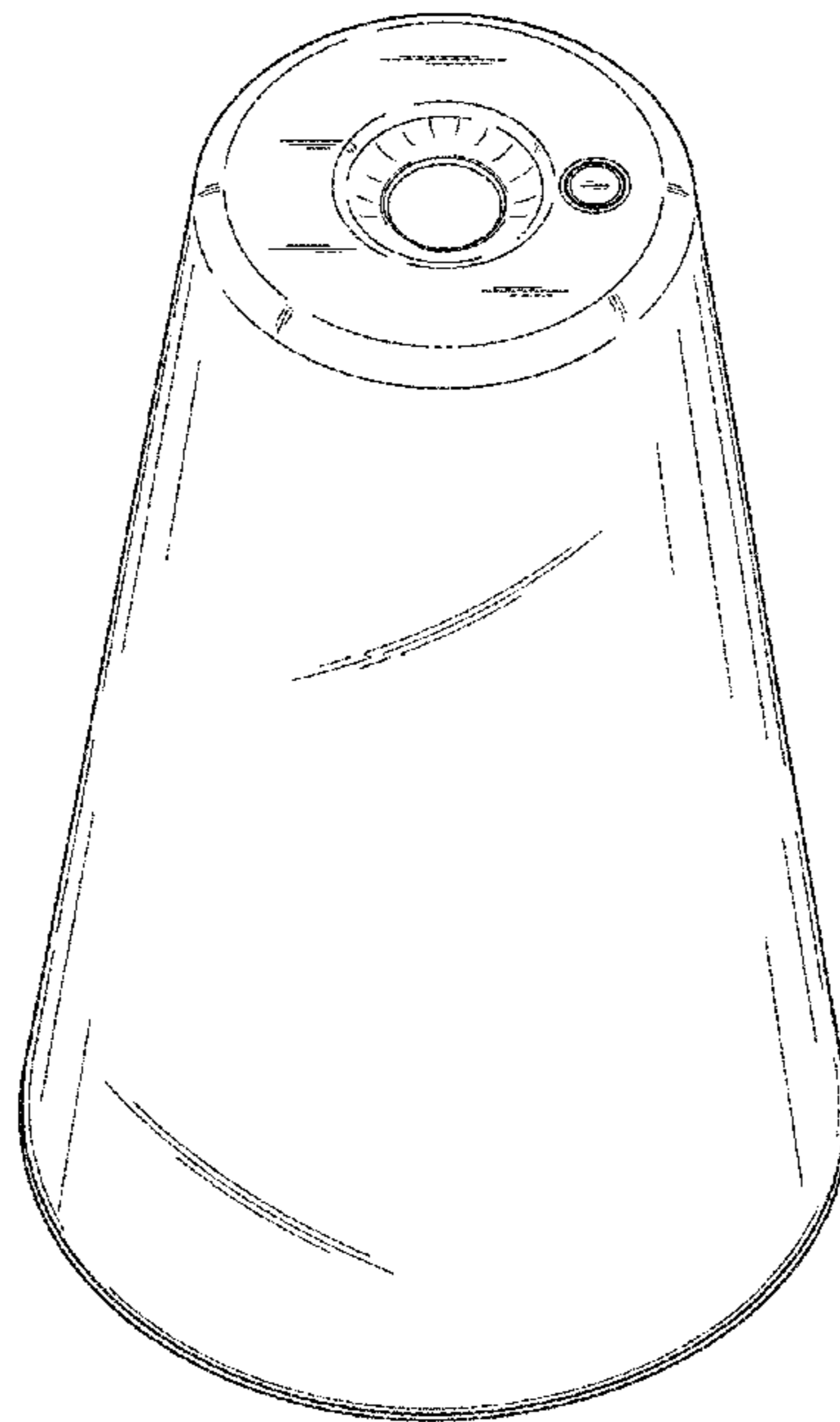
The ornamental design for a smoke cooling device, as shown and described.

DESCRIPTION

FIG. 1 is a Top Perspective of a smoke cooling device for my new design;
FIG. 2 is a Bottom Perspective thereof;
FIG. 3 is a Front View thereof;
FIG. 4 is a Rear View thereof;
FIG. 5 is a Left View thereof;
FIG. 6 is a Right View thereof;
FIG. 7 is a Top View thereof;
FIG. 8 is a Bottom View thereof; and,
FIG. 9 is a Cross Sectional View taken along line 9-9 shown in FIG. 3.

1 Claim, 9 Drawing Sheets

(56) **References Cited**
U.S. PATENT DOCUMENTS
1,013,775 A * 1/1912 Hoffman A47G 29/06
220/503
D247,255 S * 2/1978 Frost D27/162
D417,326 S * 11/1999 Greene D32/53
D454,656 S * 3/2002 Berset D27/102
D496,753 S * 9/2004 Thornell D27/105
D522,688 S * 6/2006 Goldberg D27/123
D614,804 S * 4/2010 Davis D27/102
D686,775 S * 7/2013 Mehio D27/162
D731,113 S * 6/2015 Wu D27/101
D731,705 S * 6/2015 Nadeem D27/162



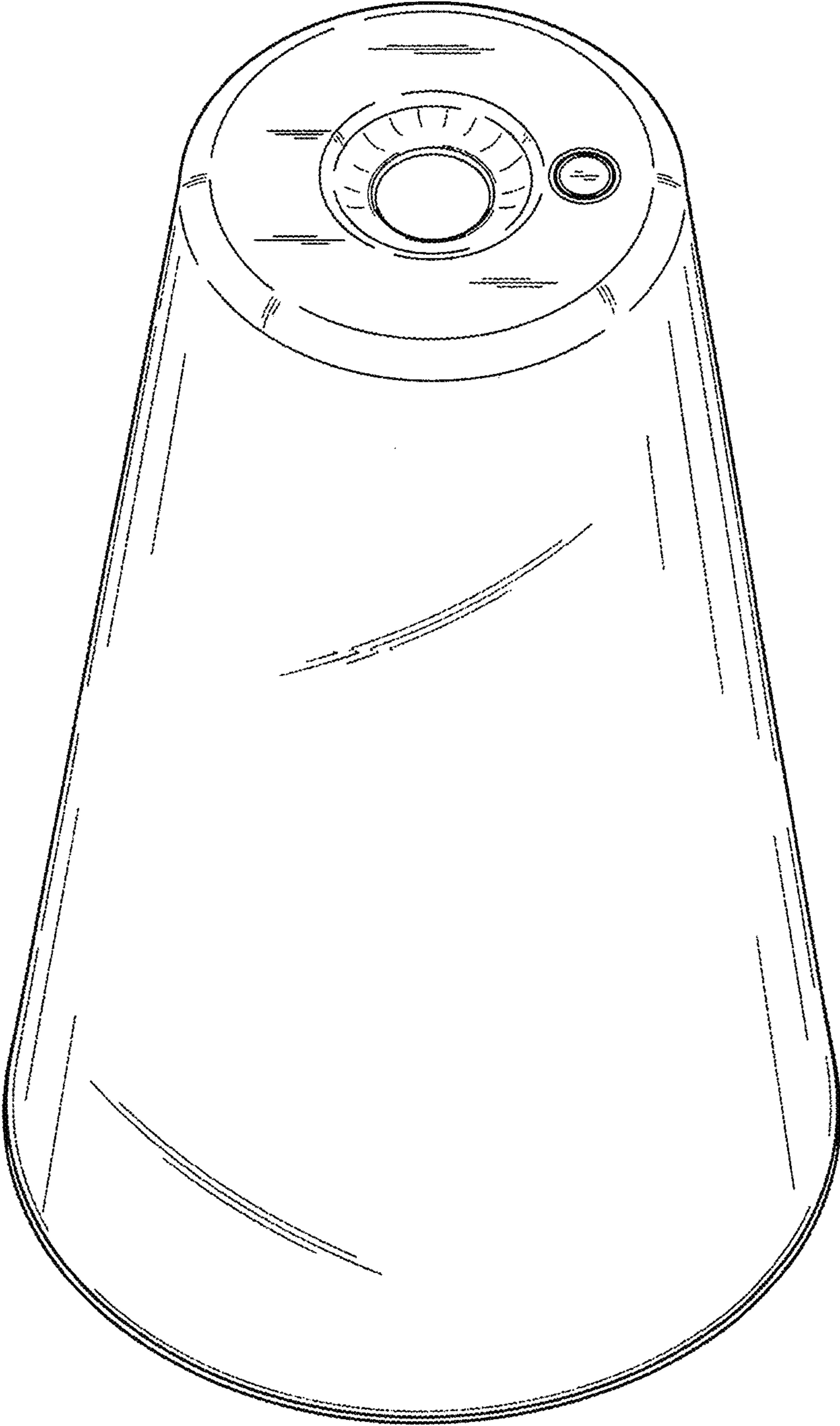


FIG. 1

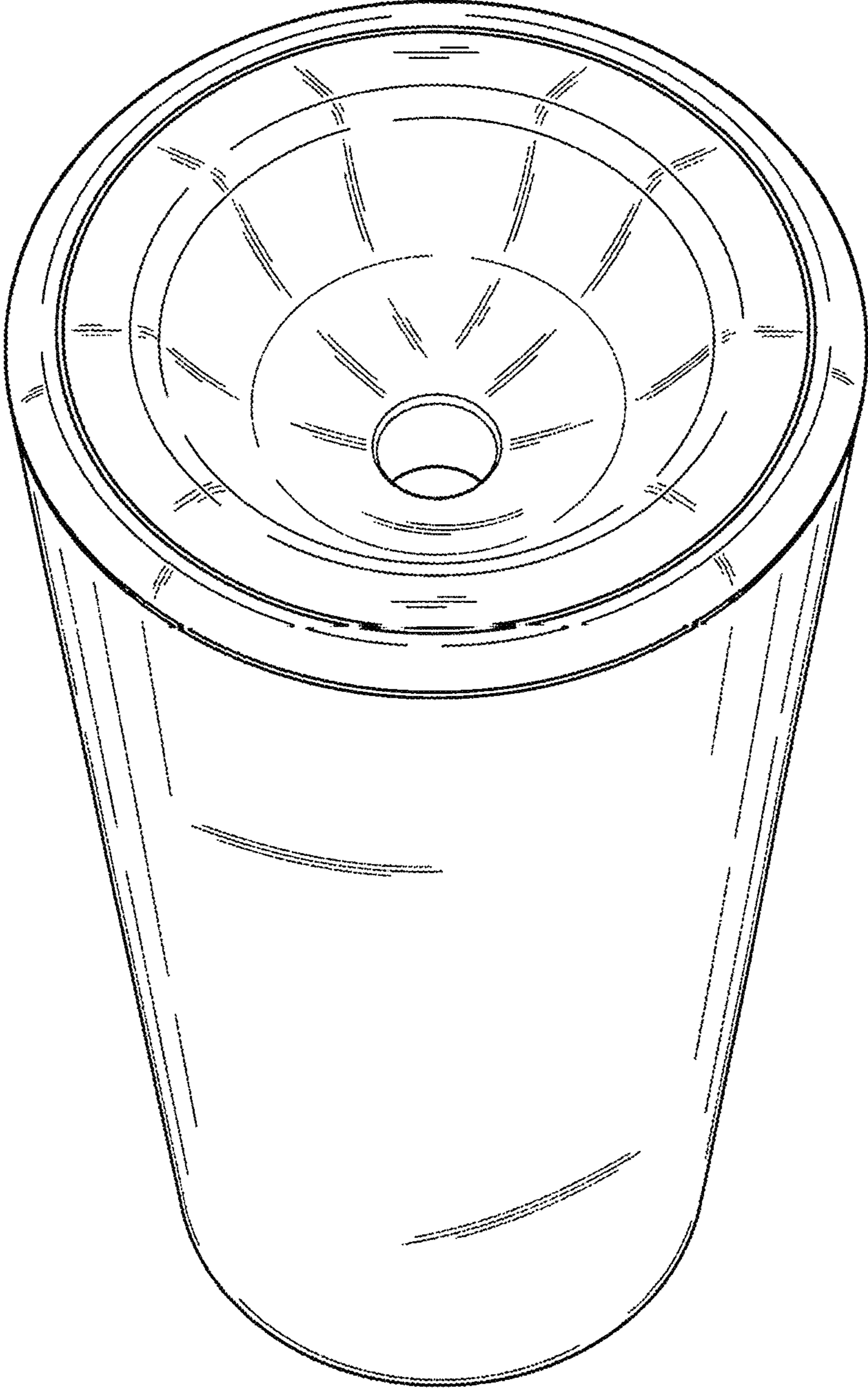


FIG. 2

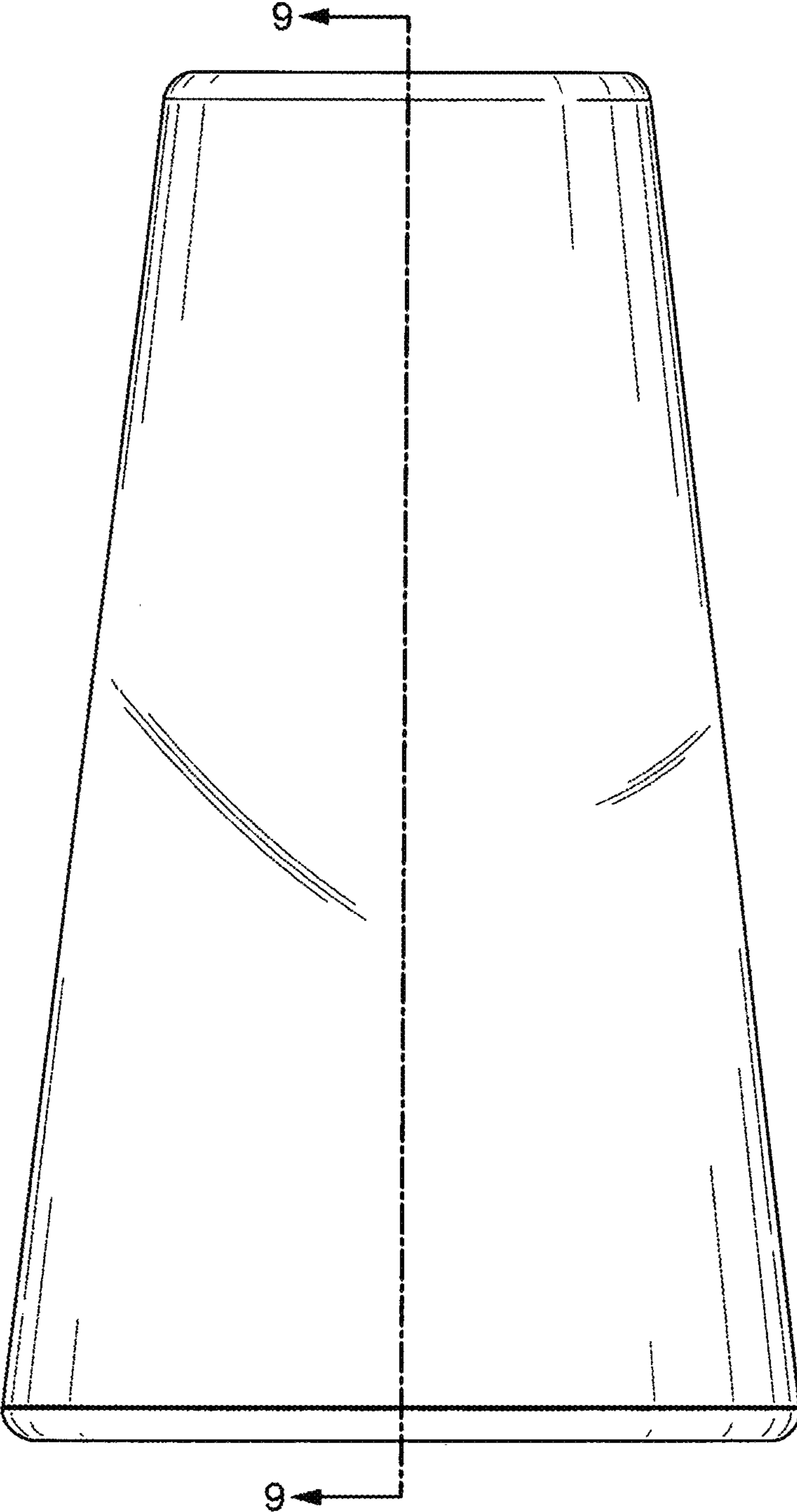


FIG. 3

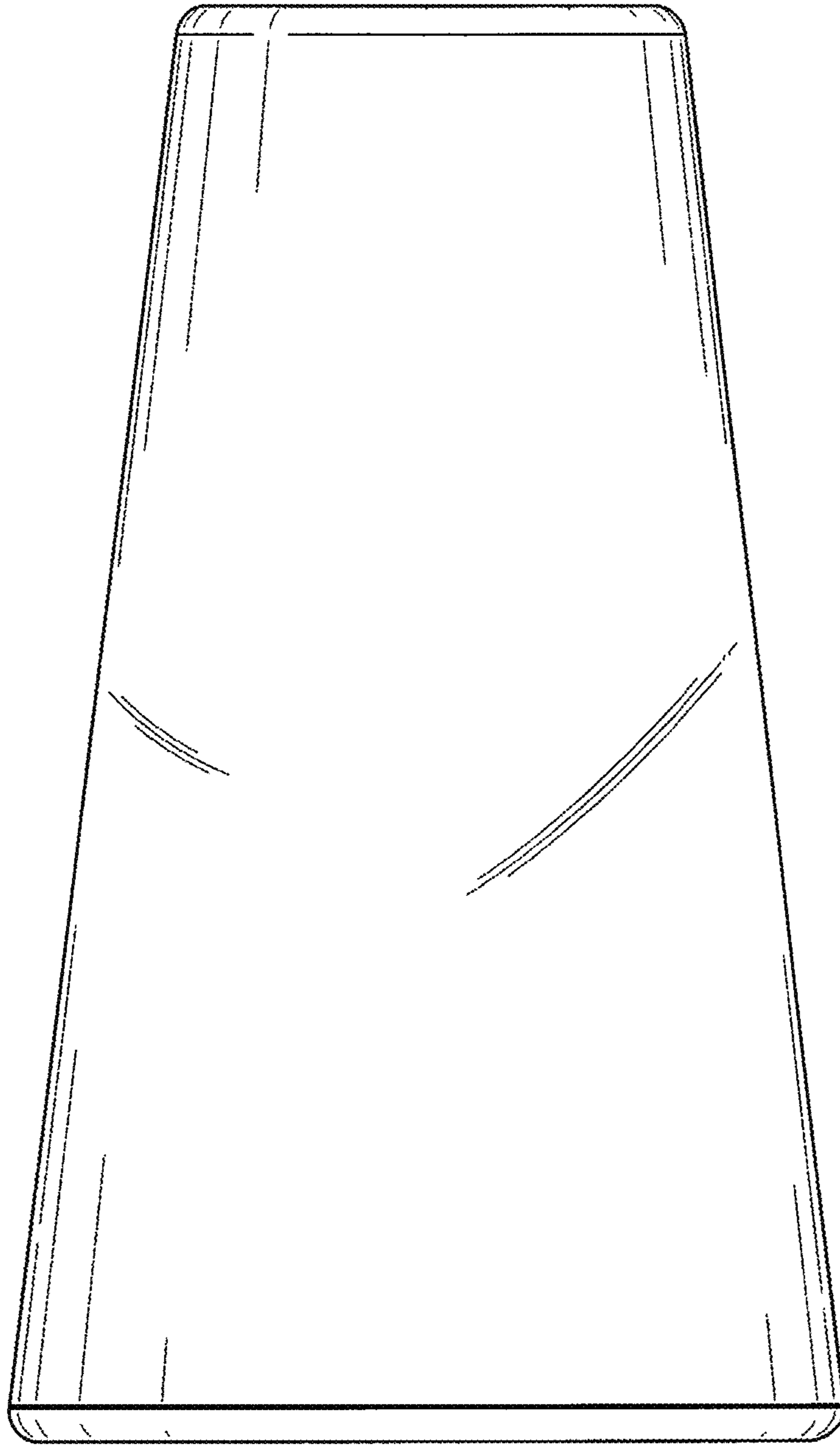


FIG. 4

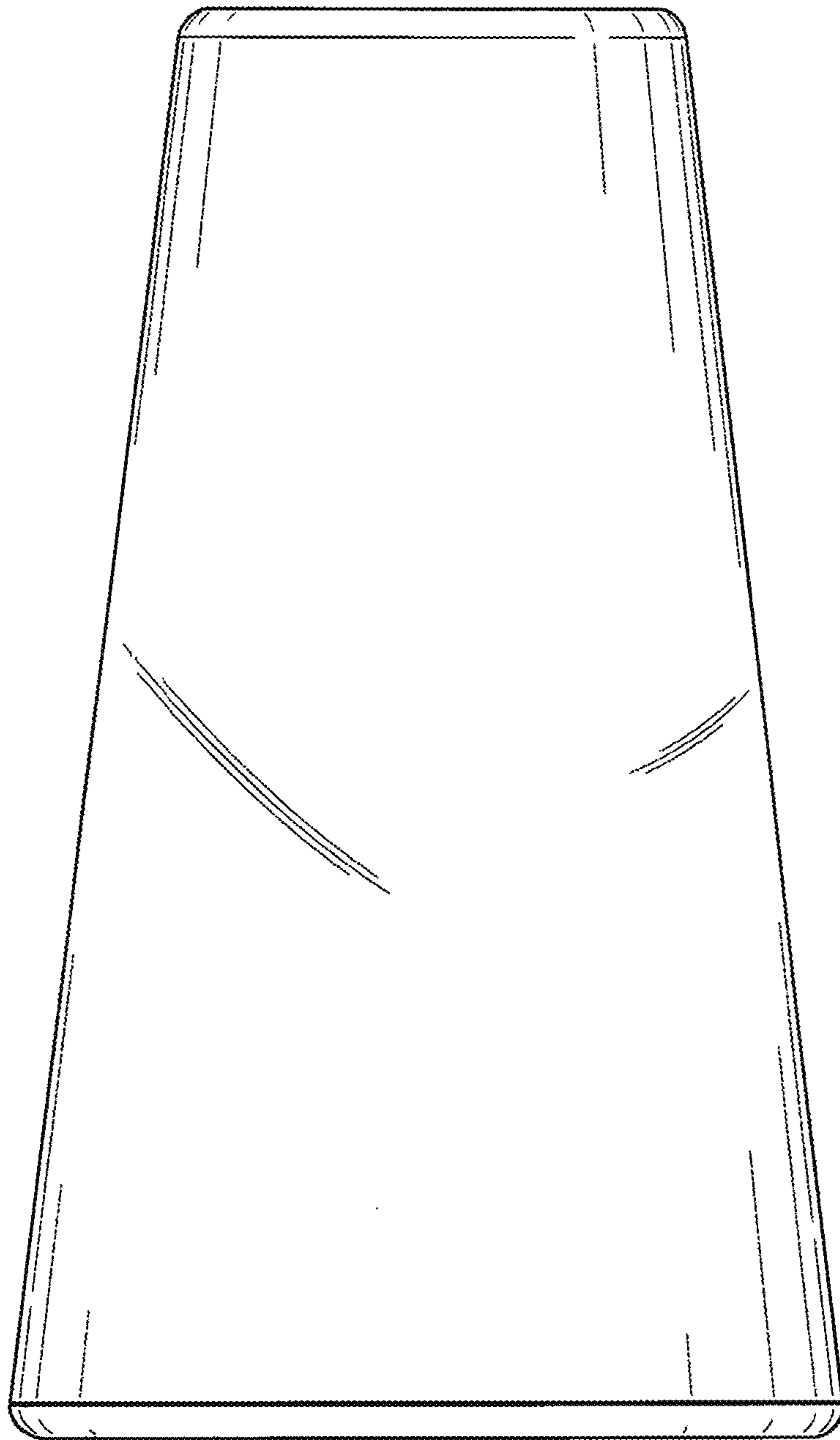


FIG. 5

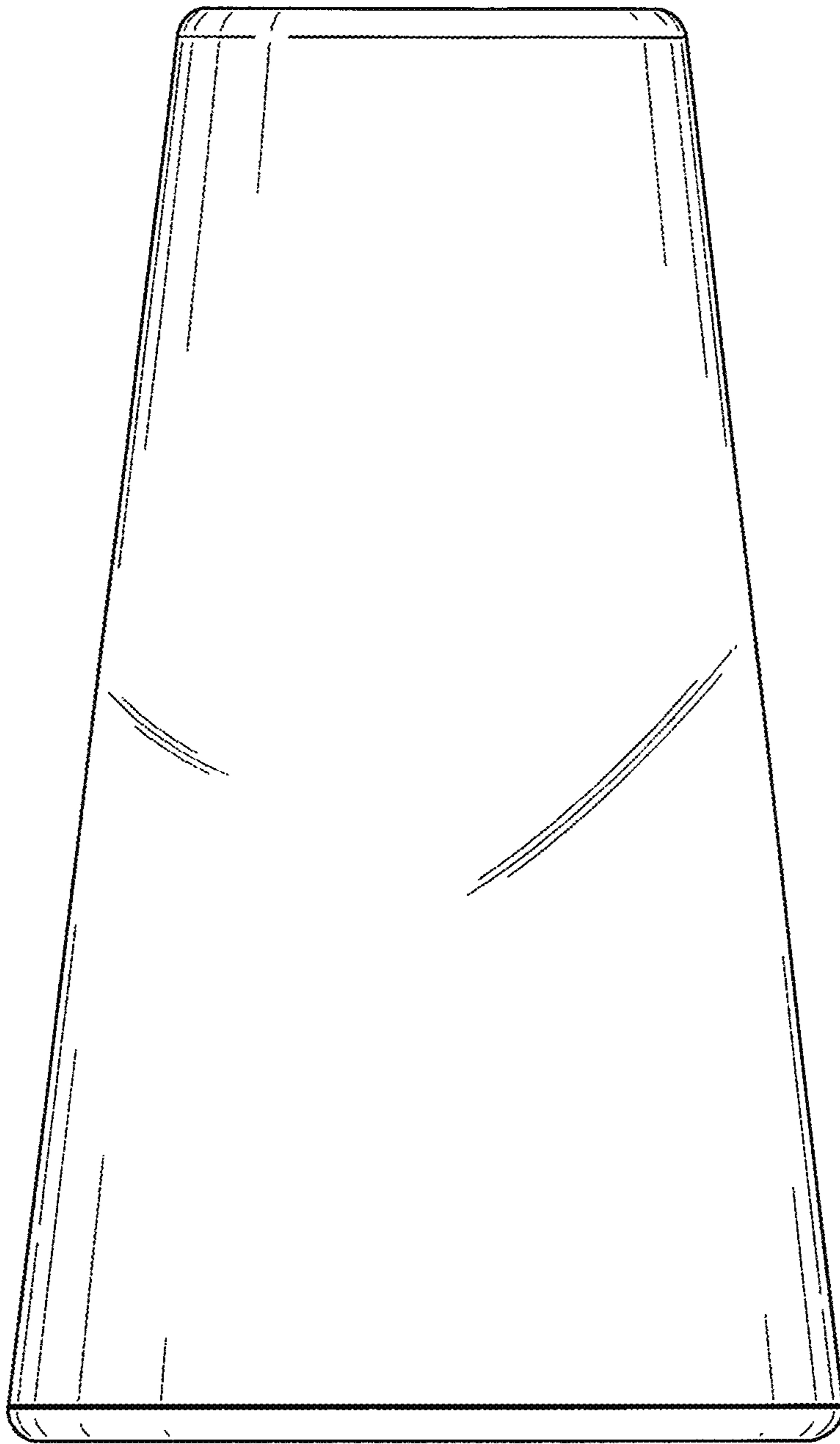


FIG. 6

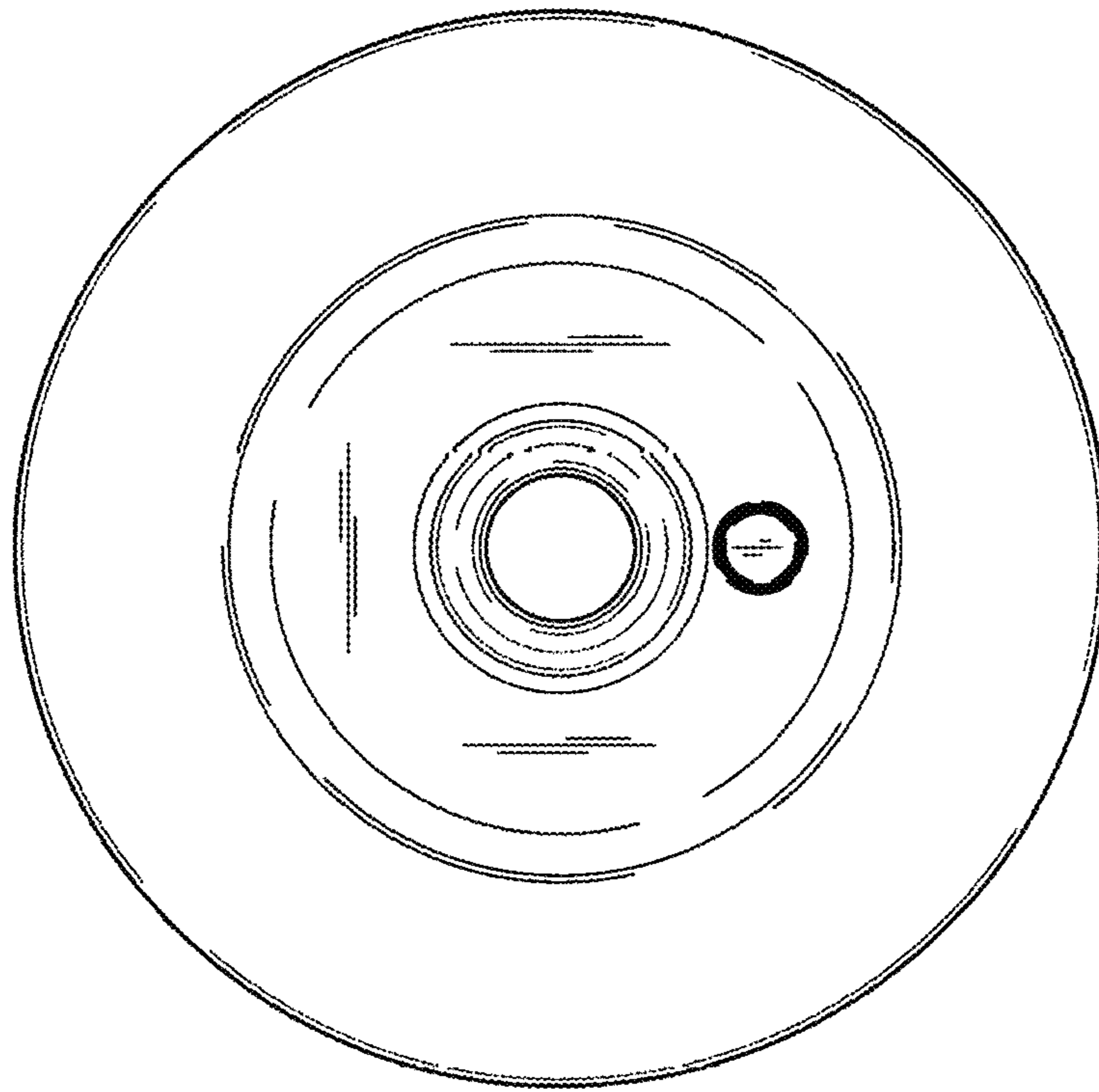


FIG. 7

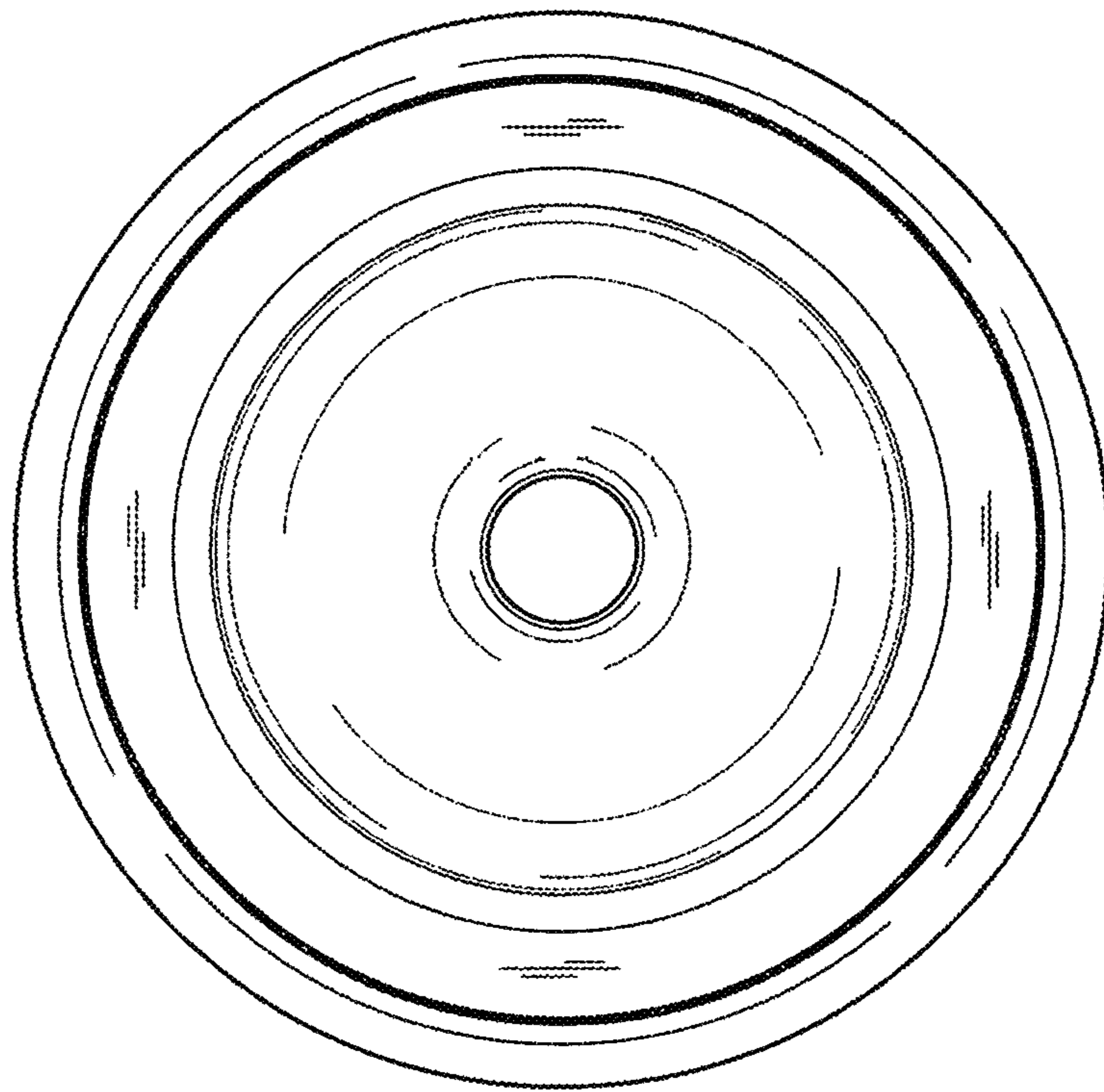


FIG. 8

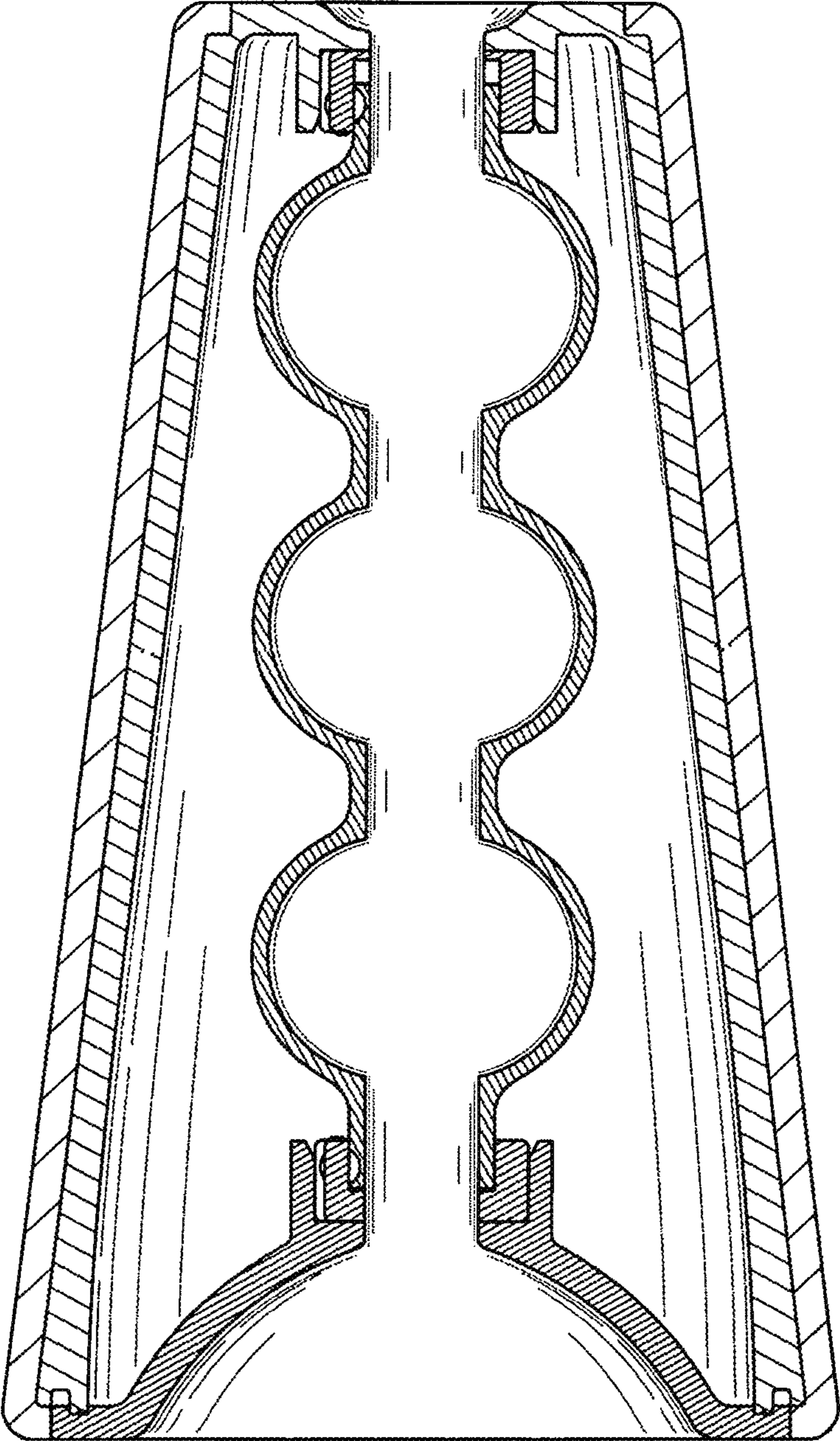


FIG. 9