



US00D817540S

(12) **United States Design Patent** (10) **Patent No.:** **US D817,540 S**  
**Yamada et al.** (45) **Date of Patent:** **\*\* May 8, 2018**

(54) **TOBACCO SUCTION TOOL CARTRIDGE**

(71) Applicant: **Japan Tobacco Inc.**, Tokyo (JP)

(72) Inventors: **Manabu Yamada**, Tokyo (JP);  
**Masafumi Tarora**, Tokyo (JP);  
**Hirofumi Matsumoto**, Tokyo (JP)

(73) Assignee: **JAPAN TOBACCO INC.**, Tokyo (JP)

(\*\*) Term: **15 Years**

(21) Appl. No.: **29/572,031**

(22) Filed: **Jul. 25, 2016**

(30) **Foreign Application Priority Data**

Jan. 25, 2016 (JP) ..... 2016-001328

(51) **LOC (11) Cl.** ..... **27-01**

(52) **U.S. Cl.**  
USPC ..... **D27/101**

(58) **Field of Classification Search**  
USPC ..... D27/100, 101, 162-171, 194; D24/108,  
D24/110, 110.5; D8/349, 354, 356, 382,  
D8/387, 394, 397, 399  
CPC ..... A24F 1/00; A24F 1/02; A24F 1/04; A24F  
1/06; A24F 1/08; A24F 1/10; A24F 1/12;  
A24F 1/14; A24F 1/26; A24F 1/28; A24F  
7/00; A24F 7/02; A24F 7/04  
See application file for complete search history.

(56) **References Cited**

**U.S. PATENT DOCUMENTS**

D229,725 S \* 12/1973 Berger ..... 131/361  
D229,789 S \* 1/1974 Berger ..... 131/361  
D695,449 S \* 12/2013 Tucker ..... D27/101  
D703,521 S \* 4/2014 Haynes ..... D8/397  
D724,262 S \* 3/2015 Hearn ..... D27/101  
D724,781 S \* 3/2015 Hearn ..... D27/101  
D729,439 S \* 5/2015 Scatterday ..... D27/101  
D730,286 S 5/2015 Liu et al.

D750,834 S \* 3/2016 Wei ..... D27/101  
D750,835 S \* 3/2016 Wei ..... D27/101  
D755,440 S \* 5/2016 Collen ..... D27/163  
D756,031 S \* 5/2016 Wu ..... D27/101  
D759,296 S \* 6/2016 Abroff ..... D27/101  
D760,947 S \* 7/2016 Hearn ..... D27/101  
D767,822 S \* 9/2016 Jordan ..... D27/194

(Continued)

**FOREIGN PATENT DOCUMENTS**

CN 302715975 S 1/2014  
JP D1385677 D 3/2010

(Continued)

*Primary Examiner* — Sheryl Lane

*Assistant Examiner* — Jennifer M Campbell

(74) *Attorney, Agent, or Firm* — Ohlandt, Greeley,  
Ruggiero & Perle, LLP

(57) **CLAIM**

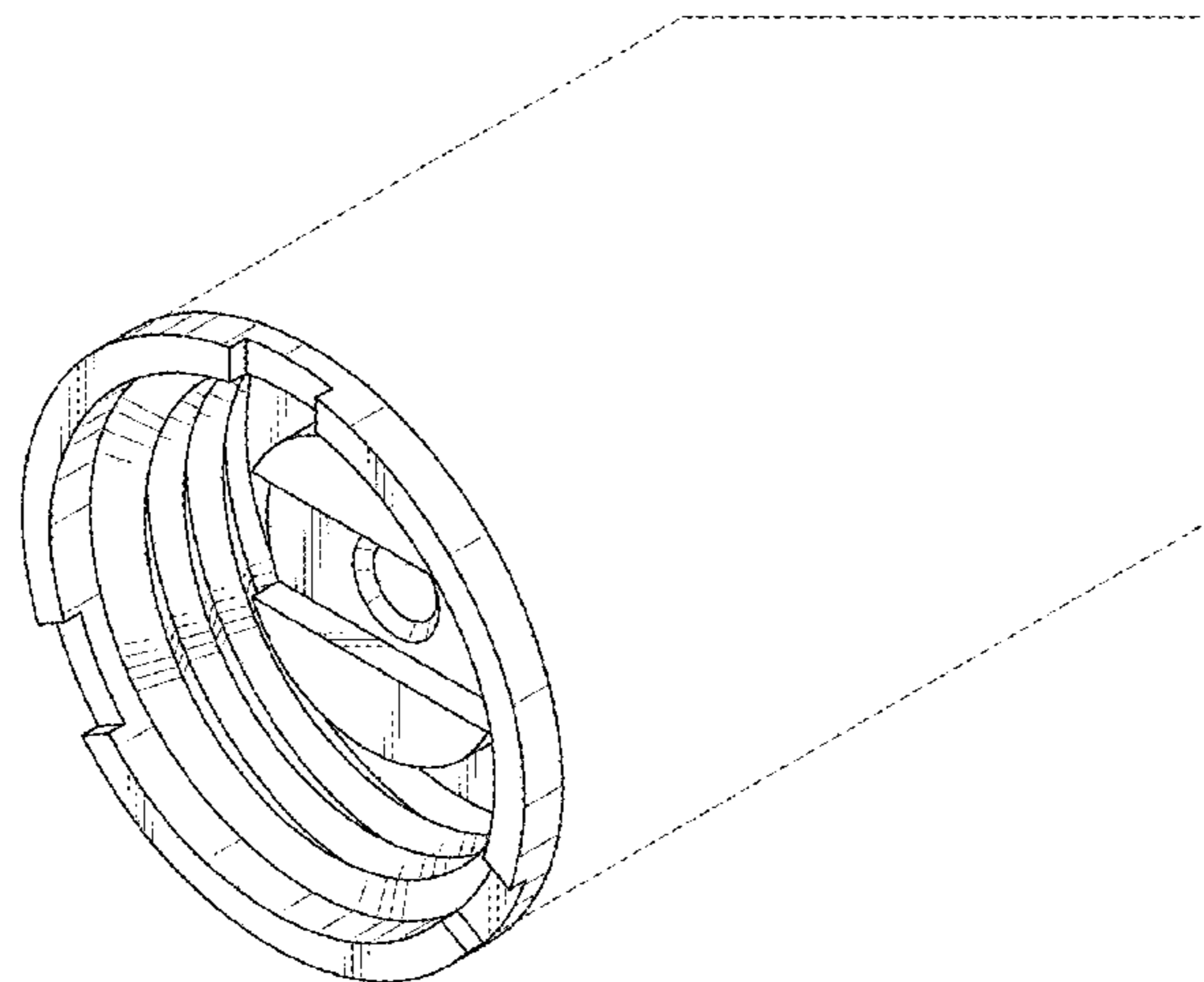
The ornamental design for a tobacco suction tool cartridge,  
as shown and described.

**DESCRIPTION**

FIG. 1 is a perspective view from the left side of a tobacco  
suction tool cartridge.  
FIG. 2 is a perspective view from the right side thereof.  
FIG. 3 is a front elevation view thereof.  
FIG. 4 is a rear elevation view thereof.  
FIG. 5 is a top plan view thereof.  
FIG. 6 is a bottom plan view thereof.  
FIG. 7 is a left side elevation view thereof.  
FIG. 8 is a right side elevation view thereof.  
FIG. 9 is an enlarged perspective view thereof; and,  
FIG. 10 is a cross-sectional view taken along line 10-10 in  
FIG. 7.

The broken lines shown in the drawings illustrate portions of  
the tobacco suction tool cartridge that form no part of  
claimed design.

**1 Claim, 10 Drawing Sheets**



(56)

**References Cited**

U.S. PATENT DOCUMENTS

D768,915	S *	10/2016	Wright	.....	D27/101
D770,086	S *	10/2016	Tucker	.....	D27/101
D776,245	S *	1/2017	Yu	.....	D23/259
D779,725	S *	2/2017	Bramley	.....	D27/170
D780,993	S *	3/2017	Bramley	.....	D27/170
D782,108	S *	3/2017	Jordan	.....	D27/167
D795,682	S *	8/2017	Downs	.....	D8/382
D796,947	S *	9/2017	Hsu	.....	D8/397
D797,990	S *	9/2017	Hawes	.....	D27/162
D799,315	S *	10/2017	May	.....	D8/397
2014/0332017	A1 *	11/2014	Liu	.....	A24F 47/008
					131/329
2015/0020827	A1 *	1/2015	Liu	.....	A24F 47/008
					131/329
2015/0020828	A1 *	1/2015	Liu	.....	A24F 47/008
					131/329
2015/0208728	A1 *	7/2015	Lord	.....	A24F 47/008
					131/329
2017/0246407	A1 *	8/2017	Matsumoto	.....	A24F 47/002

FOREIGN PATENT DOCUMENTS

JP	D1385679	D	3/2010
JP	D1385677	D	4/2010
JP	D1385679	D	4/2010
KR	30-2013-0040813		12/2013
KR	30-0721091		12/2013
KR	30-2013-0064261		9/2014
KR	30-0763926		9/2014

\* cited by examiner

FIG. 1

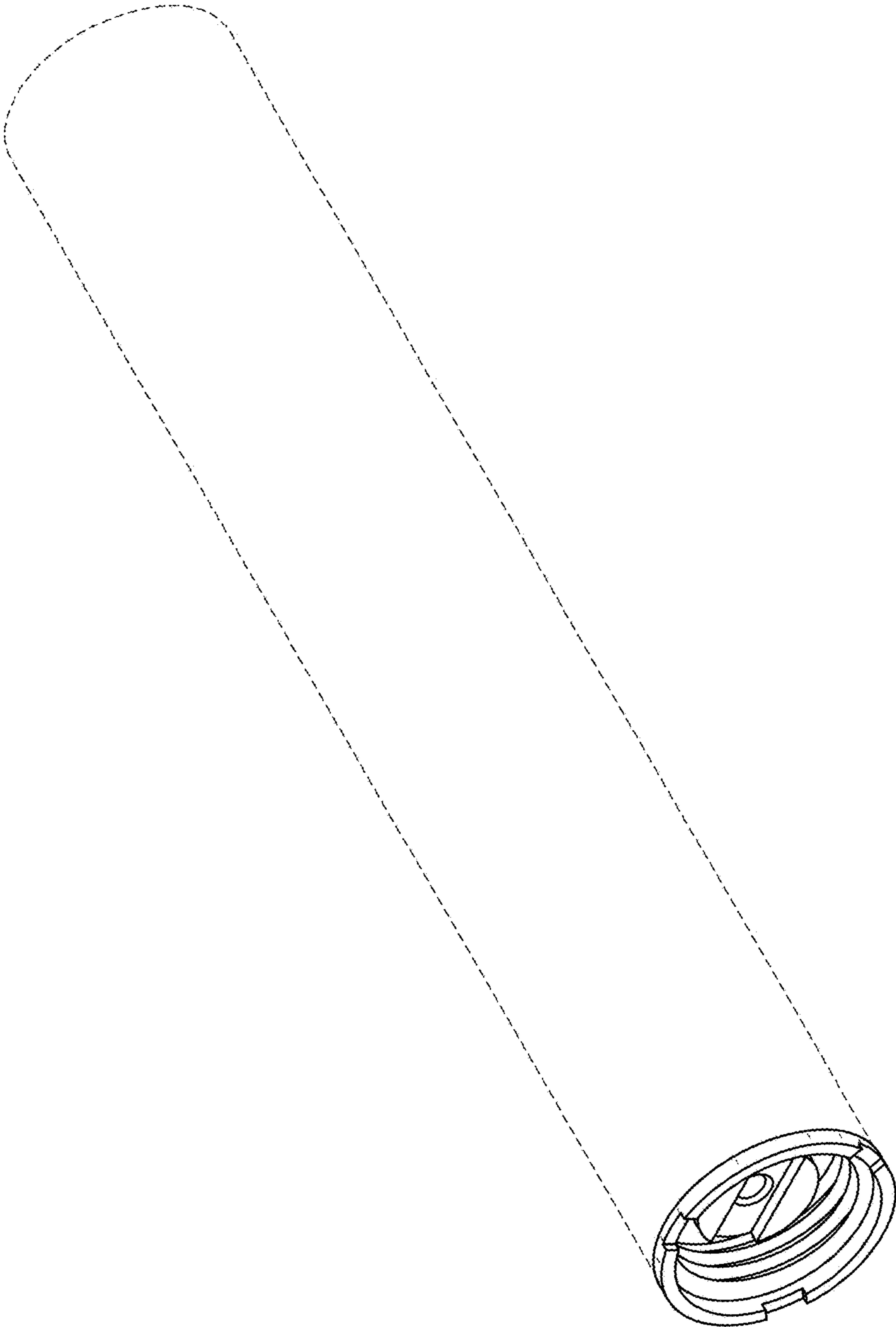


FIG. 2

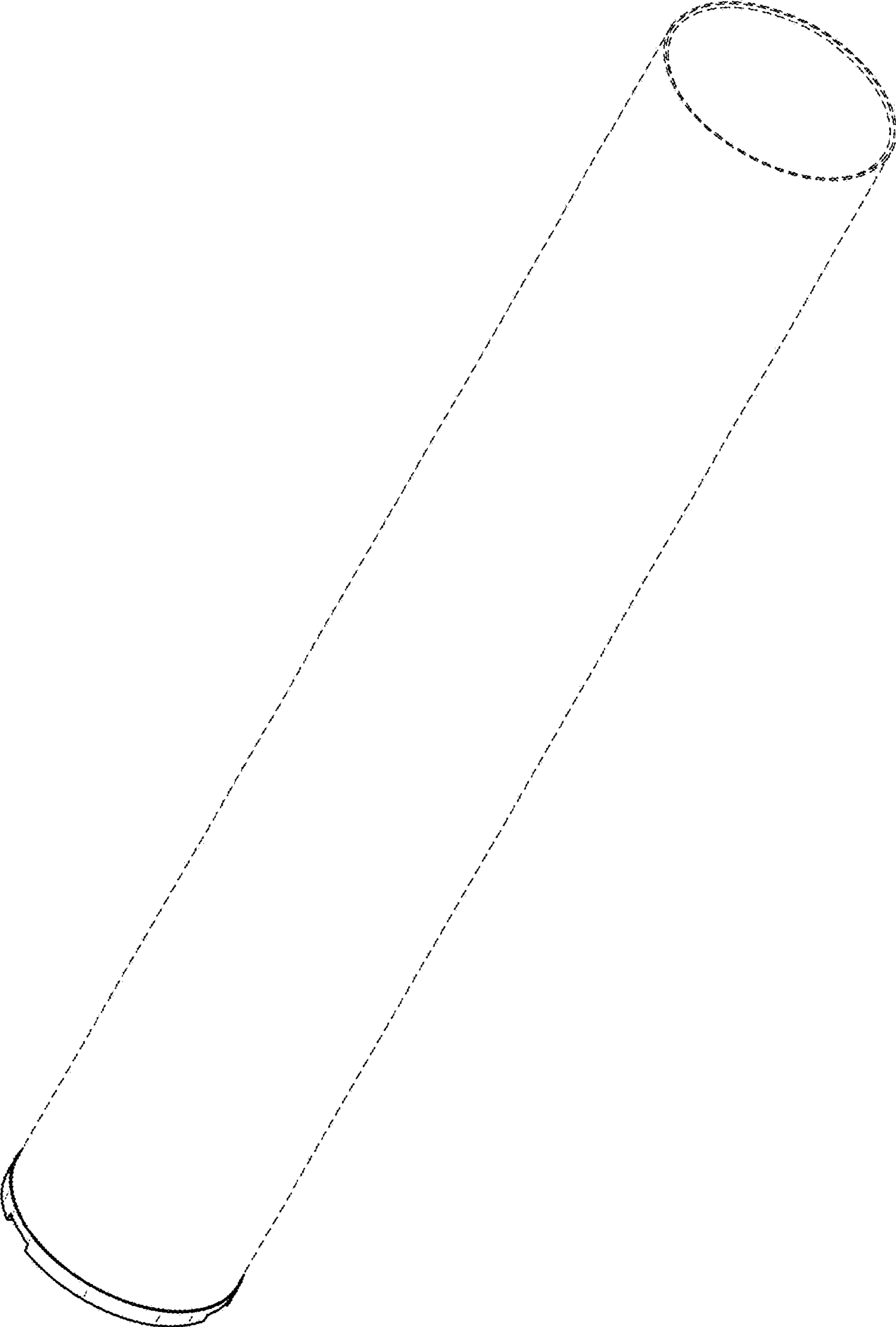


FIG. 3

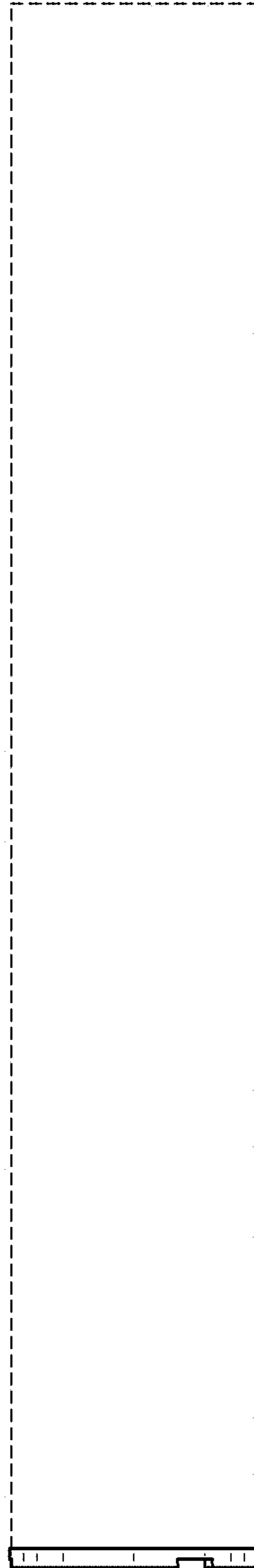


FIG. 4

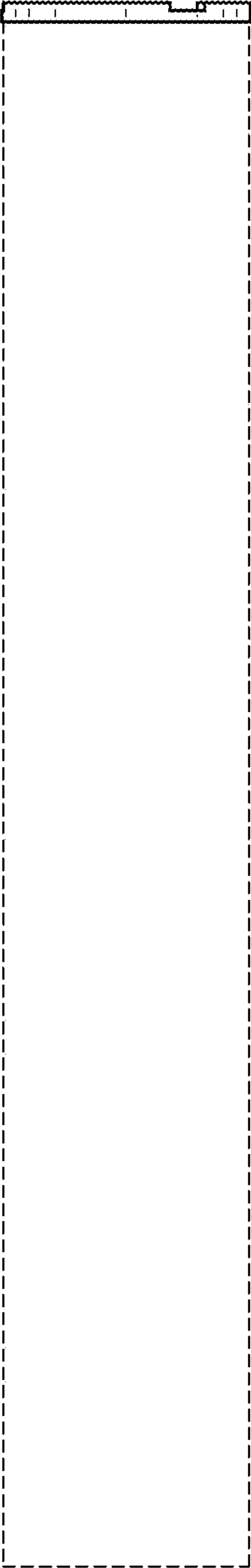


FIG. 5

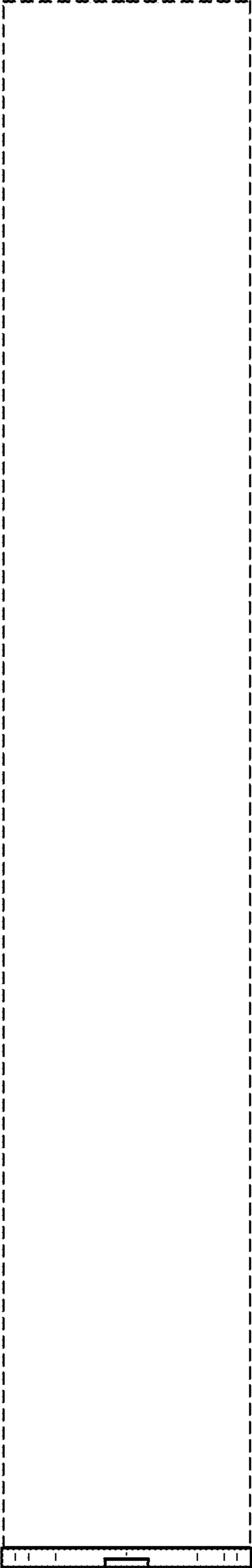


FIG. 6

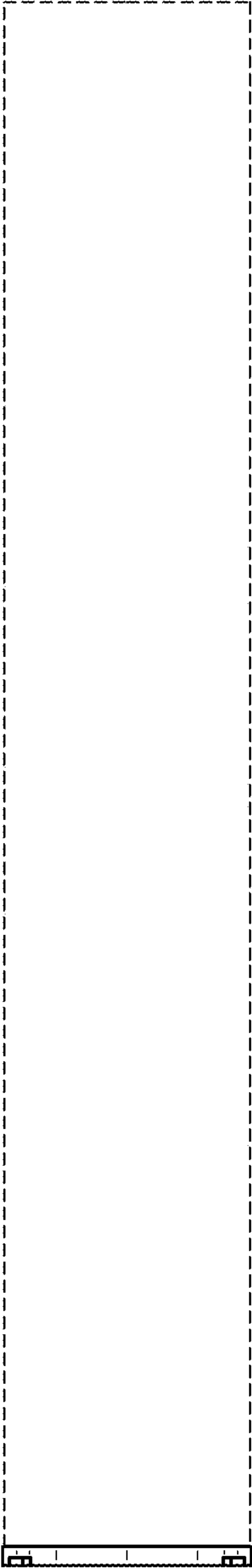




FIG. 7

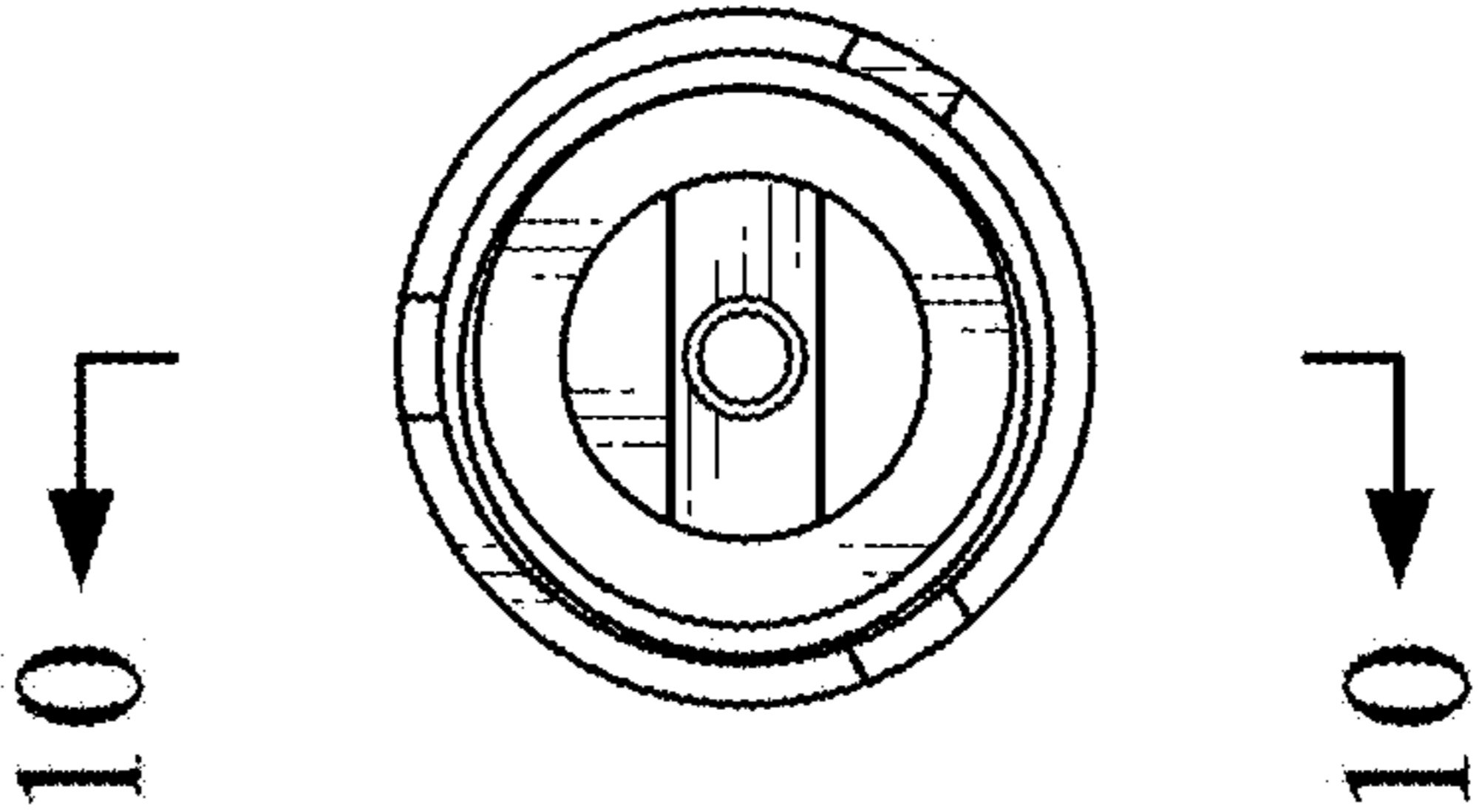


FIG. 8

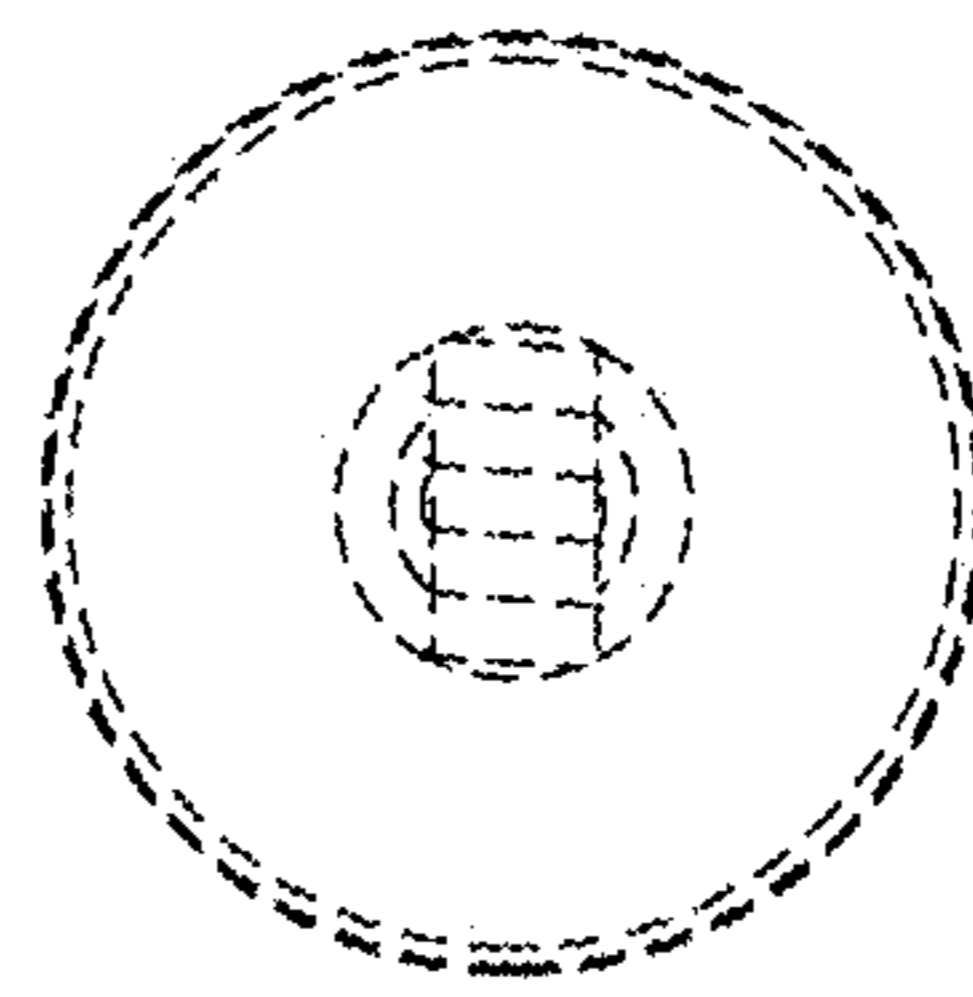


FIG. 9

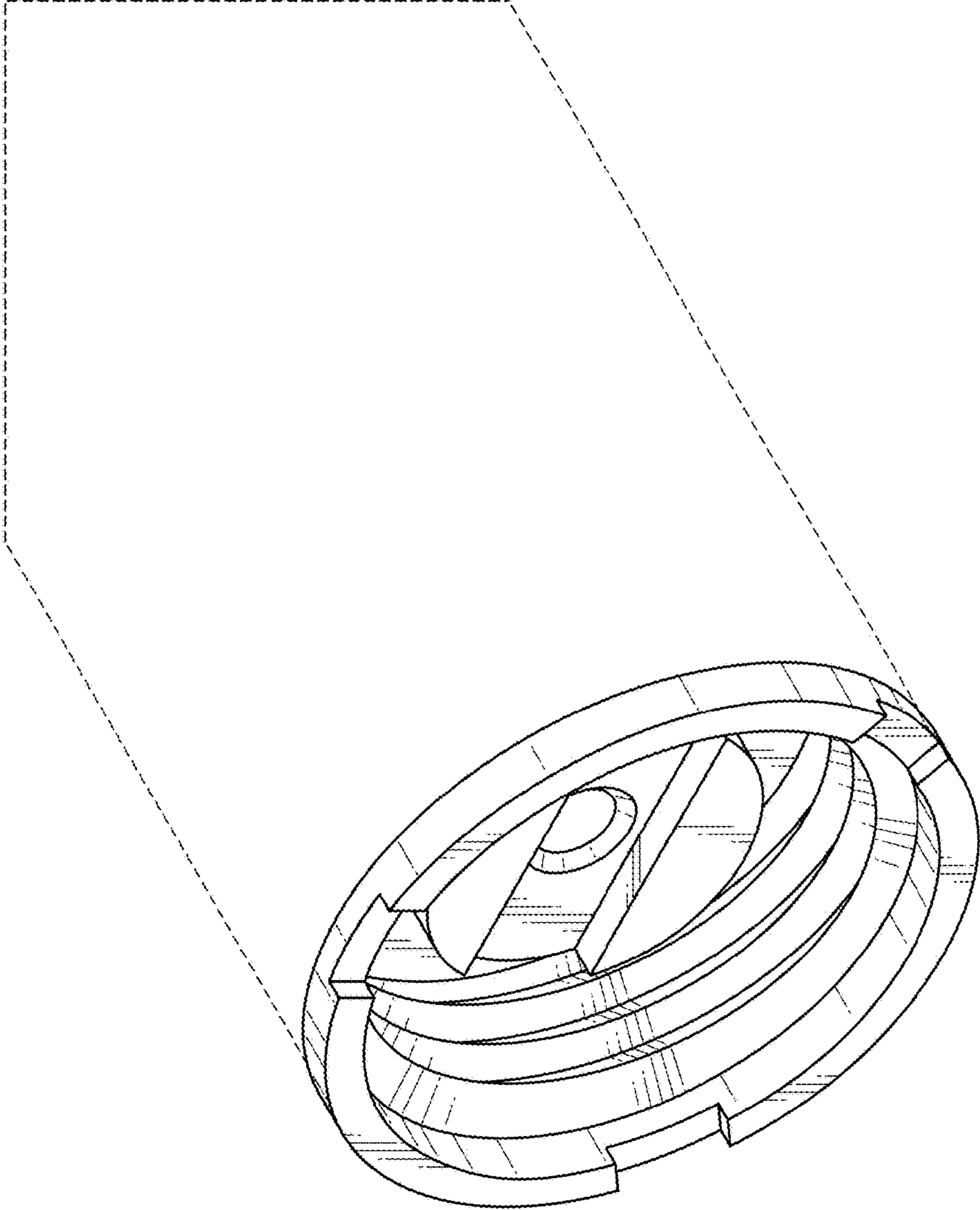


FIG. 10

