



US00D817539S

(12) **United States Design Patent**
Cho et al.

(10) **Patent No.:** **US D817,539 S**
(45) **Date of Patent:** **** May 8, 2018**

- (54) **LIGHTING APPARATUS**
- (71) Applicant: **FEELUX CO., LTD.**, Yangju-si,
Gyeonggi-do (KR)
- (72) Inventors: **Beom Yeon Cho**, Seoul (KR); **Kyeong Yeon Won**, Seoul (KR)
- (73) Assignee: **FEELUX CO., LTD.**, Yangju-si,
Gyeonggi-Do (KR)
- (**) Term: **15 Years**
- (21) Appl. No.: **29/580,979**
- (22) Filed: **Oct. 14, 2016**
- (51) **LOC (11) Cl.** **26-99**
- (52) **U.S. Cl.**
USPC **D26/113**
- (58) **Field of Classification Search**
USPC D26/1, 24, 25, 60-63, 113, 118;
D13/139.2, 155
CPC H01R 25/142; H02G 3/0431; F21V
19/0055; B60K 31/0066; H05B 33/0803
See application file for complete search history.

- 7,634,346 B2 * 12/2009 Abe B60K 31/0066
701/70
- 7,909,499 B2 * 3/2011 Snagel H01R 25/142
362/221
- 8,764,220 B2 * 7/2014 Chan F21V 15/013
362/217.02
- 9,155,170 B2 * 10/2015 Shah H05B 33/0803

* cited by examiner

Primary Examiner — Brian N. Vinson
(74) *Attorney, Agent, or Firm* — Novick, Kim & Lee,
PLLC; Sang Ho Lee

(57) **CLAIM**

We claim the ornamental design for a lighting apparatus, as shown and described.

DESCRIPTION

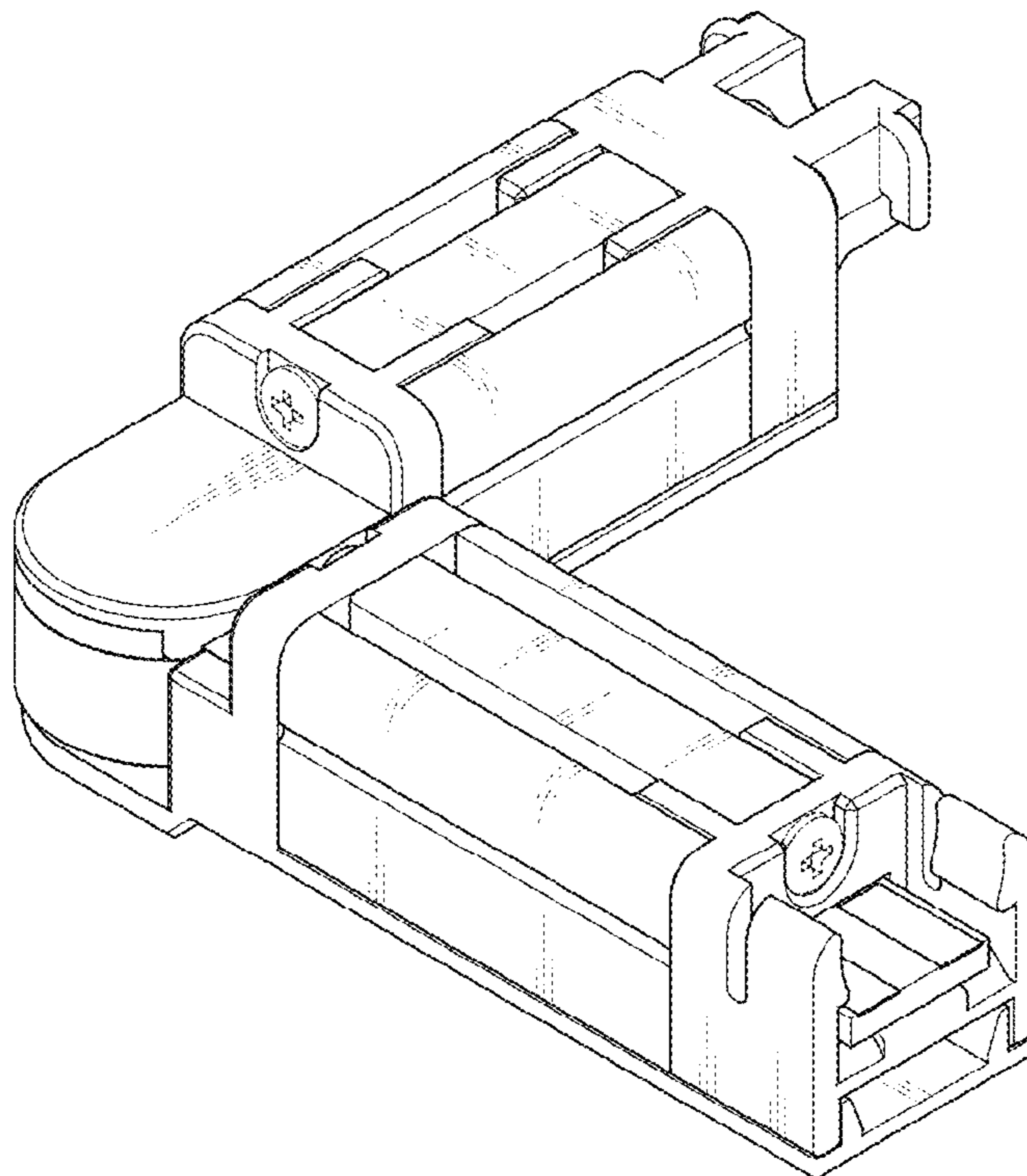
FIG. 1 is a top perspective view of a lighting apparatus, showing our new design;
 FIG. 2 is a front elevational view thereof;
 FIG. 3 is a rear elevational view thereof;
 FIG. 4 is a left side elevational view thereof;
 FIG. 5 is a right side elevational view thereof;
 FIG. 6 is a bottom plan view thereof;
 FIG. 7 is a top plan view thereof;
 FIG. 8 is a bottom perspective view thereof; and,
 FIG. 9 is a perspective view thereof shown in a straightened position.
 The broken lines shown in the drawing figures form no part of the claimed design.

(56) **References Cited**

U.S. PATENT DOCUMENTS

- D362,656 S * 9/1995 Roos D13/134
- D563,580 S * 3/2008 Prazoff D26/61
- D579,131 S * 10/2008 Handsaker D26/24

1 Claim, 5 Drawing Sheets



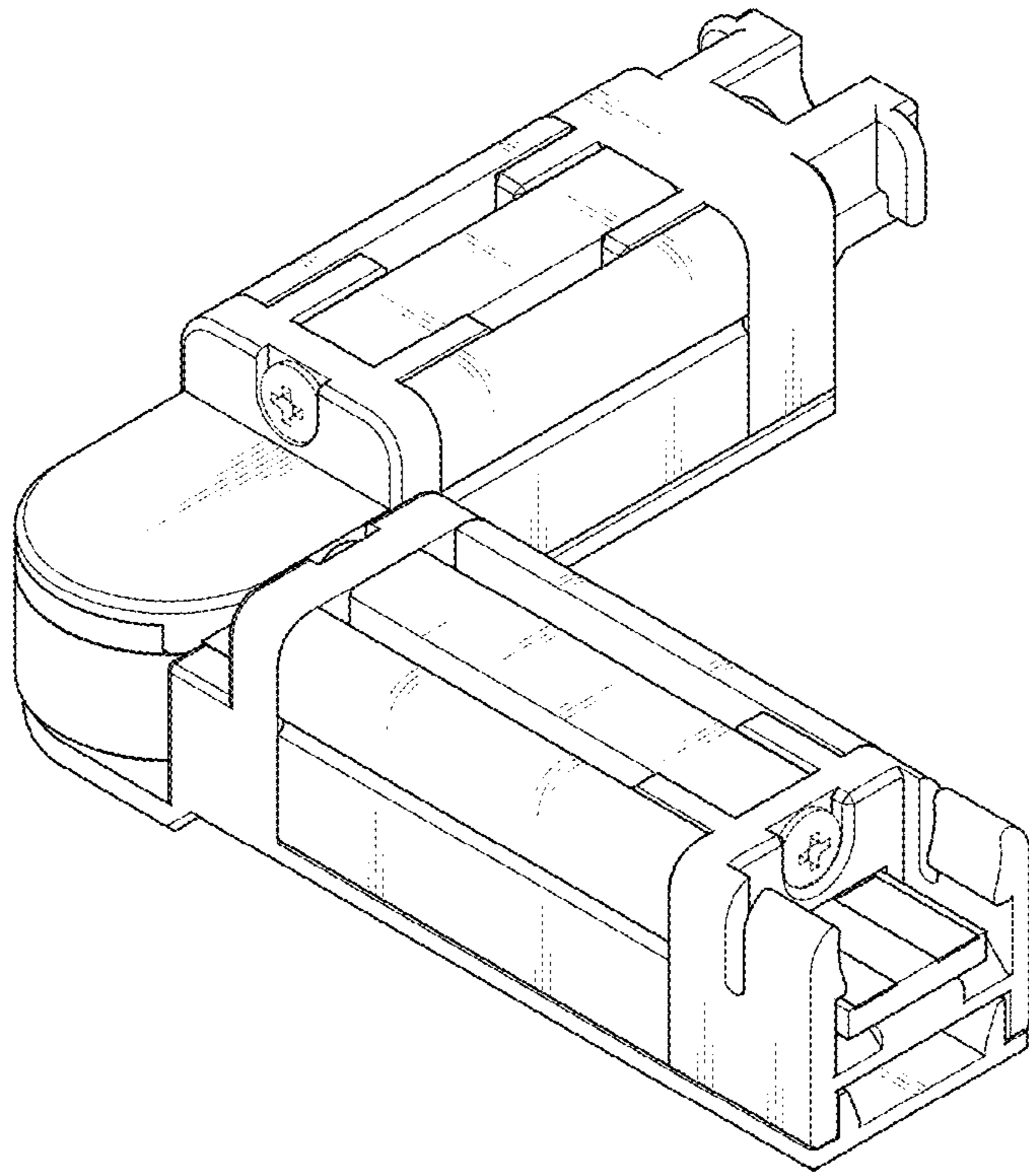


FIG. 1

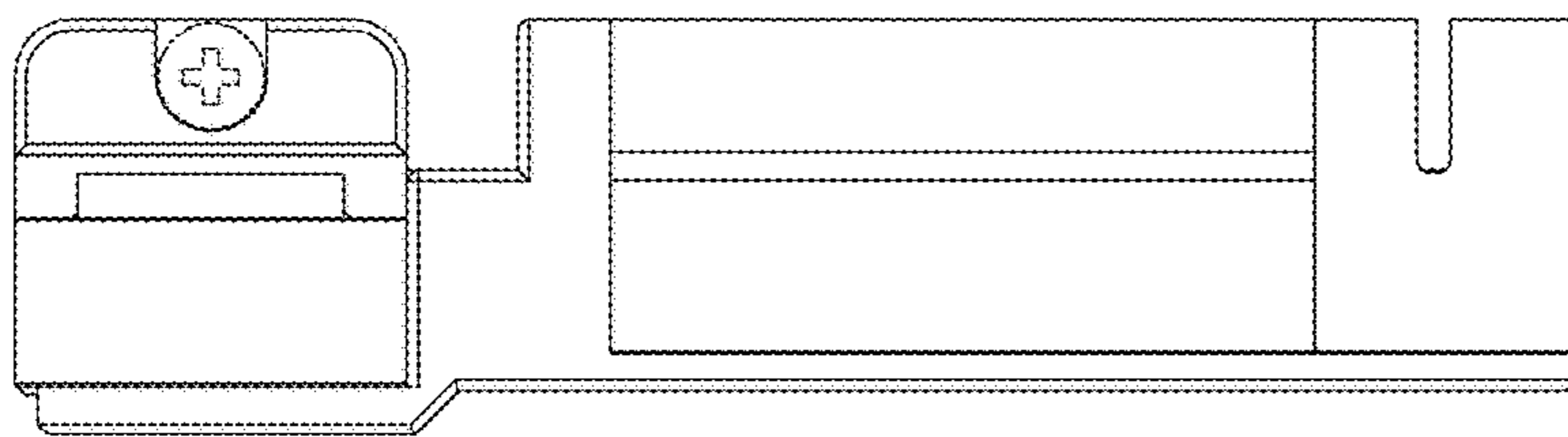


FIG. 2

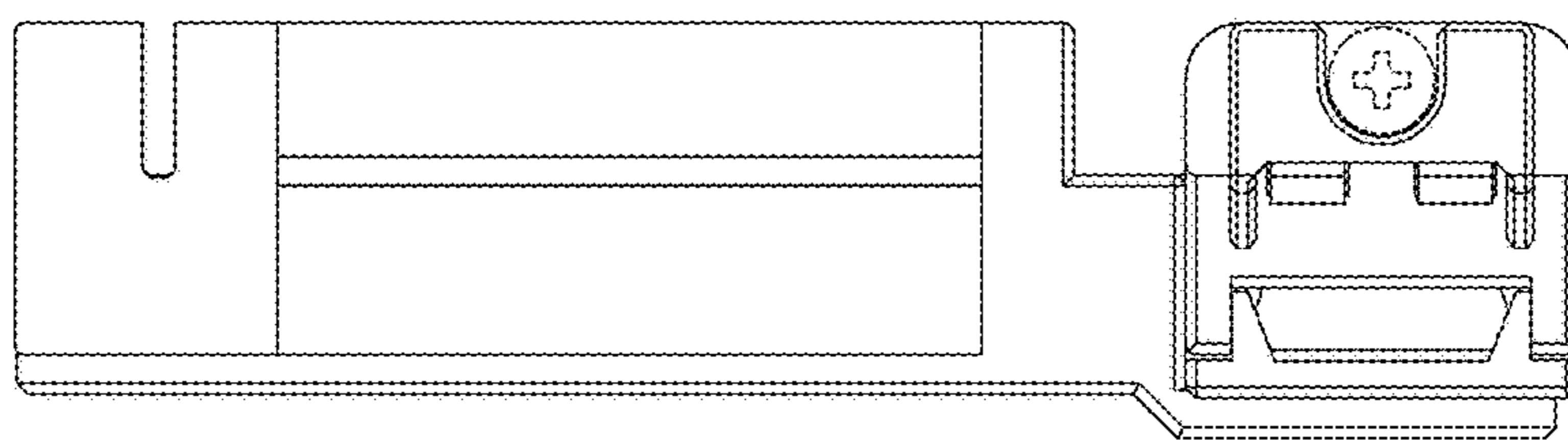


FIG. 3

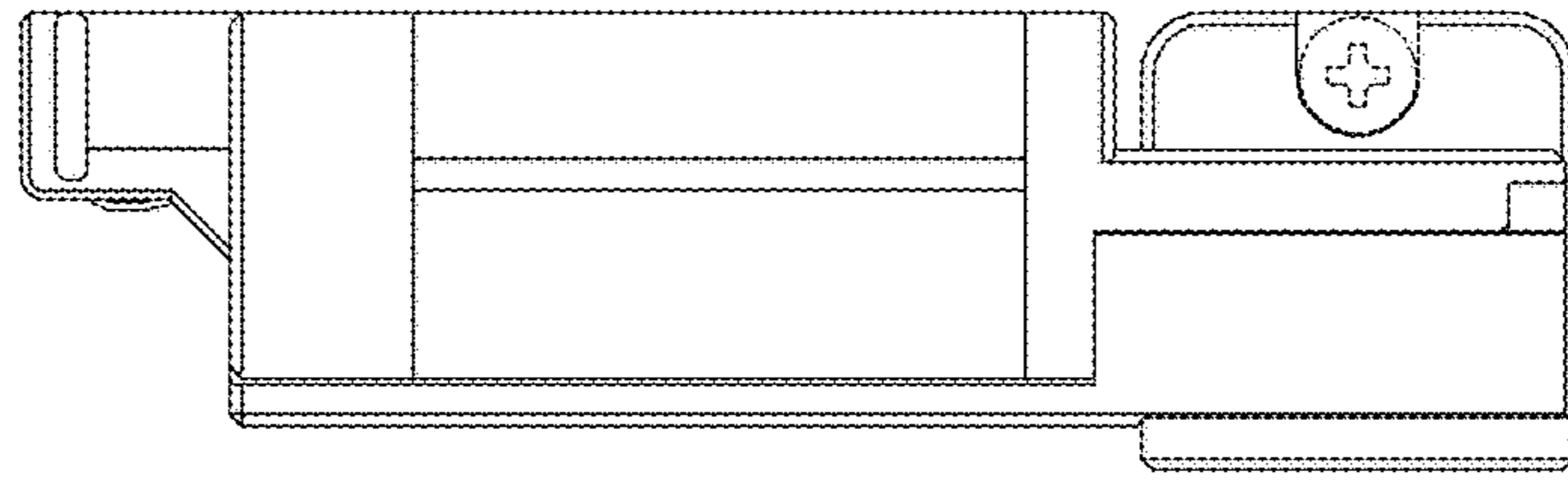


FIG. 4

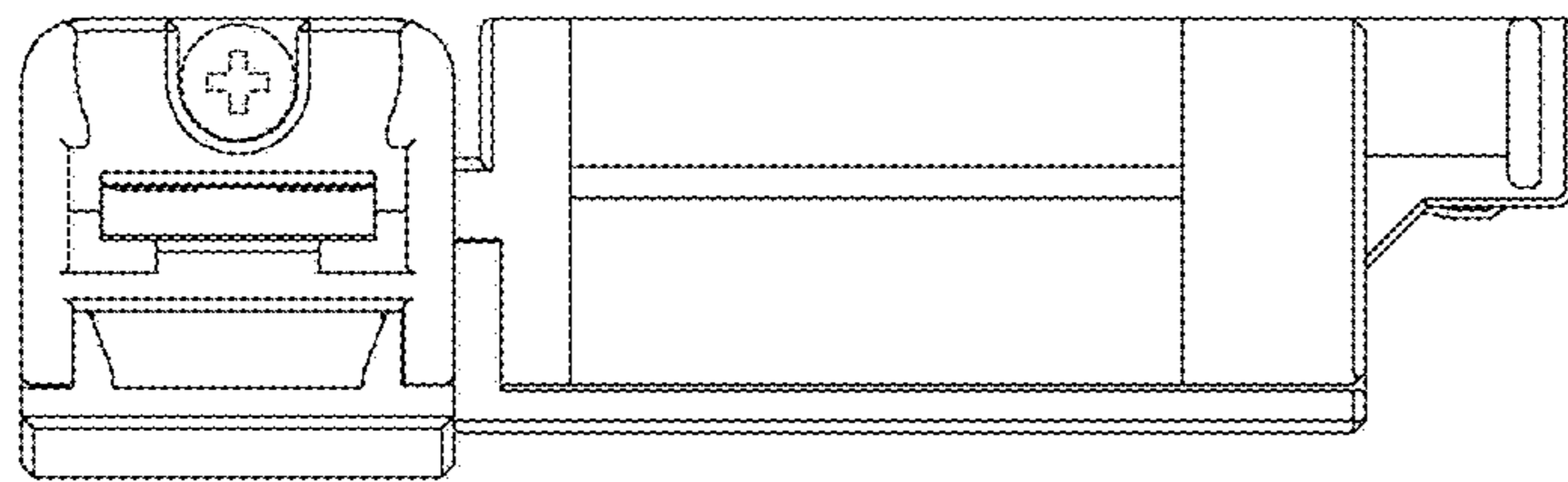


FIG. 5

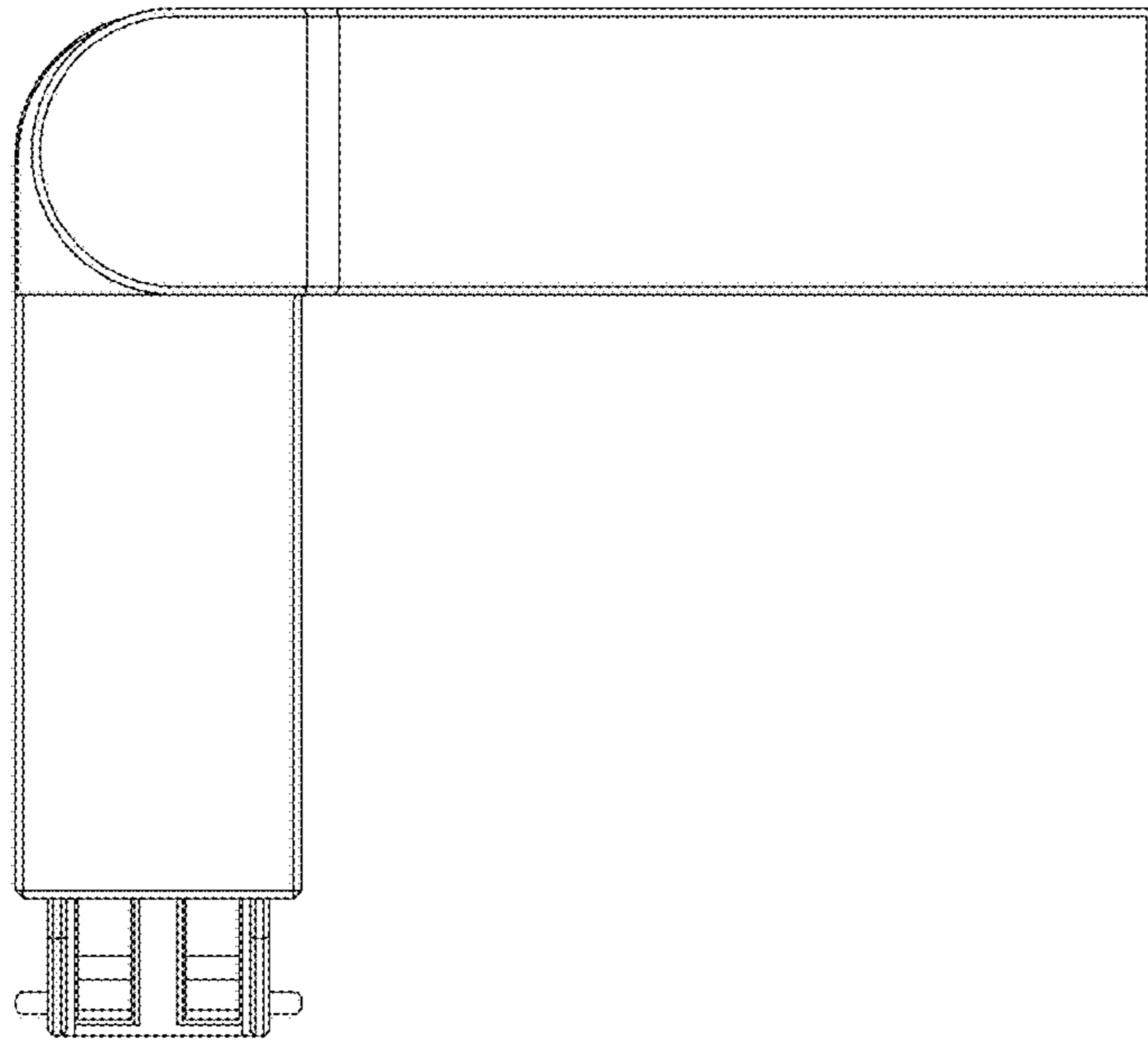


FIG. 6

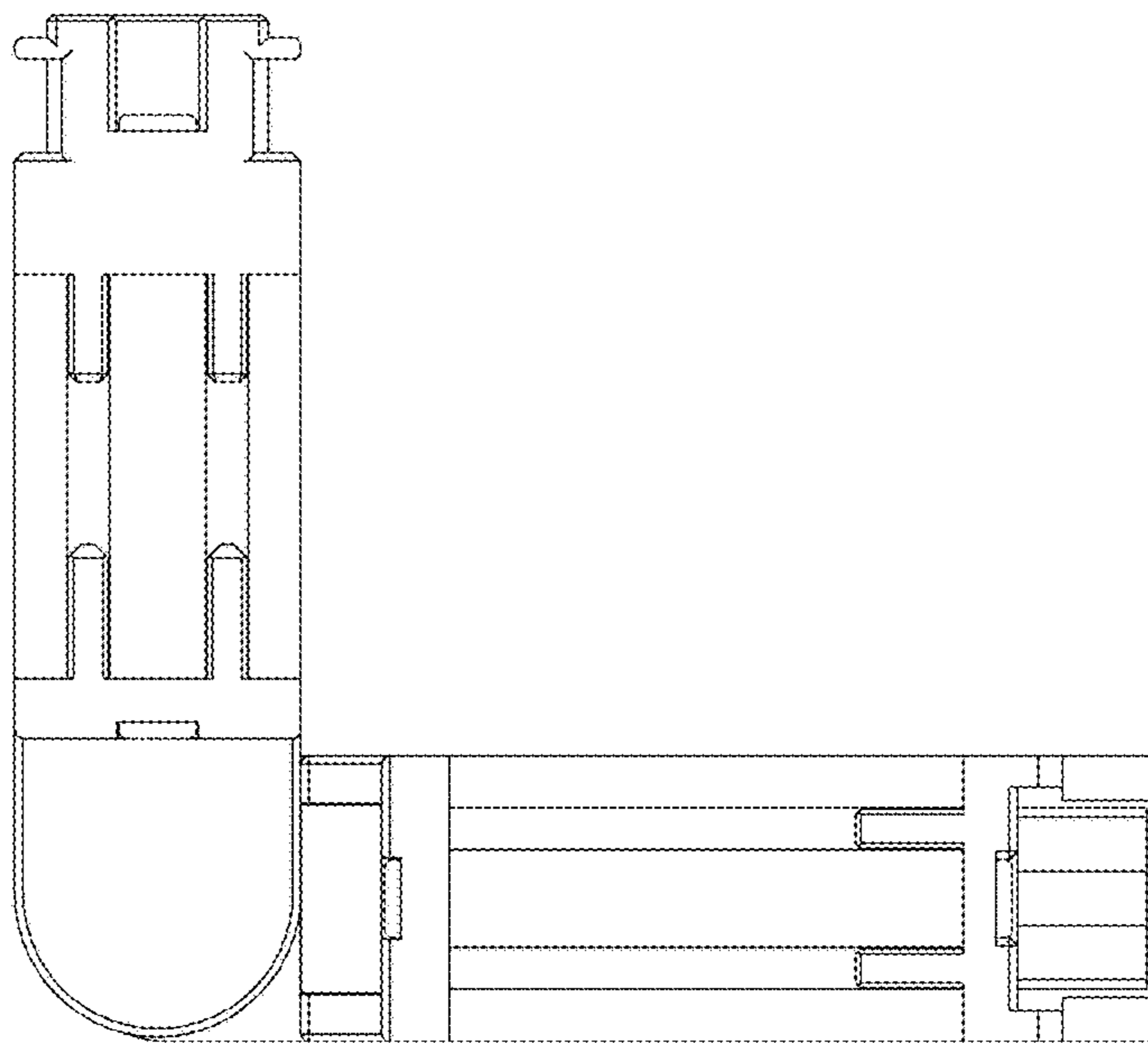


FIG. 7

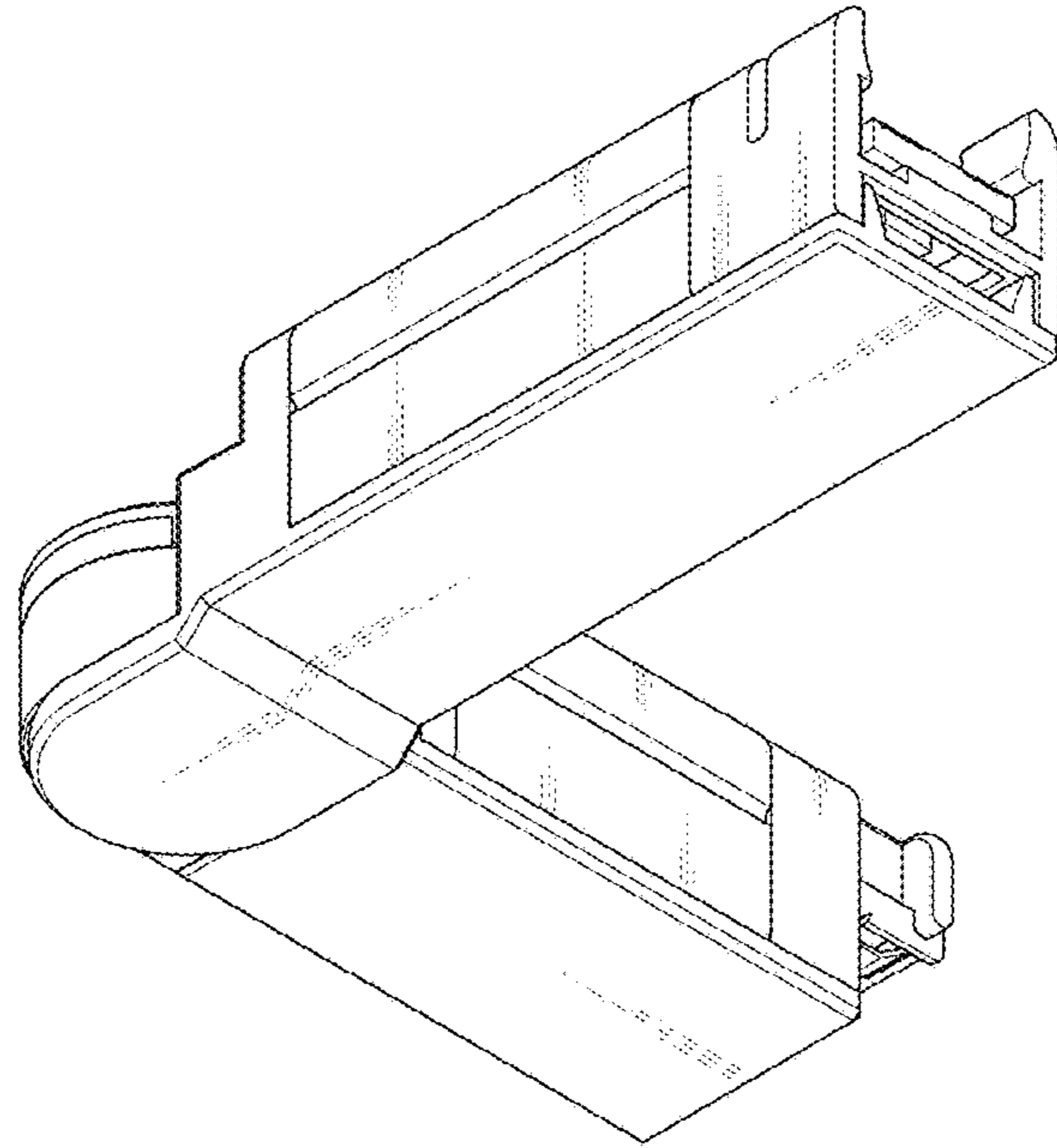


FIG. 8

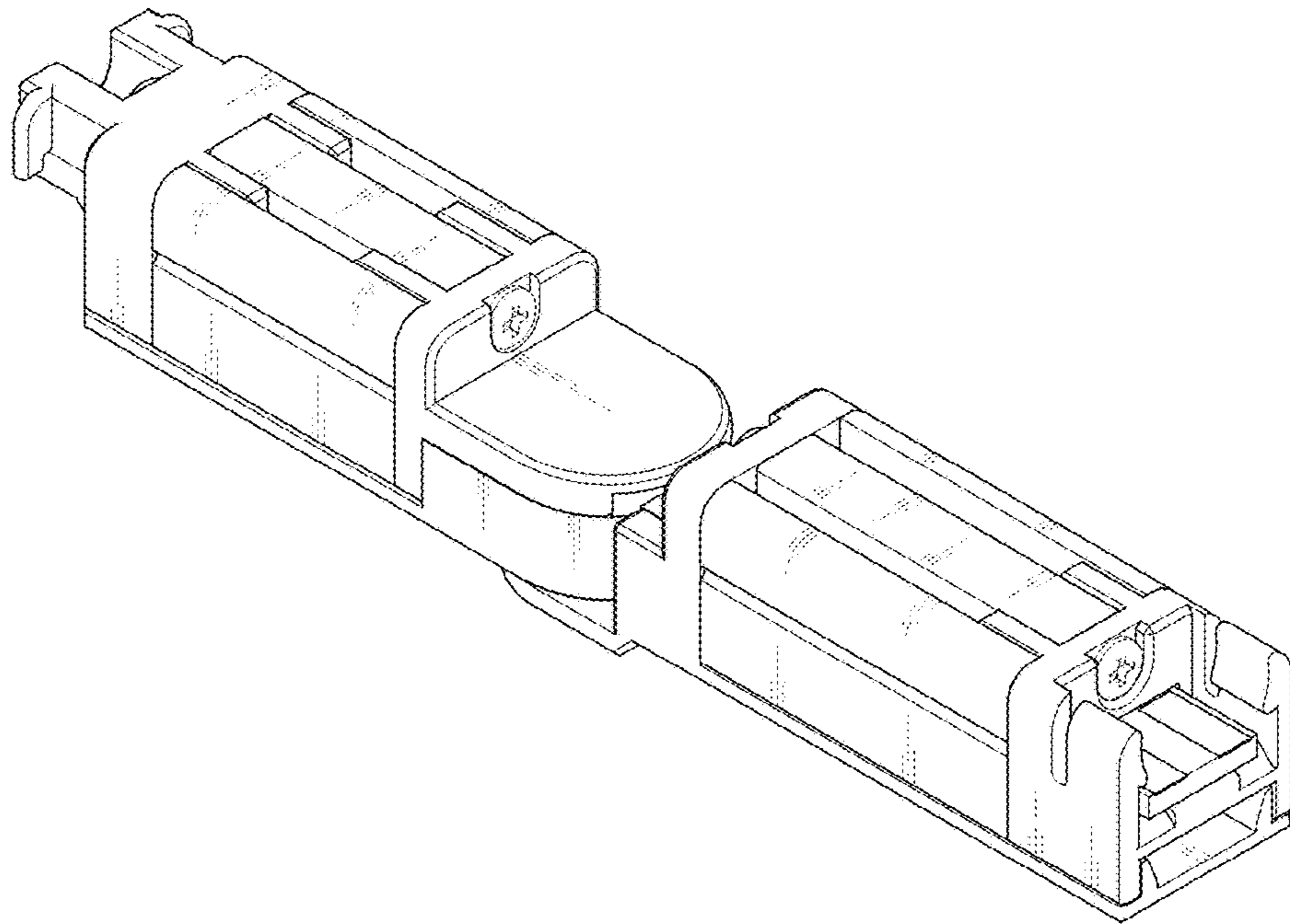


FIG. 9