



US00D817538S

(12) **United States Design Patent**
Hinton

(10) **Patent No.:** **US D817,538 S**
(45) **Date of Patent:** **** May 8, 2018**

(54) **DECORATIVE LIGHT**

(71) Applicant: **LOCOMOCEAN LIMITED**, London (GB)

(72) Inventor: **Richard Hinton**, London (GB)

(73) Assignee: **LOCOMOCEAN LIMITED** (GB)

(**) Term: **15 Years**

(21) Appl. No.: **29/580,938**

(22) Filed: **Oct. 14, 2016**

(30) **Foreign Application Priority Data**

Apr. 15, 2016 (EM) 003071554

(51) **LOC (11) Cl.** **26-03**

(52) **U.S. Cl.**
USPC **D26/94**

(58) **Field of Classification Search**
USPC D26/93, 94, 104, 106; D21/392, 405,
D21/483; D27/141, 148; D14/432, 483,
D14/217, 299; D10/116.1; D20/10, 99;
D16/237

CPC F21S 13/12; F21V 15/01; F21V 33/00;
F21V 21/145; G03B 31/00

See application file for complete search history.

(56) **References Cited**

U.S. PATENT DOCUMENTS

D265,486 S *	7/1982	Lundell	D20/10
D387,393 S *	12/1997	Mikelberg	D21/392
D391,014 S *	2/1998	Compte	D27/141
D424,734 S *	5/2000	Gager	D20/41
D429,371 S *	8/2000	Matoba	D27/141
D485,003 S *	1/2004	Olson	D26/104
6,831,729 B1 *	12/2004	Davies	G03B 21/32 352/12
D503,240 S *	3/2005	Weiland	D26/94
D507,843 S *	7/2005	Calimlim	D26/94

FOREIGN PATENT DOCUMENTS

WO 2015192759 A1 12/2015

OTHER PUBLICATIONS

“Clapperbopard—Lighter by Family Crests.” www.Amazon.com, date placed on sale unknown (Year: 2017).*

“Clapperboard Style Digital Alarm Clock” www.Amazon.com, date placed on sale unknown (Year: 2017).*

(Continued)

Primary Examiner — Brian N. Vinson

(74) *Attorney, Agent, or Firm* — Gardner Groff; Greenwald & Villanueva, PC

(57) **CLAIM**

The ornamental design for a decorative light, substantially as shown and described.

DESCRIPTION

FIG. 1 is a perspective view of a decorative light according to the design, in a closed configuration.

FIG. 2 is a perspective view of the decorative light of FIG. 1, in an open configuration.

FIG. 3 is a first side view of the decorative light of FIG. 1.

FIG. 4 is a second side view of the decorative light of FIG. 1.

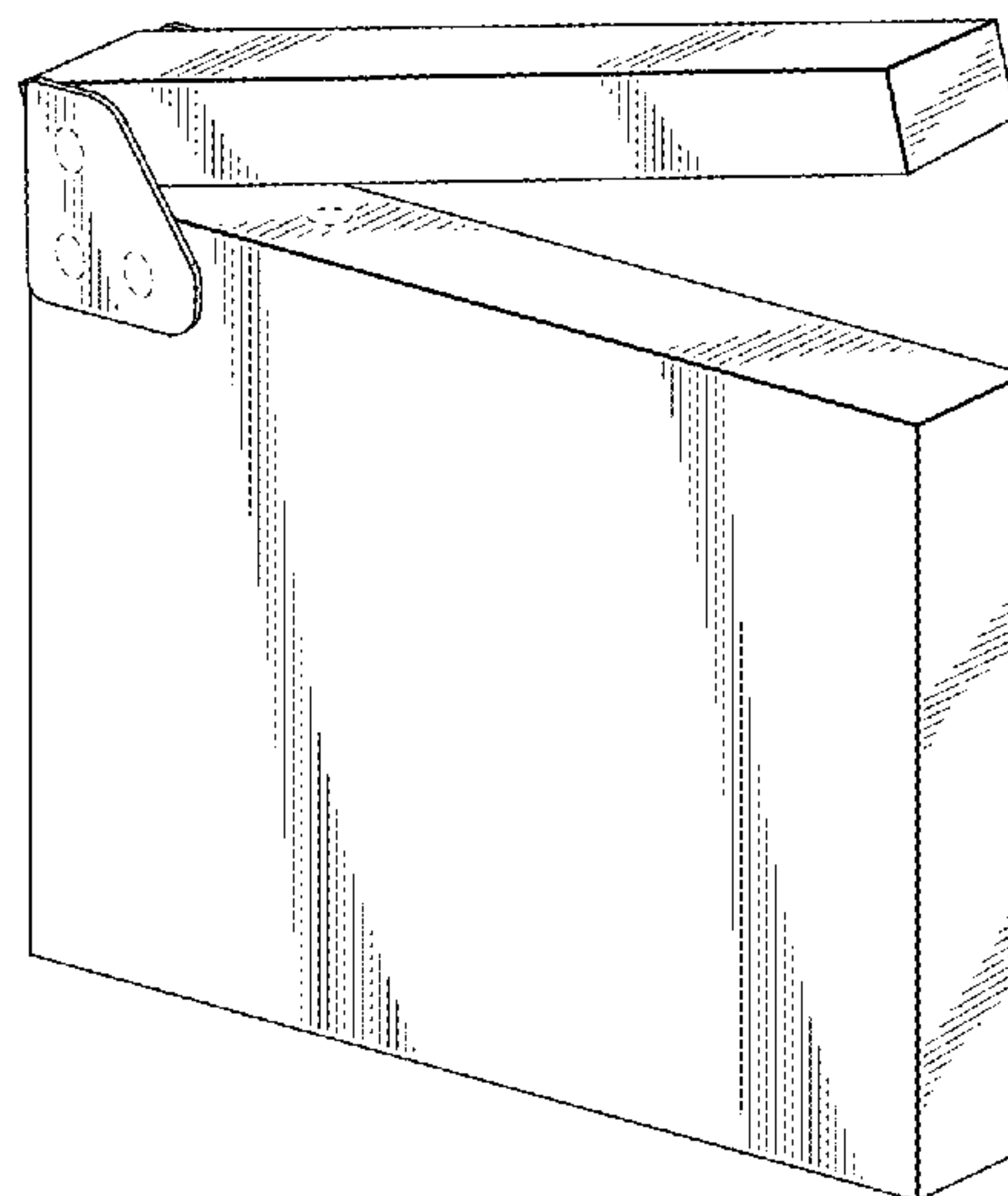
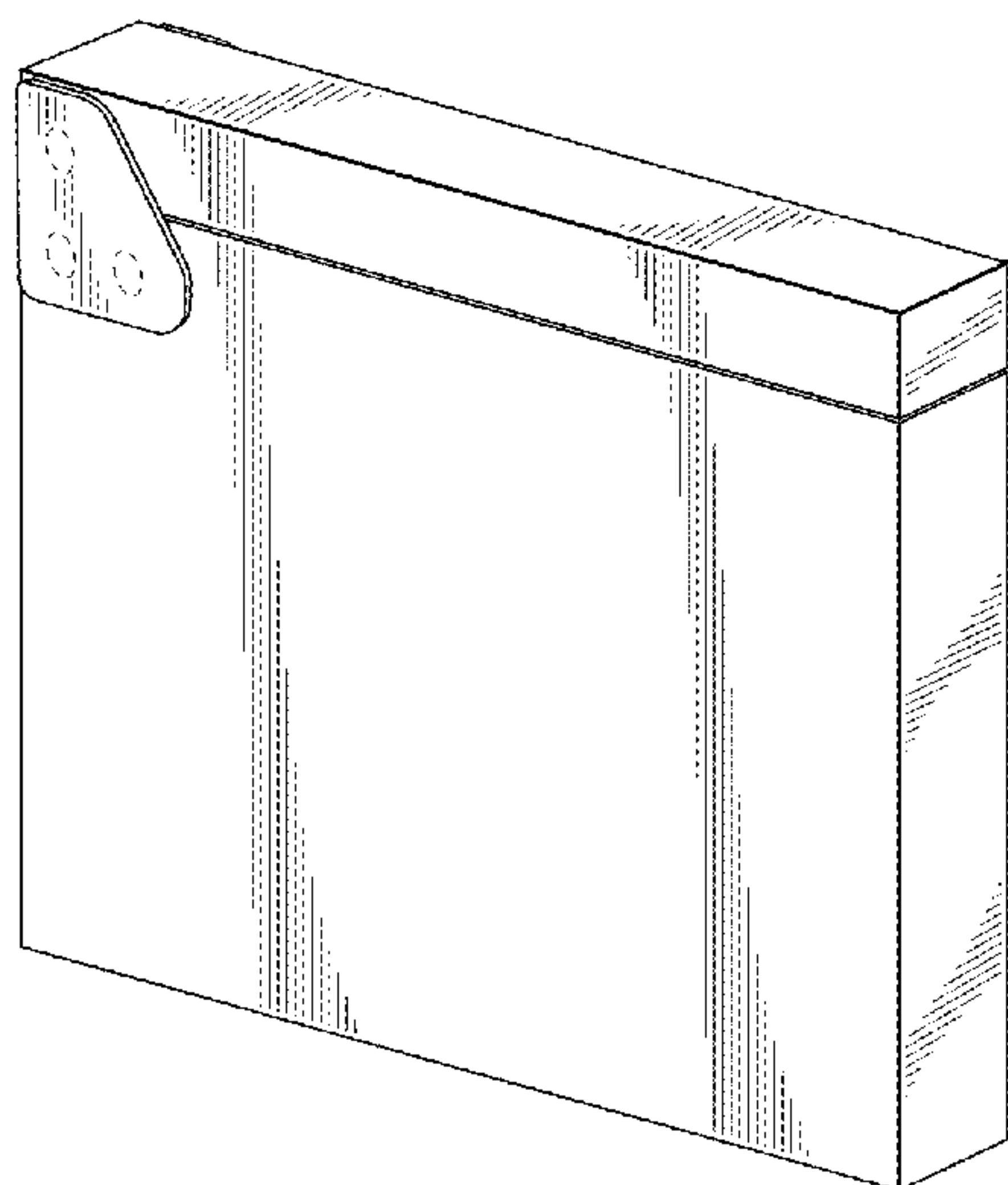
FIG. 5 is a first end view of the decorative light of FIG. 1.

FIG. 6 is a second end view of the decorative light of FIG. 1.

FIG. 7 is a top view of the decorative light of FIG. 1; and, FIG. 8 is a bottom view of the decorative light of FIG. 1.

The broken line disclosure represents portions of the light which forms no part of the claimed design.

1 Claim, 3 Drawing Sheets



(56)

References Cited

OTHER PUBLICATIONS

“Andoer Acrylic Clapboard Style Dry Erase Director Film Movie Clapper Board” www.Amazon.com, date placed on sale before Oct. 3, 2015 (Year: 2015).*

Clapper Board Alarm Clock; Manufacturer Unknown; Jul. 23, 2008; 1 pg.

* cited by examiner

FIG. 1

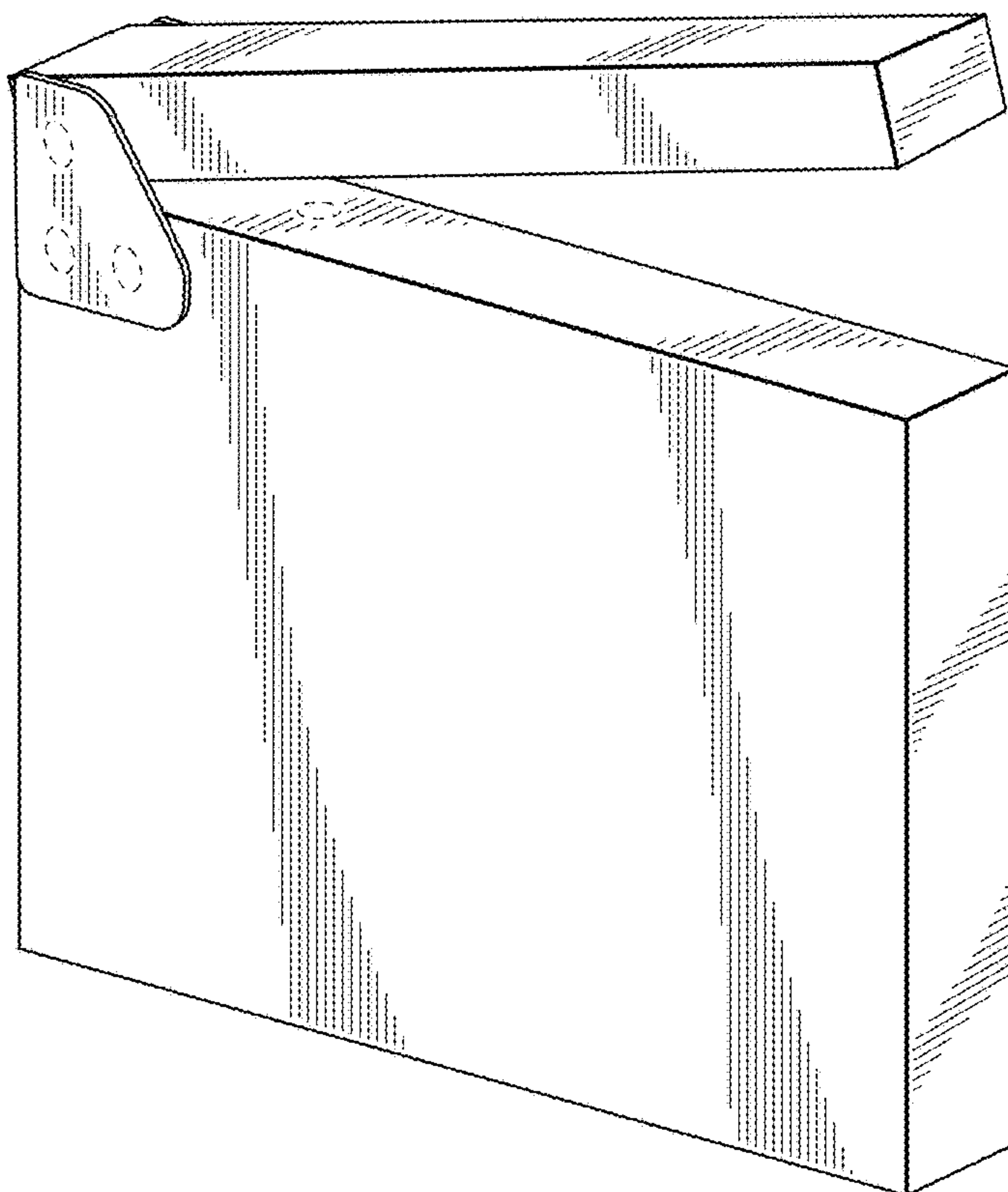
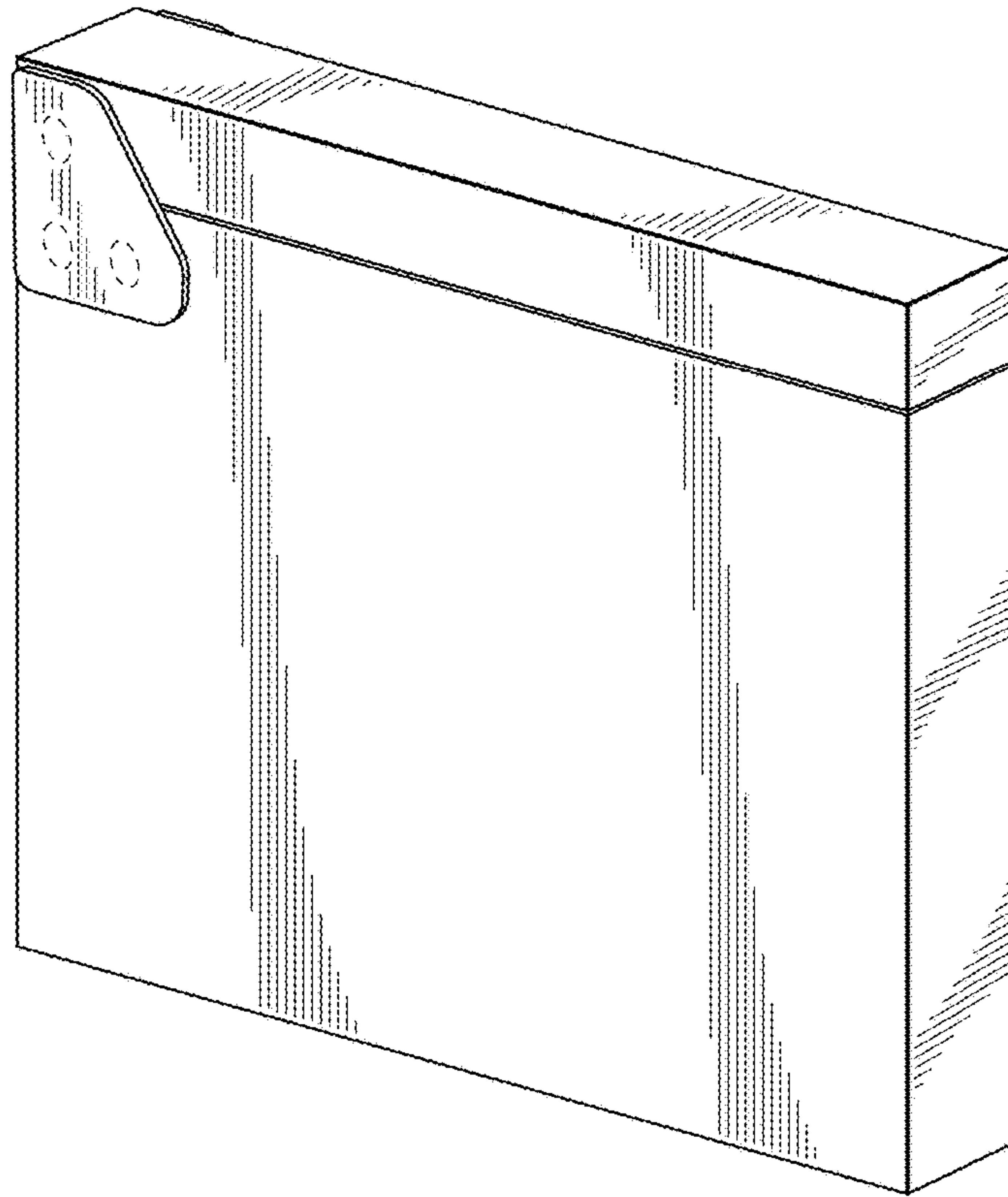


FIG. 2

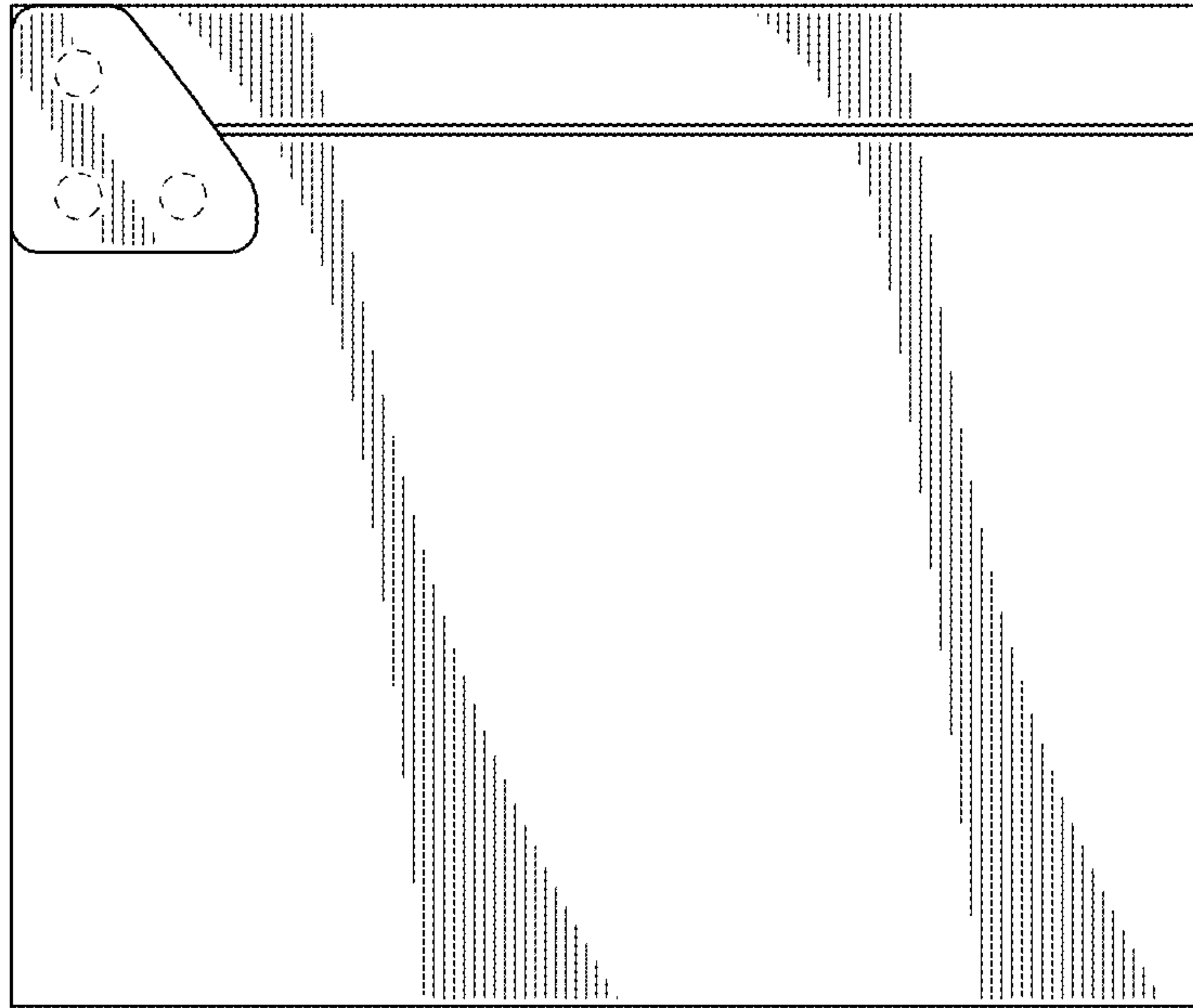


FIG. 3

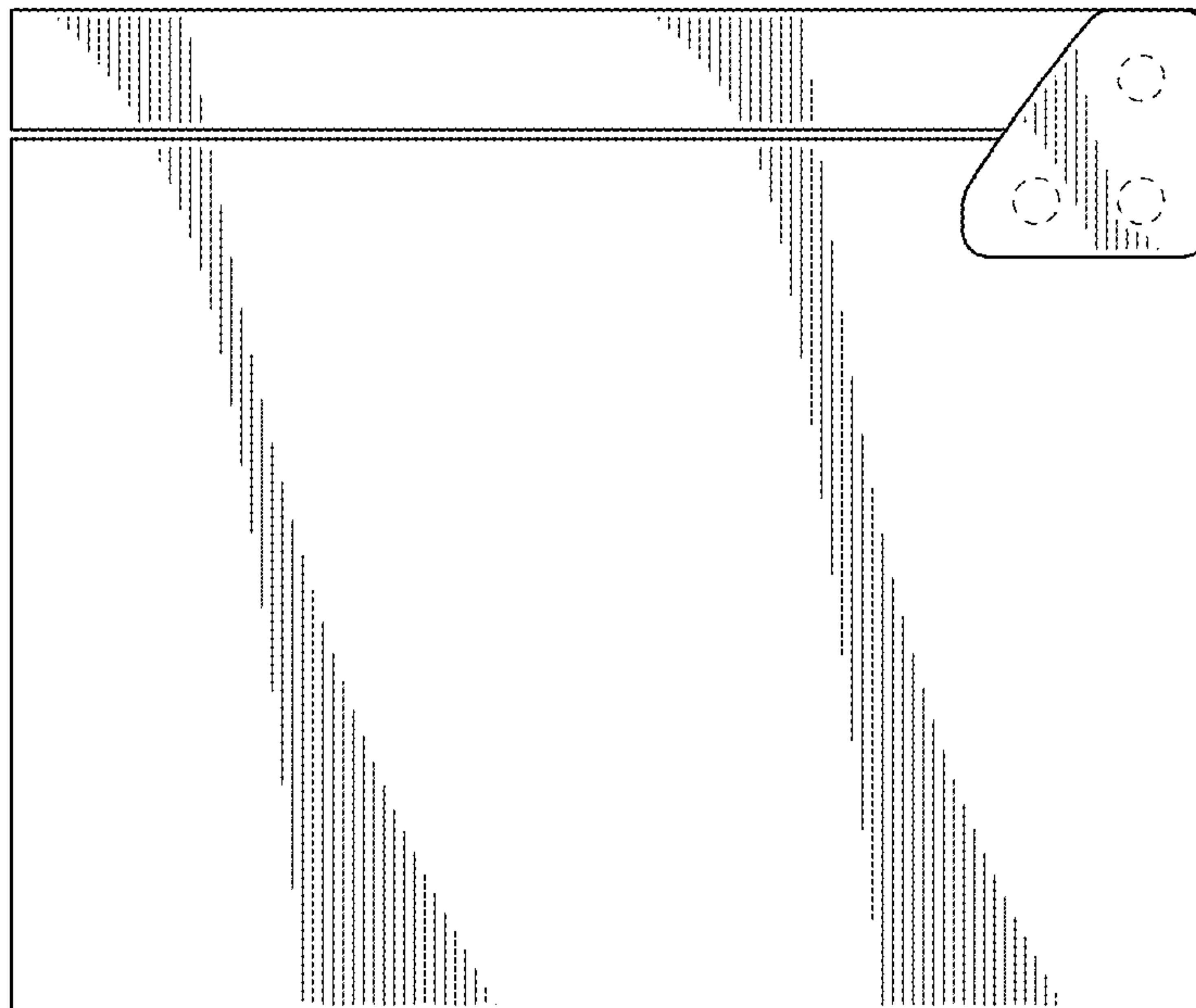


FIG. 4

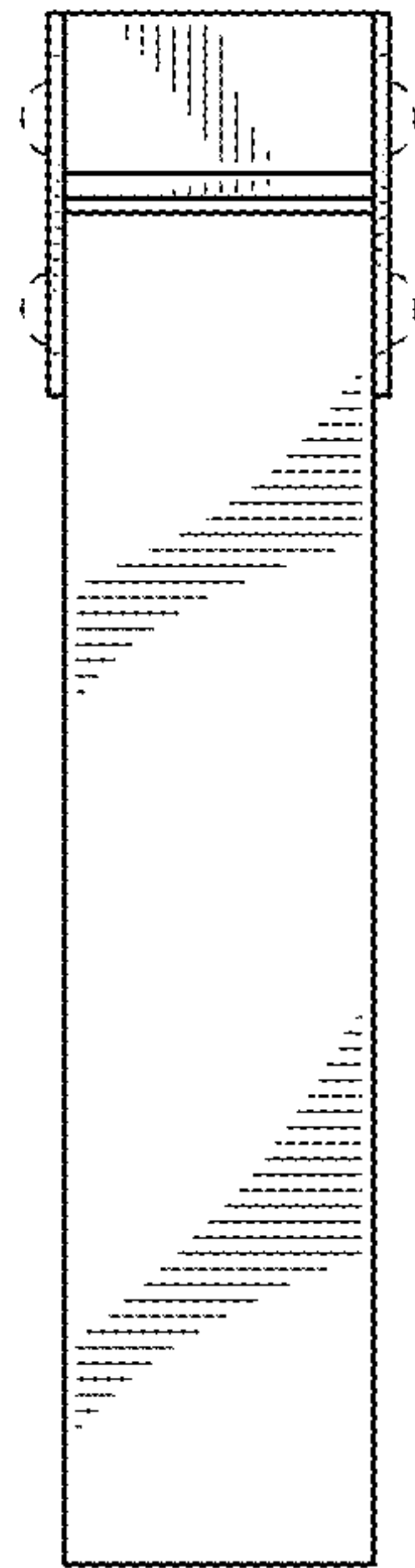


FIG. 5

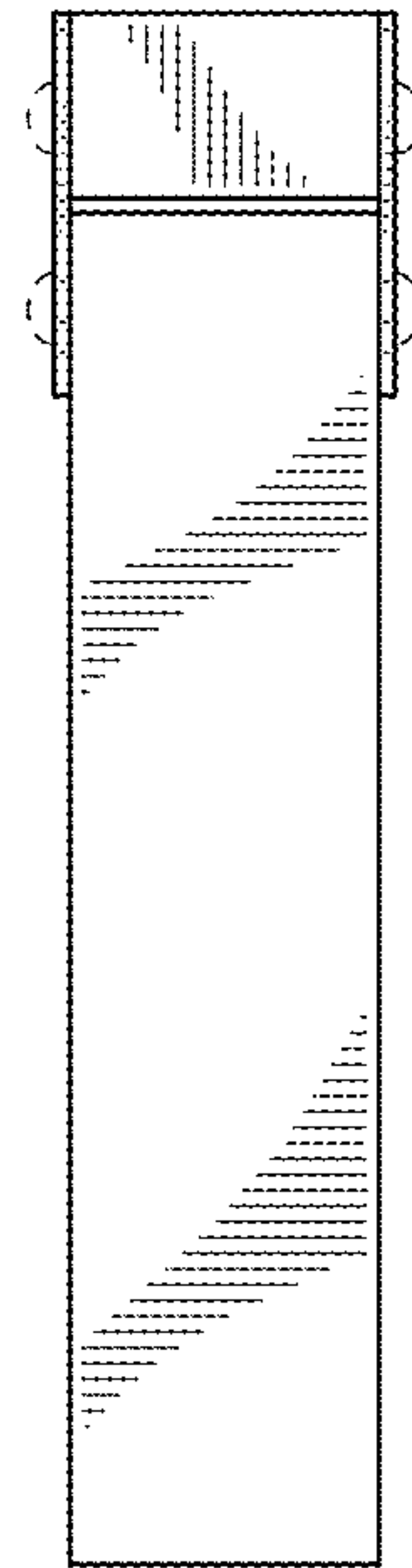


FIG. 6

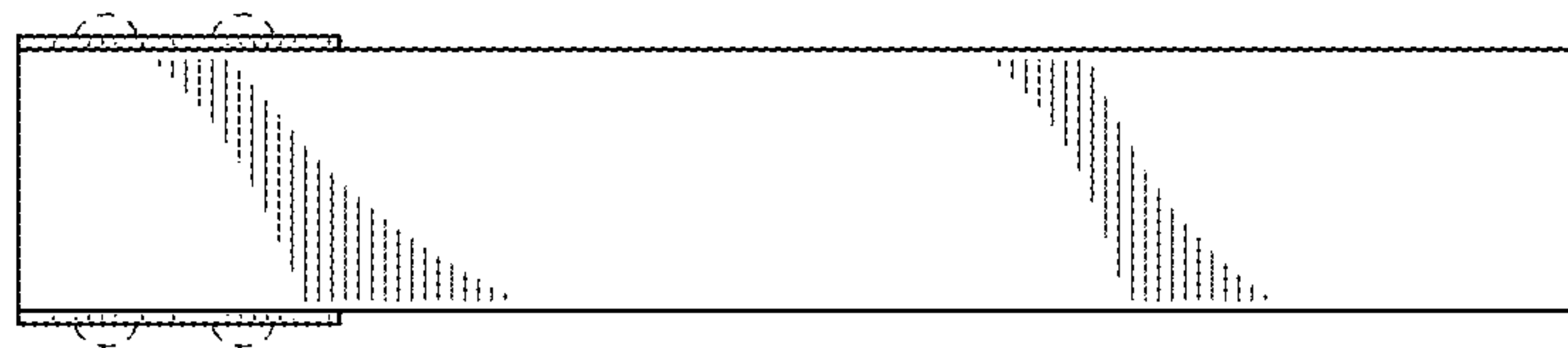


FIG. 7

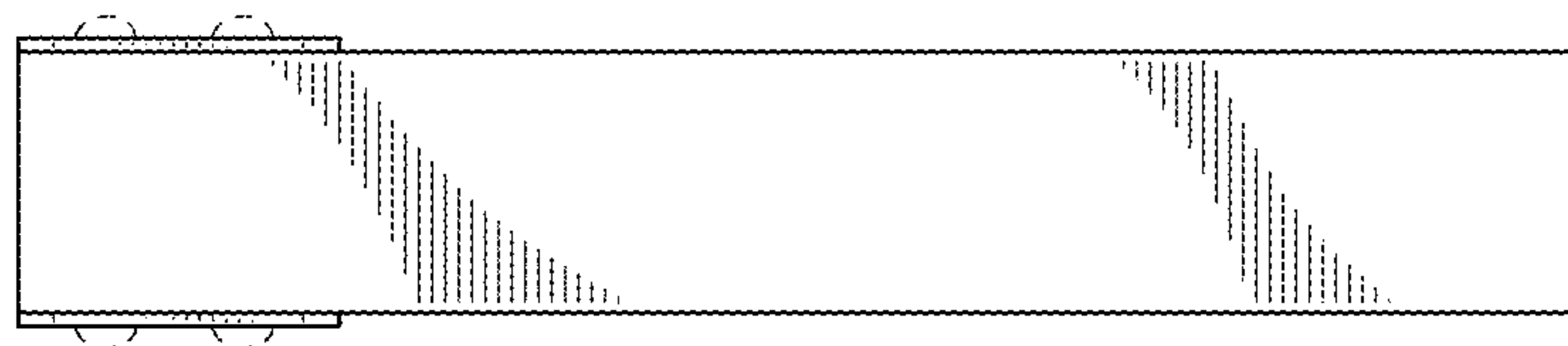


FIG. 8