



US00D817536S

(12) **United States Design Patent** (10) **Patent No.:** **US D817,536 S**  
**Torres Torres et al.** (45) **Date of Patent:** **\*\* May 8, 2018**

(54) **WALL LUMINAIRE**  
(71) Applicant: **LANDSCAPE FORMS, INC.**,  
Kalamazoo, MI (US)  
(72) Inventors: **Rodrigo Andres Torres Torres**,  
Chia-Cundinamarca (CO); **Efrain E. Velez**,  
Kalamazoo, MI (US)  
(73) Assignee: **LANDSCAPE FORMS, INC.**,  
Kalamazoo, MI (US)

D676,997 S \* 2/2013 Tang ..... D26/87  
D687,176 S \* 7/2013 Degn ..... D26/71  
D700,730 S \* 3/2014 Behar ..... D26/69  
D717,987 S \* 11/2014 Prommel ..... D26/70  
D734,522 S \* 7/2015 Coulbeaut ..... D26/63  
D743,609 S \* 11/2015 Verelst ..... D26/68  
D772,464 S \* 11/2016 Wu ..... D26/68  
D795,484 S \* 8/2017 Sonneman ..... D26/68  
D797,343 S \* 9/2017 Torres Torres ..... D26/68  
2014/0239717 A1\* 8/2014 Prommel ..... H02J 7/355  
307/18  
2015/0145698 A1\* 5/2015 Werner ..... H05B 37/0218  
340/928

(\*\*) Term: **15 Years**

**OTHER PUBLICATIONS**

(21) Appl. No.: **29/576,772**  
(22) Filed: **Sep. 7, 2016**  
(51) **LOC (11) Cl.** ..... **26-03**  
(52) **U.S. Cl.**  
USPC ..... **D26/85**  
(58) **Field of Classification Search**  
USPC ..... D26/63, 67-72, 85, 87, 92, 118  
CPC .. F21S 8/033; F21S 8/085; F21S 8/086; F21S  
8/068; F21S 9/03; F21S 9/037; F21W  
2131/103; F21W 2131/107; F21W  
2131/109  
See application file for complete search history.

Nagy street light, manufactured by Maset, designed by Joan Verdugo, printout available online on Aug. 25, 2016 at: <https://www.architonic.com/en/product/maset-nagy/1030569>, 1 page.

\* cited by examiner

*Primary Examiner* — Clare E Heflin  
(74) *Attorney, Agent, or Firm* — Heslin Rothenberg Farley & Mesiti P.C.

(56) **References Cited**

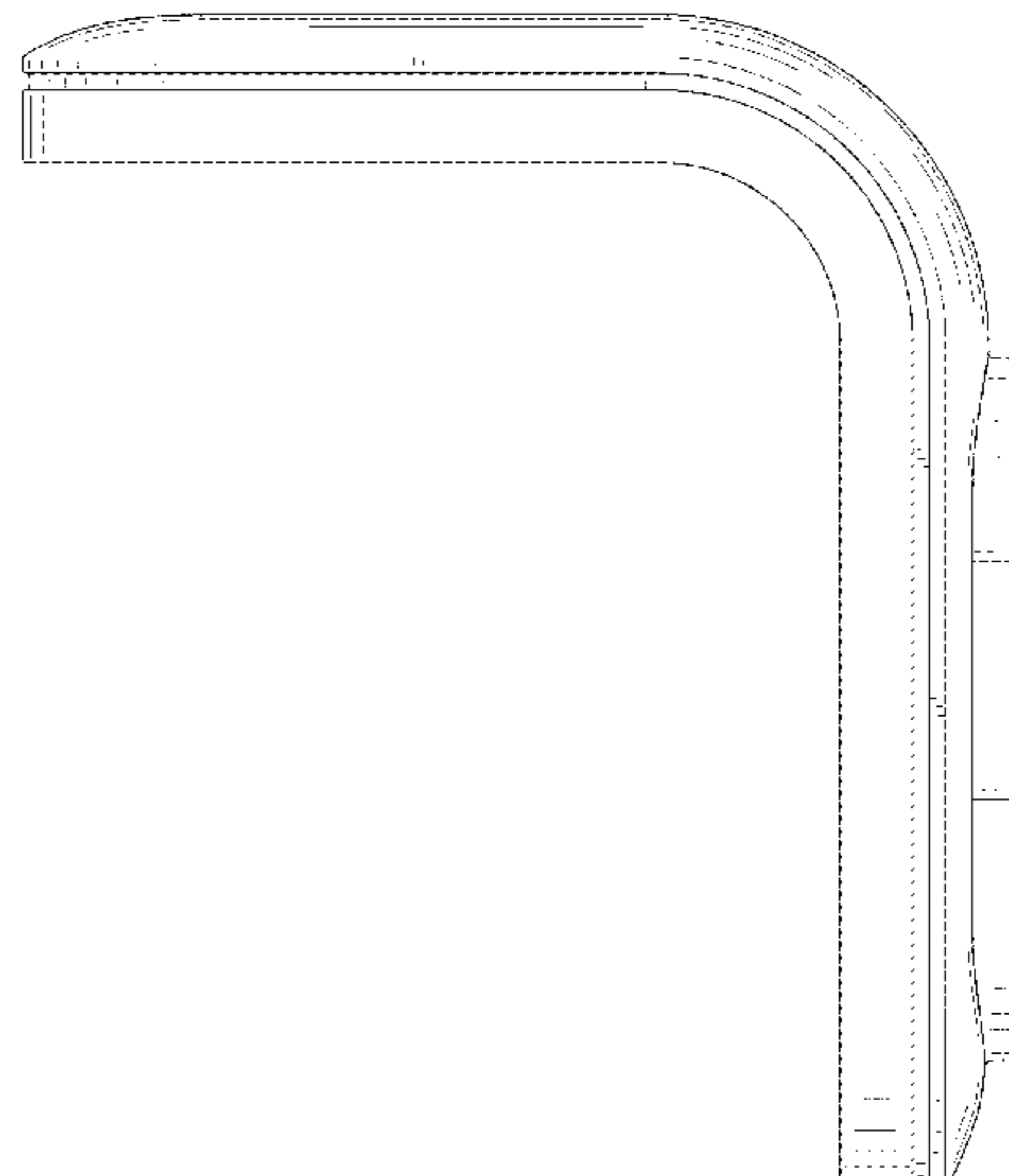
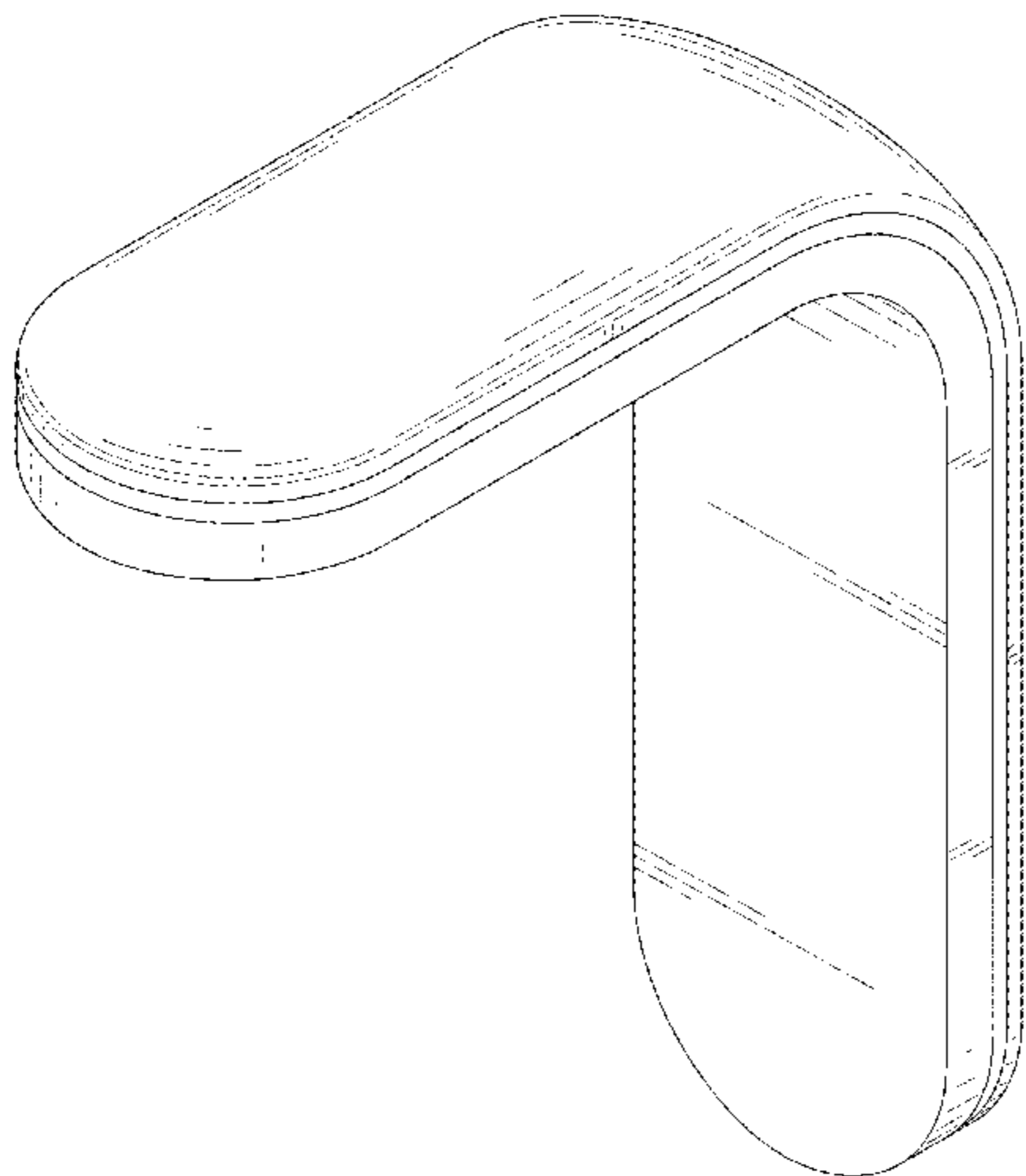
**DESCRIPTION**

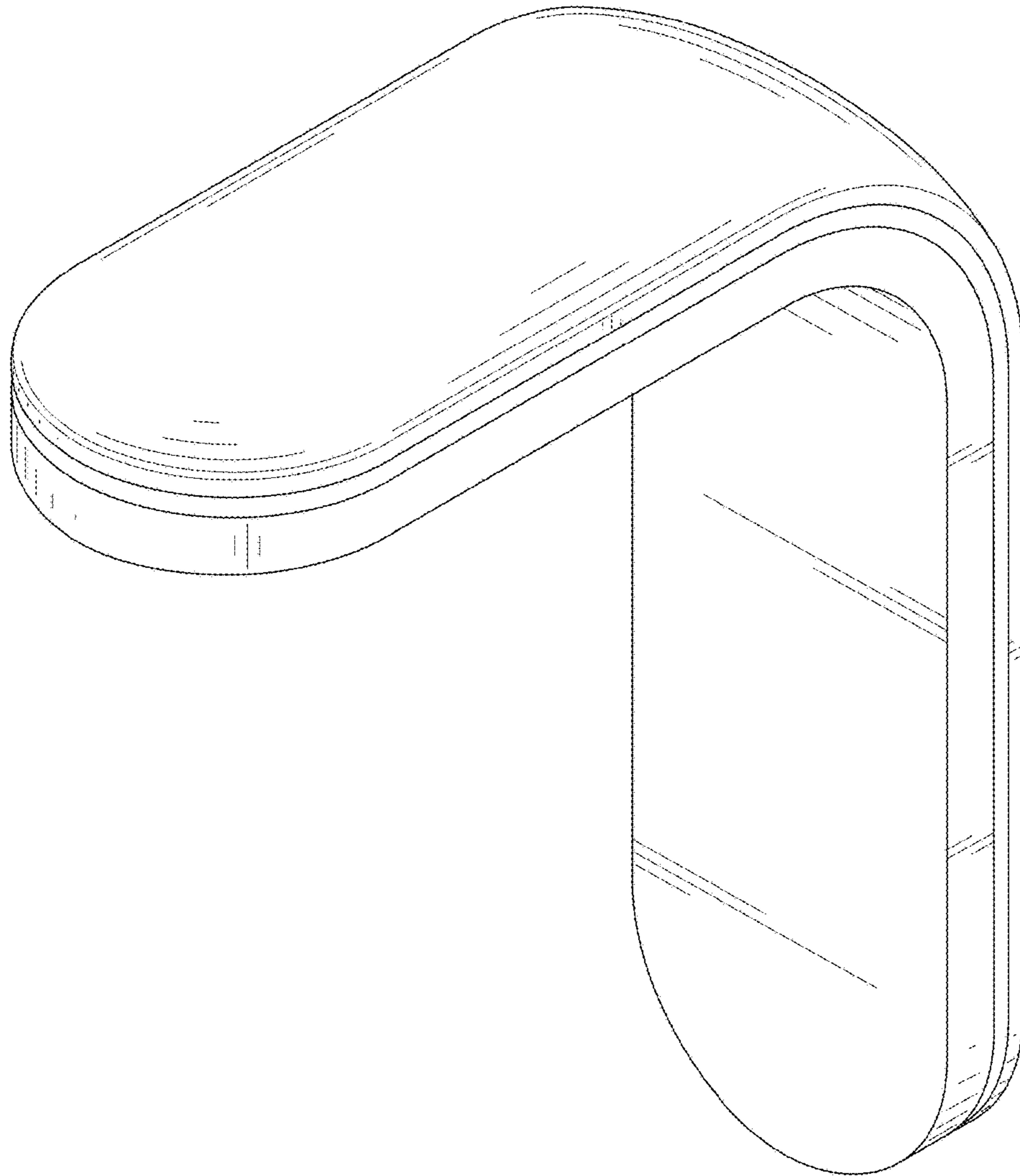
**U.S. PATENT DOCUMENTS**

D186,547 S \* 11/1959 Burton ..... D26/69  
D195,094 S \* 4/1963 Hiskey ..... D26/71  
D251,930 S \* 5/1979 Didone ..... D26/107  
D387,459 S \* 12/1997 Cool ..... D26/68  
D507,841 S \* 7/2005 Mendelsohn ..... D26/63  
D555,279 S \* 11/2007 Schneider ..... D26/71  
D600,847 S \* 9/2009 Wung ..... D26/71  
D620,171 S \* 7/2010 Pauschitz ..... D26/71  
D626,679 S \* 11/2010 Verelst ..... D26/85  
D643,139 S \* 8/2011 Sprengers ..... D26/68  
D659,274 S \* 5/2012 Valcarcel ..... D26/71  
D662,249 S \* 6/2012 Wauters ..... D26/85

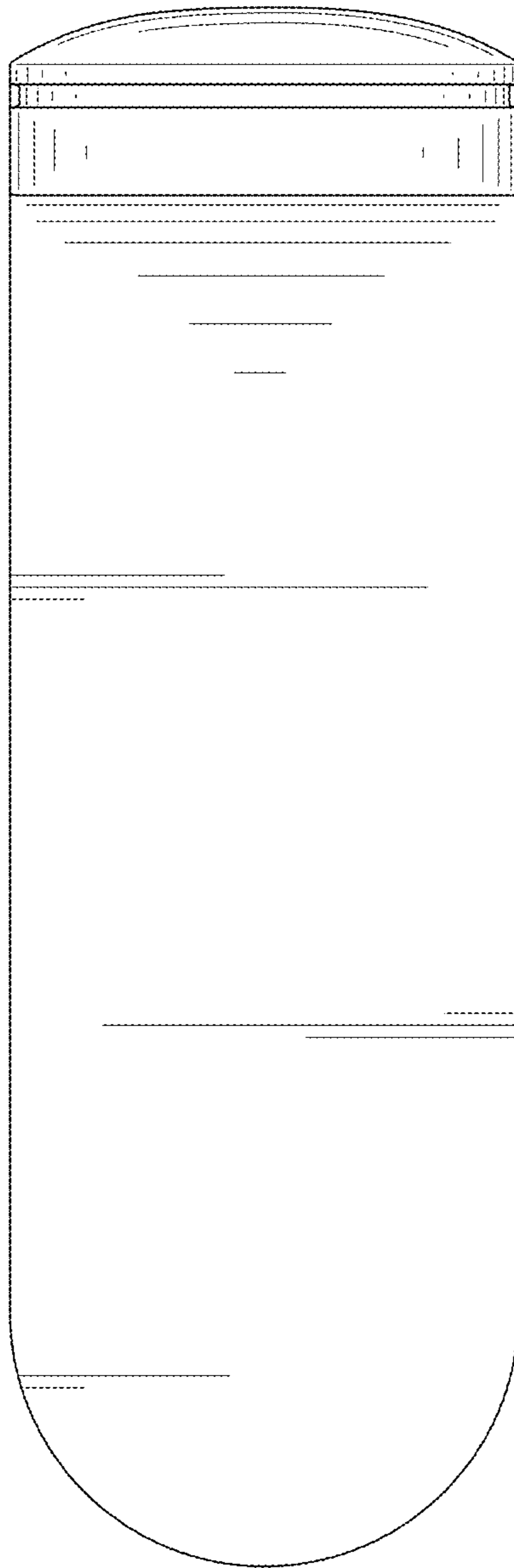
FIG. 1 is a perspective view of the wall luminaire of the present design;  
FIG. 2 is a front elevation view thereof;  
FIG. 3 is a rear elevation view thereof;  
FIG. 4 is a right side elevation view thereof, the left side elevation view being a mirror image thereof;  
FIG. 5 is top plan view thereof; and,  
FIG. 6 is a bottom plan view thereof.  
The broken lines in the figures illustrate portions of the wall luminaire that are not claimed.

**1 Claim, 5 Drawing Sheets**

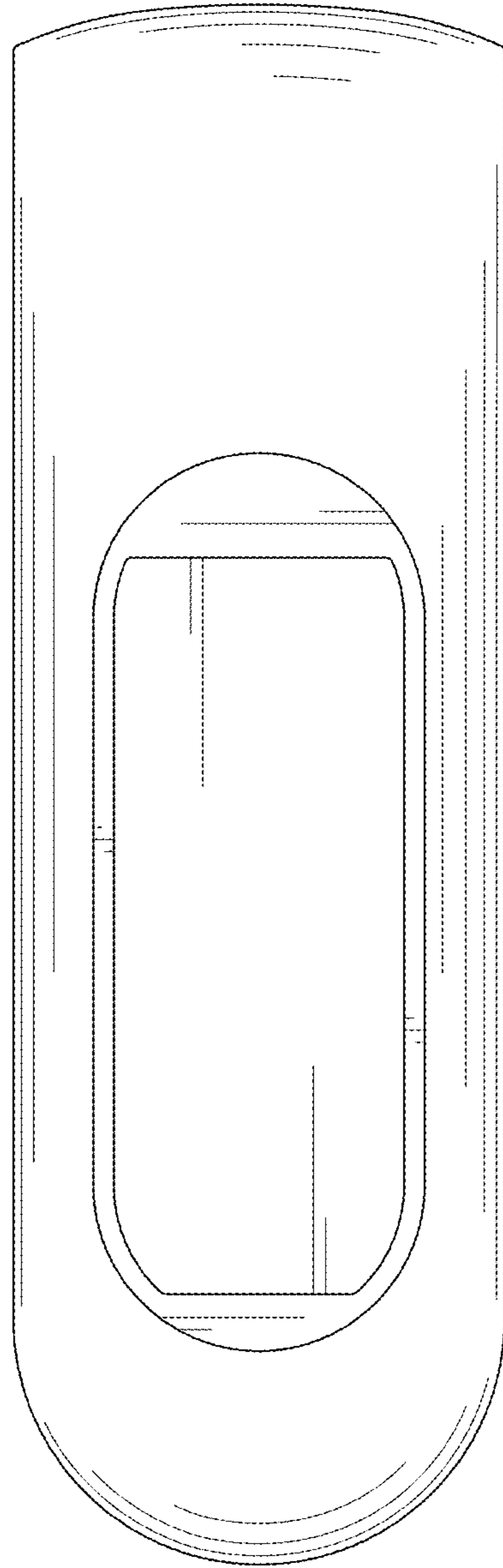




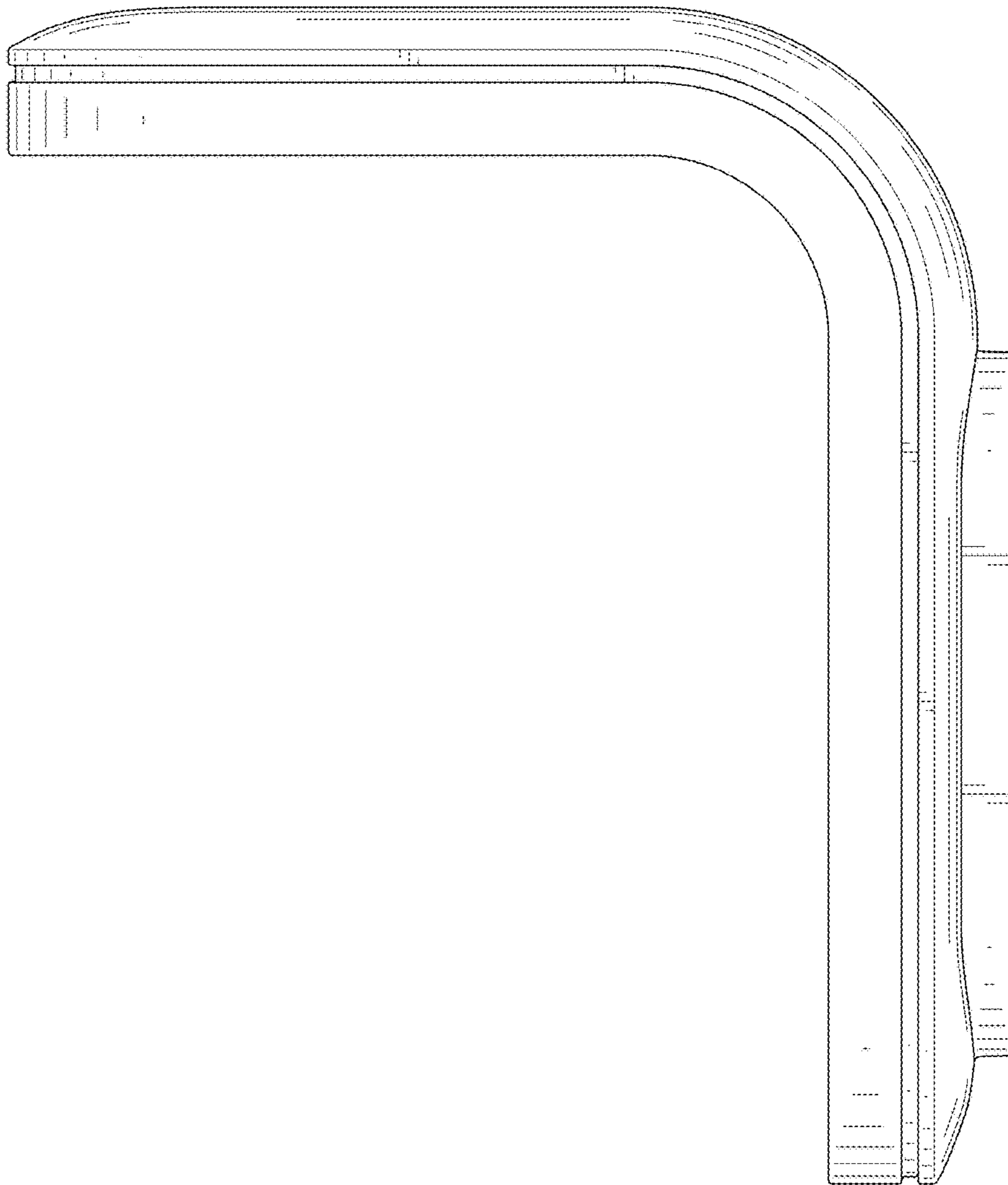
***FIG. 1***



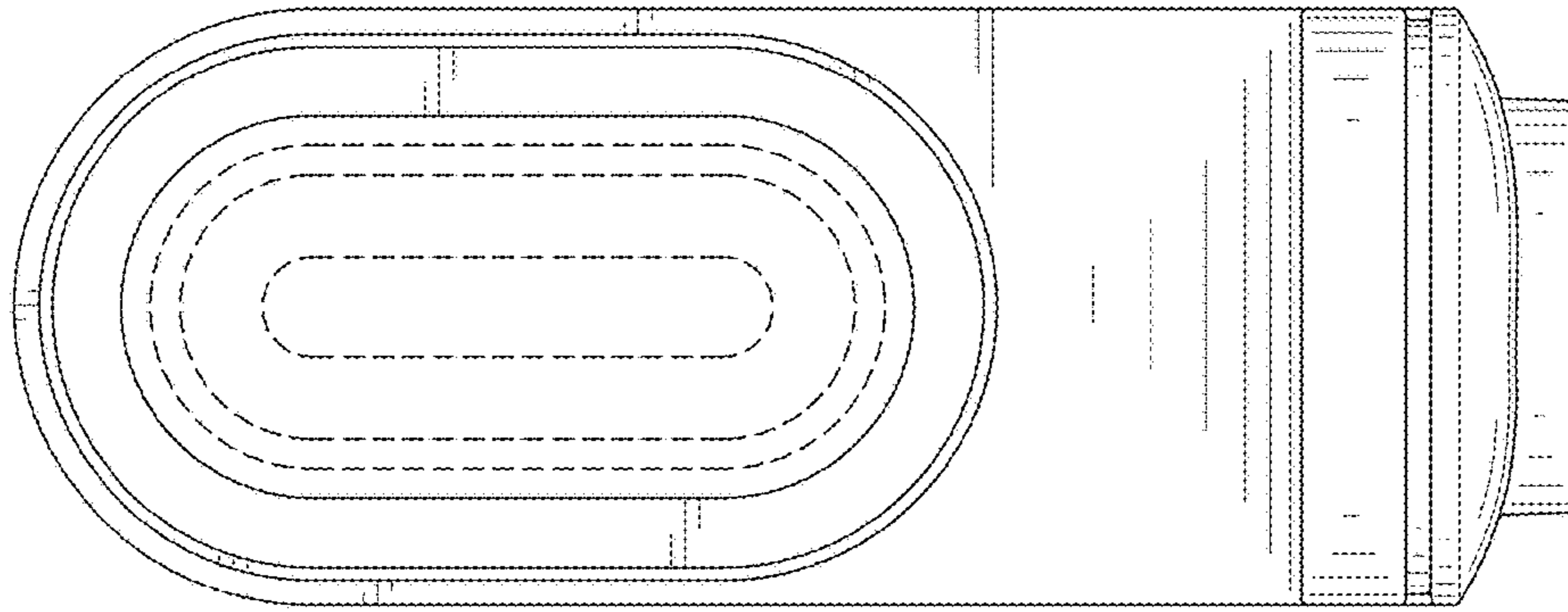
**FIG. 2**



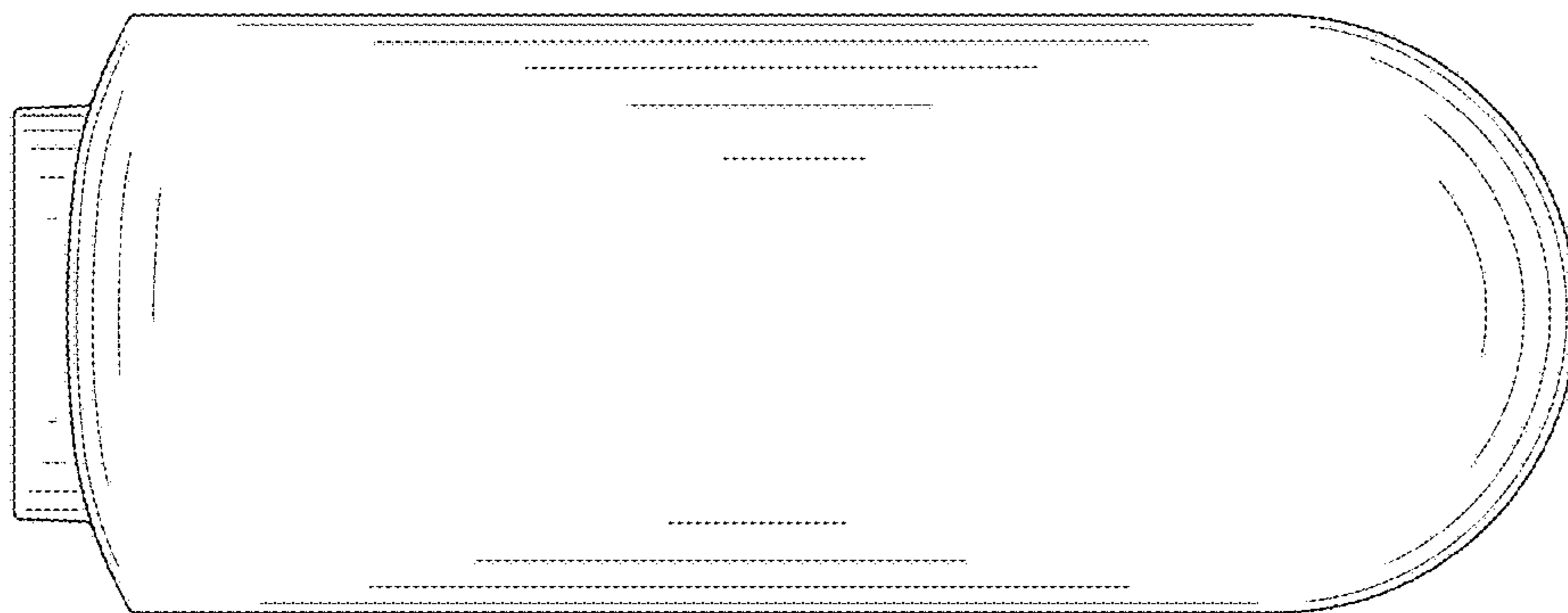
***FIG. 3***



**FIG. 4**



**FIG. 5**



**FIG. 6**