



US00D817535S

(12) **United States Design Patent** (10) **Patent No.:** **US D817,535 S**
Feng et al. (45) **Date of Patent:** **** May 8, 2018**

(54) **EXPLOSION-PROOF LAMP** 9,016,892 B1 * 4/2015 Scribante F21V 29/763
362/222
(71) Applicant: **Shanghai Qinsun Electric Co., Ltd.,** D744,690 S * 12/2015 Boyer D26/76
Shanghai (CN) D776,854 S * 1/2017 Baumeister D26/76
D780,974 S * 3/2017 Scribante D26/76
(72) Inventors: **Mingshan Feng,** Shanghai (CN); D785,229 S * 4/2017 Noh D26/76
Youshan Zhou, Shanghai (CN); D790,947 S * 7/2017 Key D8/315
Xiaozhou Qi, Shanghai (CN); **Min Xia,** D793,603 S * 8/2017 Parker D26/76
Shanghai (CN) 2017/0097152 A1 * 4/2017 Scribante F21V 29/83

(73) Assignee: **SHANGHAI QINSUN ELECTRIC CO., LTD.,** Shanghai (CN)
(**) Term: **15 Years**

(21) Appl. No.: **29/599,954**
(22) Filed: **Apr. 7, 2017**

(30) **Foreign Application Priority Data**
Nov. 30, 2016 (CN) 2016 3 0585579

(51) **LOC (11) Cl.** **26-04**
(52) **U.S. Cl.**
USPC **D26/76**

(58) **Field of Classification Search**
USPC D26/76, 78, 79, 80, 81, 82, 83, 85, 86,
D26/88, 90, 113, 118, 119, 120, 121, 122,
D26/138, 139, 140, 141, 142, 152
CPC F21S 2/00; F21S 4/00; F21S 4/003; F21S
4/005; F21S 4/006; F21S 4/007; F21S
4/008; F21S 6/00; F21S 8/00; F21S
8/024; F21S 8/026; F21S 8/031; F21S
8/033; F21S 8/035-8/037; F21S 8/04;
F21S 8/043; F21S 8/063
See application file for complete search history.

(56) **References Cited**
U.S. PATENT DOCUMENTS
D244,561 S * 5/1977 Dacal D26/24
D466,244 S * 11/2002 Lewis D26/76

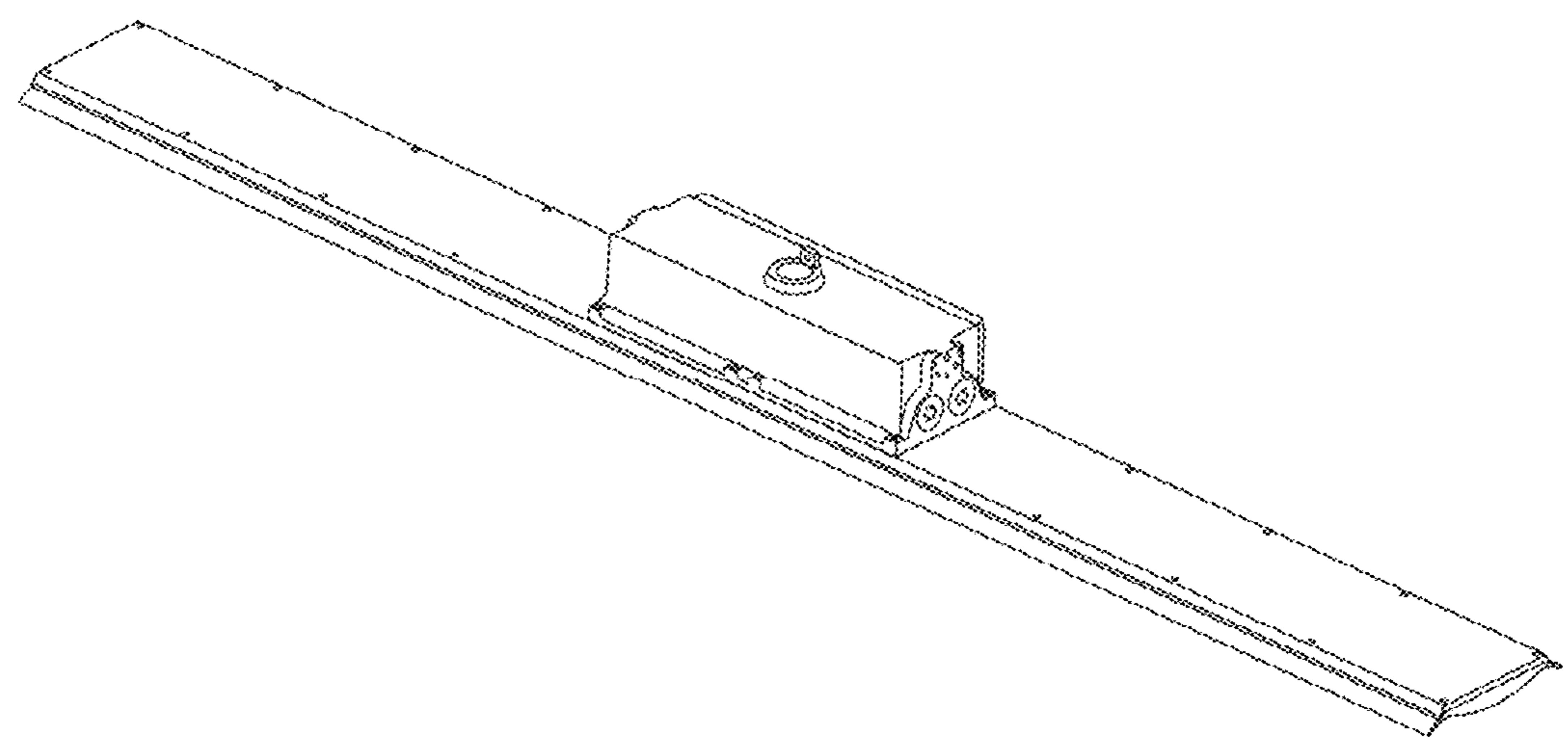
FOREIGN PATENT DOCUMENTS
CN 303998757 S 1/2017
CN 206036697 U 3/2017
CN 206036820 U 3/2017

* cited by examiner
Primary Examiner — George D. Kirschbaum
Assistant Examiner — Natasha Vujcic
(74) *Attorney, Agent, or Firm* — Ware, Fressola, Maguire & Barber LLP

(57) **CLAIM**
The ornamental design for an explosion-proof lamp, as shown and described.

DESCRIPTION
FIG. 1 is a front view of an explosion-proof lamp showing our new design;
FIG. 2 is a back view thereof;
FIG. 3 is a right side view thereof;
FIG. 4 is a left side view thereof;
FIG. 5 is a perspective view thereof;
FIG. 6 is a bottom plan view thereof; and,
FIG. 7 is a top plan view thereof.

1 Claim, 4 Drawing Sheets



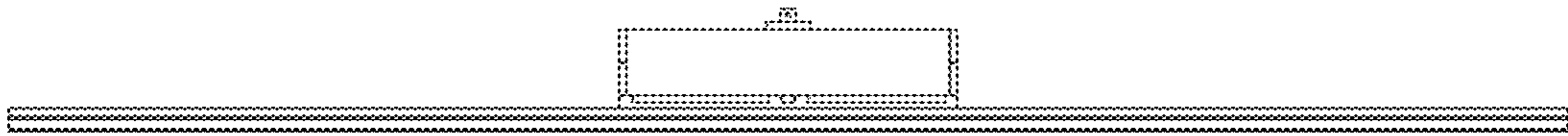


FIG. 1

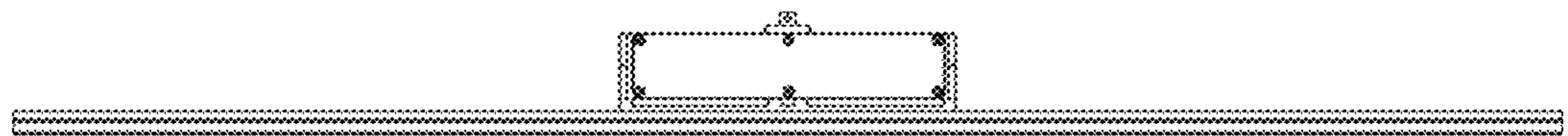


FIG. 2

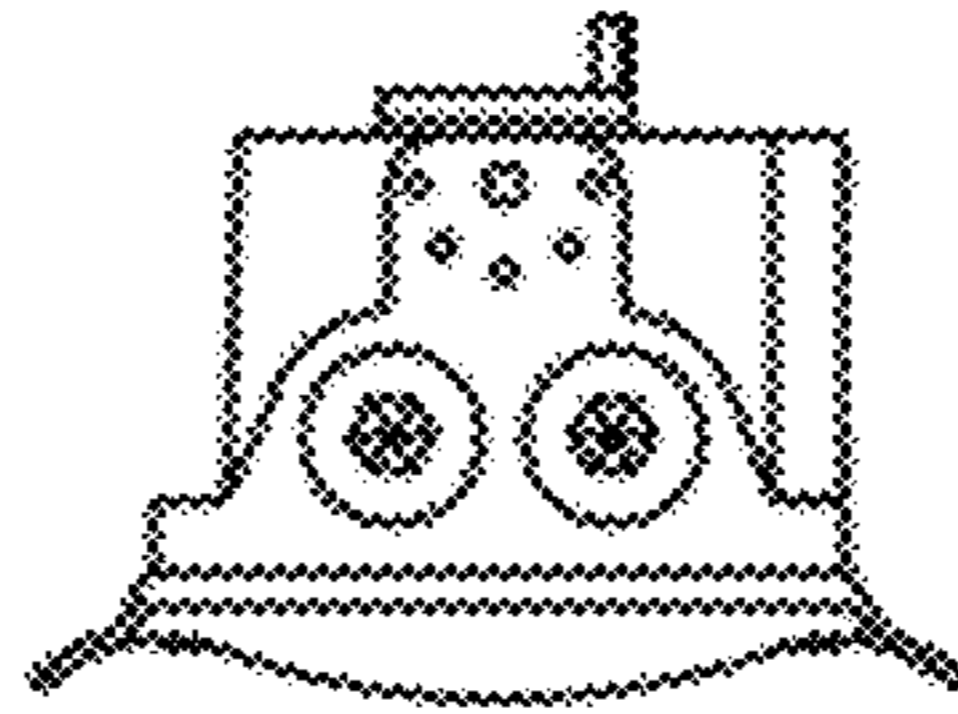


FIG. 3

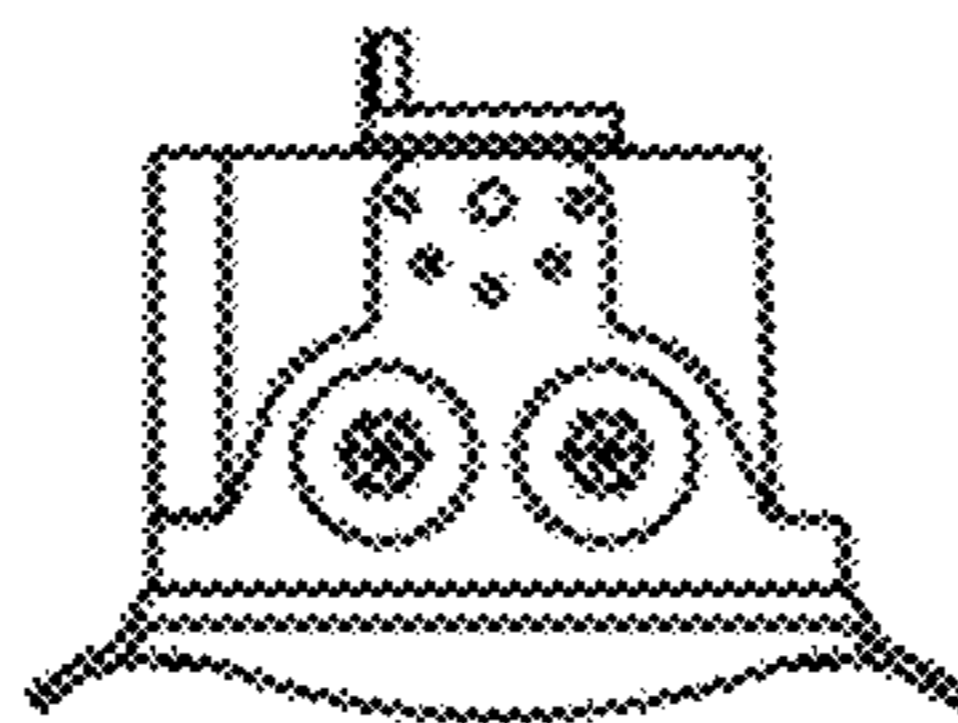


FIG. 4

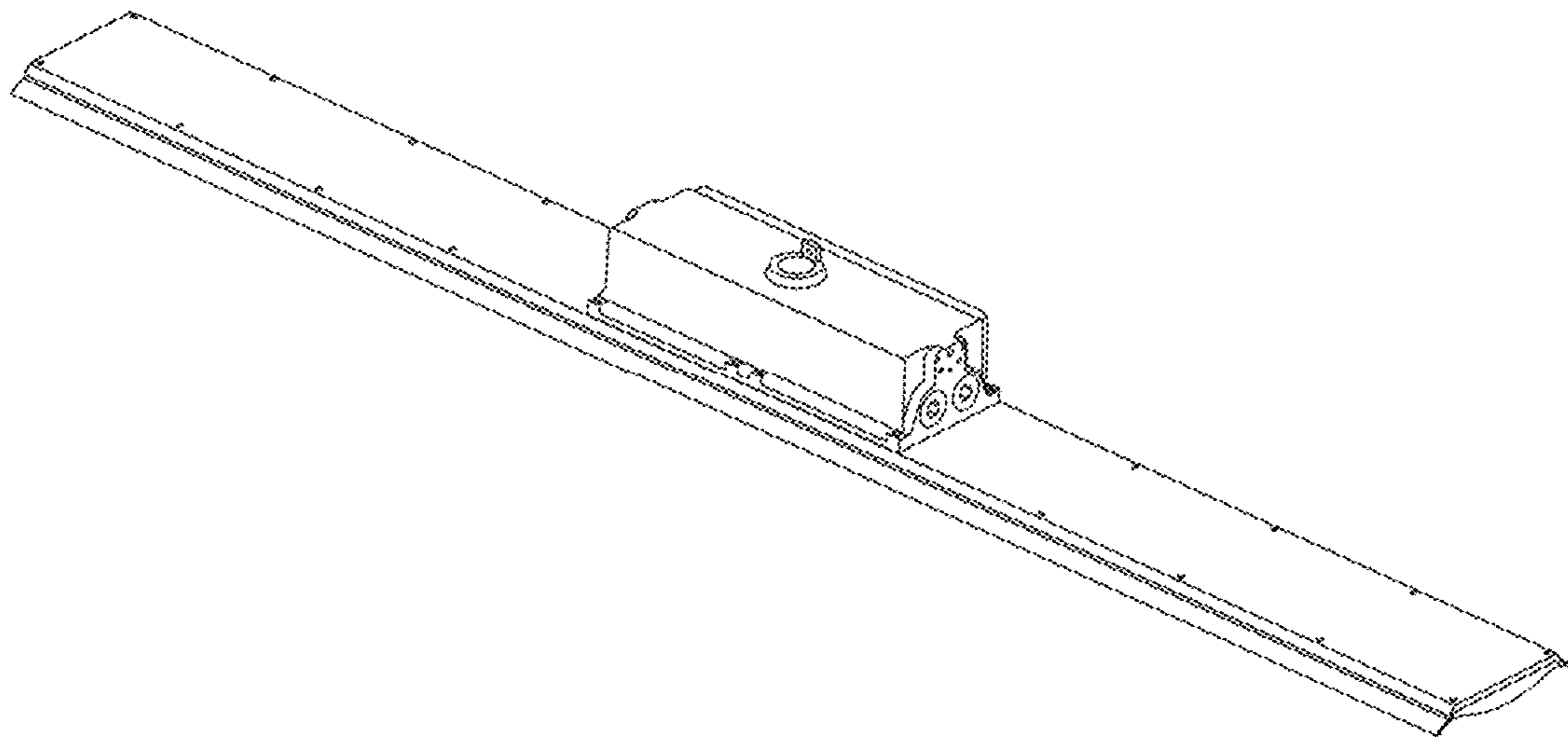


FIG. 5

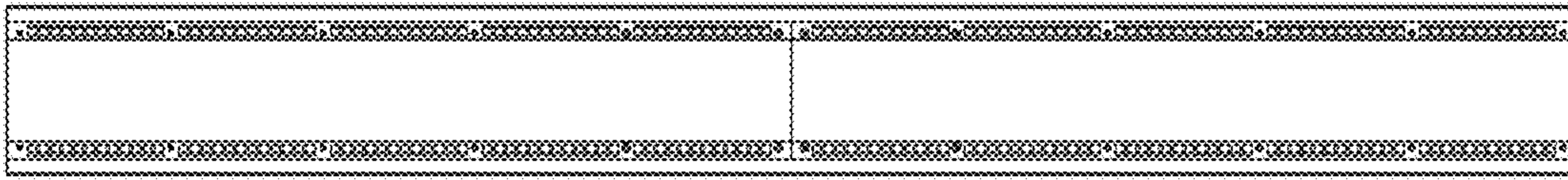


FIG. 6

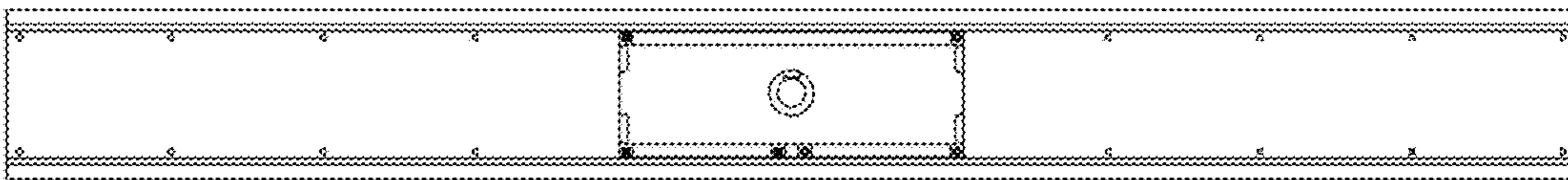


FIG. 7