



US00D817534S

(12) **United States Design Patent** (10) **Patent No.:** **US D817,534 S**
Noh et al. (45) **Date of Patent:** **** May 8, 2018**

- (54) **LIGHTING APPARATUS**
- (71) Applicant: **FEELUX CO., LTD.**, Yangju-si, Gyeonggi-do (KR)
- (72) Inventors: **Si Chung Noh**, Yangju-si (KR); **Dae Ouk Bae**, Seoul (KR); **Jun Jang**, Seoul (KR); **Beom Yeon Cho**, Seoul (KR)
- (73) Assignee: **FEELUX CO., LTD**, Yangju-si, Gyeonggi-do (KR)
- (**) Term: **15 Years**
- (21) Appl. No.: **29/580,988**
- (22) Filed: **Oct. 14, 2016**

Related U.S. Application Data

- (63) Continuation of application No. 29/530,871, filed on Jun. 19, 2015, now Pat. No. Des. 785,229.
- (51) **LOC (11) Cl.** **26-04**
- (52) **U.S. Cl.**
USPC **D26/76**
- (58) **Field of Classification Search**
USPC D26/76, 78, 79, 80, 81, 82, 83, 85, 86, D26/88, 90, 113, 118, 119, 120, 121, 122, D26/138, 139, 140, 141, 142, 152
CPC F21S 2/00; F21S 4/00; F21S 4/003; F21S 4/005; F21S 4/006; F21S 4/007; F21S 4/008; F21S 6/00; F21S 8/00; F21S 8/024; F21S 8/026; F21S 8/031; F21S 8/033; F21S 8/035-8/037; F21S 8/04; F21S 8/043; F21S 8/063
See application file for complete search history.

(56) **References Cited**

U.S. PATENT DOCUMENTS

- D521,173 S * 5/2006 Noh D26/78
- D526,737 S * 8/2006 Noh D26/75

- D554,796 S * 11/2007 Noh D26/138
- D605,809 S * 12/2009 Noh D26/76
- D608,928 S * 1/2010 Noh D26/76
- D729,423 S 5/2015 Noh et al.
- D776,854 S * 1/2017 Baumeister D26/76
- D785,229 S * 4/2017 Noh D26/76
- D793,603 S * 8/2017 Parker D26/76
- 2012/0092875 A1 * 4/2012 Cho F21S 2/005
362/311.01
- 2014/0112001 A1 * 4/2014 Noh F21V 23/02
362/311.01
- 2016/0356470 A1 * 12/2016 Noh F21V 21/005

* cited by examiner

Primary Examiner — George D. Kirschbaum

Assistant Examiner — Natasha Vujcic

(74) *Attorney, Agent, or Firm* — Novick, Kim & Lee, PLLC; Sang Ho Lee

(57) **CLAIM**

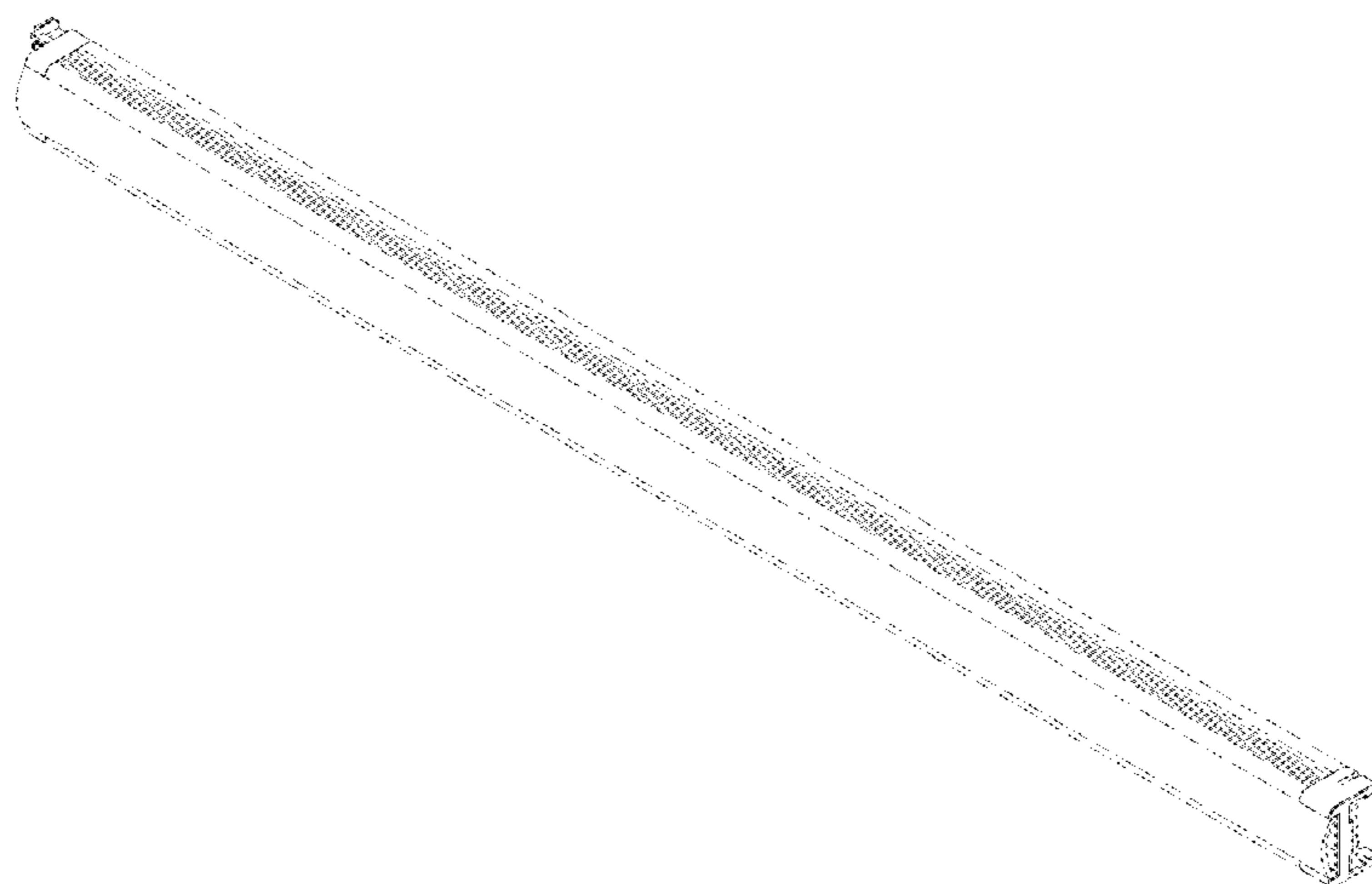
We claim the ornamental design for a lighting apparatus, as shown and described.

DESCRIPTION

FIG. 1 is a front right perspective view of a lighting apparatus, showing our new design;
 FIG. 2 is a front elevational view thereof;
 FIG. 3 is a rear elevational view thereof;
 FIG. 4 is an enlarged left side elevational view thereof;
 FIG. 5 is an enlarged right side elevational view thereof;
 FIG. 6 is a top plan view thereof;
 FIG. 7 is a bottom plan view thereof;
 FIG. 8 is a front left perspective view thereof;
 FIG. 9 is an enlarged portion of the front left perspective view thereof; and,
 FIG. 10 is an enlarged portion of the rear right perspective view thereof.

The broken lines in the drawings illustrate portions of the lighting apparatus which forms no part of the claimed design.

1 Claim, 9 Drawing Sheets



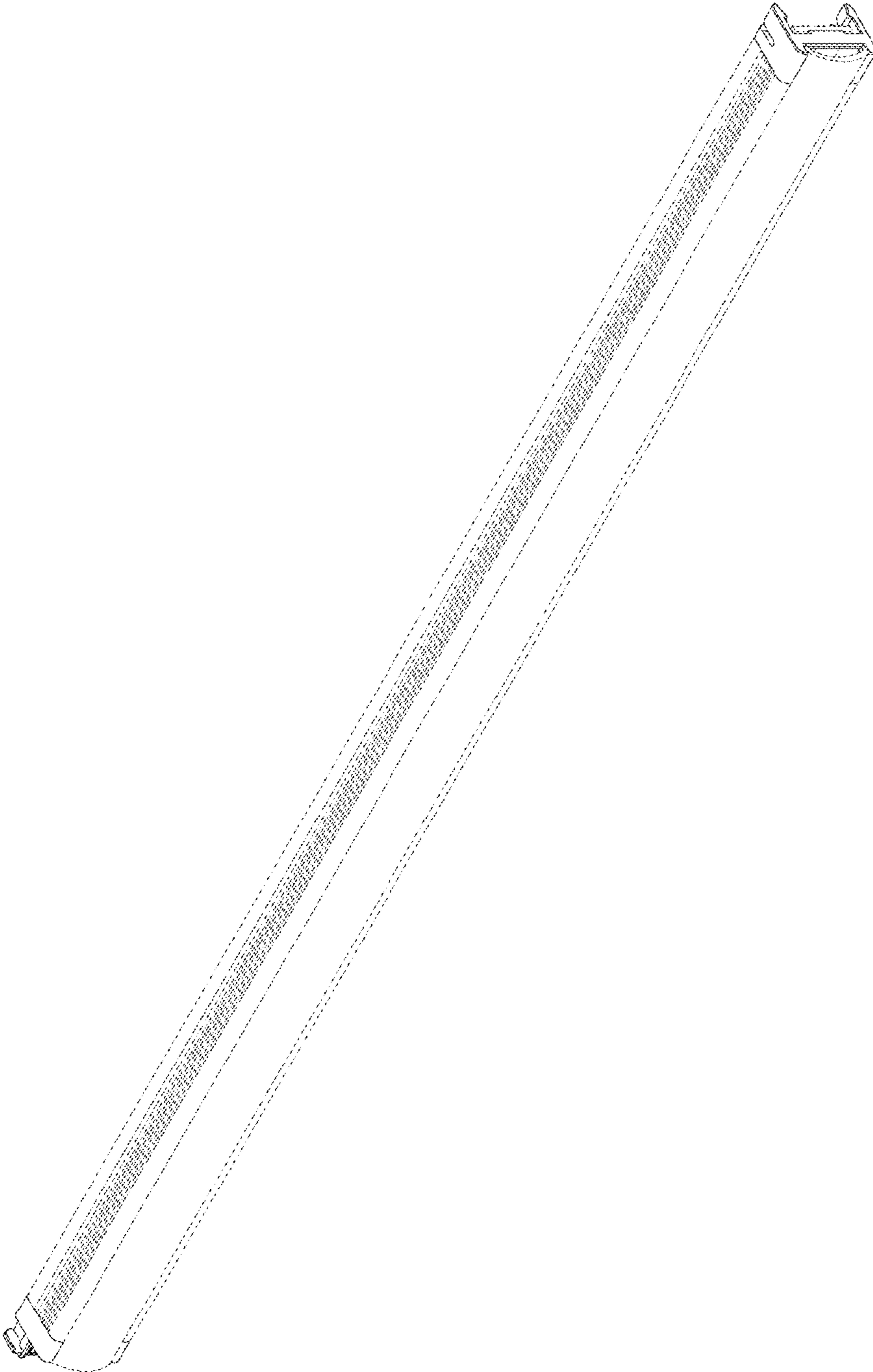


FIG. 1

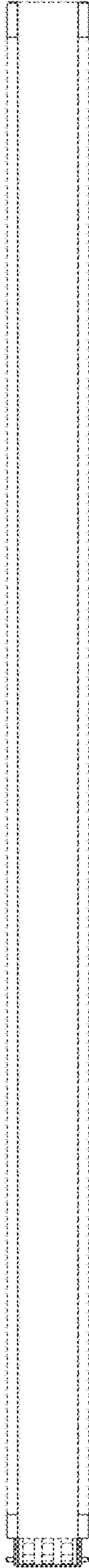


FIG. 2

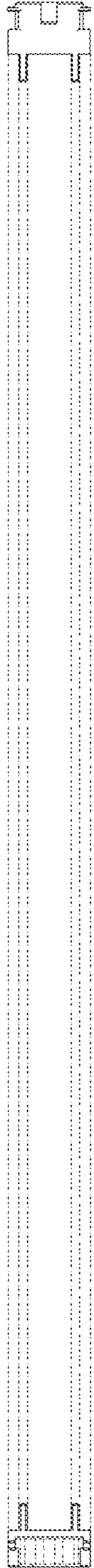


FIG. 3

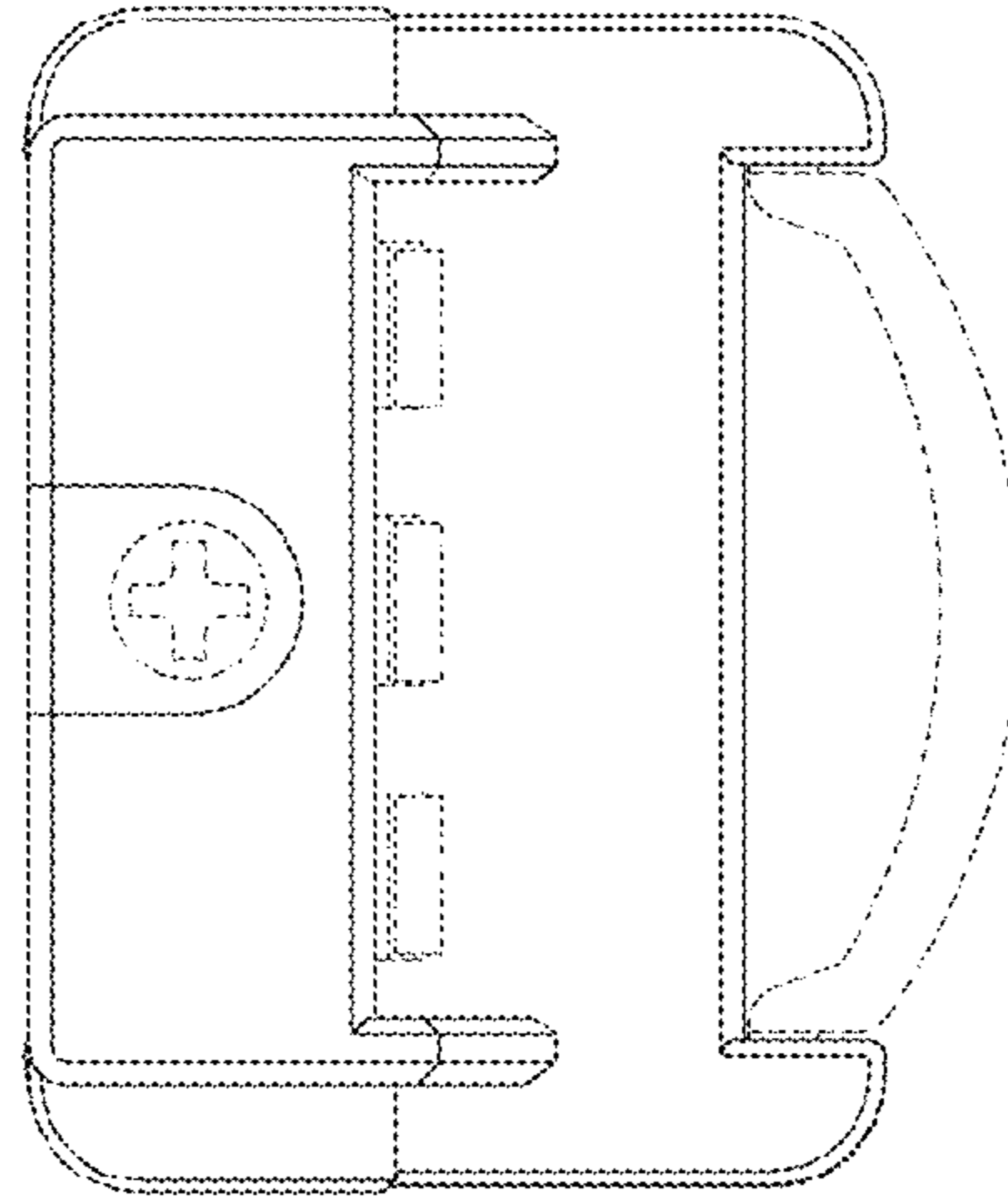


FIG. 4

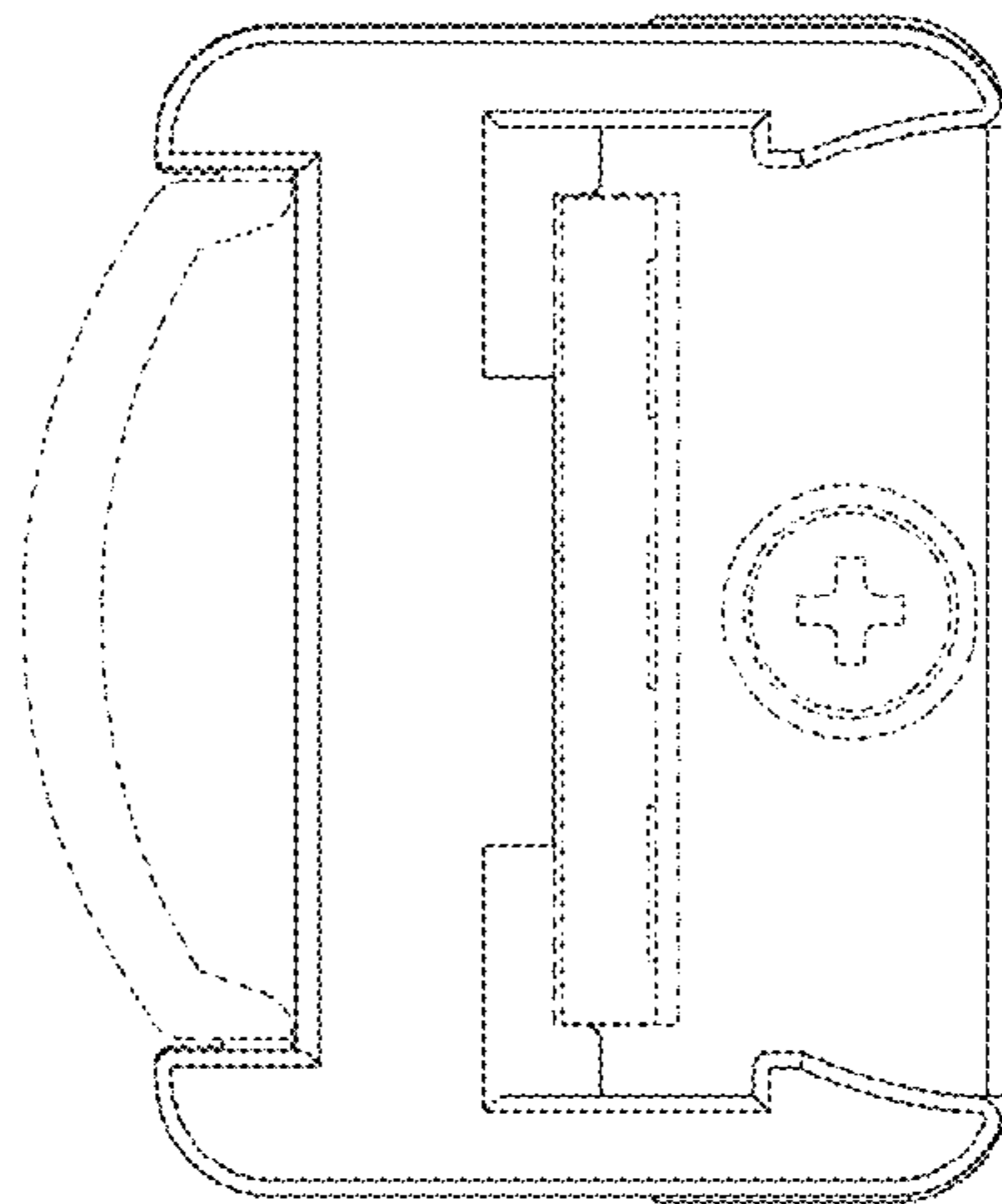


FIG. 5

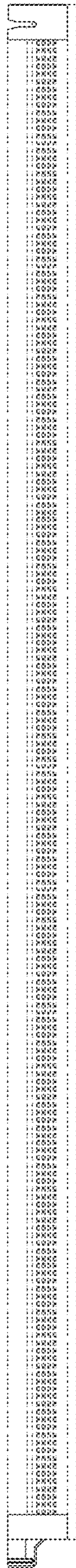


FIG. 6

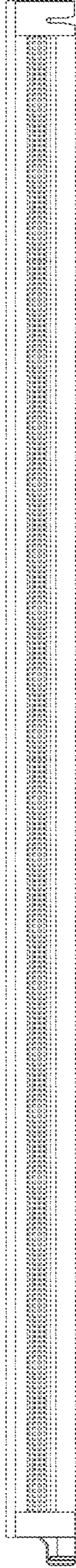


FIG. 7

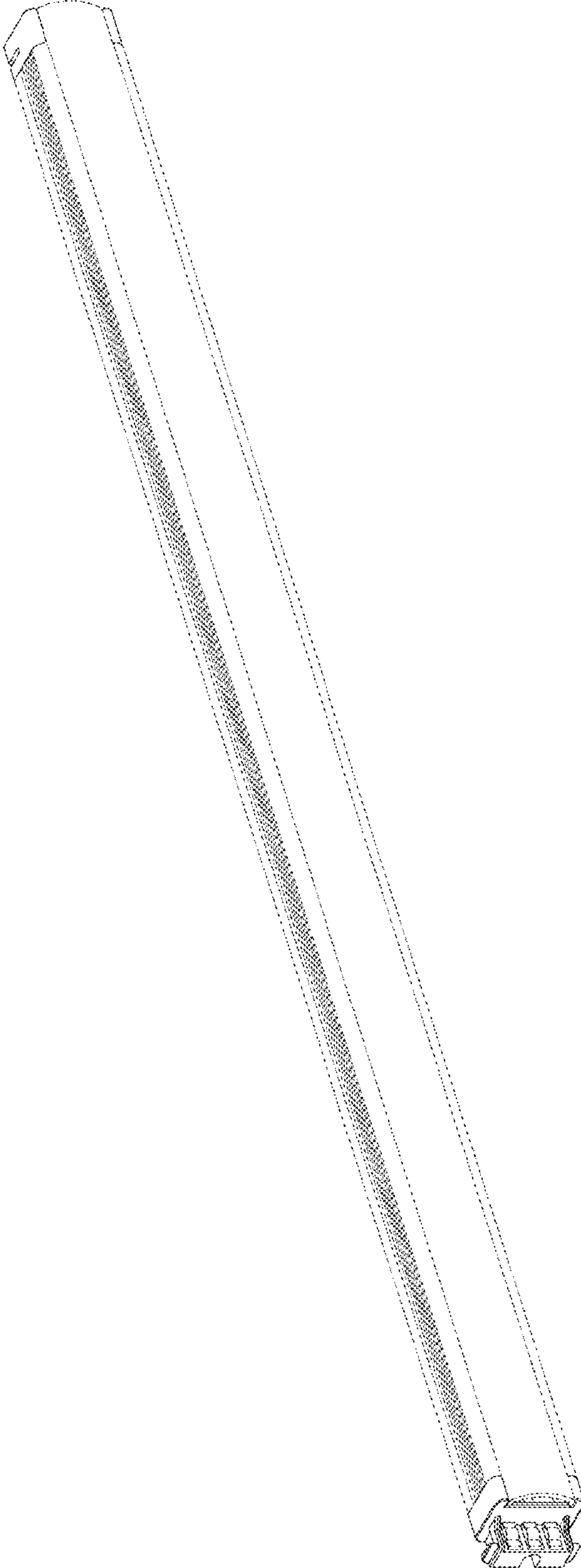


FIG. 8

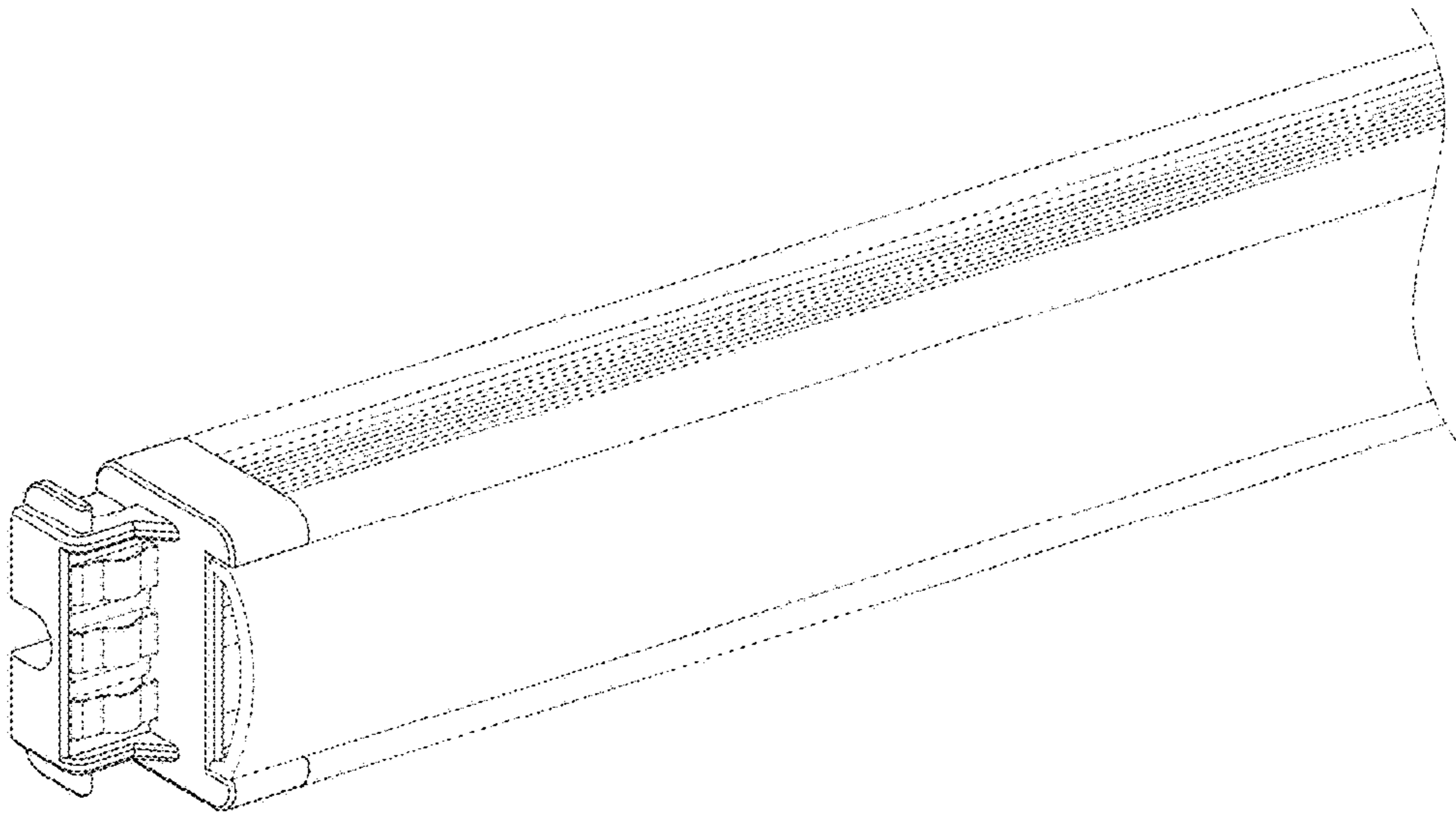


FIG. 9

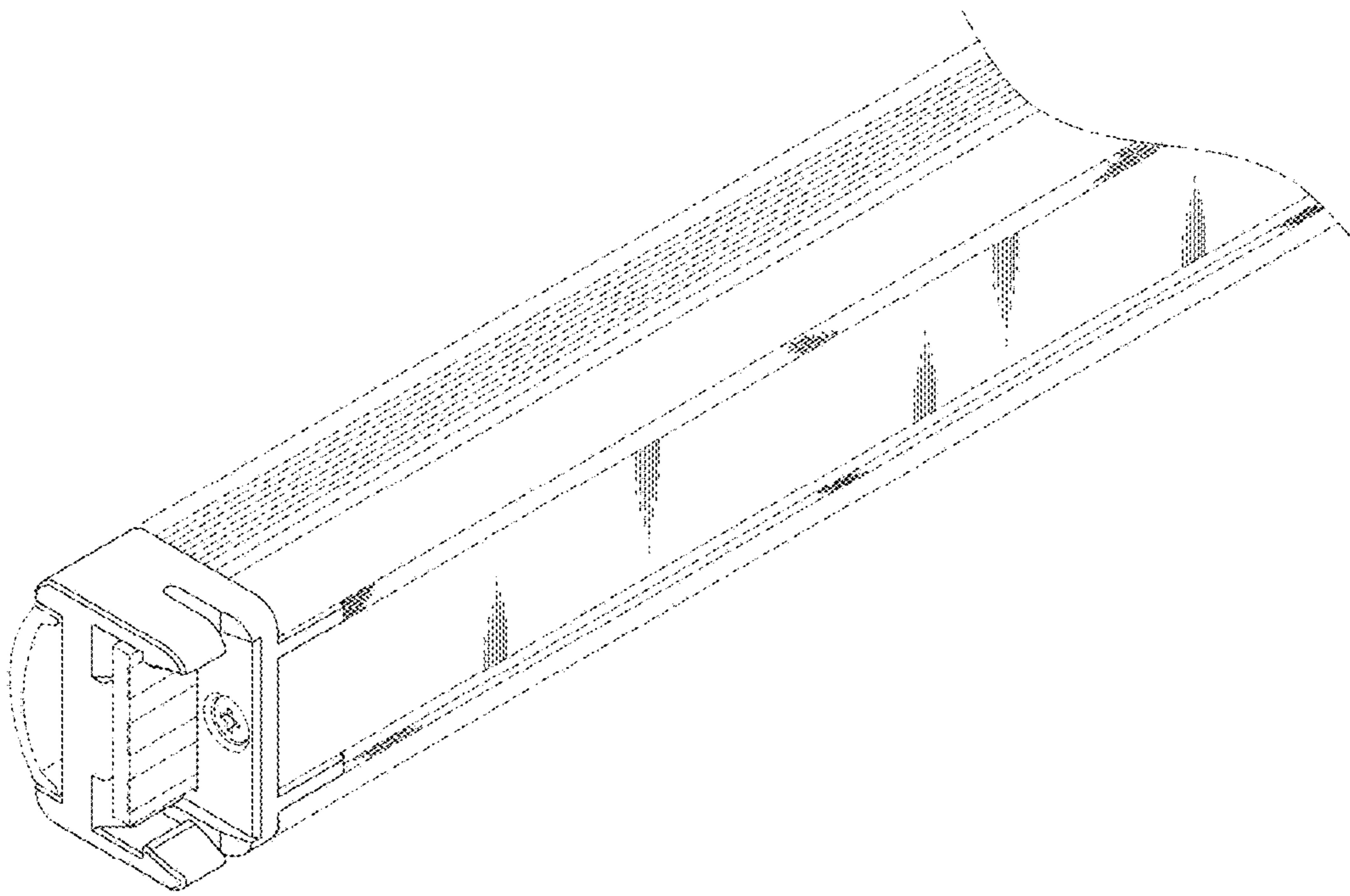


FIG. 10