



US00D817533S

(12) **United States Design Patent**  
**Wan et al.**

(10) **Patent No.:** **US D817,533 S**

(45) **Date of Patent:** **\*\* May 8, 2018**

(54) **LED STREET LIGHT**

(71) Applicants: **UNILUMIN GROUP CO., LTD.**,  
Shenzhen, Guangdong (CN);  
**GUANGDONG UNILUMIN**  
**ENERGY SAVING TECHNOLOGY**  
**CO., LTD**, Huizhou, Guangdong (CN)

(72) Inventors: **Changwei Wan**, Guangdong (CN);  
**Qing Zhou**, Guangdong (CN); **Jianghai**  
**Li**, Guangdong (CN)

(73) Assignees: **UNILUMIN GROUP CO., LTD.**,  
Shenzhen (CN); **GUANGDONG**  
**UNILUMIN ENERGY SAVING**  
**TECHNOLOGY CO., LTD**, Huizhou,  
Guangdong (CN)

(\*\*) Term: **15 Years**

(21) Appl. No.: **29/614,875**

(22) Filed: **Aug. 24, 2017**

(30) **Foreign Application Priority Data**

Apr. 11, 2017 (CN) ..... 2017 3 0118051

(51) **LOC (11) Cl.** ..... **26-05**

(52) **U.S. Cl.**  
USPC ..... **D26/71; D26/92**

(58) **Field of Classification Search**  
USPC ..... D13/134-136; D26/51, 60-71, 76, 77,  
D26/78, 80, 85, 86, 87, 92; D29/103  
CPC .. F21S 8/036; F21S 8/038; F21S 8/043; F21S  
8/081; F21S 8/083; F21S 8/085; F21S  
8/086; F21S 8/088; F21S 9/03; F21S  
9/035; F21S 9/037; F21S 10/063; F21S  
13/10

See application file for complete search history.

(56) **References Cited**

U.S. PATENT DOCUMENTS

D607,593	S	*	1/2010	Yoo	.....	D26/71
D637,336	S	*	5/2011	Van Klinken	.....	D26/71
D676,589	S	*	2/2013	Elam	.....	D26/71
D684,296	S	*	6/2013	Henderson	.....	D26/118
D689,233	S	*	9/2013	Boissevain	.....	D26/71
D742,574	S	*	11/2015	Bembridge	.....	D26/71
D760,935	S	*	7/2016	Jurdana	.....	D26/71
D760,937	S	*	7/2016	Jurdana	.....	D26/71
D764,091	S	*	8/2016	Snell	.....	D26/71
D766,485	S	*	9/2016	Ladewig	.....	D26/71
D767,196	S	*	9/2016	Duckworth	.....	D26/92
D780,360	S	*	2/2017	Bobel	.....	D26/71
2017/0167676	A1	*	6/2017	Wang	.....	F21S 8/086

\* cited by examiner

*Primary Examiner* — Kevin K Rudzinski

*Assistant Examiner* — Richard Kearney

(74) *Attorney, Agent, or Firm* — Ladas & Parry LLP

(57) **CLAIM**

The ornamental design for an LED street light, as shown and described.

**DESCRIPTION**

FIG. 1 is a perspective view of an LED street light showing our new design;

FIG. 2 is another perspective view thereof;

FIG. 3 is a front elevational view thereof;

FIG. 4 is a rear elevational view thereof;

FIG. 5 is a left side elevational view thereof;

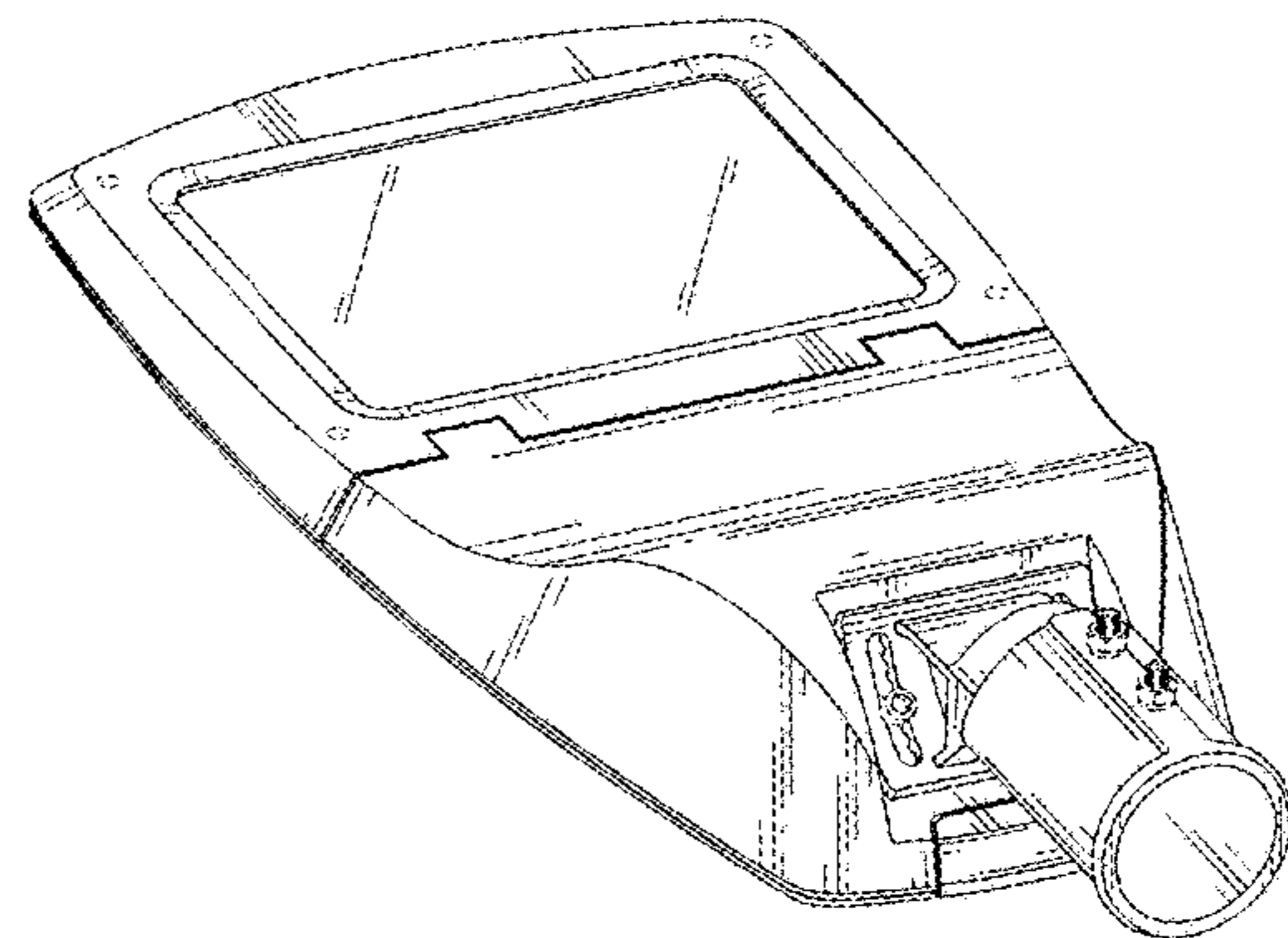
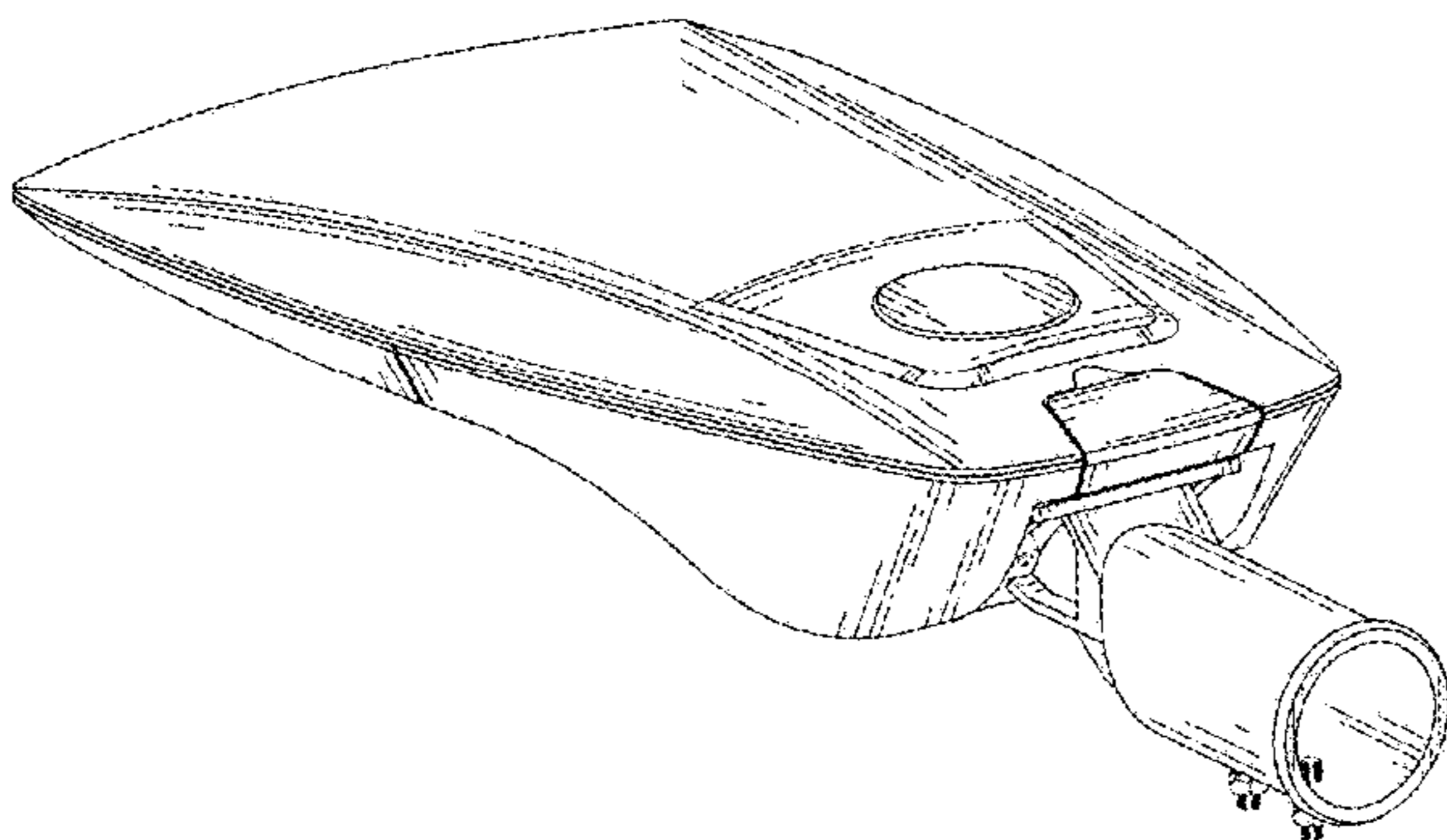
FIG. 6 is a right side elevational view thereof;

FIG. 7 is a top plan view thereof; and,

FIG. 8 is a bottom plan view thereof.

The broken lines shown in the drawings illustrate portions of the LED street light that form no part of the claimed design.

**1 Claim, 8 Drawing Sheets**



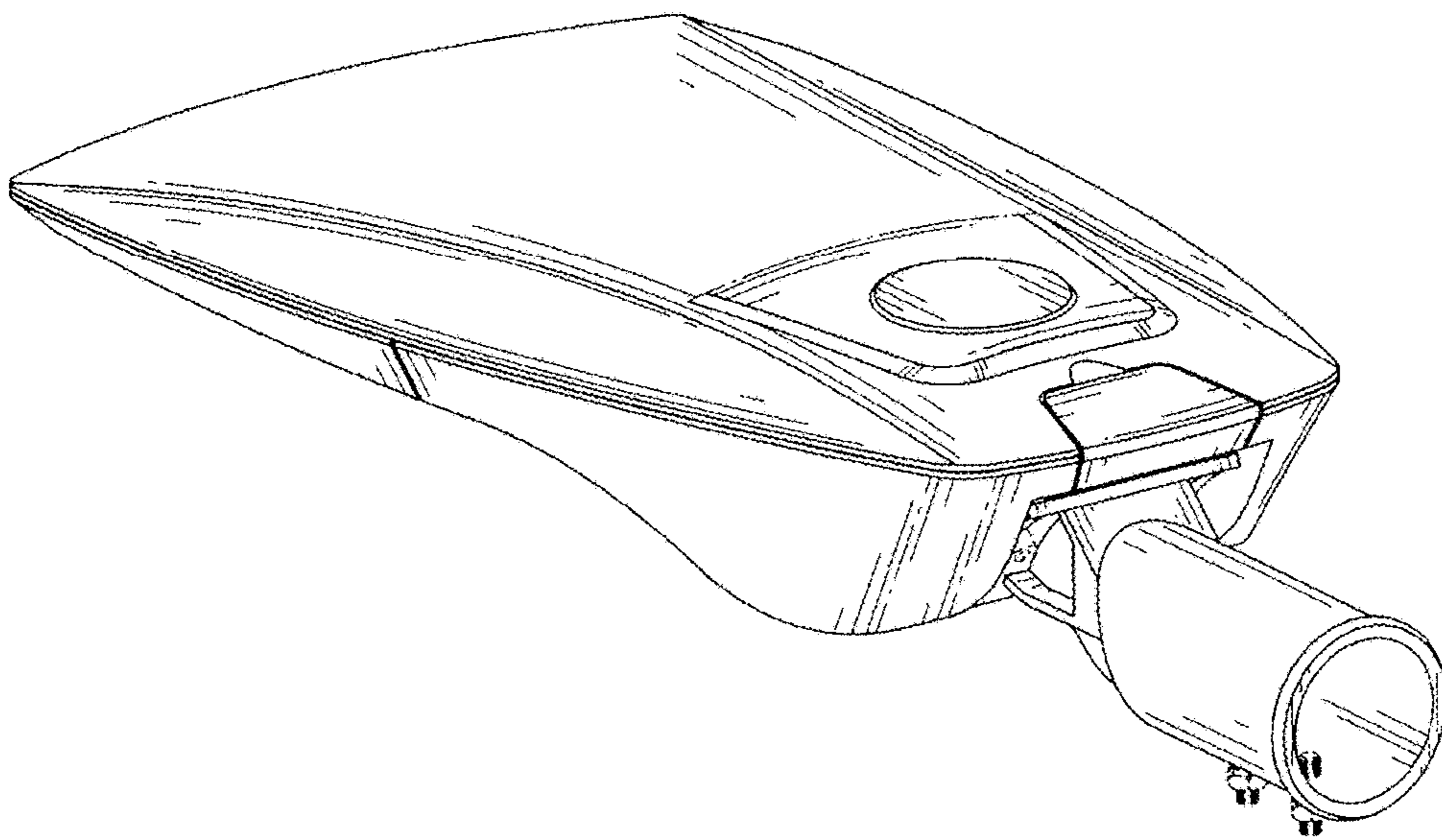


FIG. 1

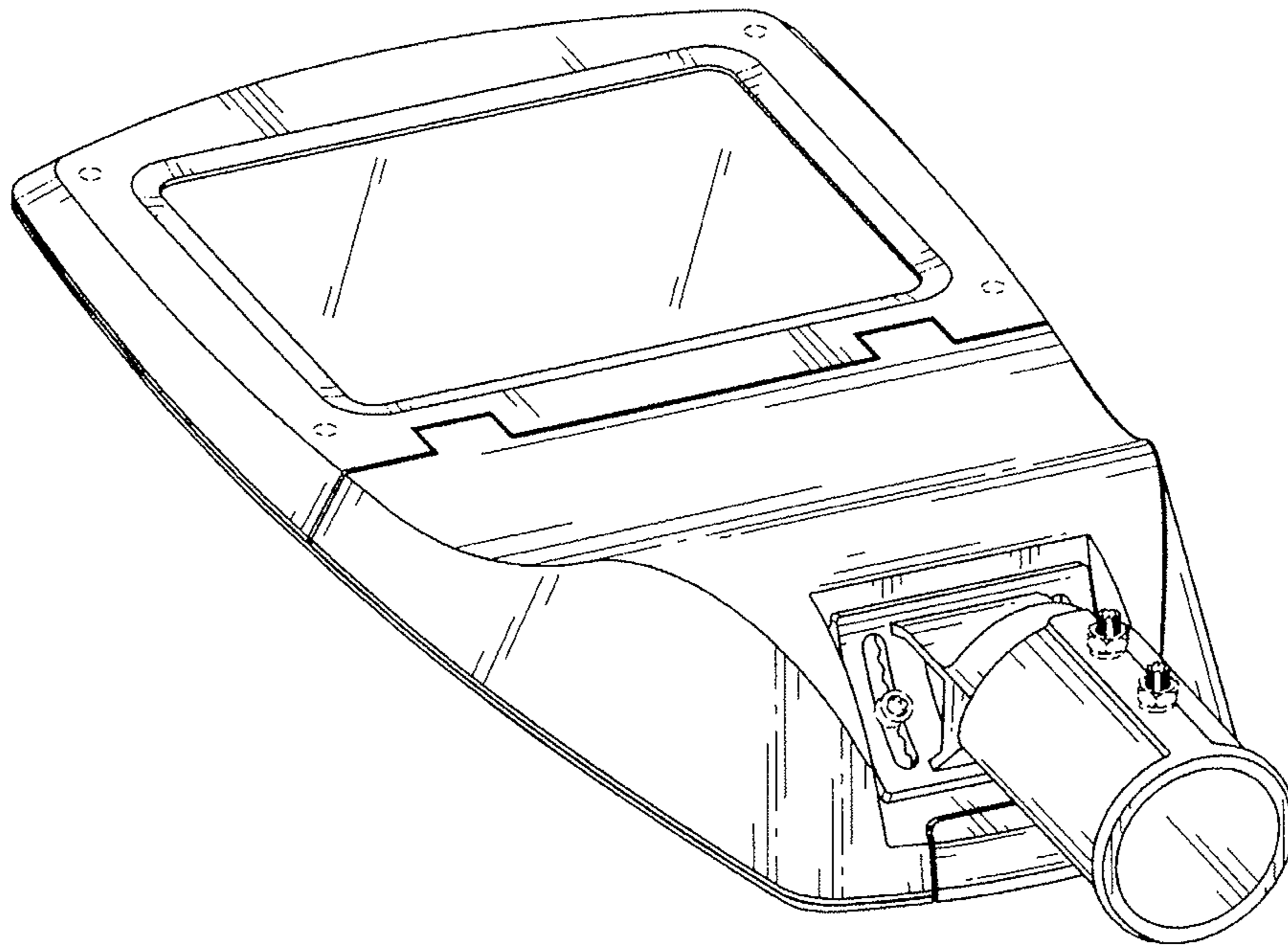


FIG. 2

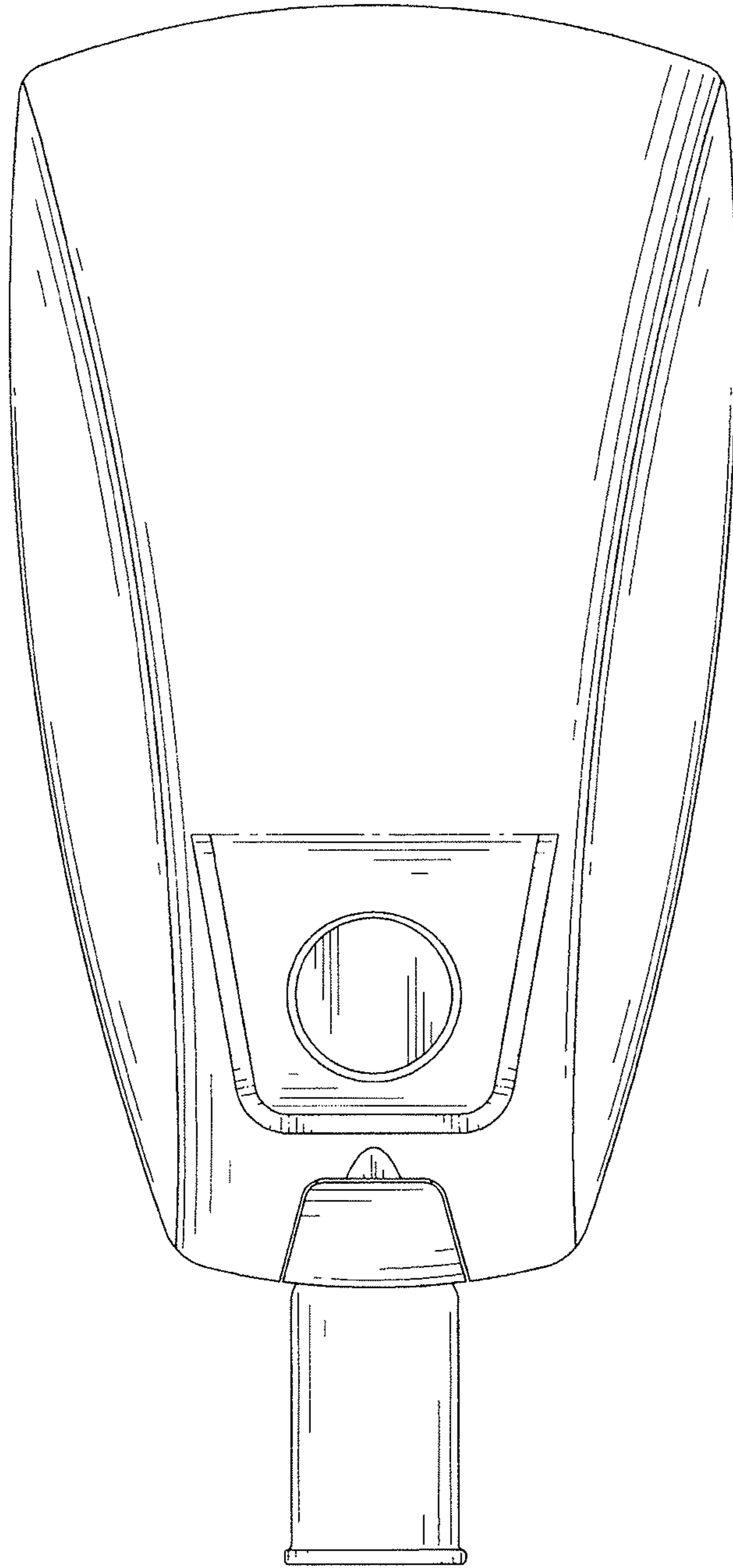


FIG. 3

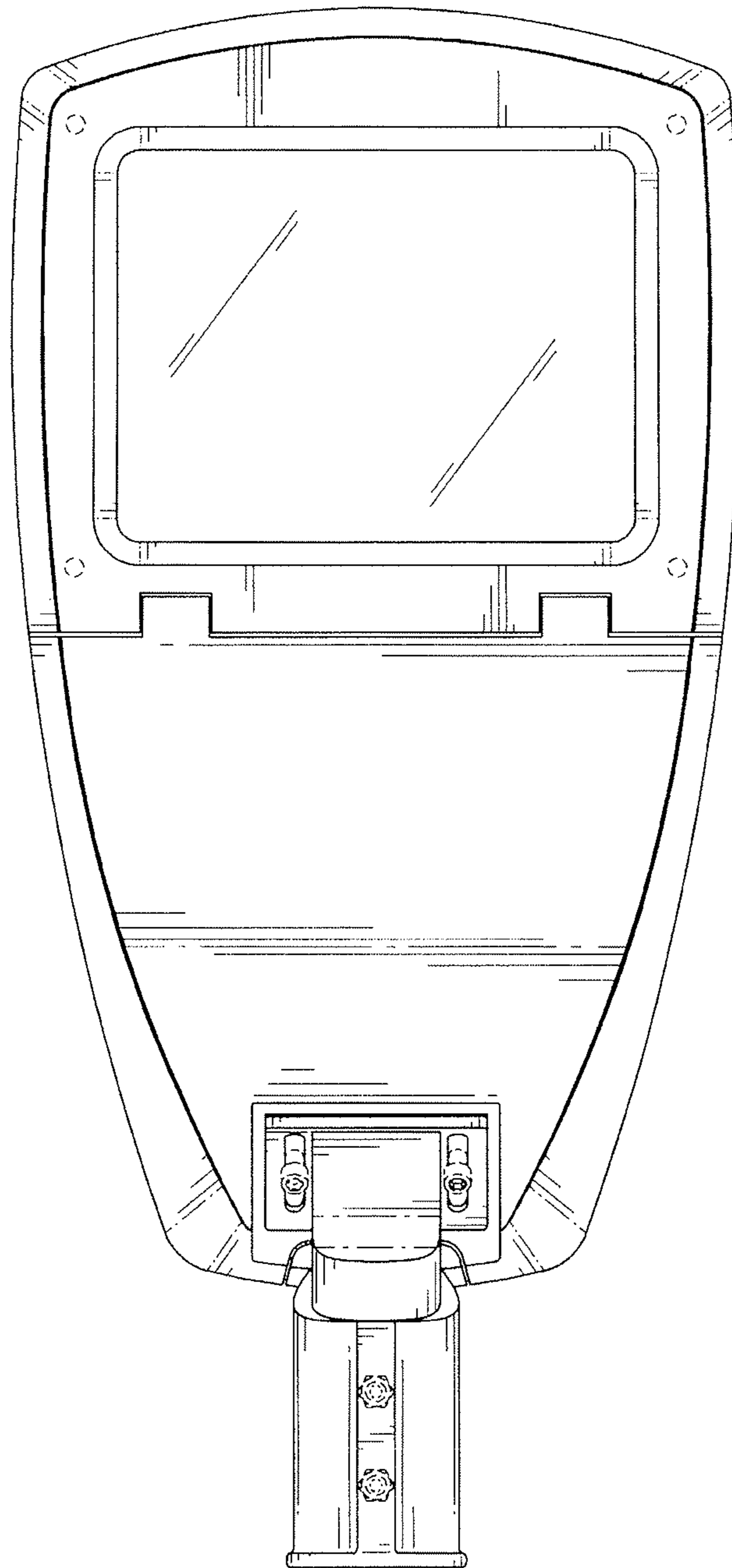


FIG. 4

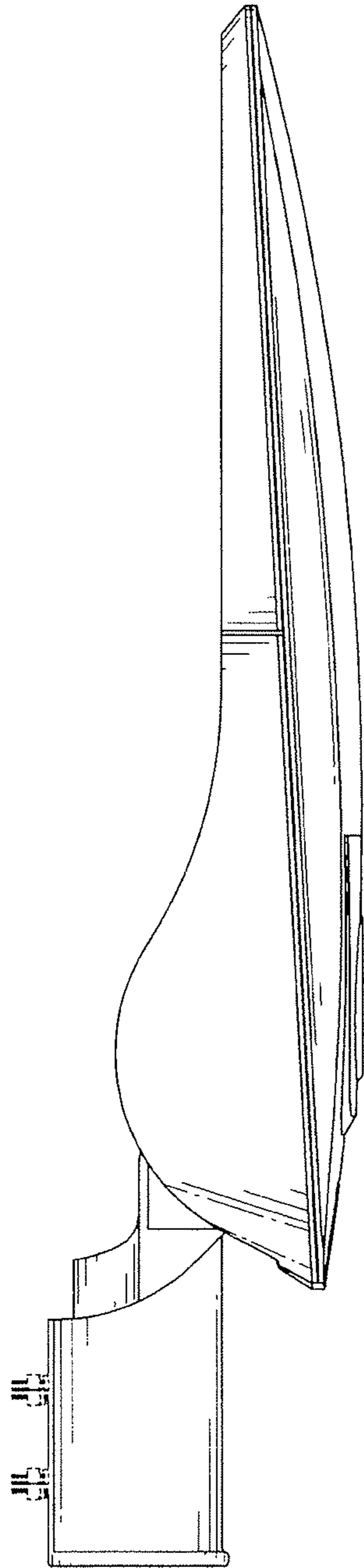


FIG. 5

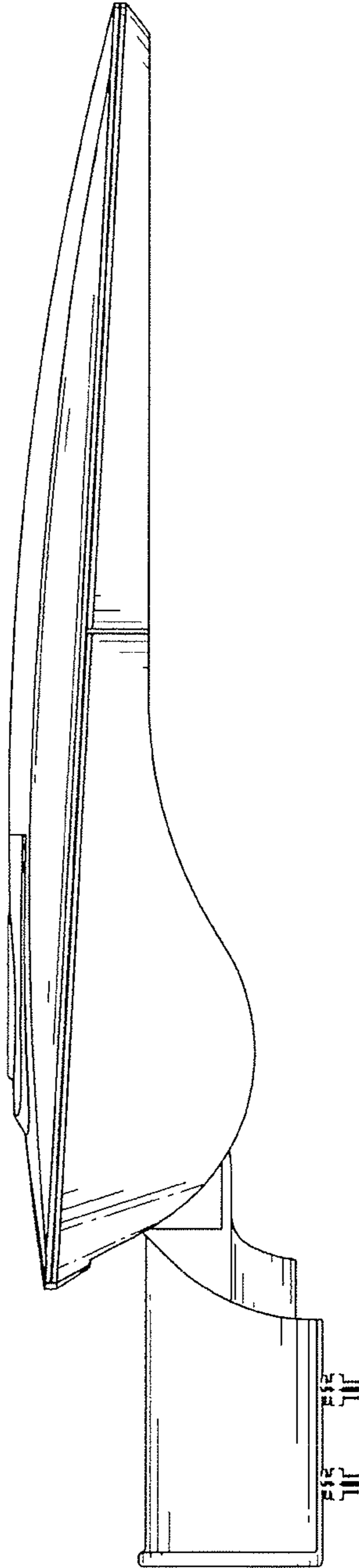


FIG. 6

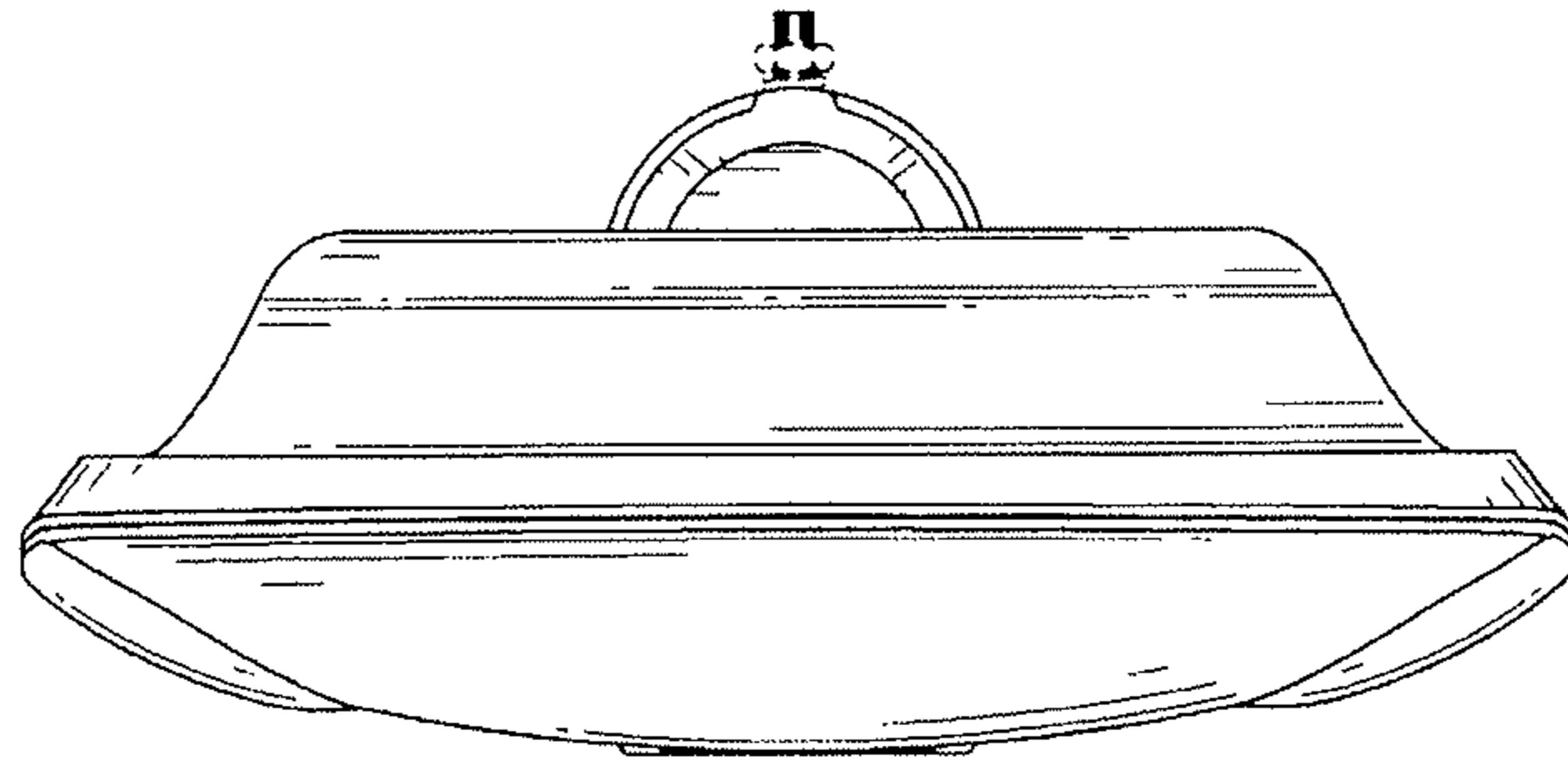


FIG. 7



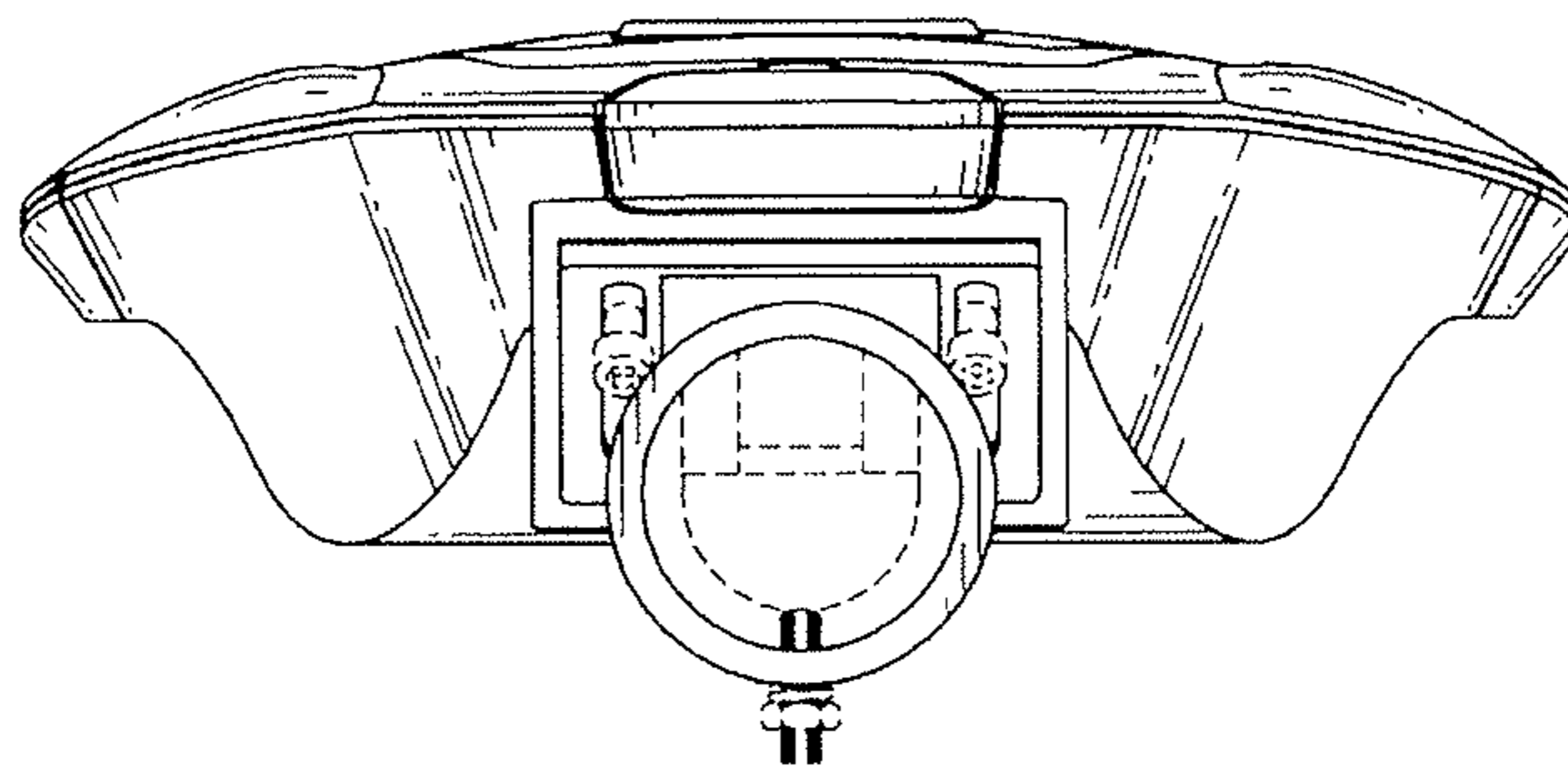


FIG. 8