



US00D817532S

(12) **United States Design Patent**  
**Iguchi**

(10) **Patent No.:** **US D817,532 S**

(45) **Date of Patent:** **\*\* May 8, 2018**

(54) **HEAD OF A STREET LAMP**

(71) Applicant: **MINEBEA MITSUMI INC.**,  
Kitasaku-gun, Nagano (JP)

(72) Inventor: **Kunihiko Iguchi**, Hamamatsu (JP)

(73) Assignee: **MINEBEA MITSUMI INC.**, Nagano  
(JP)

(\*\*) Term: **15 Years**

(21) Appl. No.: **29/570,746**

(22) Filed: **Jul. 12, 2016**

(30) **Foreign Application Priority Data**

Jan. 13, 2016 (JP) ..... 2016-000535

(51) **LOC (11) Cl.** ..... **26-05**

(52) **U.S. Cl.**  
USPC ..... **D26/71**

(58) **Field of Classification Search**

USPC ..... D26/67-72, 92  
CPC .. F21S 8/033; F21S 8/036; F21S 8/085; F21S  
8/086; F21S 8/088; F21W 2111/02;  
F21W 2111/023; F21W 2131/101; F21W  
2131/103; F21W 2131/1005; F21W  
2131/107; F21V 29/503; F21V 29/745;  
F21V 29/75; F21V 29/76; F21V 29/763;  
F21V 29/767; F21V 29/77; F21V 29/78

See application file for complete search history.

(56) **References Cited**

**U.S. PATENT DOCUMENTS**

D201,764 S \* 7/1965 Mox ..... D26/71  
D201,765 S \* 7/1965 Mox ..... D26/71  
D201,909 S \* 8/1965 Harling ..... D26/71

D203,065 S \* 11/1965 Izzi et al. .... D26/71  
D209,081 S \* 10/1967 Netland ..... D26/71  
D543,306 S \* 5/2007 Volkens ..... D26/71  
D643,140 S \* 8/2011 Areh ..... D26/71  
D691,759 S \* 10/2013 Boyer ..... D26/71  
8,814,396 B2 \* 8/2014 Ishida ..... F21S 8/086  
362/297  
D757,322 S \* 5/2016 Martin ..... D26/71  
2012/0262917 A1 \* 10/2012 Courcelle ..... F21V 15/01  
362/235

\* cited by examiner

*Primary Examiner* — Clare E Heflin

(74) *Attorney, Agent, or Firm* — Pearne & Gordon LLP

(57) **CLAIM**

The ornamental design for a head of a street lamp, as shown and described.

**DESCRIPTION**

FIG. 1 is a front, top and left-side perspective view of a head of a street lamp showing my new design;

FIG. 2 is a front, bottom and right-side perspective view thereof;

FIG. 3 is a front elevational view thereof;

FIG. 4 is a rear elevational view thereof;

FIG. 5 is a right-side elevational view thereof, the left-side elevational view is a mirror image;

FIG. 6 is a top plan view thereof;

FIG. 7 is a bottom plan view thereof; and,

FIG. 8 is a perspective view of the head of a street lamp attached to a pole.

The broken lines in FIG. 2 depict portions of the head of a street lamp that form no part of the claimed design. The broken lines in FIG. 8 depict environmental subject matter only and form no part of the claimed design.

**1 Claim, 7 Drawing Sheets**

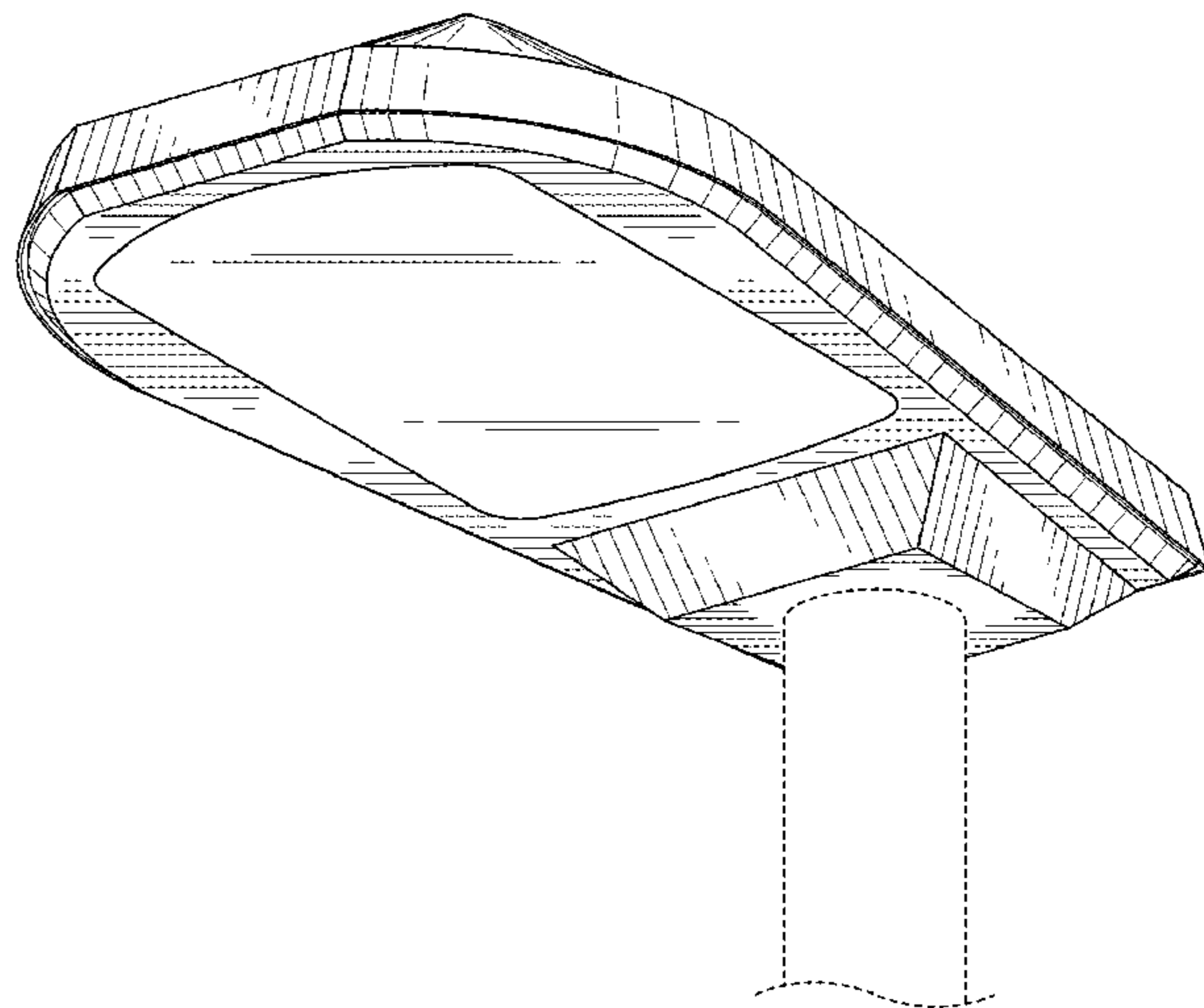
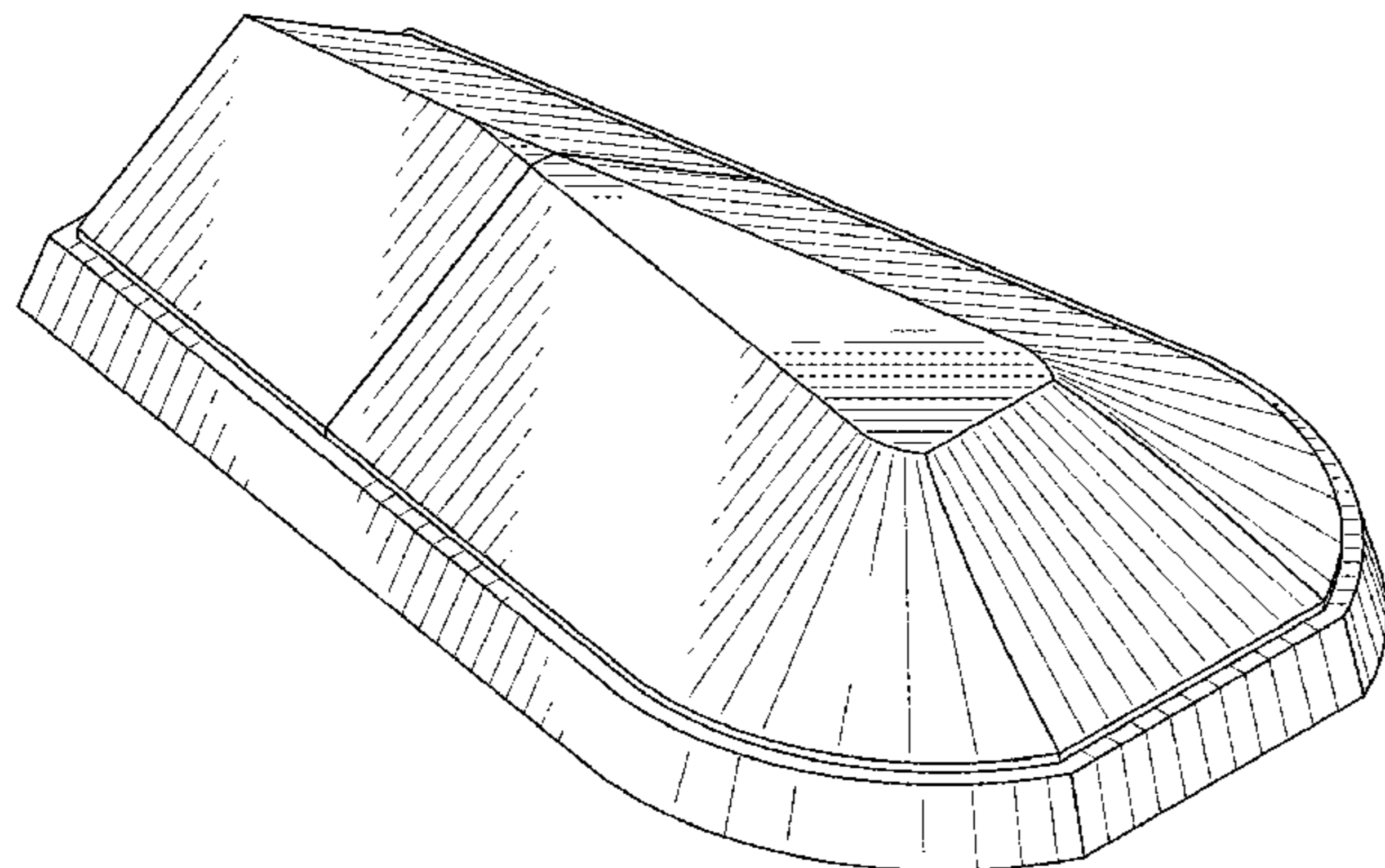


FIG. 1

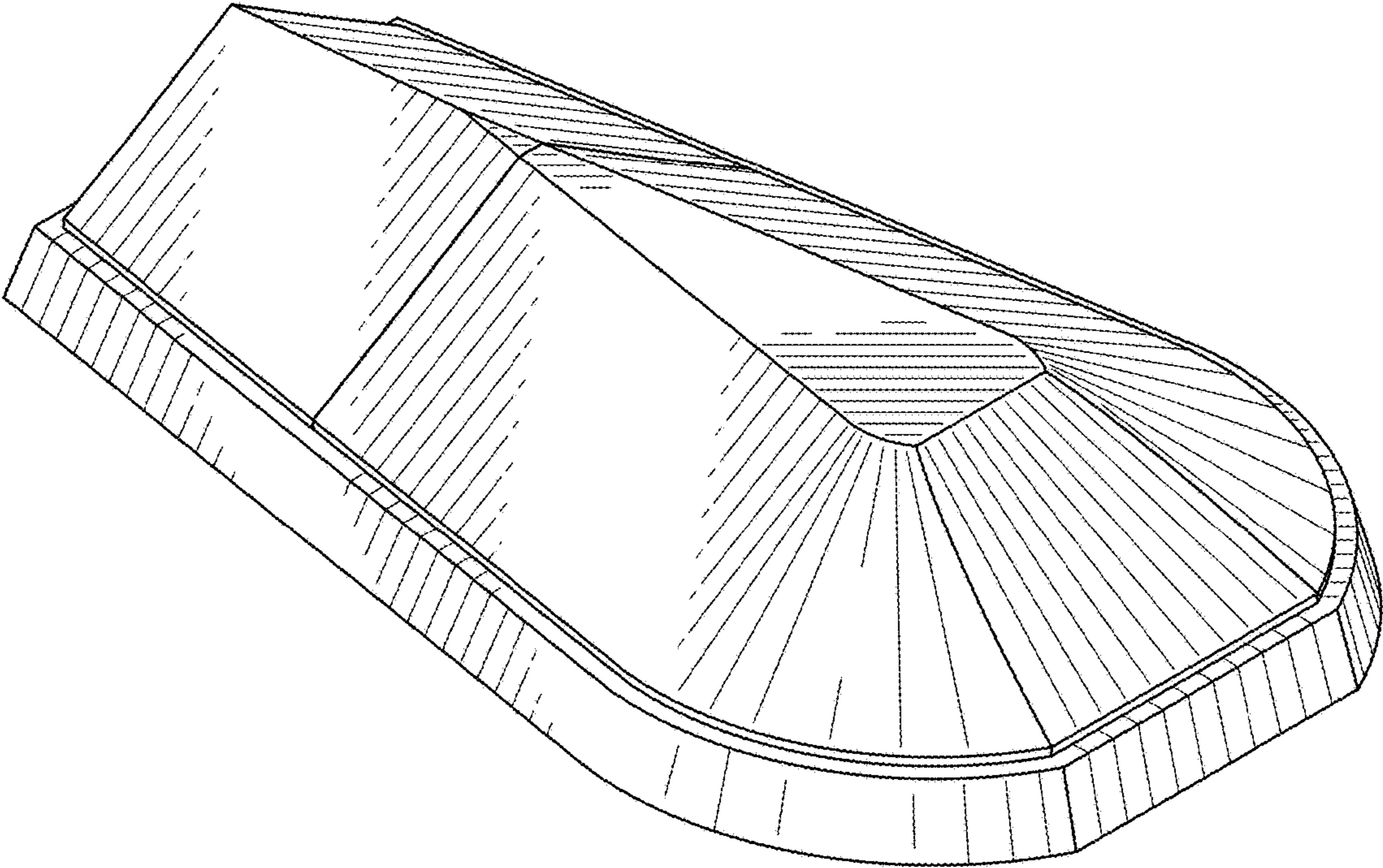
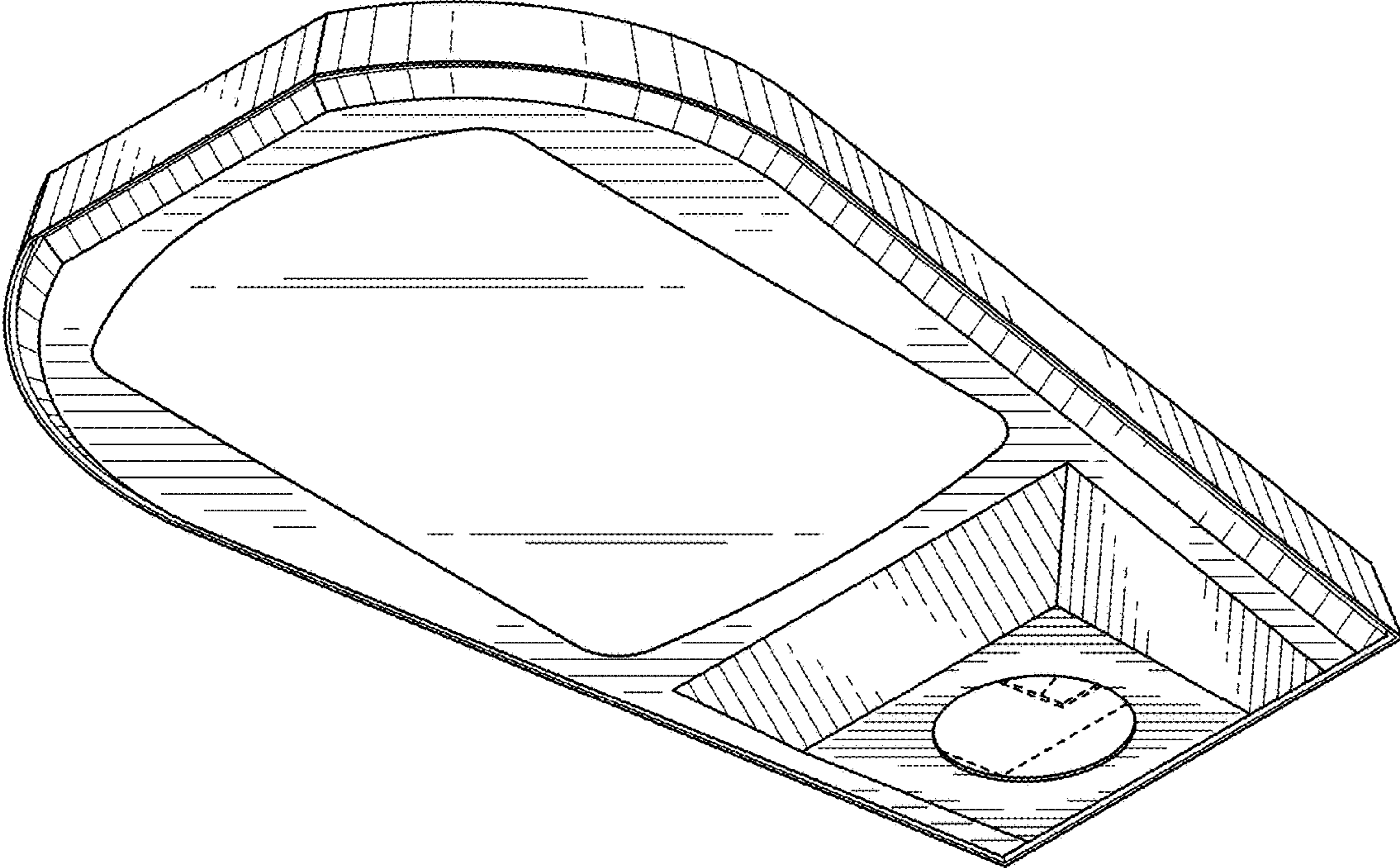
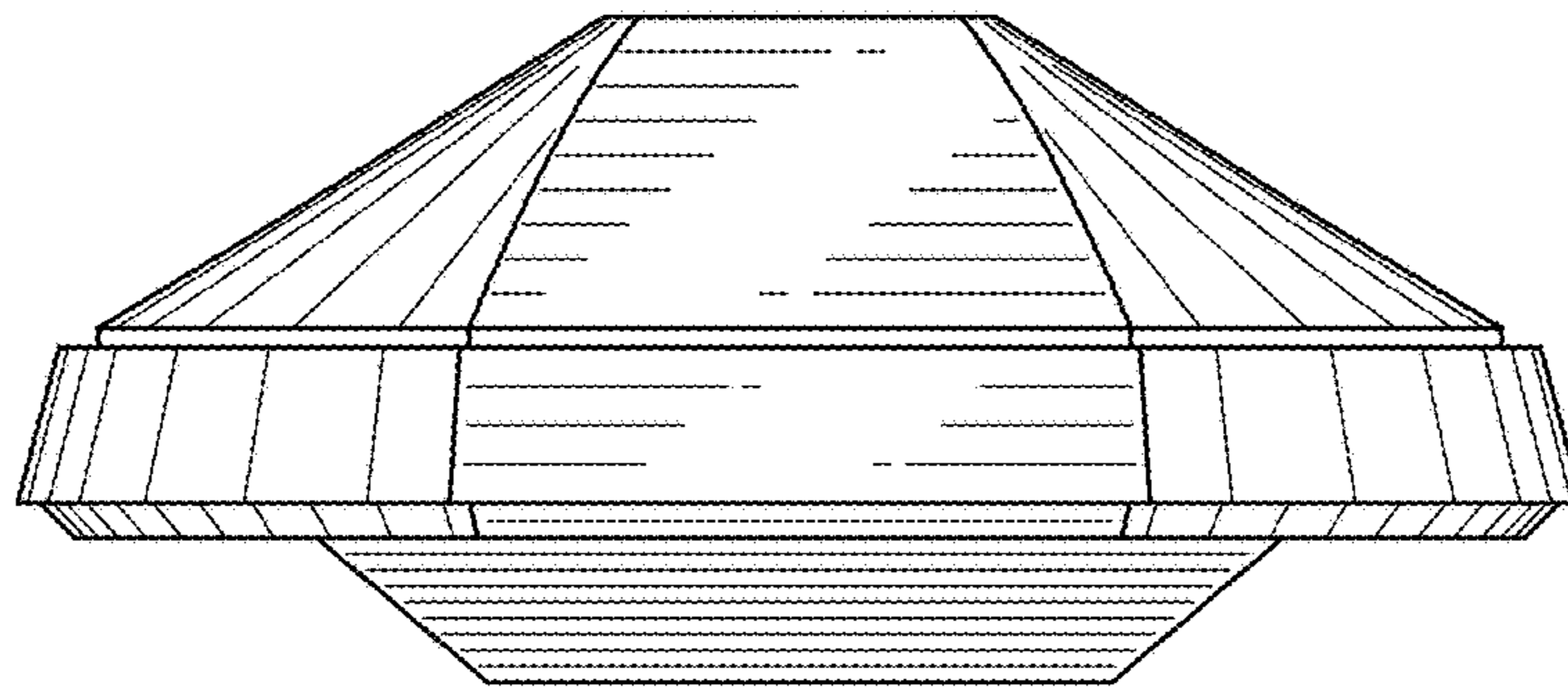


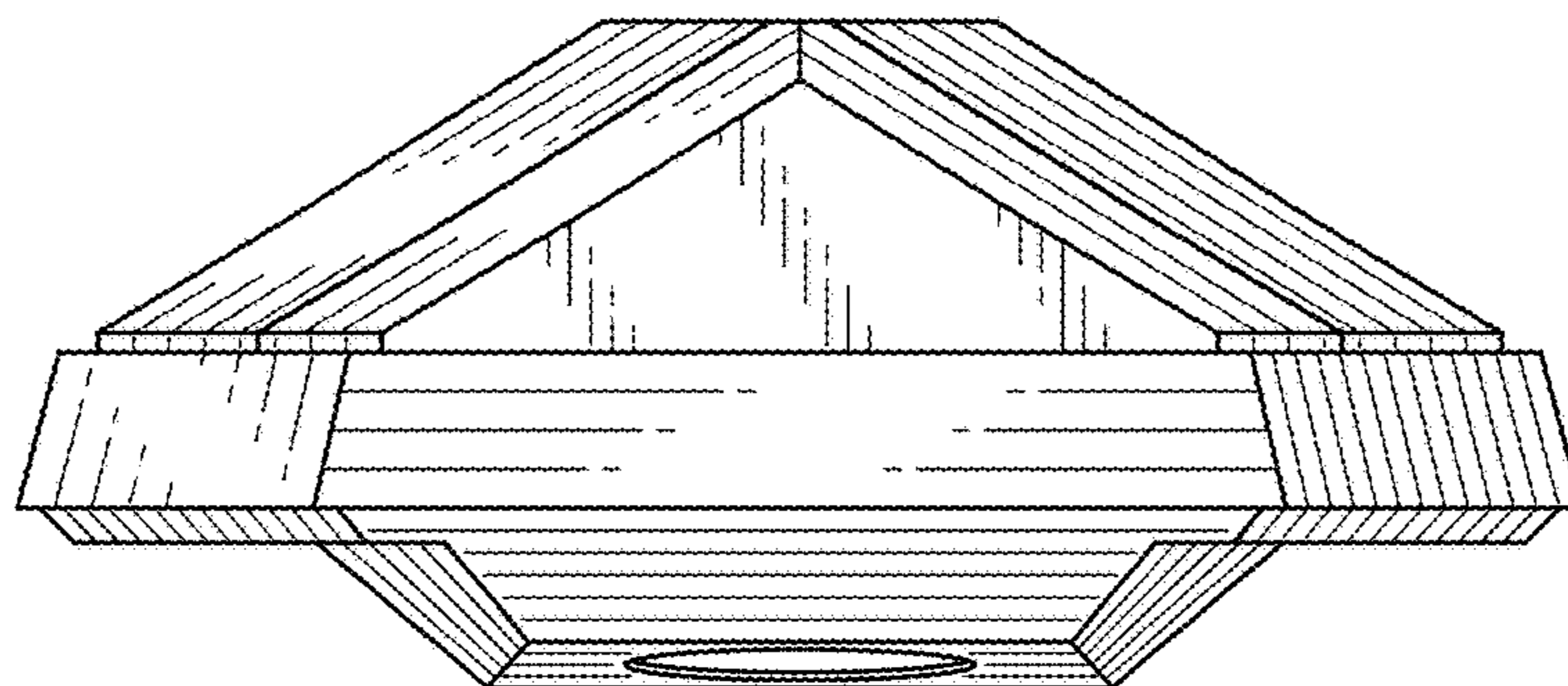
FIG. 2



*FIG. 3*



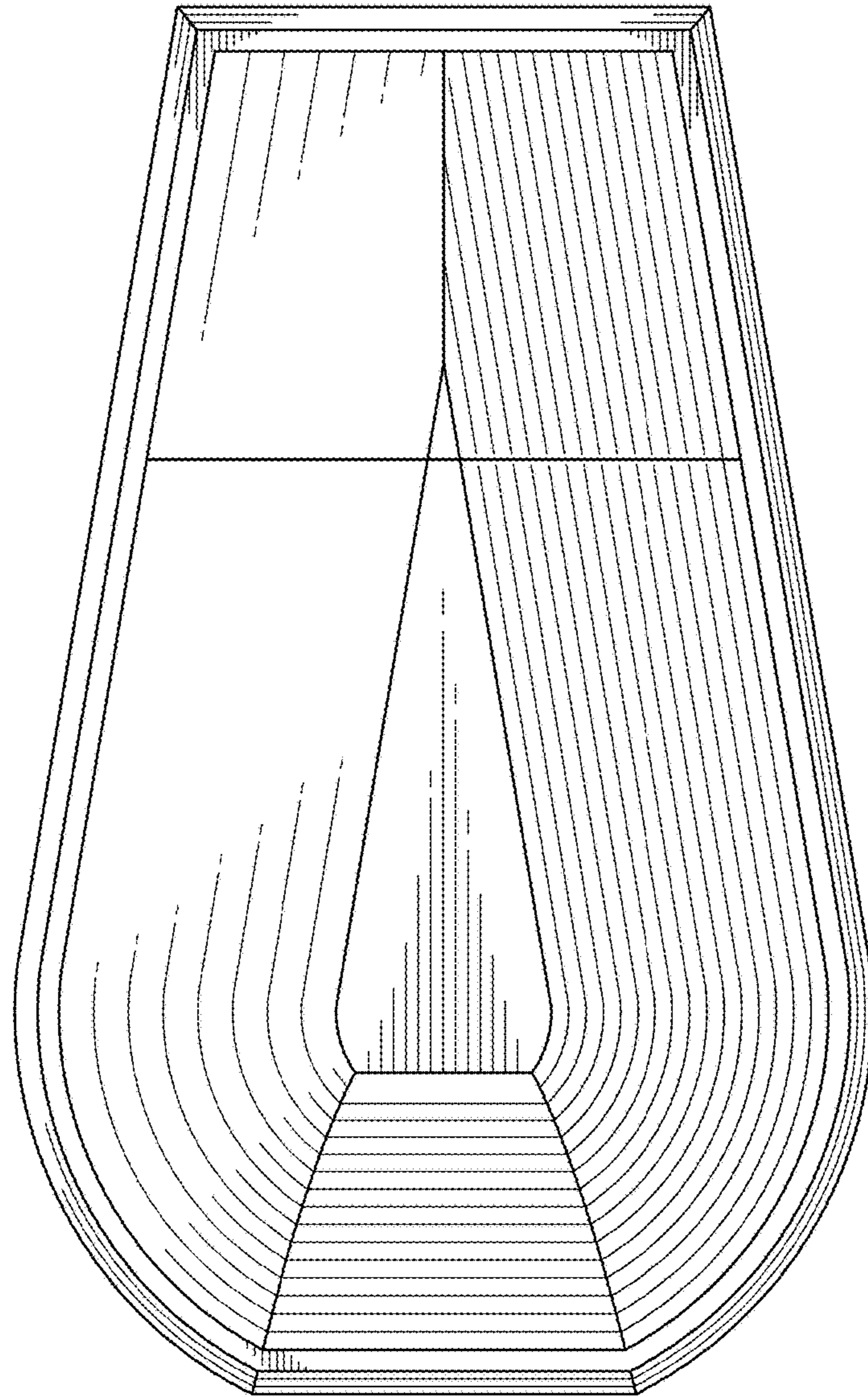
*FIG. 4*



*FIG. 5*



*FIG. 6*



*FIG. 7*

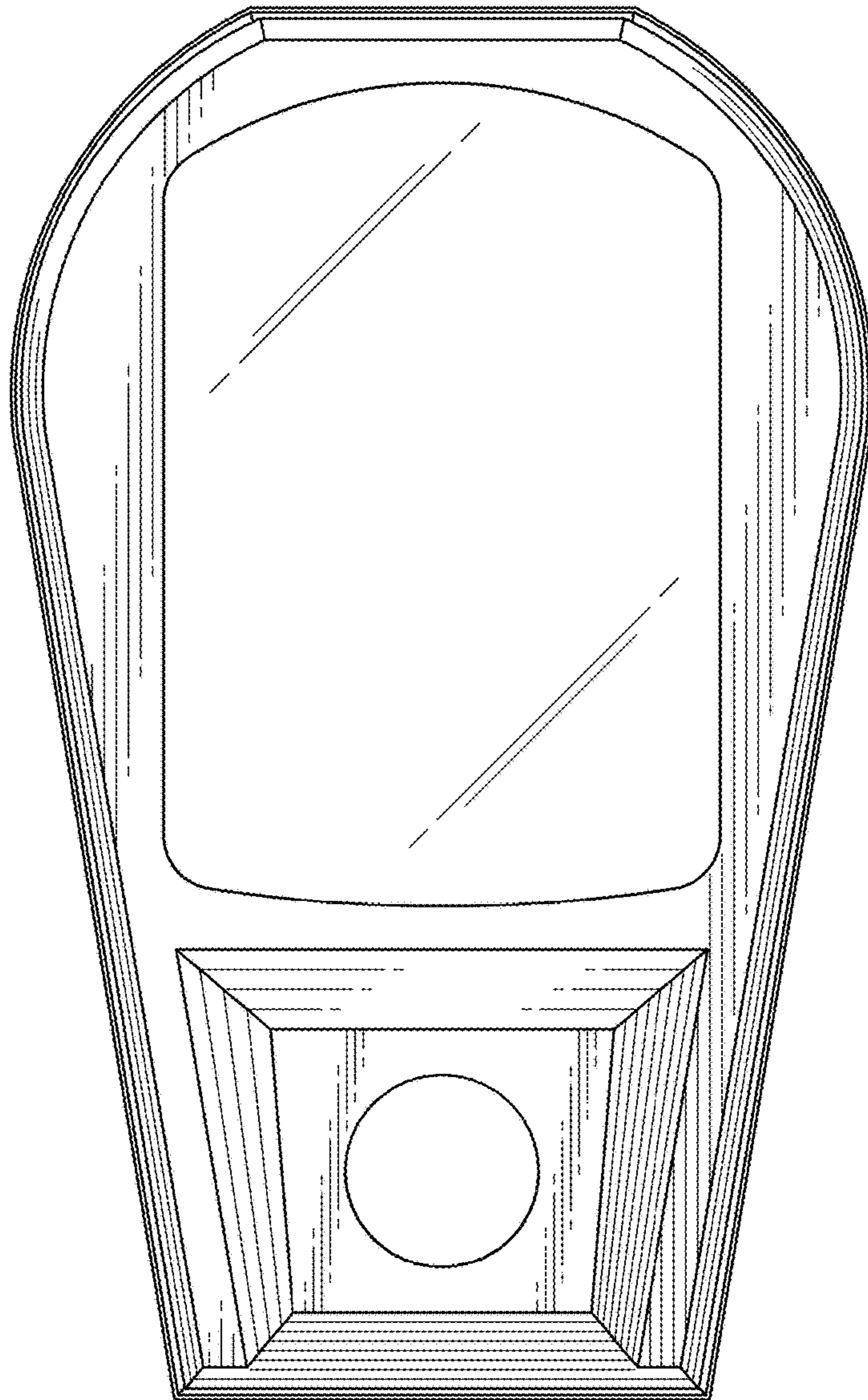


FIG. 8

