



US00D817531S

(12) **United States Design Patent** (10) **Patent No.:** **US D817,531 S**  
**Bao** (45) **Date of Patent:** **\*\* May 8, 2018**

(54) **WORKING LAMP**

(56) **References Cited**

(71) Applicant: **YUYAO YUCHANG ELECTRICAL APPLIANCE CO., LTD**, Yuyao (CN)

U.S. PATENT DOCUMENTS

(72) Inventor: **Yong Bao**, Yuyao (CN)

D417,024 S *	11/1999	Stuyfzand .....	D26/63
D451,226 S *	11/2001	Leen .....	D26/63
D518,218 S *	3/2006	Roberge .....	D26/63
D613,440 S *	4/2010	Lindholm .....	D26/63
D689,232 S *	9/2013	Velazquez .....	F21V 23/009 D26/63
D702,866 S *	4/2014	Blincoe .....	D26/63
D732,220 S *	6/2015	Bao .....	D26/63
D779,095 S *	2/2017	Xu .....	D26/63
D779,096 S *	2/2017	Xu .....	D26/63

(73) Assignee: **Yuyao Yuchang Electrical Appliance Co., Ltd.**, Yuyao (CN)

(\*\*) Term: **15 Years**

\* cited by examiner

(21) Appl. No.: **29/591,413**

*Primary Examiner* — Brian N. Vinson

(22) Filed: **Jan. 19, 2017**

(74) *Attorney, Agent, or Firm* — Wang Law Firm, Inc.

(30) **Foreign Application Priority Data**

Jan. 5, 2017 (CN) ..... 2017 3 0003802

(57) **CLAIM**

The ornamental design for a working lamp, as shown and described.

(51) **LOC (11) Cl.** ..... **26-03**

**DESCRIPTION**

(52) **U.S. Cl.**

USPC ..... **D26/63**

(58) **Field of Classification Search**

USPC ..... D26/1, 24, 61, 63, 65, 85, 92

CPC ..... F21V 21/14; F21V 15/01; F21V 14/02;

F21V 21/30; F21V 21/00; F21V 14/00;

F21S 8/00; F21S 8/003; F21S 8/043;

F21Y 2105/001

FIG. 1 is a front view showing my new design;

FIG. 2 is a left view thereof;

FIG. 3 is a right view thereof;

FIG. 4 is a rear view thereof;

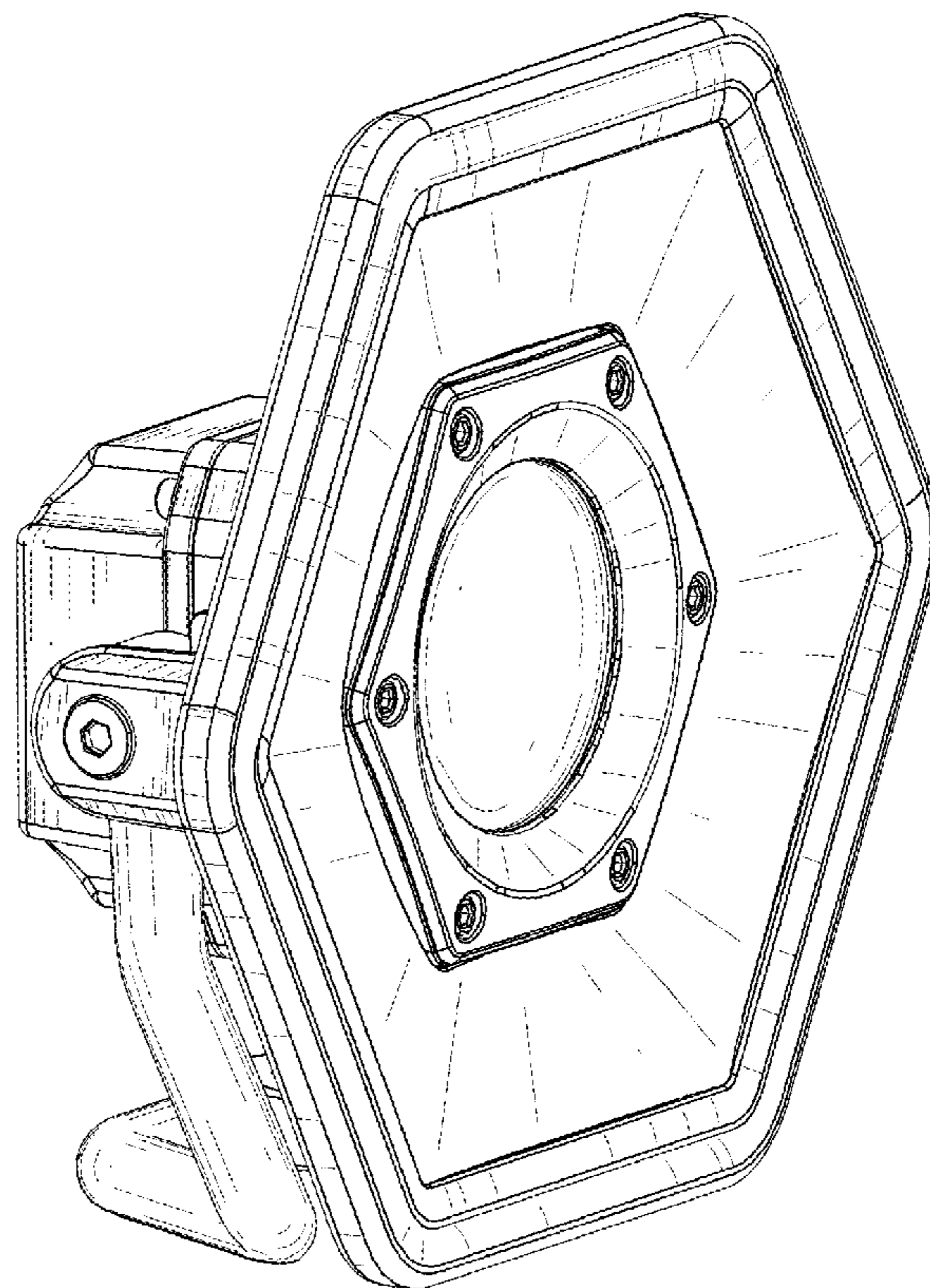
FIG. 5 is a top perspective view thereof;

FIG. 6 is a bottom view thereof; and,

FIG. 7 is a perspective view thereof.

See application file for complete search history.

**1 Claim, 5 Drawing Sheets**



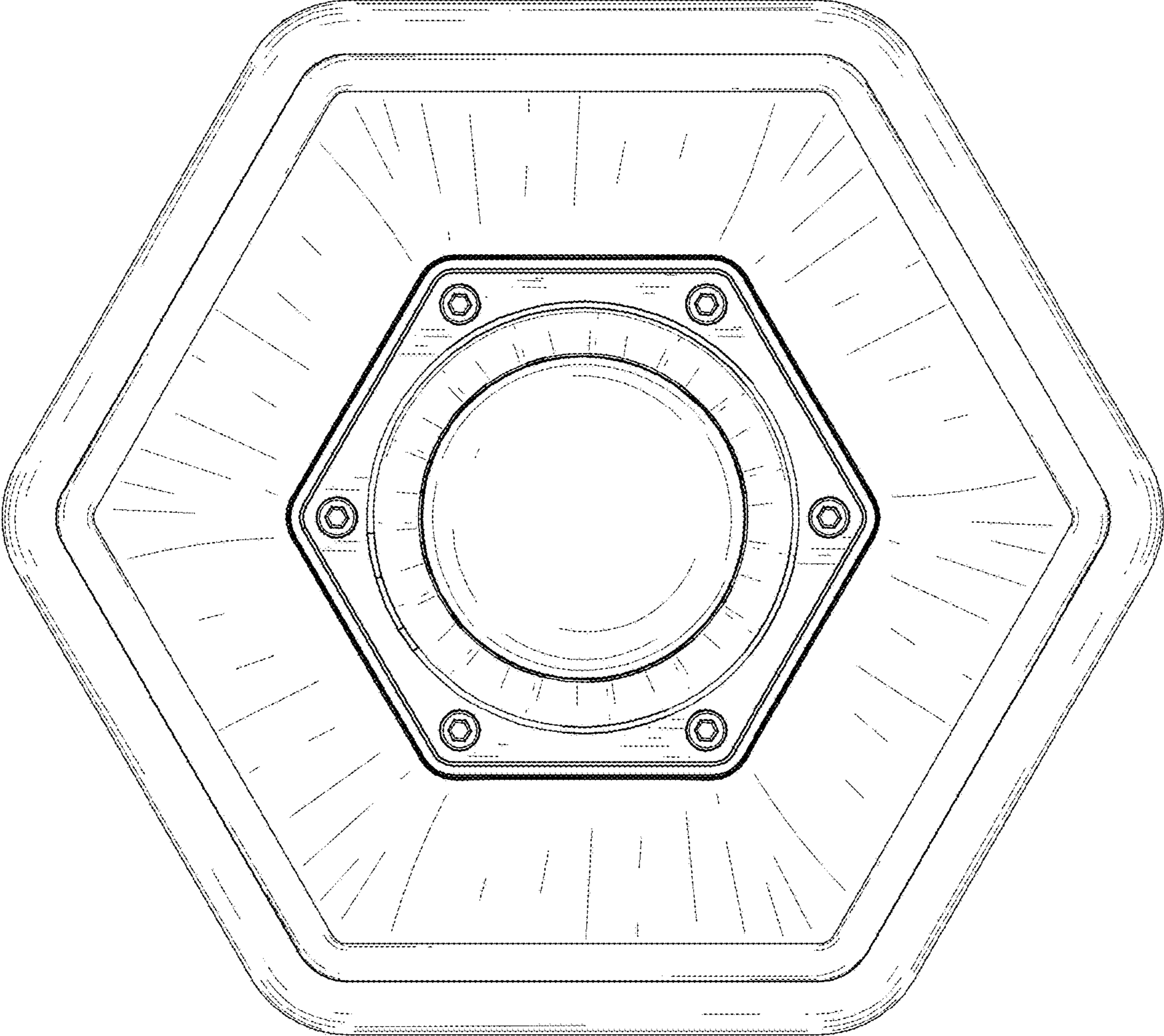


FIG. 1

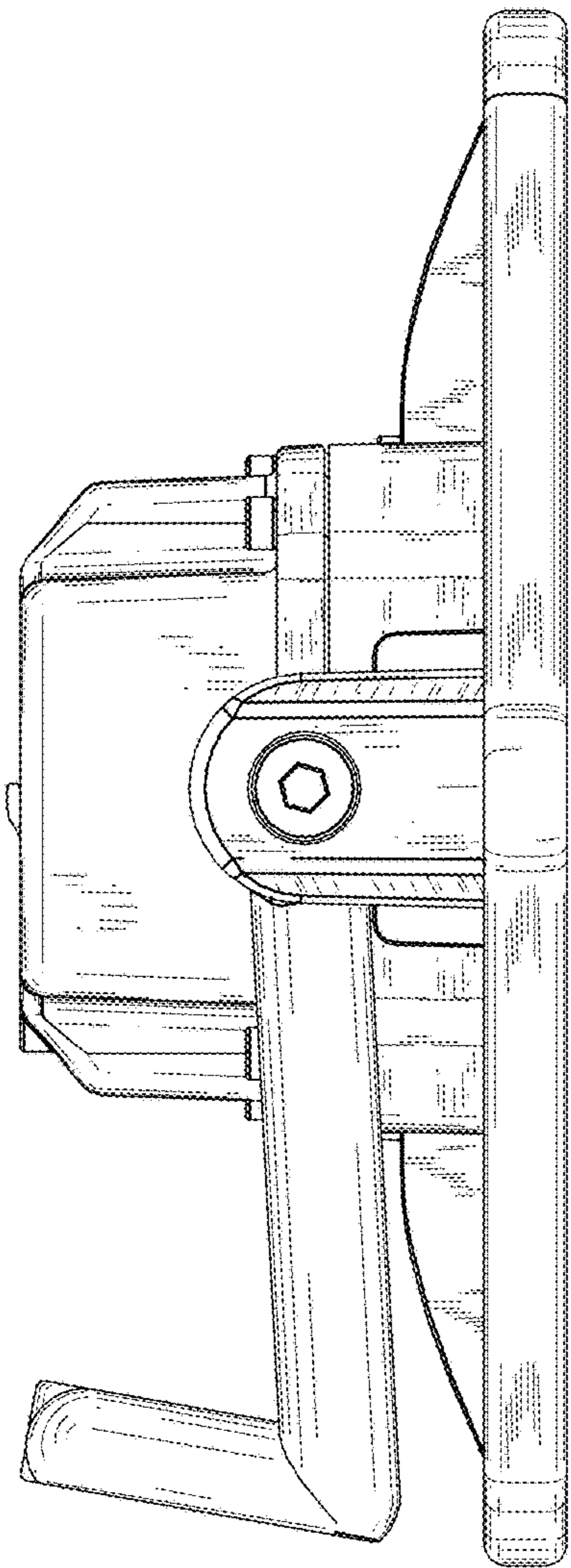


FIG. 2

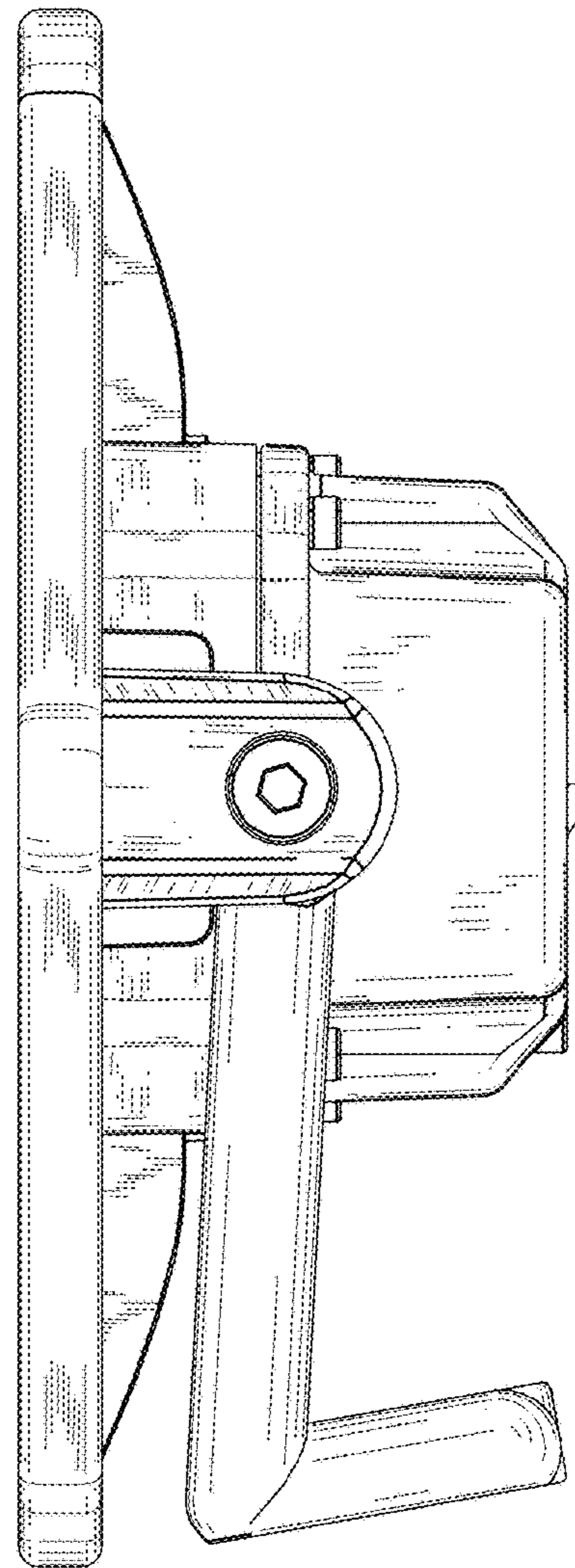


FIG. 3

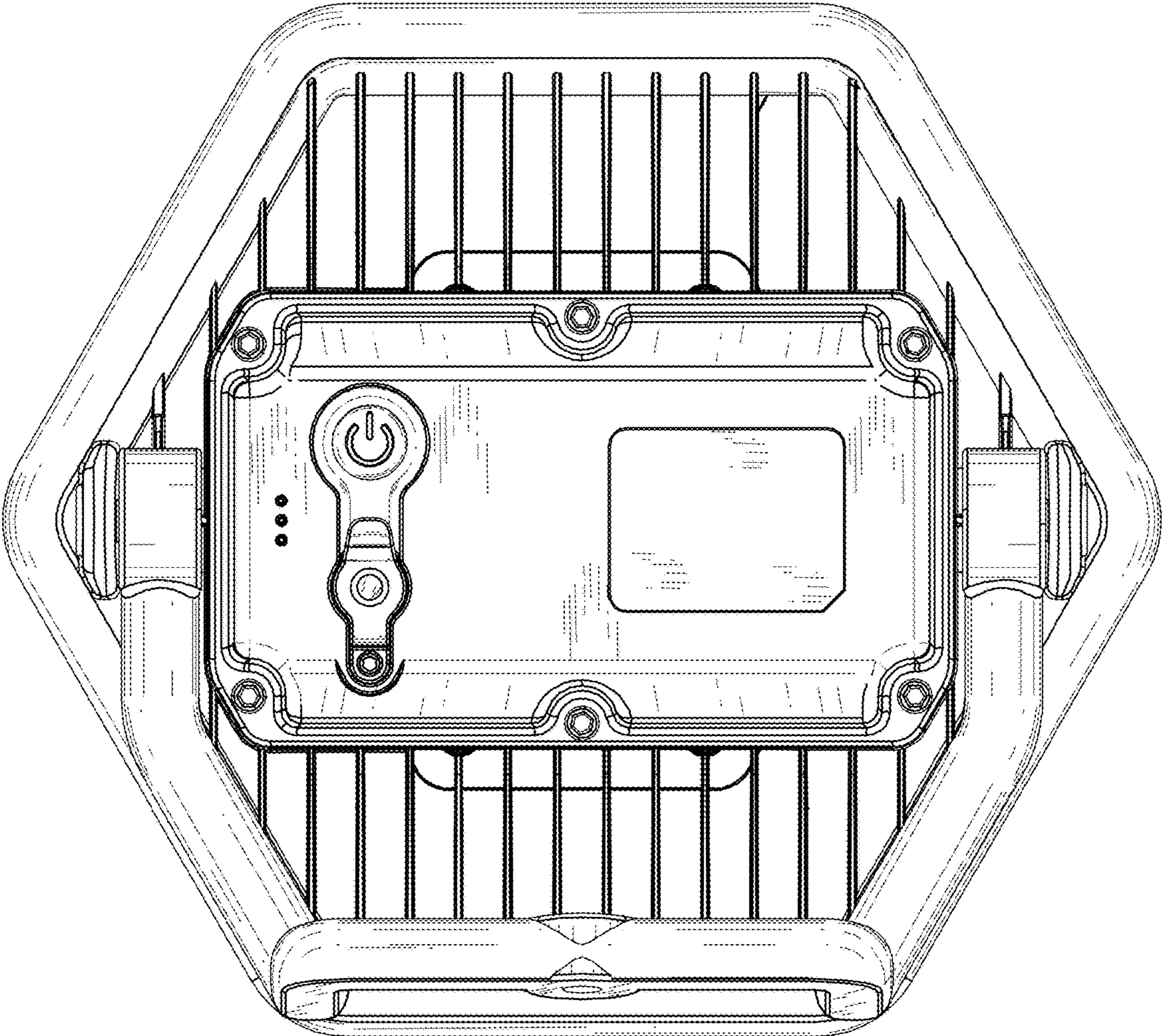


FIG. 4

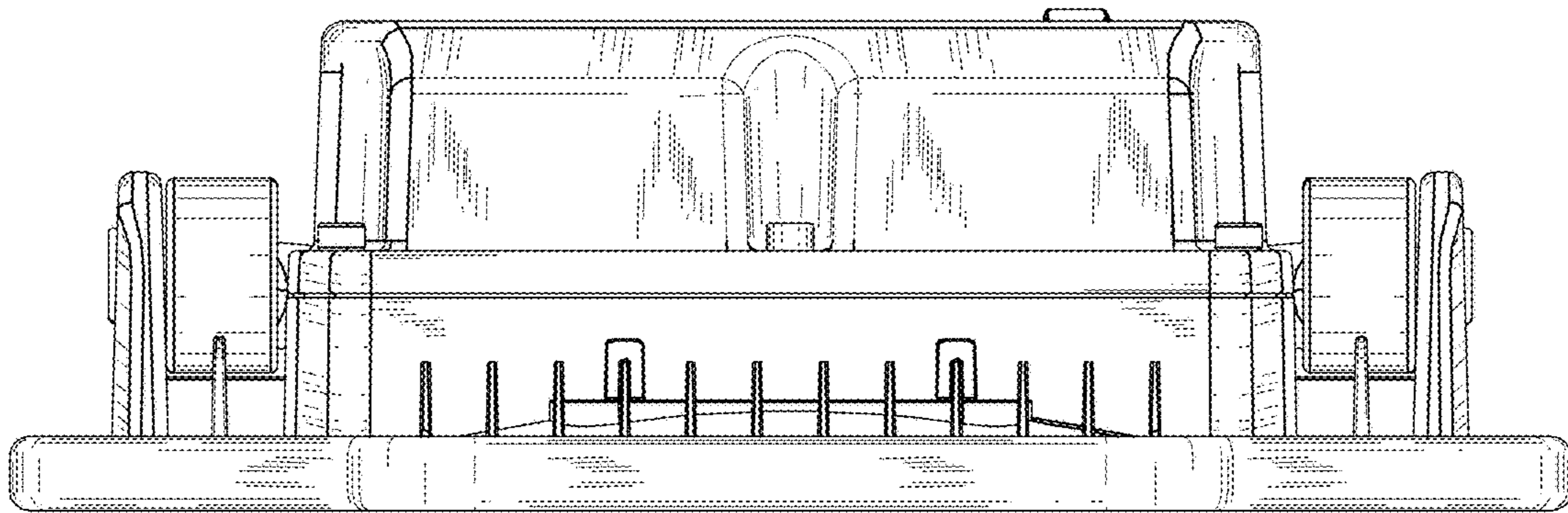


FIG. 5

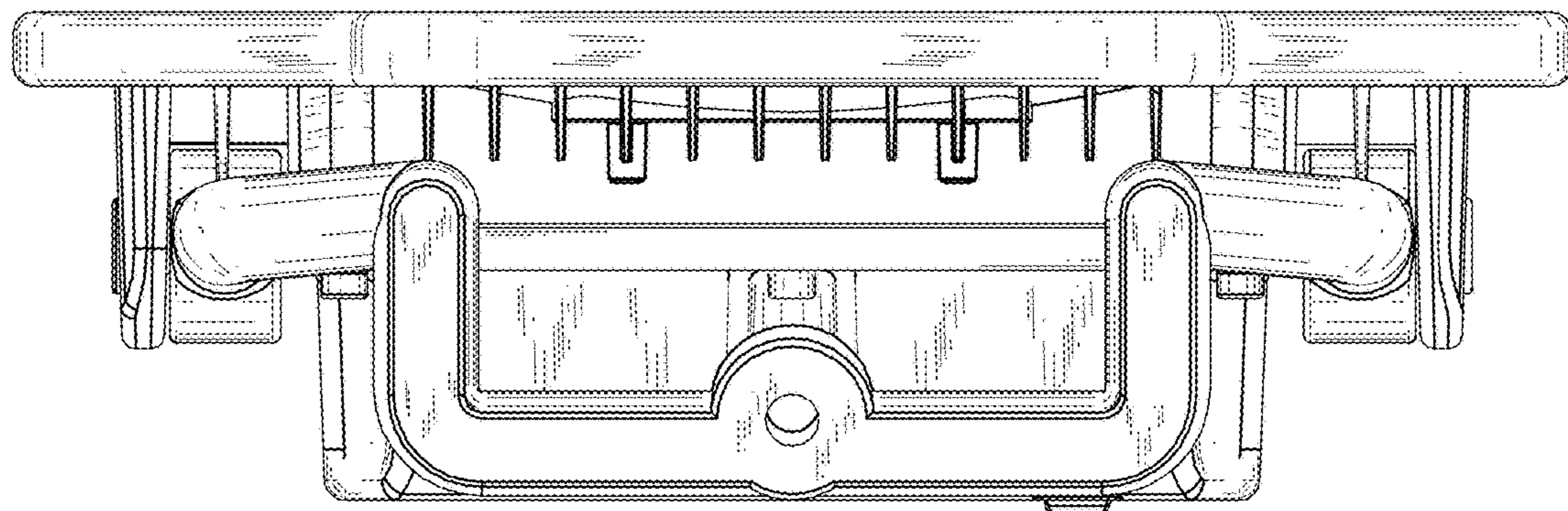


FIG. 6

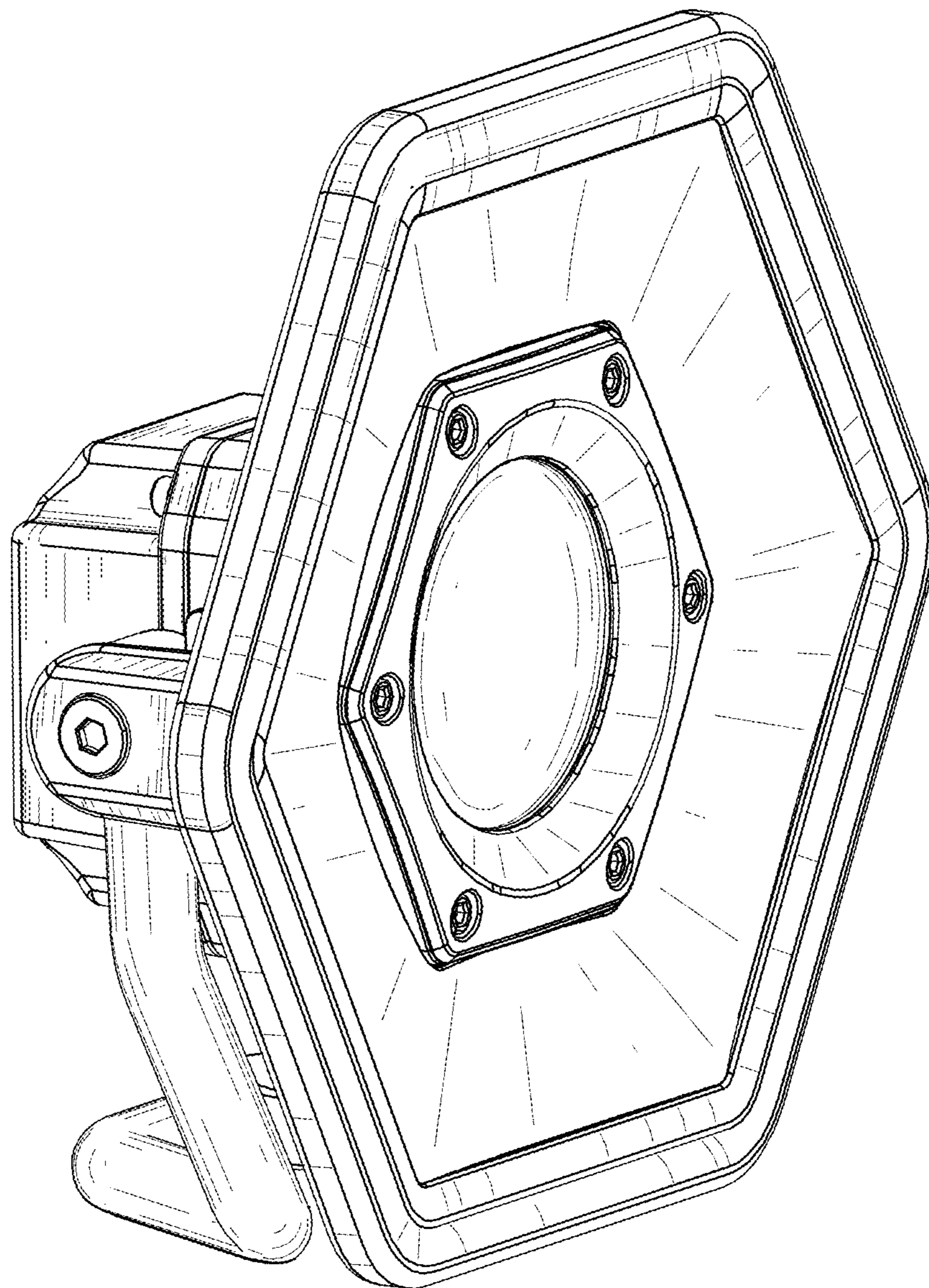


FIG. 7