



US00D817530S

(12) **United States Design Patent** (10) **Patent No.:** **US D817,530 S**  
**Beukema et al.** (45) **Date of Patent:** **\*\* May 8, 2018**

(54) **COMBINATION LIGHT AND TRAY**

(71) Applicant: **STEELCASE INC.**, Grand Rapids, MI (US)

(72) Inventors: **Steven James Beukema**, Grand Rapids, MI (US); **Nathaniel John Vlietstra**, Wayland, MI (US); **Ryan Jerome Ramos**, Grand Rapids, MI (US); **DeVon Robert Robinson**, Grand Rapids, MI (US)

(73) Assignee: **Steelcase Inc.**, Grand Rapids, MI (US)

(\*\*) Term: **15 Years**

(21) Appl. No.: **29/582,640**

(22) Filed: **Oct. 28, 2016**

(51) **LOC (11) Cl.** ..... **26-03**

(52) **U.S. Cl.**  
USPC ..... **D26/51**

(58) **Field of Classification Search**  
USPC ..... D26/51-59, 104, 106, 107, 110  
(Continued)

(56) **References Cited**

U.S. PATENT DOCUMENTS

D221,583 S 8/1971 Donato  
D267,046 S 11/1982 Bessone  
(Continued)

*Primary Examiner* — Brian N. Vinson

(74) *Attorney, Agent, or Firm* — Brinks Gilson & Lione

(57) **CLAIM**

The ornamental design for a combination light and tray, as shown and described.

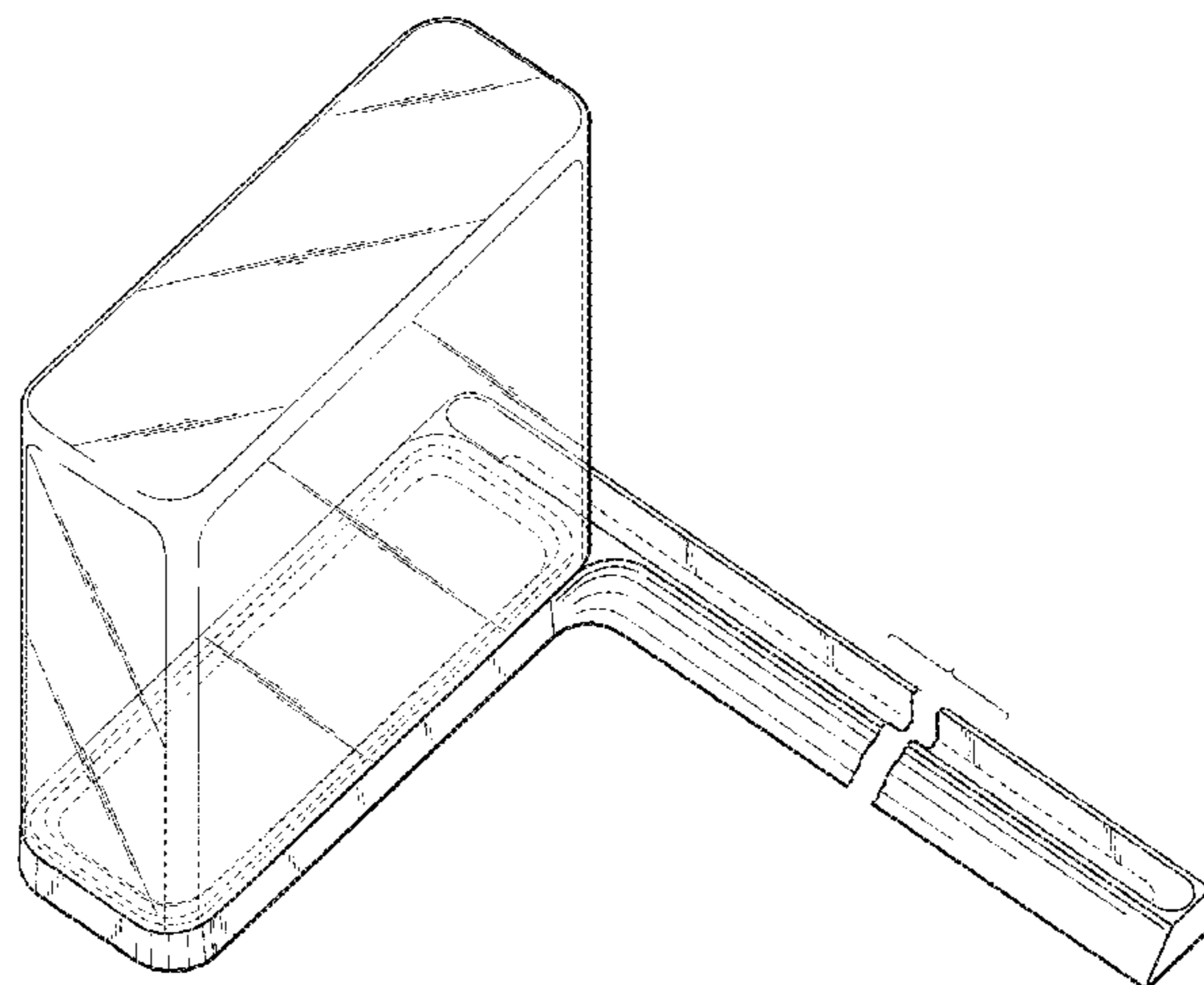
**DESCRIPTION**

FIG. 1 is a top front perspective view of a combination light and tray of the present design;

FIG. 2 is a front elevation view thereof;  
FIG. 3 is a right-side elevation view thereof;  
FIG. 4 is a left side elevation view thereof;  
FIG. 5 is a rear elevation view thereof;  
FIG. 6 is a top plan view thereof;  
FIG. 7 is a top front perspective view of a light element of the present design;  
FIG. 8 is a front elevation view thereof;  
FIG. 9 is a right-side elevation view thereof;  
FIG. 10 is a left side elevation view thereof;  
FIG. 11 is a rear elevation view thereof;  
FIG. 12 is a top plan view thereof;  
FIG. 13 is a top front perspective view of a tray element of the present design;  
FIG. 14 is a front elevation view thereof;  
FIG. 15 is a right-side elevation view thereof;  
FIG. 16 is a left side elevation view thereof;  
FIG. 17 is a rear elevation view thereof;  
FIG. 18 is a top plan view thereof;  
FIG. 19 is a top left/rear perspective view of a combination light and tray, shown with one potential environment;  
FIG. 20 is a left side perspective view thereof;  
FIG. 21 is a top perspective view of a combination light and tray, shown with one potential environment; and,  
FIG. 22 is a top perspective view thereof, from a different orientation.

Interior surfaces and other portions of the combination light and tray not shown in the illustrated drawings, including the bottom, form no part of the claimed design. Broken lines show environmental structure and boundaries that form no part of the claimed design. Oblique line shading on surfaces of the light portion illustrates that those surfaces allow through-passage of light by being translucent or transparent. The drawings and present description also provide disclosure so that those of skill in the art will understand it to include a mirror image configuration where the longer, narrow tray structure extends from the left end rather than from the right end as shown in the drawing figures referenced above (including with particular reference to FIGS. 1-6 and 13-22).

**1 Claim, 12 Drawing Sheets**



(58) **Field of Classification Search**

CPC .... F21S 8/03; F21S 8/031; F21S 8/033; F21S  
8/036; F21S 9/03; F21S 9/037; F21V  
21/025; F21V 17/08; F21V 17/10

See application file for complete search history.

(56) **References Cited**

U.S. PATENT DOCUMENTS

D270,481 S	9/1983	Whitright	
D411,634 S	6/1999	Connelly	
D414,713 S	10/1999	Renk	
D435,912 S	1/2001	Muller	
D465,874 S	11/2002	Garvin et al.	
D485,003 S *	1/2004	Olson .....	D26/104
D508,042 S	8/2005	Oikawa	
D530,040 S *	10/2006	Smith .....	D26/104
D557,450 S	12/2007	Barbeau et al.	
D579,136 S	10/2008	Massucci	
D606,235 S	12/2009	Mama et al.	
D613,899 S	4/2010	Whittier et al.	
D643,964 S	8/2011	Heyrman	
D643,965 S	8/2011	Sprengers	
D676,996 S	2/2013	Gismondi	
D701,981 S	4/2014	Gates	
D734,531 S	7/2015	Tragatschnig	
D757,340 S *	5/2016	Girard .....	D26/106
D766,493 S *	9/2016	Hoshikawa .....	D26/107
D767,811 S *	9/2016	Cannon .....	D26/106
D770,655 S *	11/2016	Leanza .....	D26/51

\* cited by examiner

Fig. 1

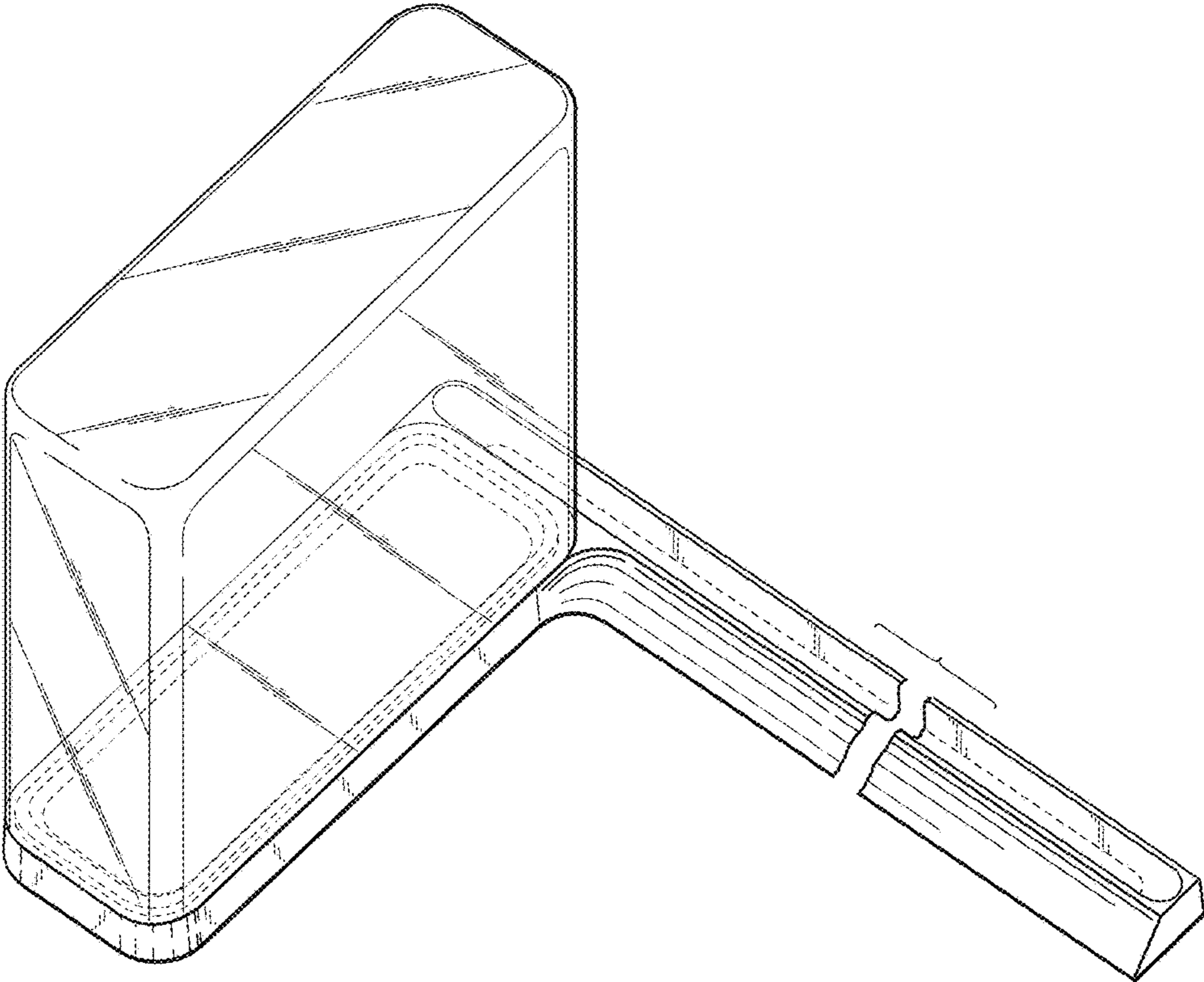


Fig. 2

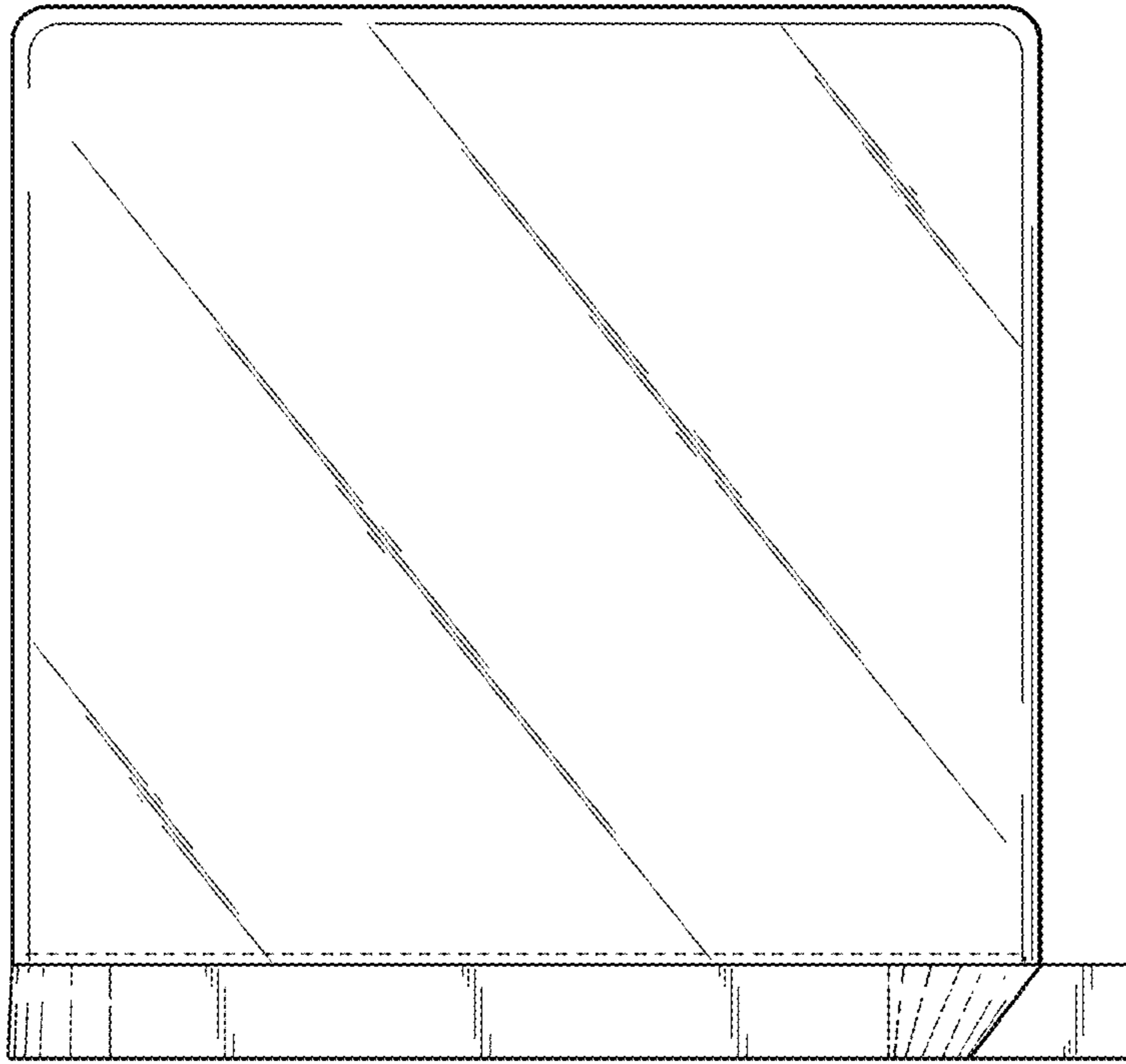
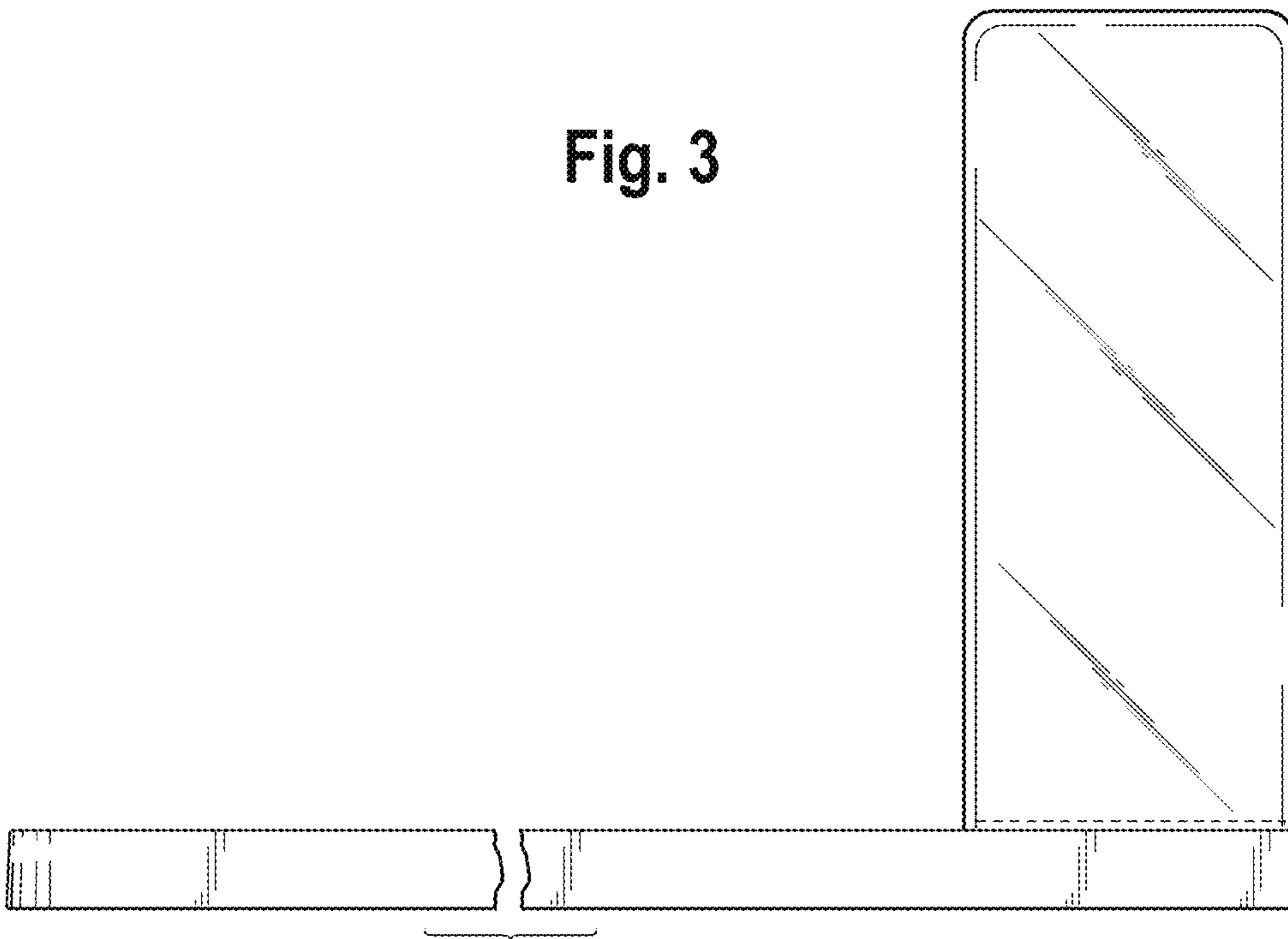


Fig. 3



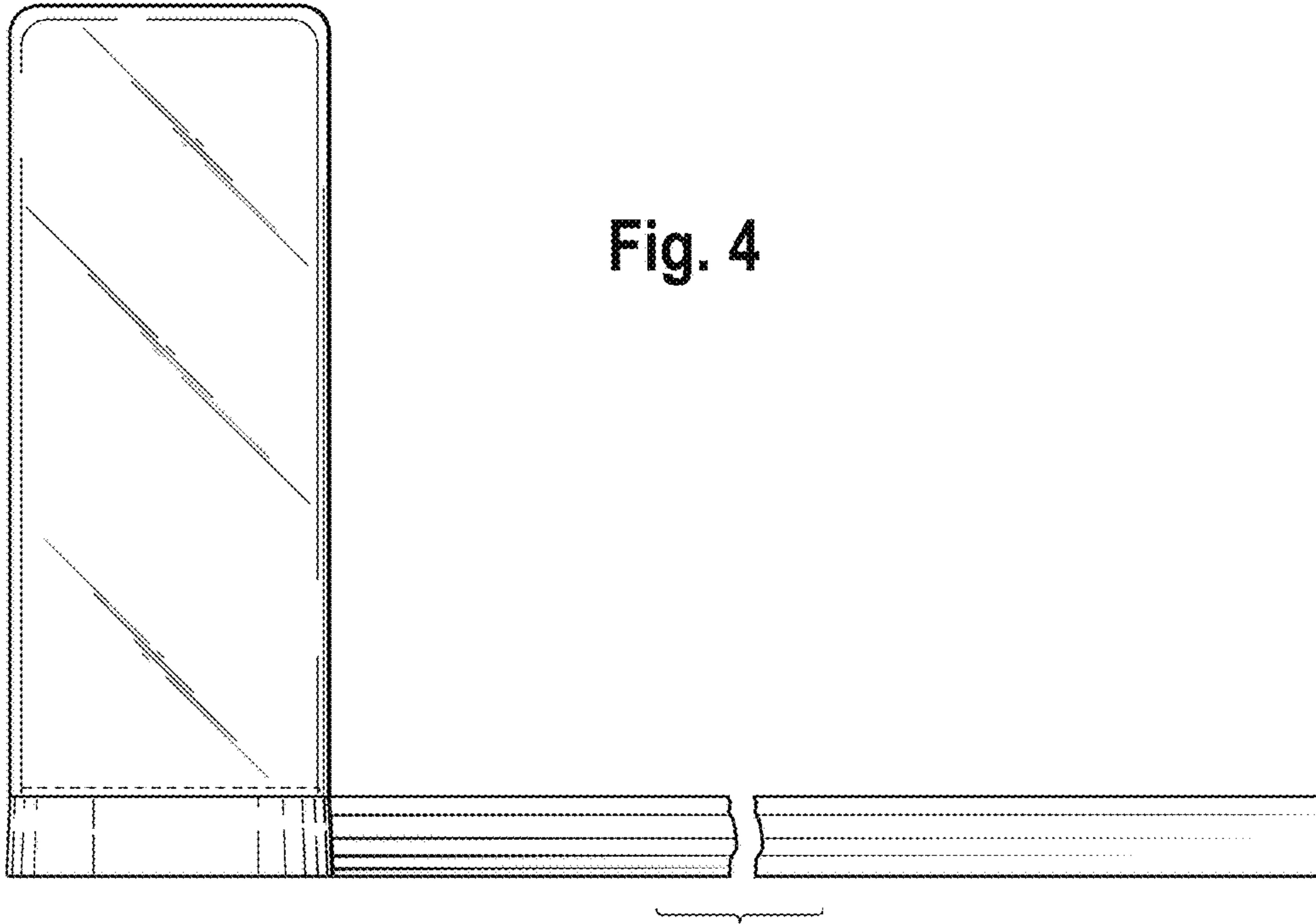
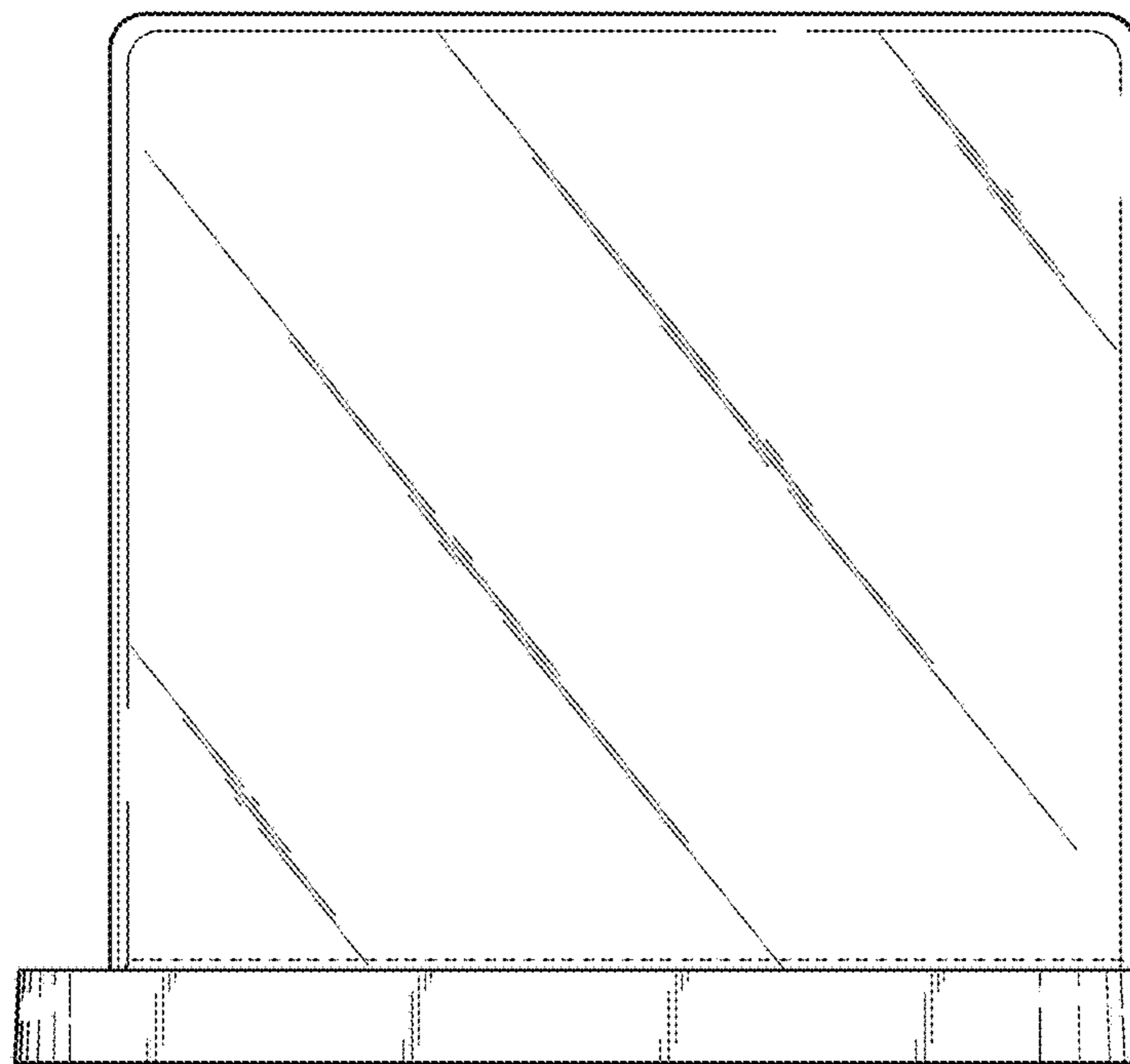


Fig. 5



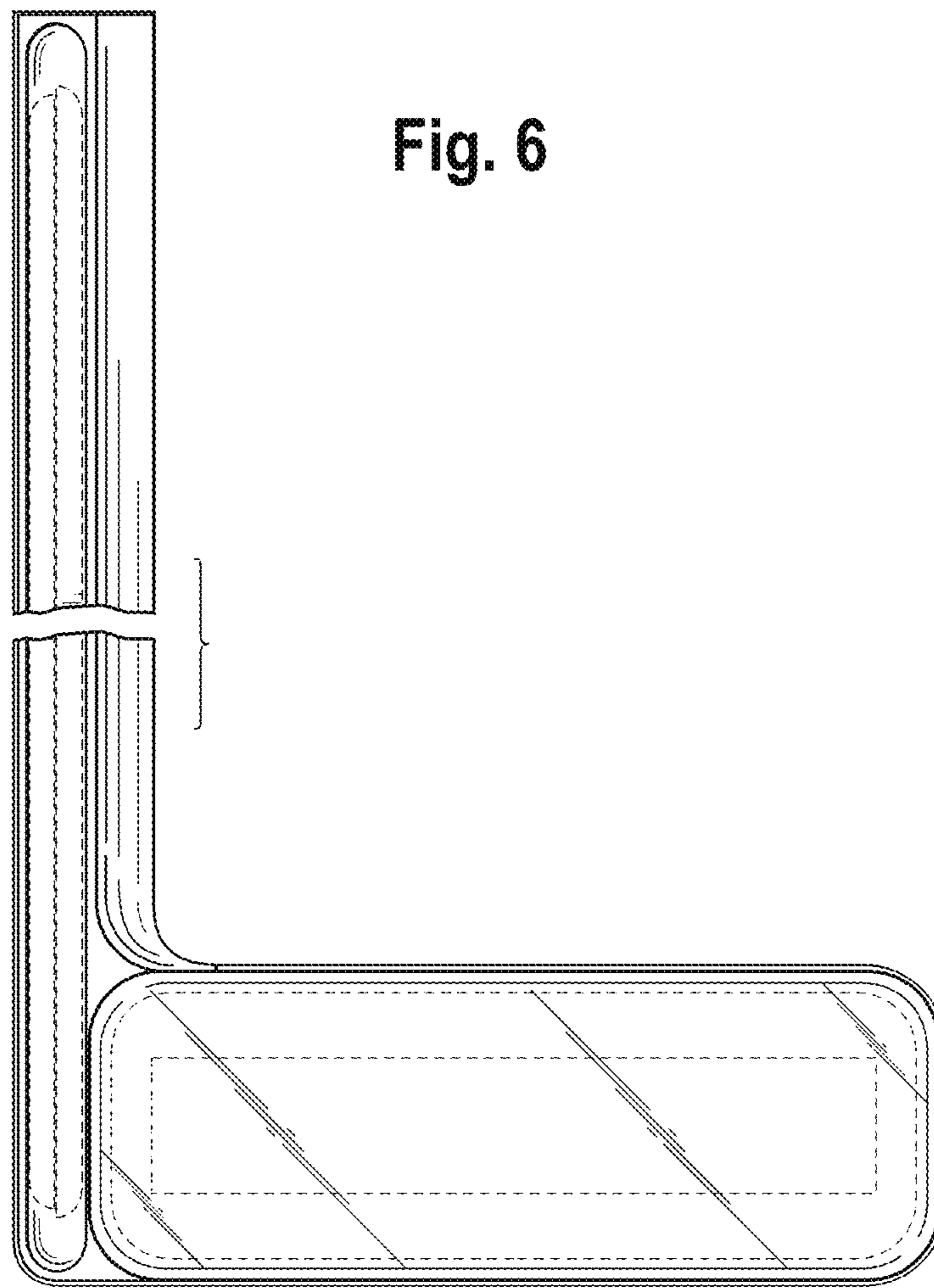


Fig. 6

Fig. 7

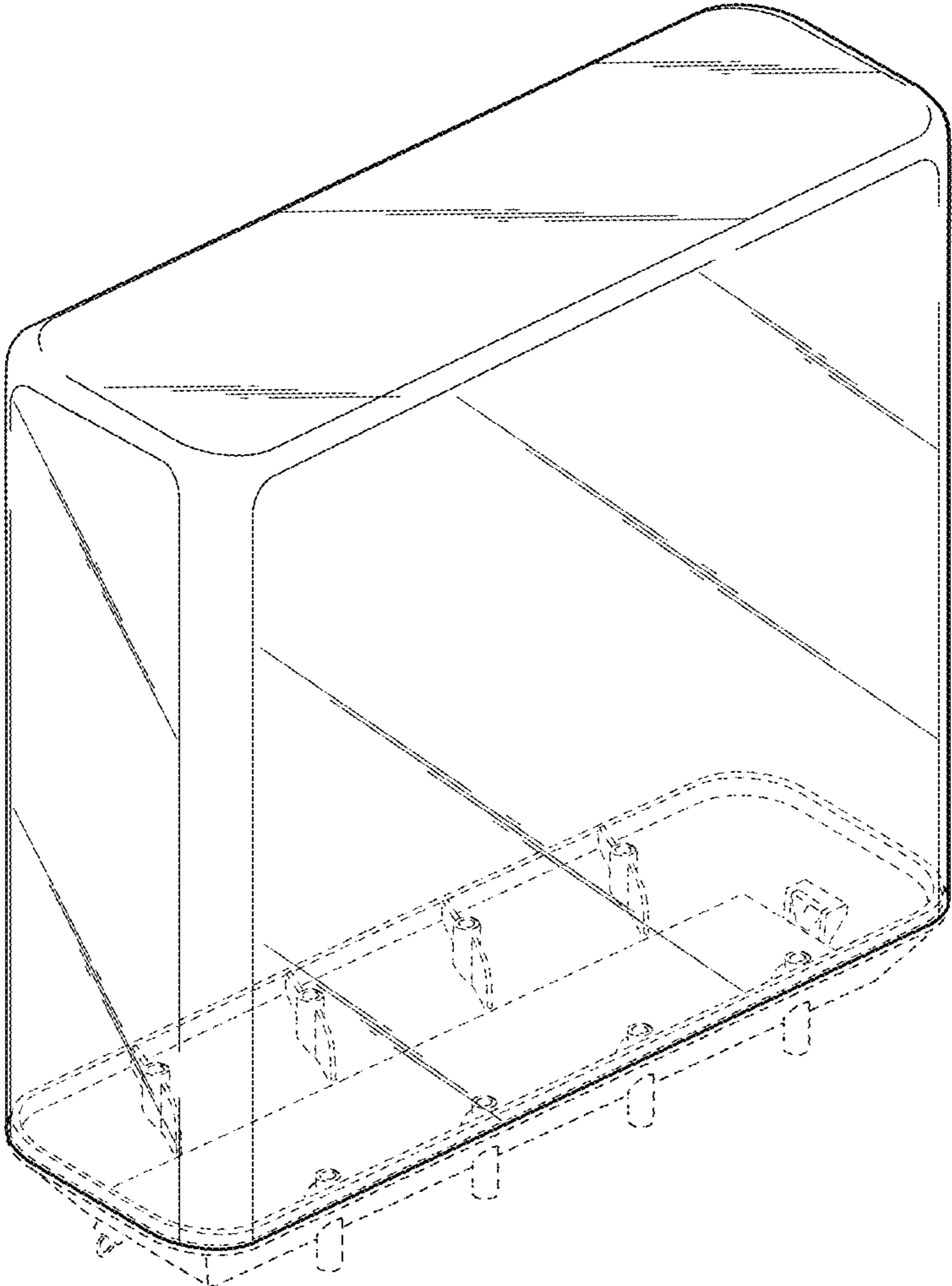


Fig. 8

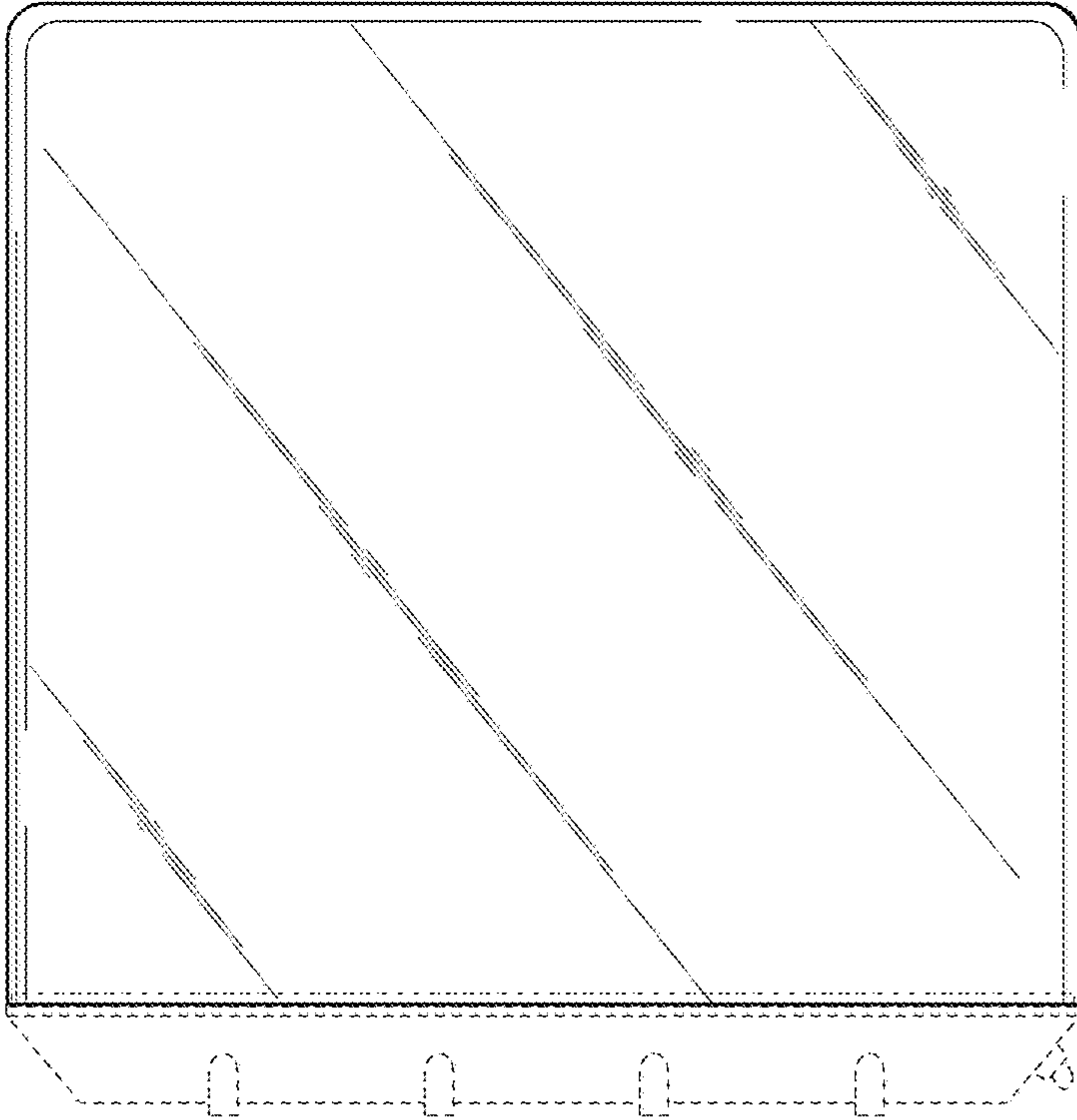


Fig. 9

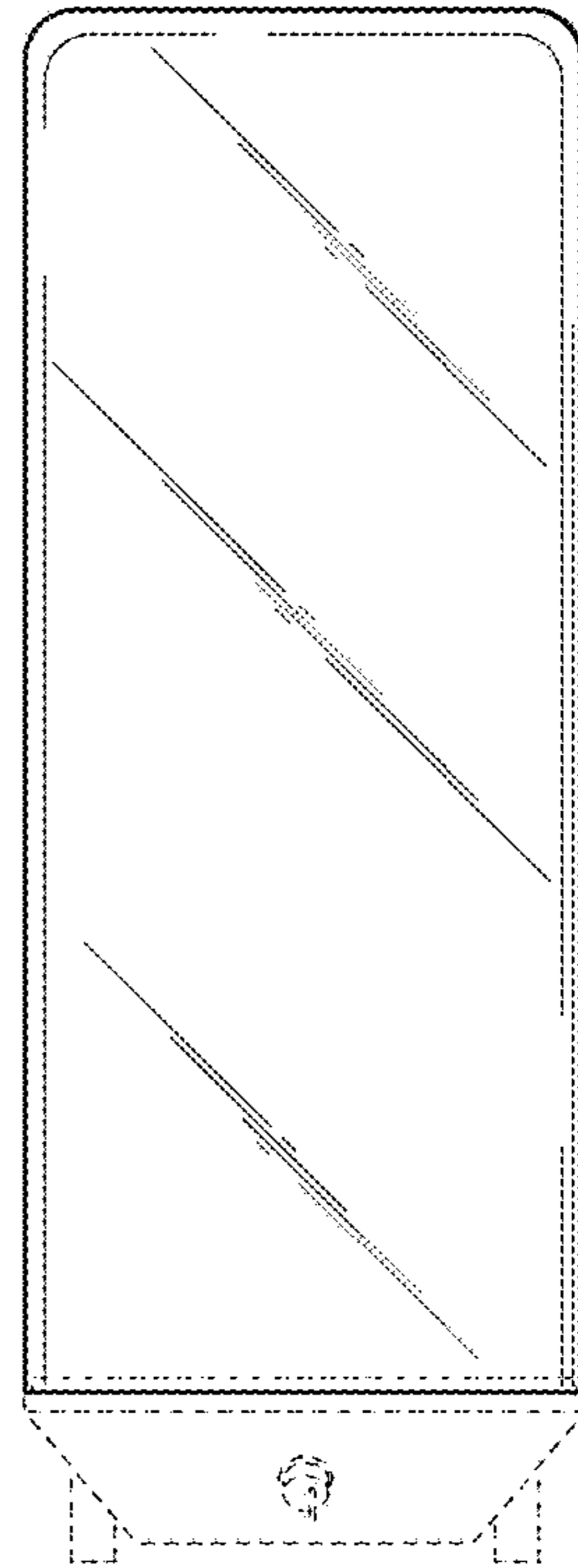




Fig. 10

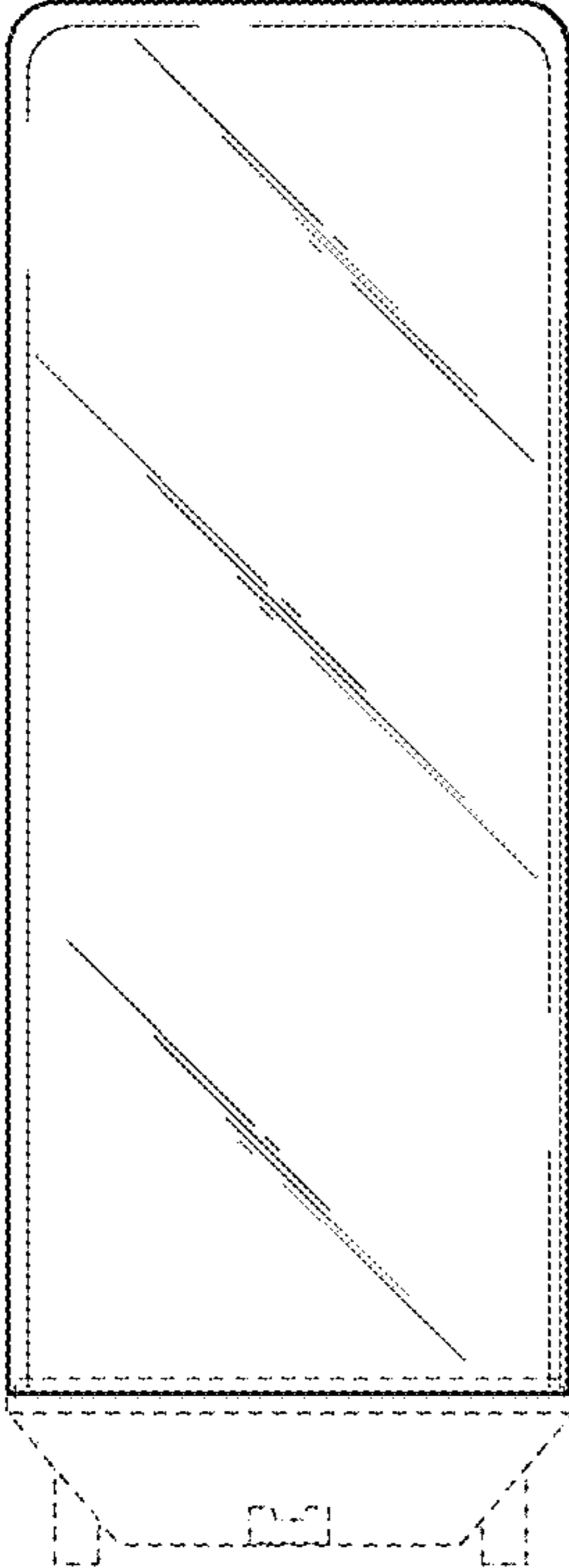


Fig. 11

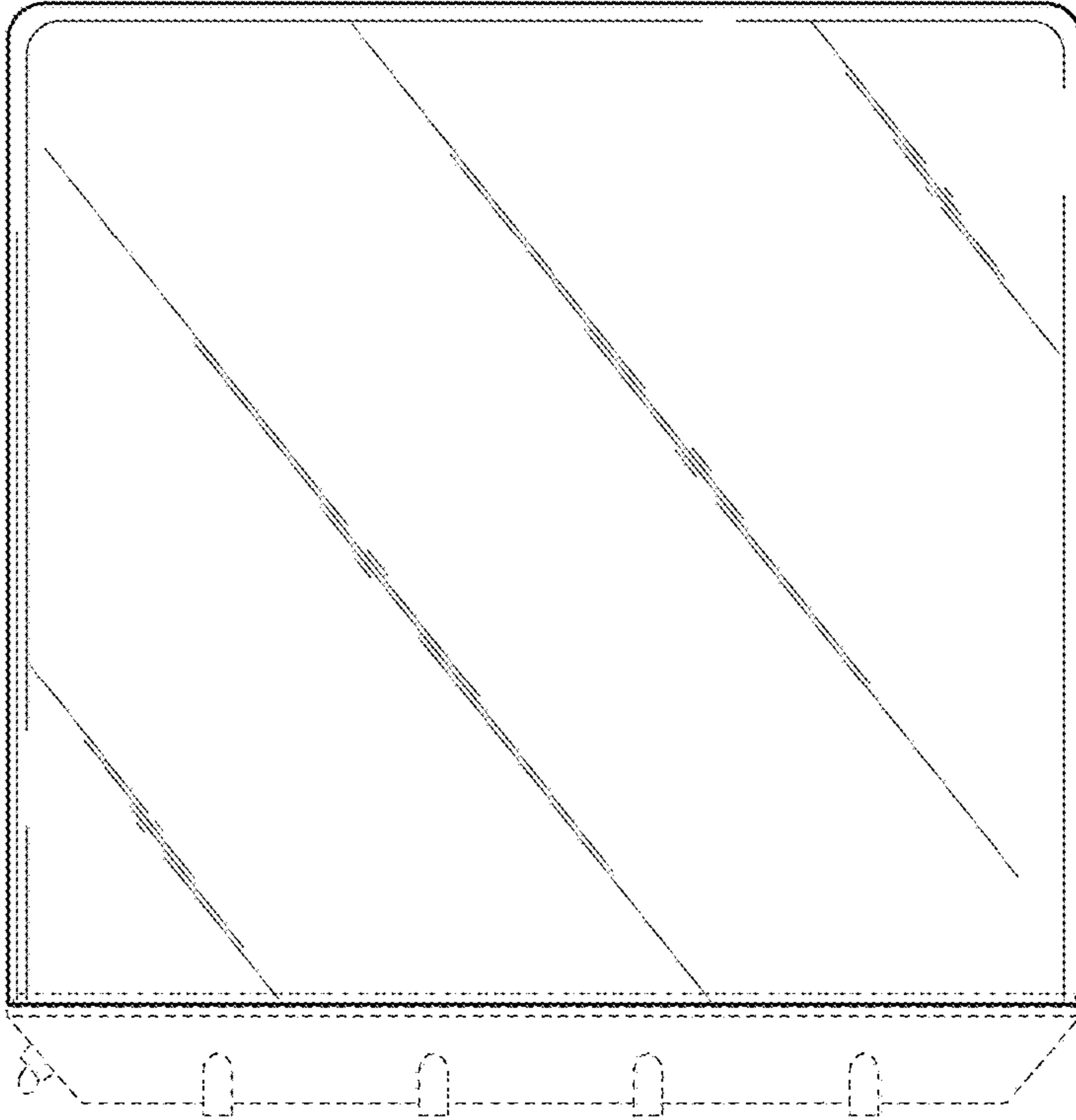


Fig. 12

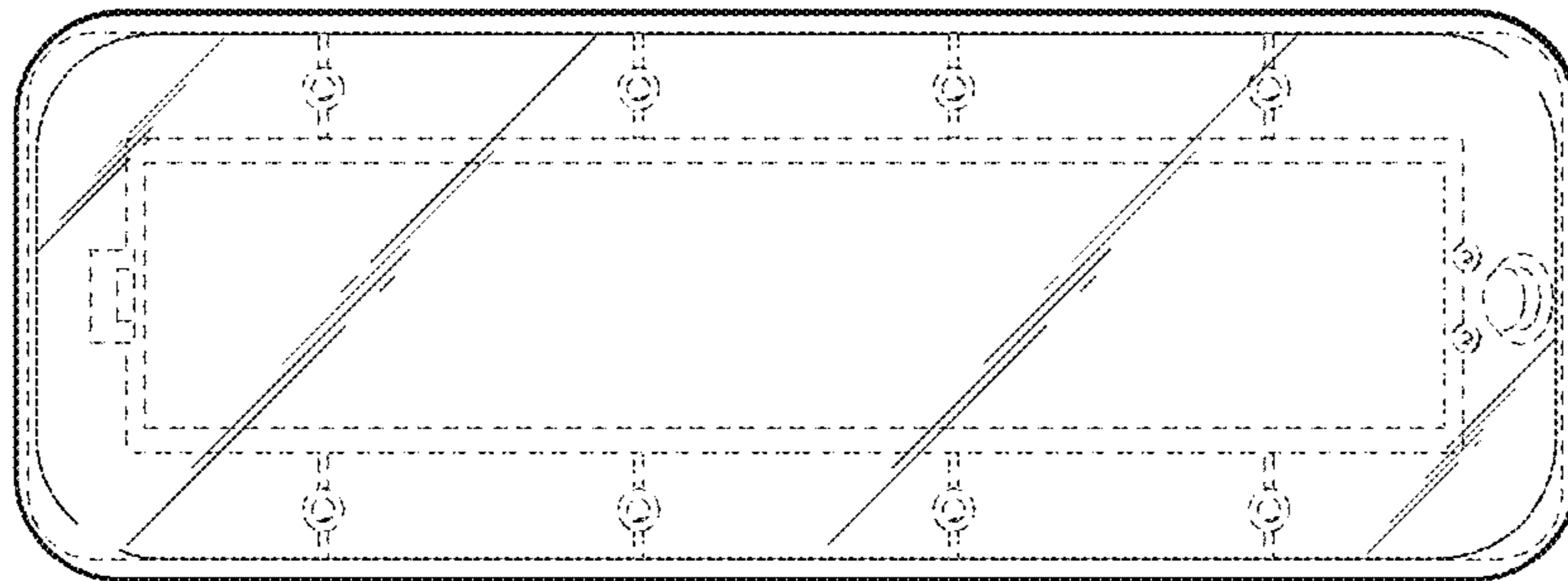


Fig. 13

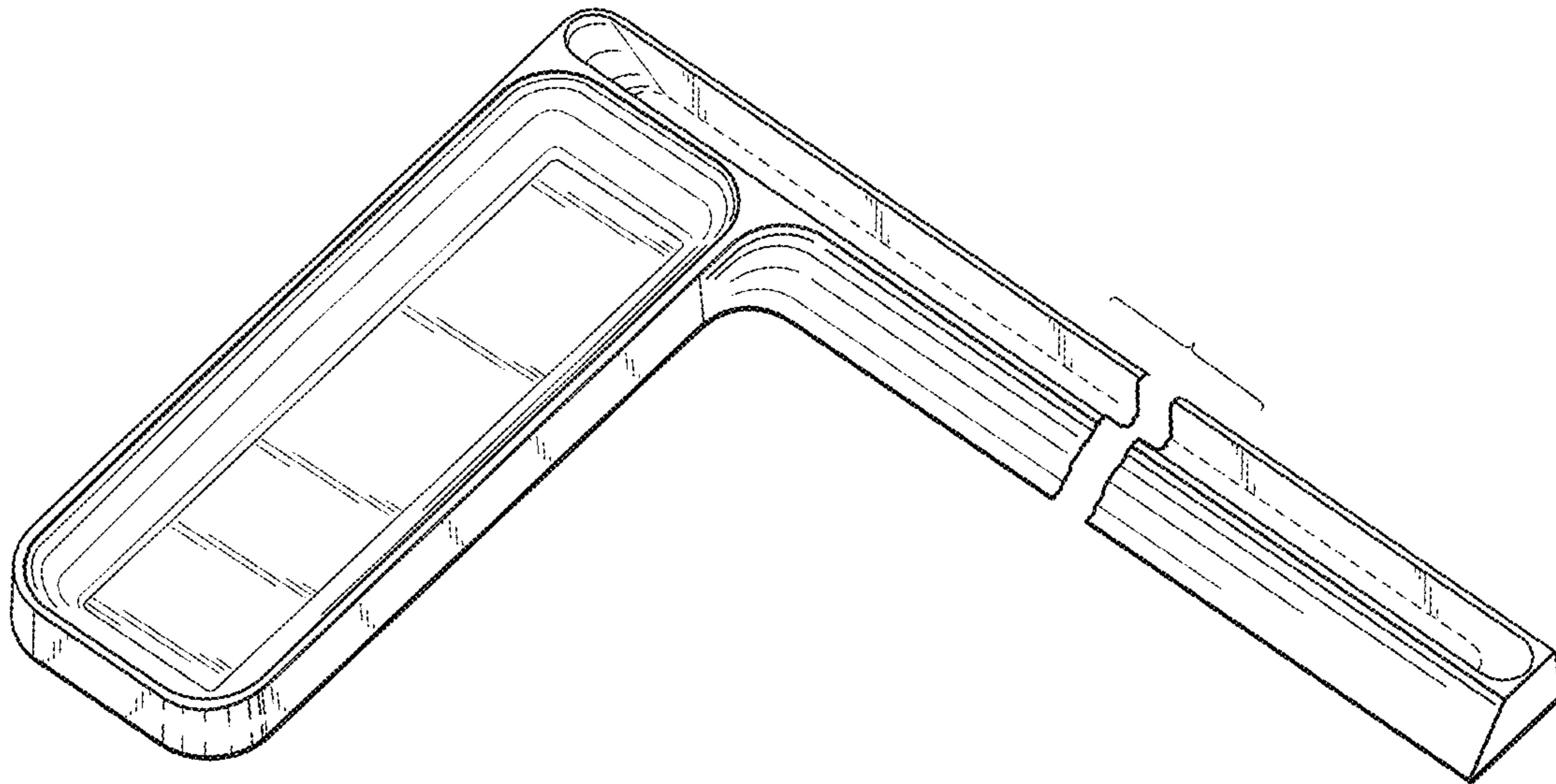


Fig. 14



Fig. 15



Fig. 16

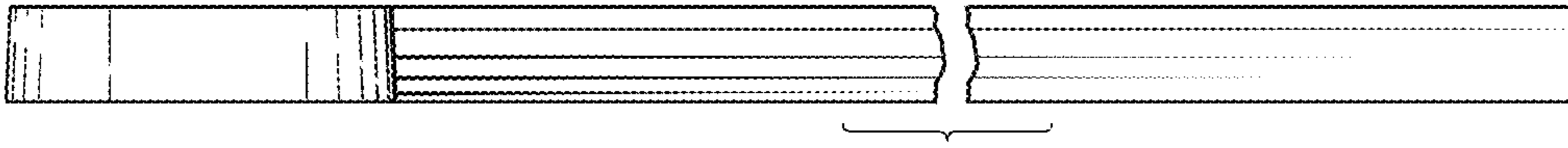


Fig. 17

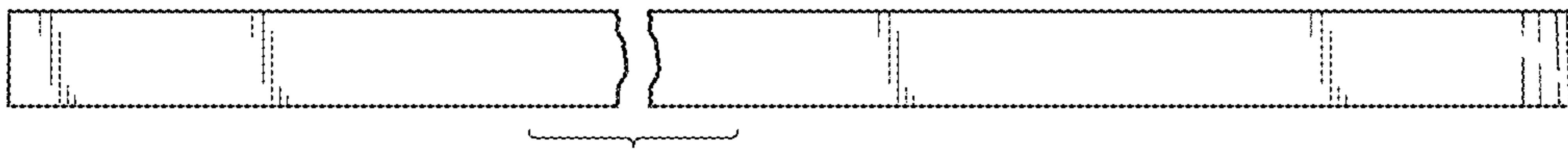


Fig. 18

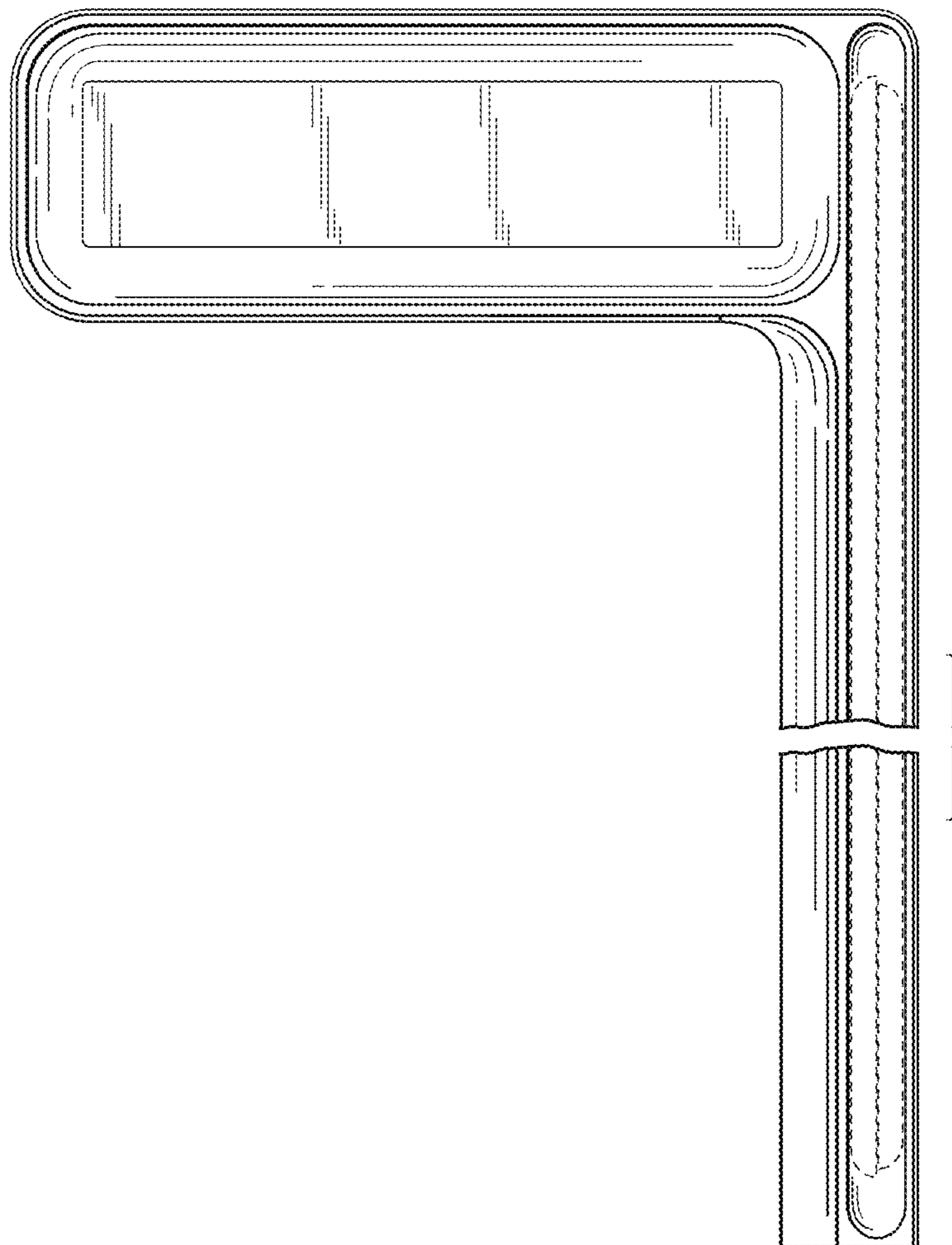


Fig. 19

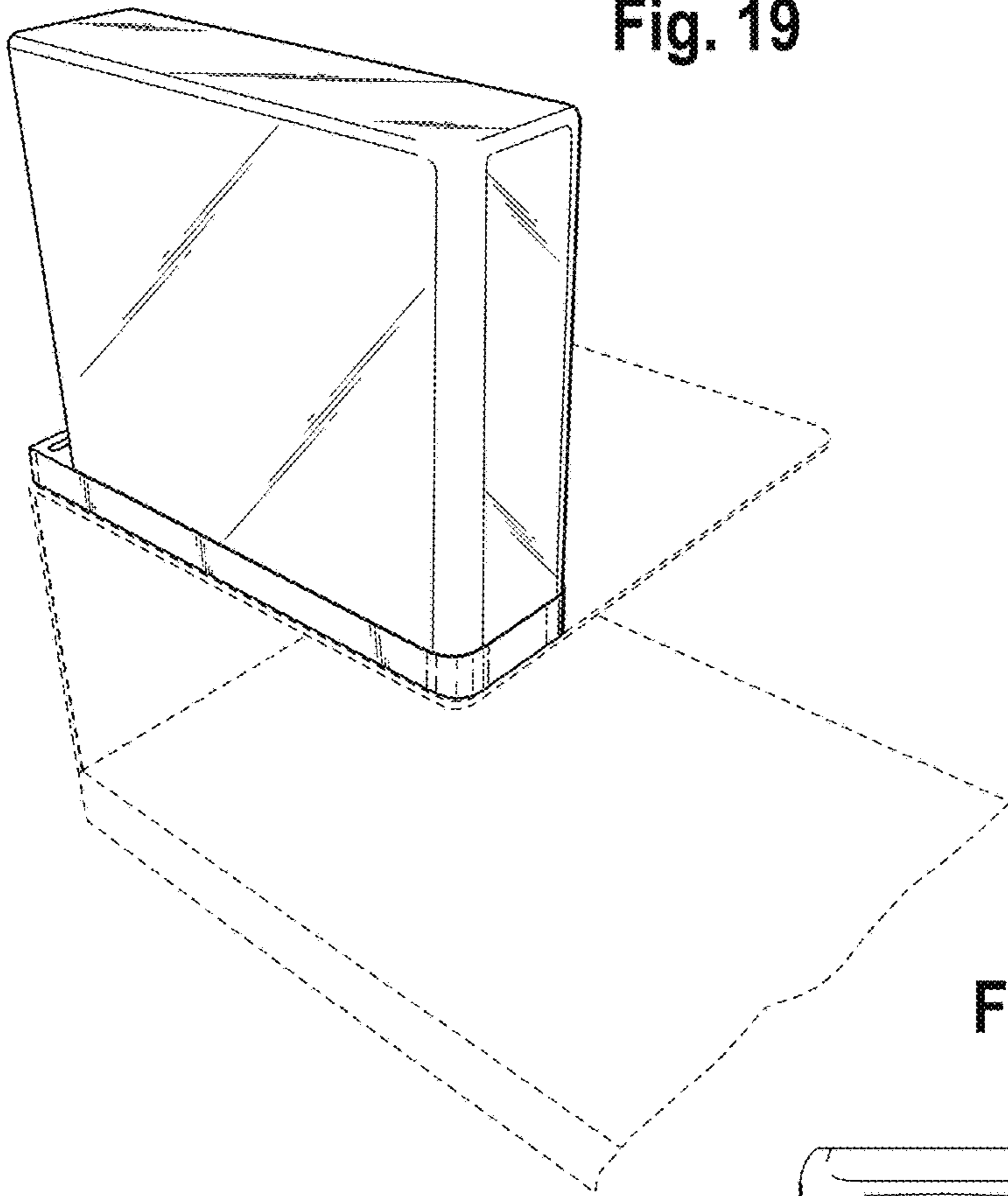
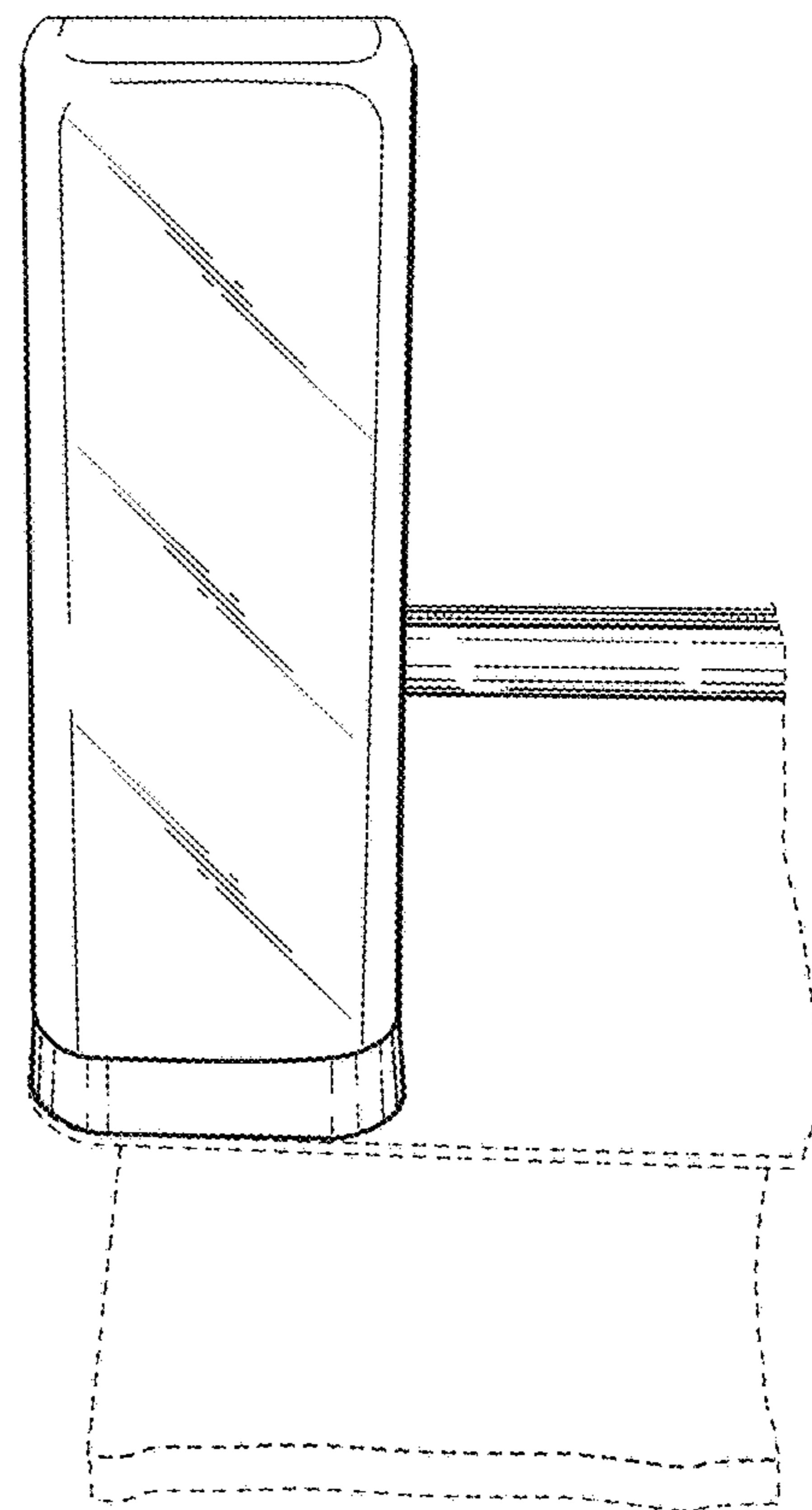


Fig. 20



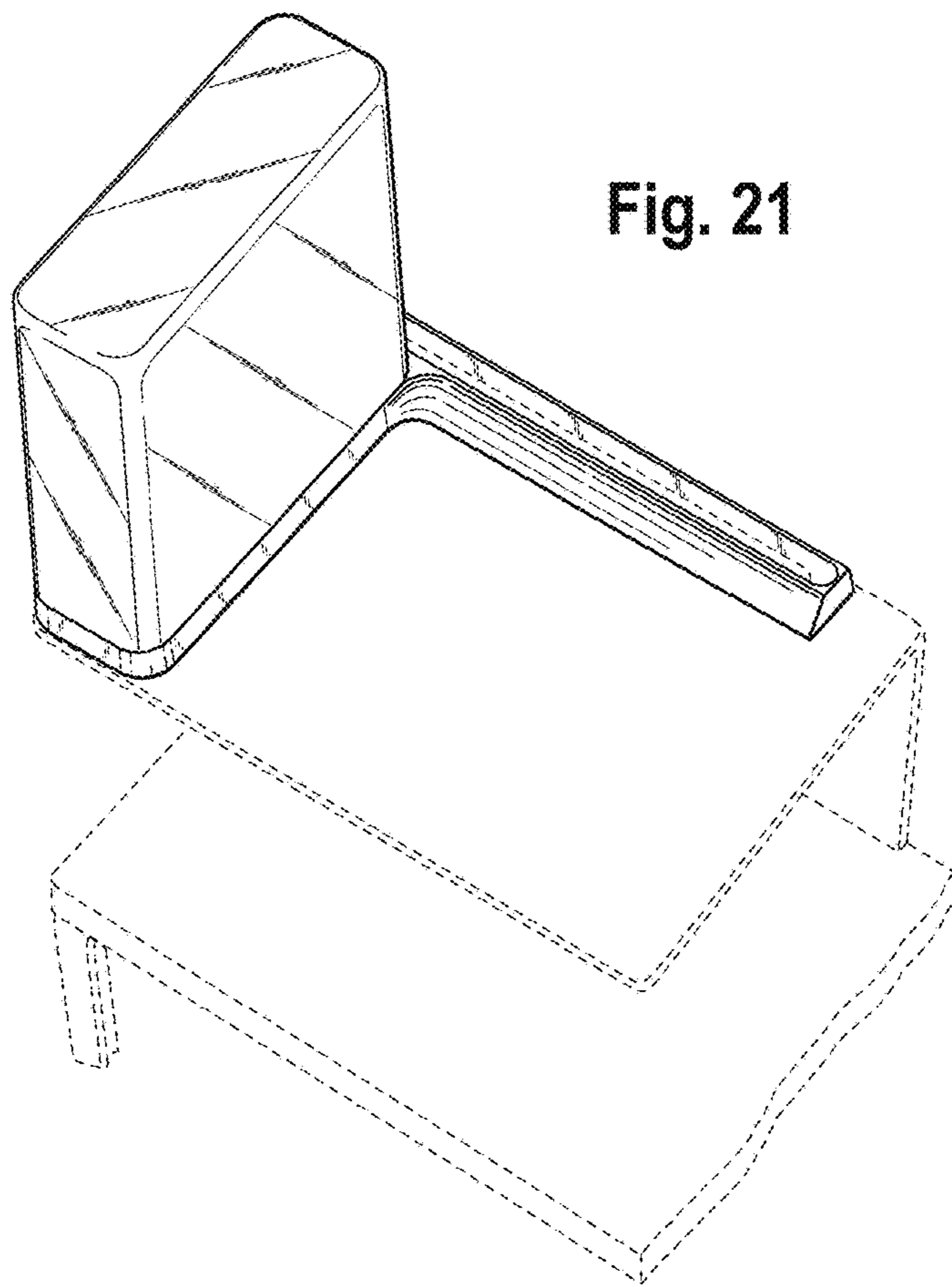


Fig. 21

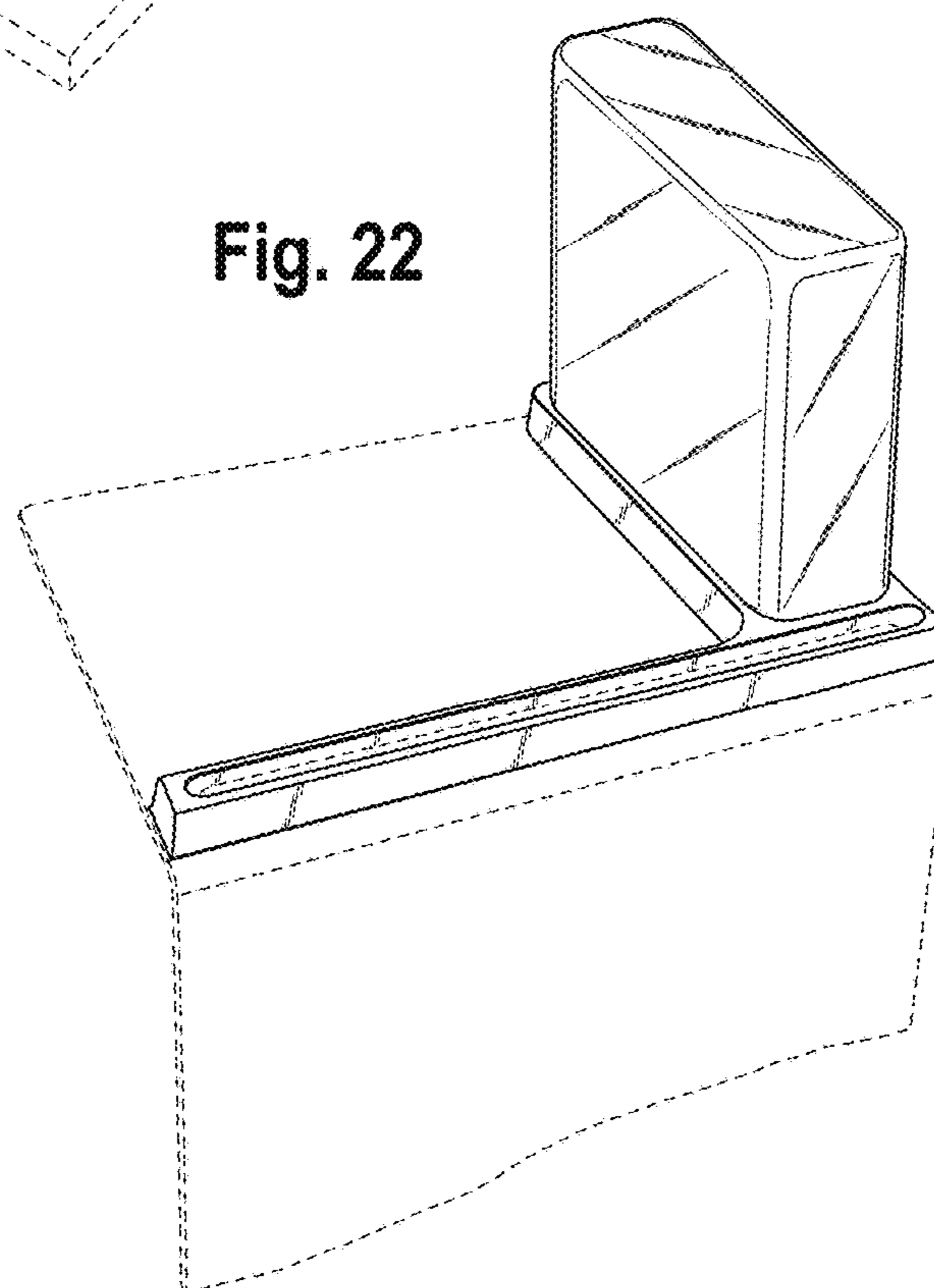


Fig. 22