



US00D817529S

(12) **United States Design Patent**
Jigamian

(10) **Patent No.:** **US D817,529 S**

(45) **Date of Patent:** **** May 8, 2018**

(54) **PORTABLE LIGHT WITH MOVABLE AND LOCKABLE HANDLES**

(71) Applicant: **Surefire LLC**, Fountain Valley, CA (US)

(72) Inventor: **Gregory Z. Jigamian**, Temecula, CA (US)

(73) Assignee: **SureFire, LLC.**, Fountain Valley, CA (US)

(**) Term: **14 Years**

(21) Appl. No.: **29/492,118**

(22) Filed: **May 28, 2014**

(51) **LOC (11) Cl.** **26-02**

(52) **U.S. Cl.**
USPC **D26/50**

(58) **Field of Classification Search**
USPC D26/37, 38, 40, 41, 46, 49, 48, 50;
362/157, 158, 183, 184, 194-196,
362/200-208; D32/53; D8/300, 306,
D8/321, 313, 401, 325
CPC F21V 33/00; F21V 14/025; F21V 21/406;
F21Y 2101/02; F21L 17/00; F21L 13/08;
F21L 2001/00; F21L 14/02; B65D 88/54
See application file for complete search history.

(56) **References Cited**

U.S. PATENT DOCUMENTS

D107,097 S *	11/1937	Rideout	D32/53
D235,730 S *	7/1975	Bush	D8/306
D355,736 S *	2/1995	Licari	D32/53
D359,814 S *	6/1995	Yuen	D26/48
D404,158 S *	1/1999	Yuen	D26/50
D422,732 S *	4/2000	Kung	D26/48

D446,326 S *	8/2001	Yeun	D26/48
D481,148 S *	10/2003	Brown	D26/50
D527,153 S *	8/2006	Morad	D32/53
D530,052 S *	10/2006	Berti	D32/53
D546,659 S *	7/2007	Smith	D8/313
D631,630 S *	1/2011	Berti	D32/53
D646,817 S *	10/2011	Yuen	D26/48
D685,559 S *	7/2013	Kessler	D21/472
D723,113 S *	2/2015	Wang	D21/532

* cited by examiner

Primary Examiner — Lakiya Rogers

Assistant Examiner — Carissa C Fitts

(74) *Attorney, Agent, or Firm* — Daniel L. Dawes;
Marcus C. Dawes

(57) **CLAIM**

The ornamental design for a portable light with movable and lockable handles, as shown and described.

DESCRIPTION

FIG. 1 is a front elevational view of the portable light of the present invention with the handles folded down.

FIG. 2 is a rear elevational view of the portable light of FIG. 1.

FIG. 3 is a side elevational view of the right side of the portable light of FIG. 1.

FIG. 4 is a side elevational view of the left side of the portable light of FIG. 1.

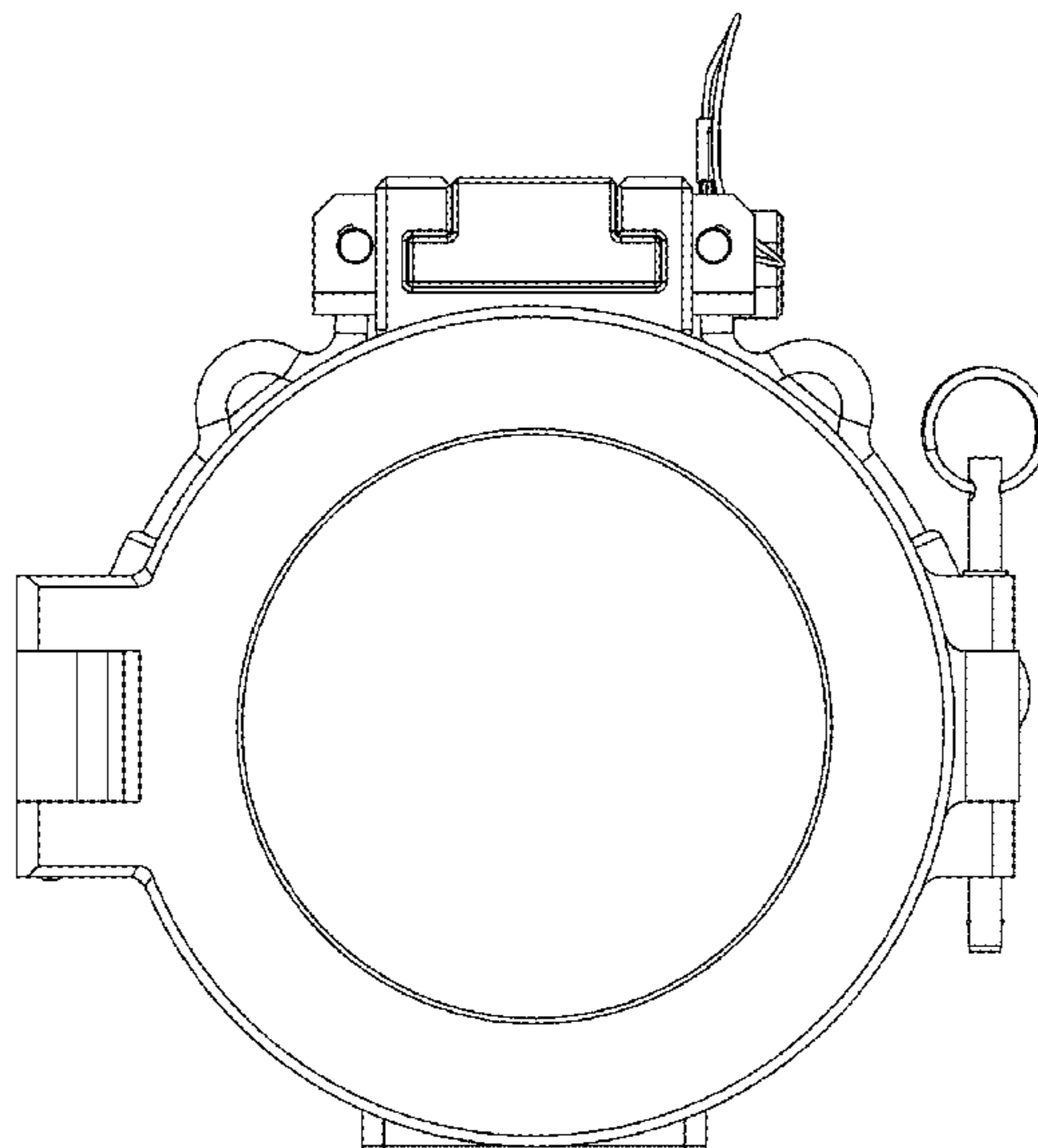
FIG. 5 is a top elevational view of the portable light of FIG. 1.

FIG. 6 is a bottom elevational view of the portable light of FIG. 1; and,

FIG. 7 is a front perspective view of the portable light of FIG. 1.

The broken line showing represents unclaimed portions of the article and form no part of the claimed design.

1 Claim, 7 Drawing Sheets



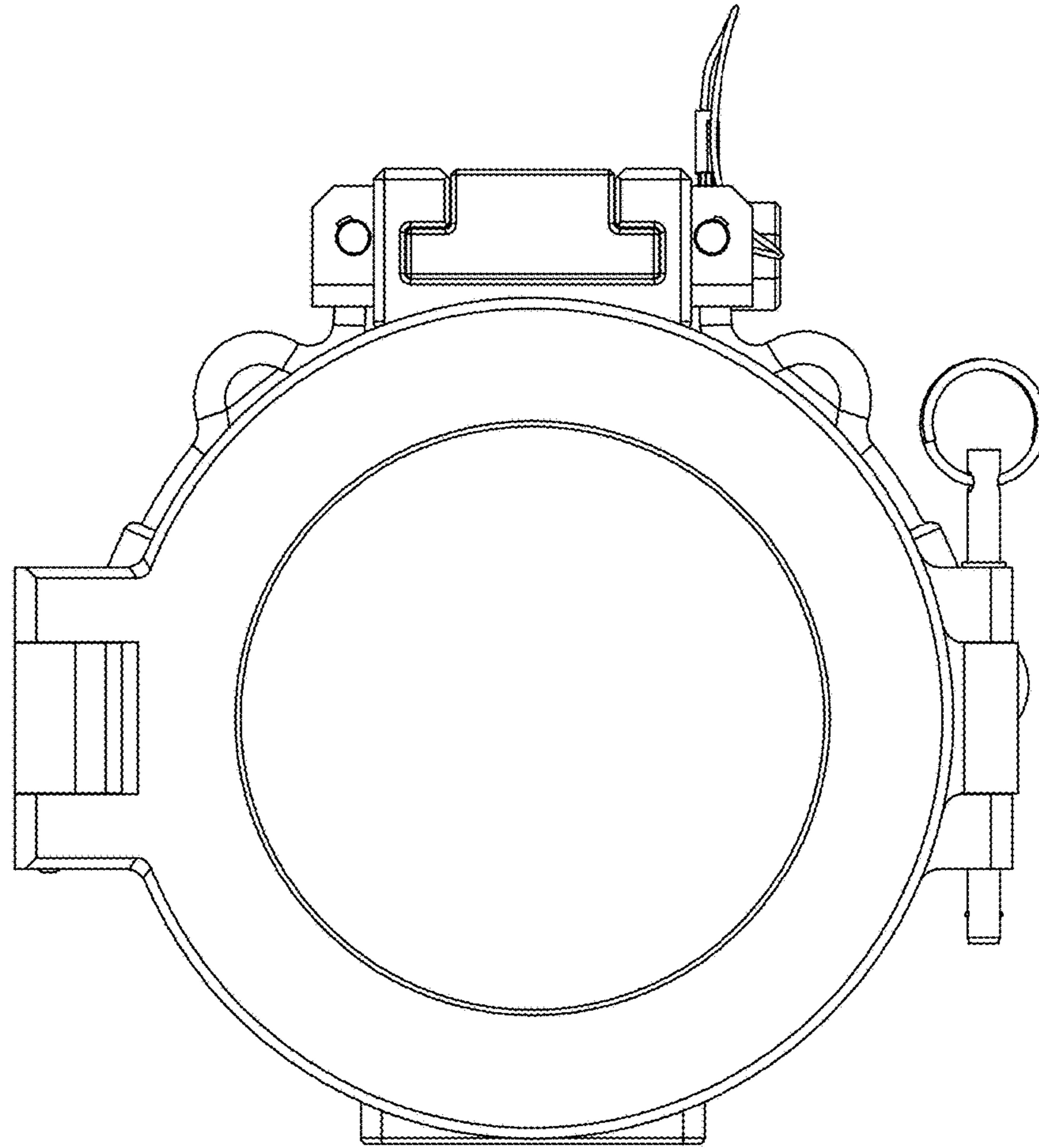


FIG. 1

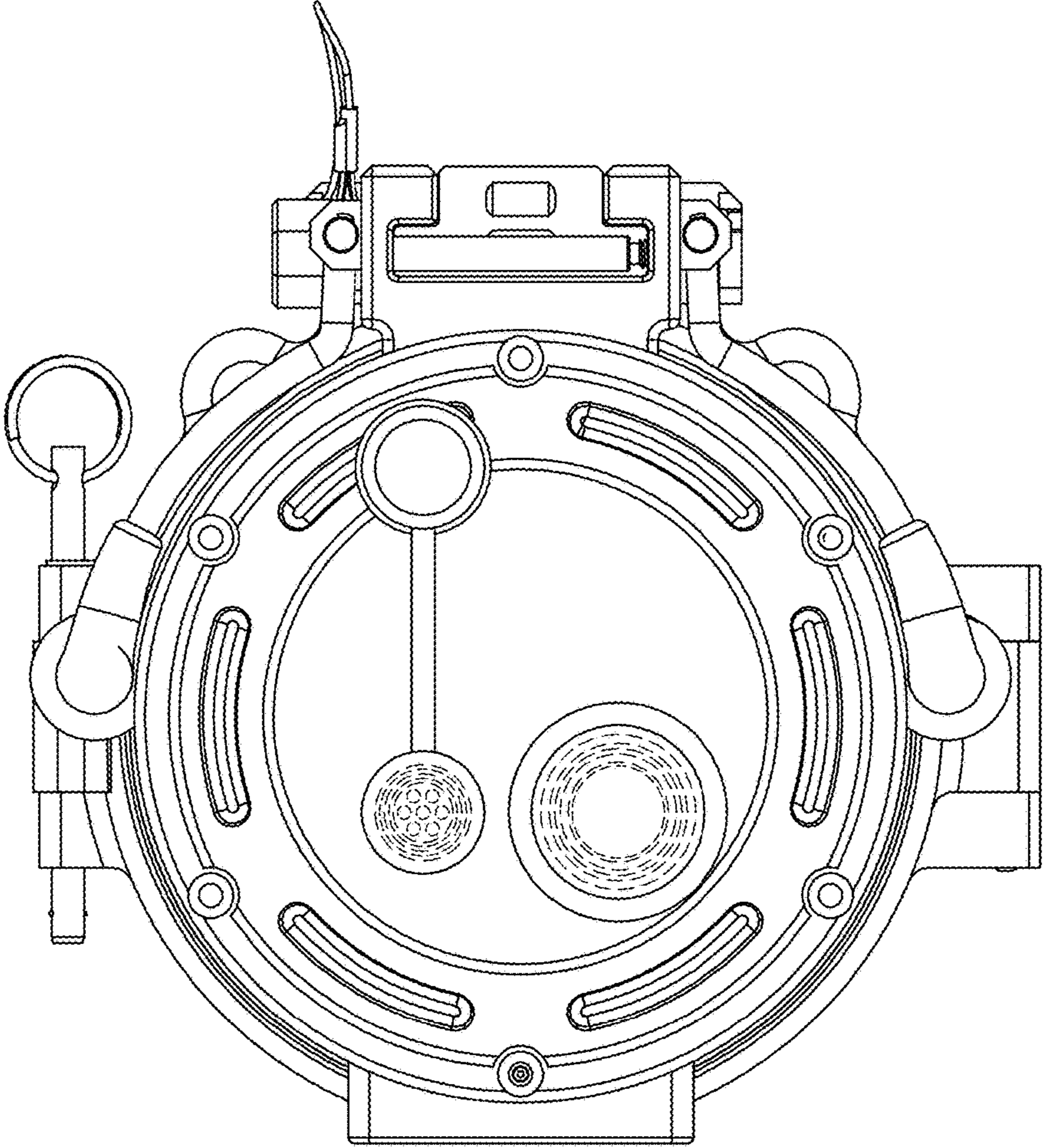


FIG. 2

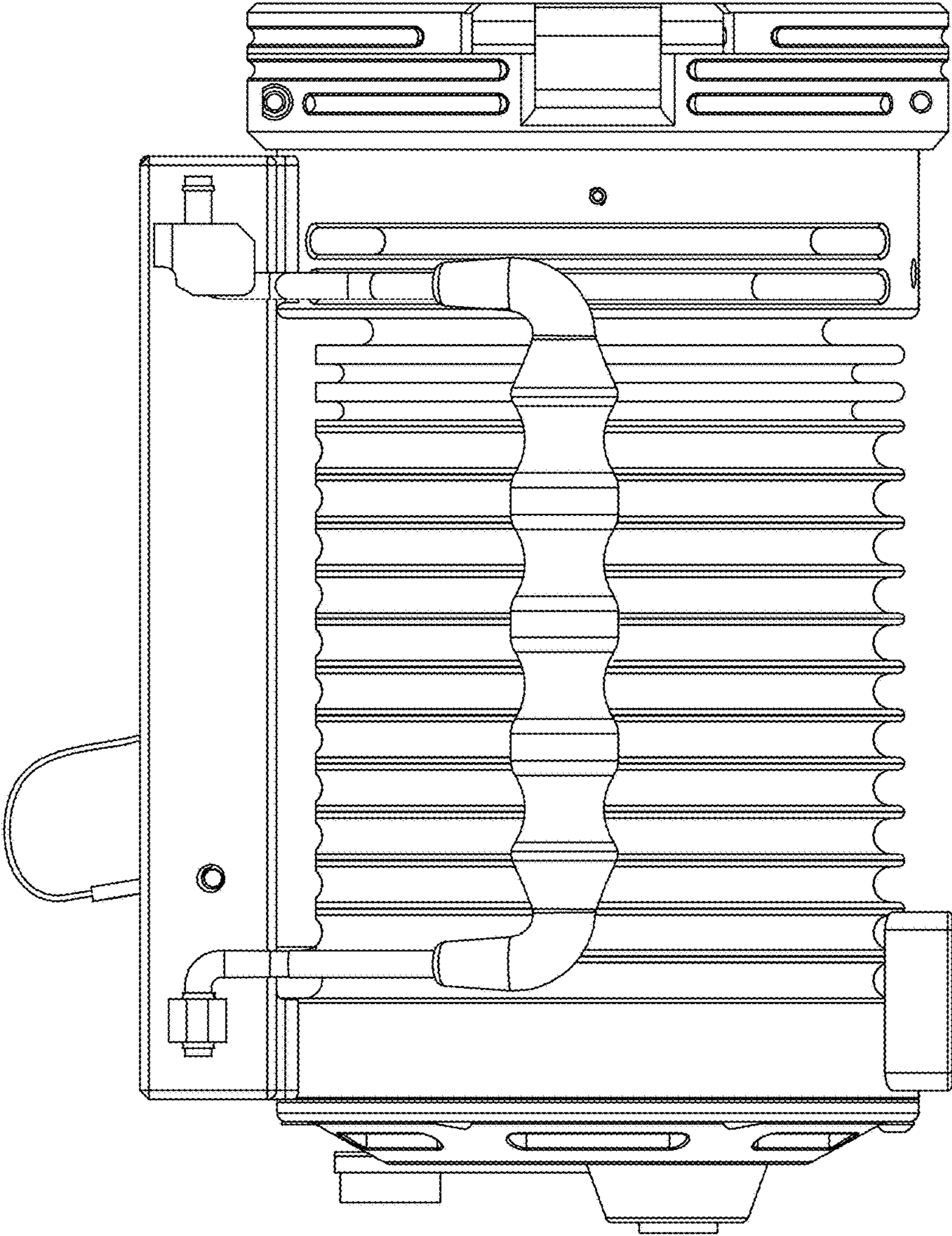


FIG. 3

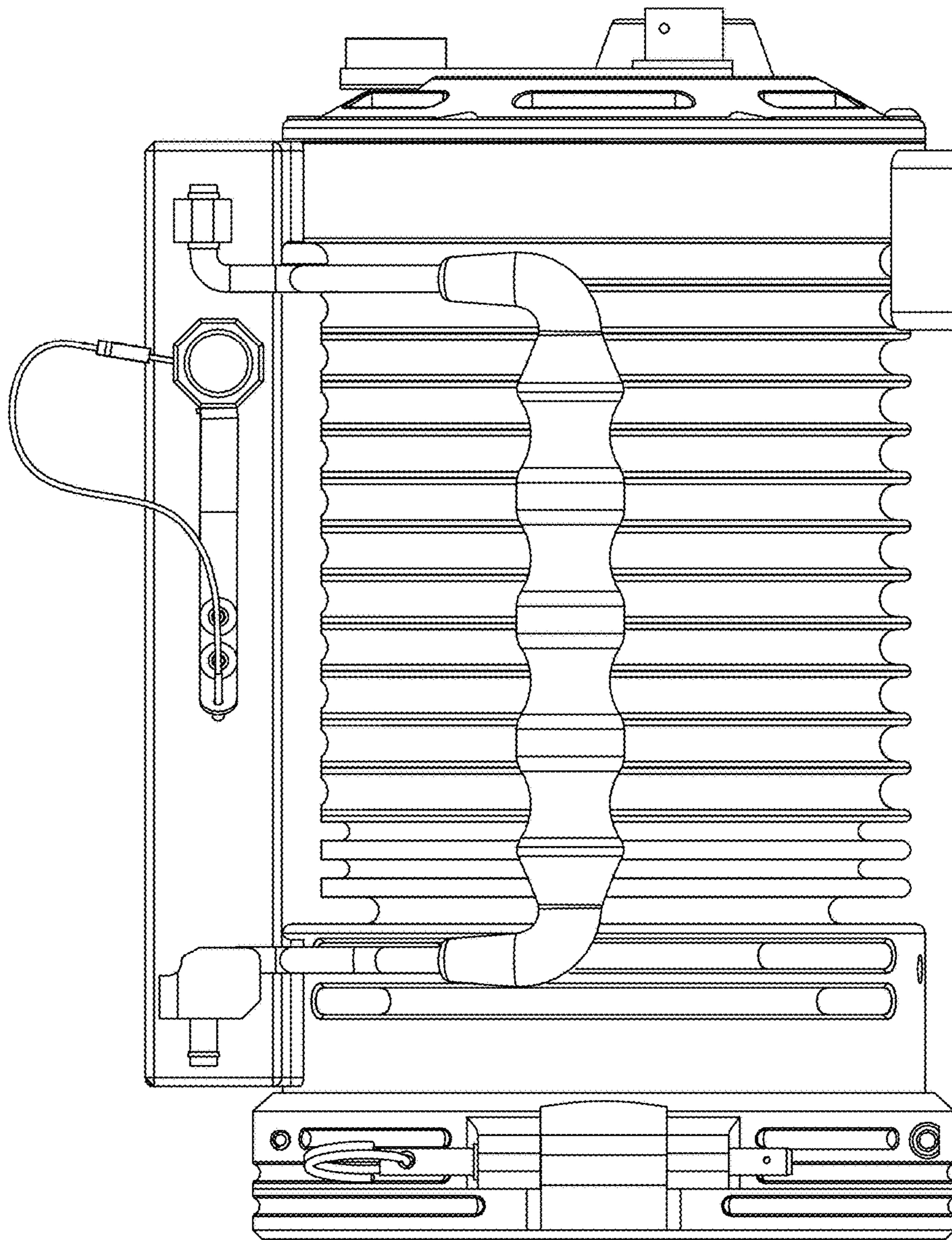


FIG. 4

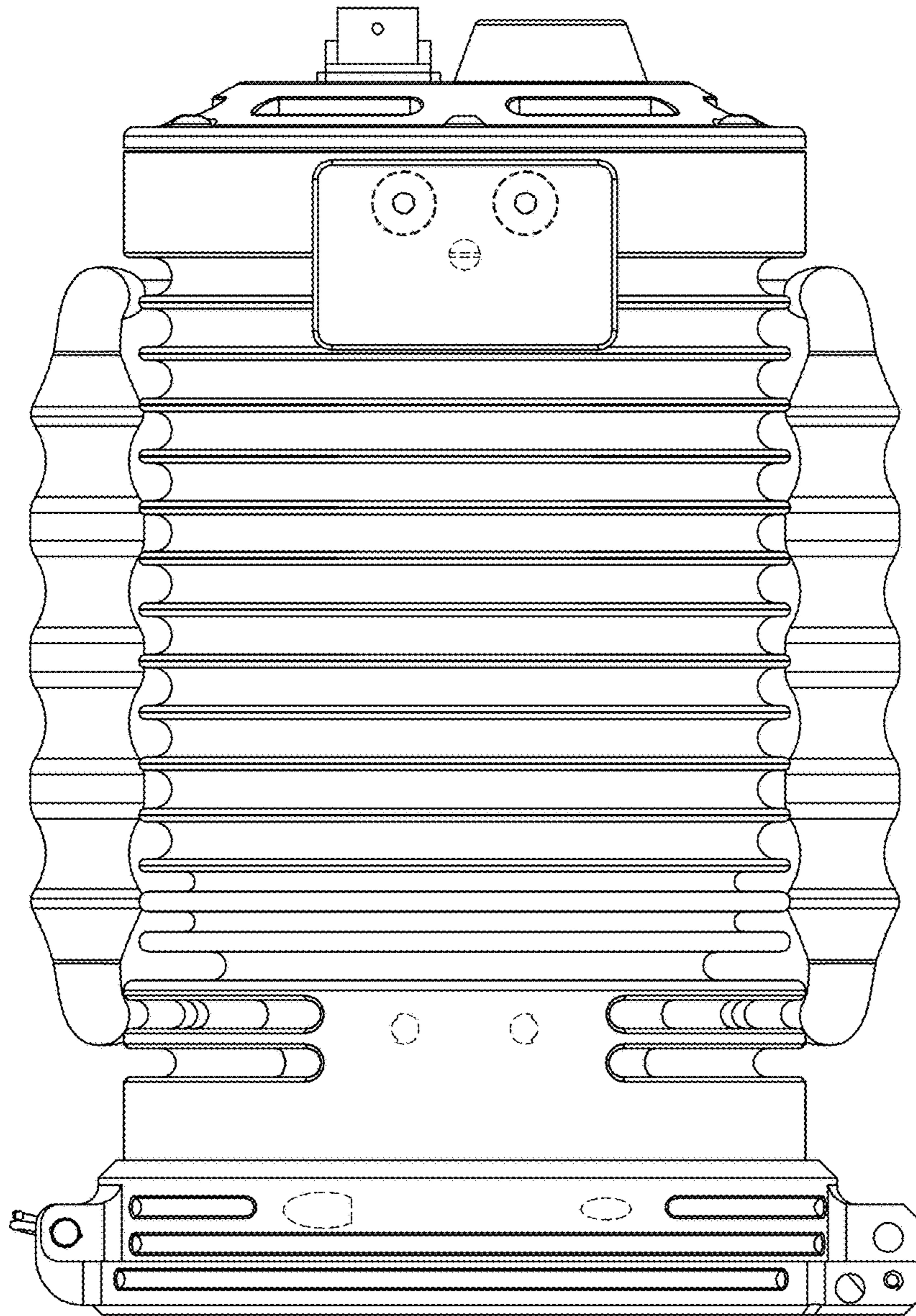


FIG. 5

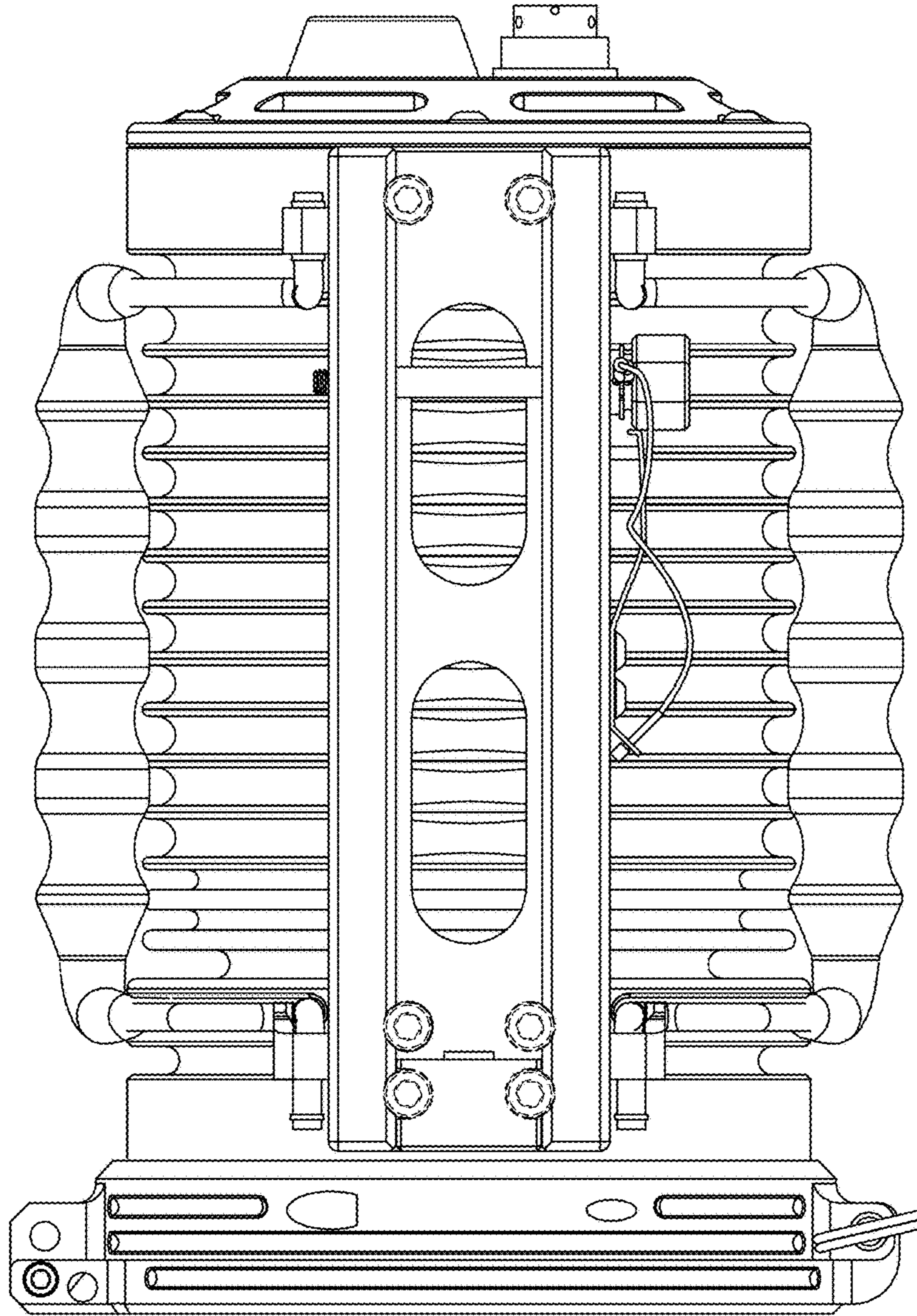


FIG. 6

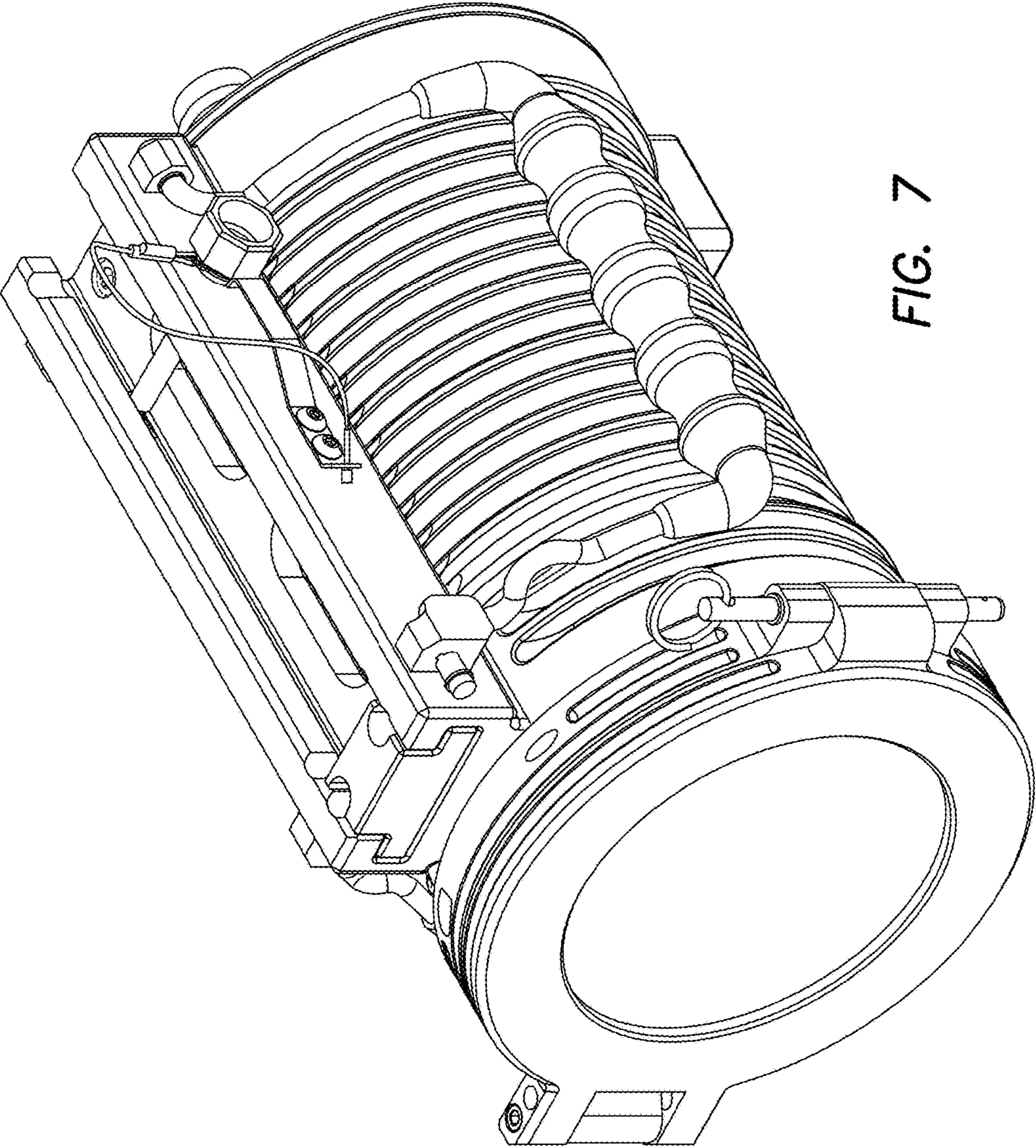


FIG. 7