



US00D817528S

(12) **United States Design Patent** (10) **Patent No.:** **US D817,528 S**
Wu (45) **Date of Patent:** **** May 8, 2018**

(54) **FLASHLIGHT WITH MAGNET**
(71) Applicant: **Liuning Wu**, Ningbo (CN)
(72) Inventor: **Liuning Wu**, Ningbo (CN)
(73) Assignee: **Ningbo Worth International Trade Co., Ltd.**, Ningbo (CN)
(**) Term: **15 Years**
(21) Appl. No.: **29/561,266**
(22) Filed: **Apr. 14, 2016**
(51) **LOC (11) Cl.** **26-02**
(52) **U.S. Cl.**
USPC **D26/38; D26/49**
(58) **Field of Classification Search**
USPC D26/37, 38, 40, 42, 46, 49, 51, 43, 61, D26/62
CPC F21L 2003/00; F21L 4/00; F21L 4/005; F21L 4/02; F21L 4/025; F21L 4/027; F21L 4/04; F21L 4/08; F21L 2005/00; F21L 7/00; F21L 11/00; F21L 13/00; F21L 13/04; F21L 13/08; F21L 14/02; F21L 17/00; F21L 19/00
See application file for complete search history.

(56) **References Cited**
U.S. PATENT DOCUMENTS
D308,109 S * 5/1990 Maglica D26/49
D417,022 S * 11/1999 Chiu D26/49
D419,254 S * 1/2000 Chiu D26/49
D419,704 S * 1/2000 Ting D26/37
D450,873 S * 11/2001 Opolka D19/173
D452,024 S * 12/2001 Sharrah D26/49
D493,557 S * 7/2004 Kessler D26/62
D518,906 S * 4/2006 Stoddard D26/37

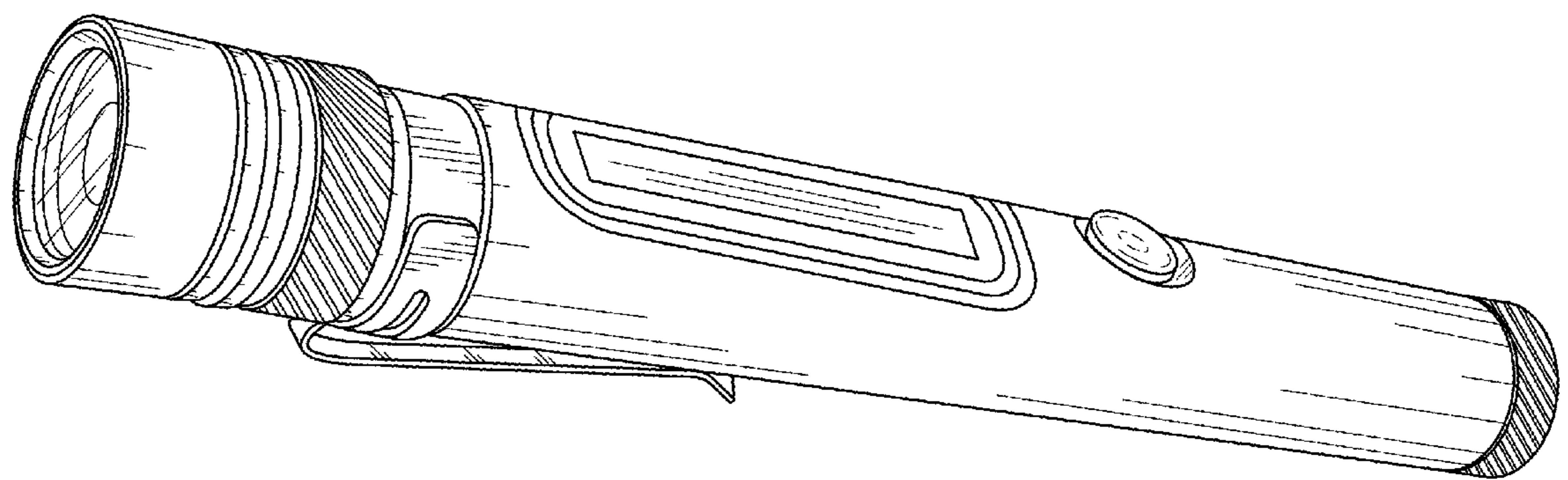
D521,164 S * 5/2006 Sharrah D26/37
D548,863 S * 8/2007 Shiu D26/37
D572,656 S * 7/2008 Schein D13/108
D612,086 S * 3/2010 Brauer D26/42
D622,428 S * 8/2010 Crawford D26/37
D658,322 S * 4/2012 Wu D26/37
D676,170 S * 2/2013 Feng D26/38
D709,751 S * 7/2014 Wu D8/85
D710,445 S * 8/2014 Wu D19/130
D721,841 S * 1/2015 Kwon D26/37
D729,963 S * 5/2015 Windom D26/38
D731,687 S * 6/2015 Haws D26/46
D749,255 S * 2/2016 Robinson D26/37

* cited by examiner
Primary Examiner — Lakiya Rogers
Assistant Examiner — Carissa C Fitts
(74) *Attorney, Agent, or Firm* — Thomas I. Rozsa

(57) **CLAIM**
The ornamental design for a flashlight with magnet, as shown and described.

DESCRIPTION
FIG. 1 is a top front and left side perspective view of the flashlight with magnet, showing my new design;
FIG. 2 is a bottom rear and right side perspective view thereof;
FIG. 3 is a front view thereof;
FIG. 4 is a rear view thereof;
FIG. 5 is a left side view thereof;
FIG. 6 is right side view thereof;
FIG. 7 is a top plan view thereof; and,
FIG. 8 is a bottom plan view thereof.
The broken lines show unclaimed portions of the article and form no part of the claimed design.

1 Claim, 5 Drawing Sheets



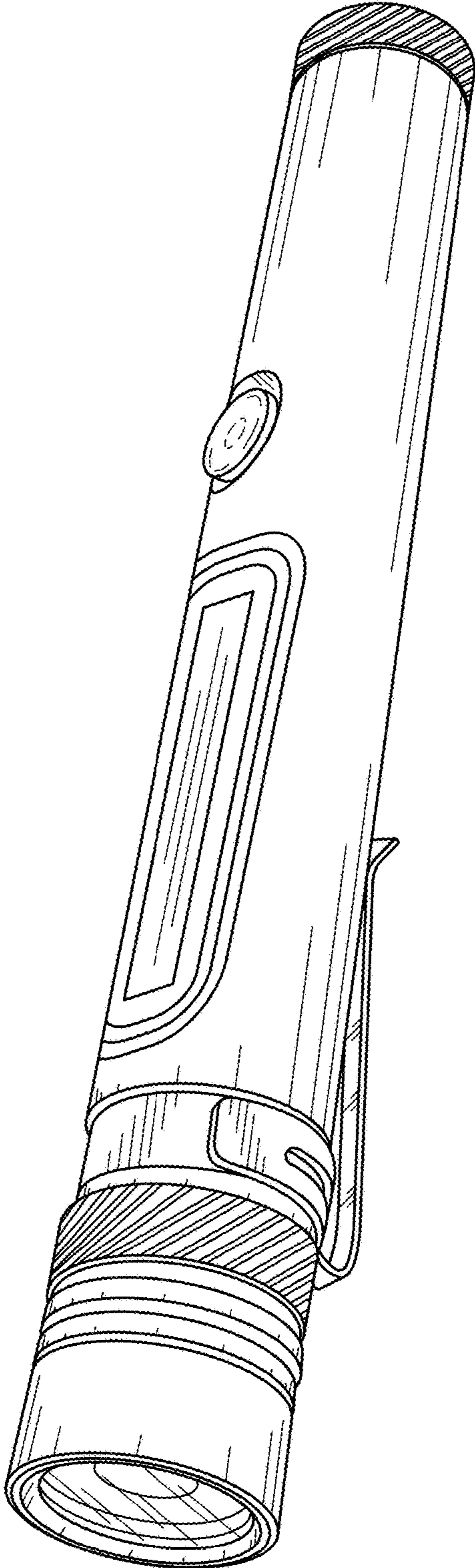


FIG. 1

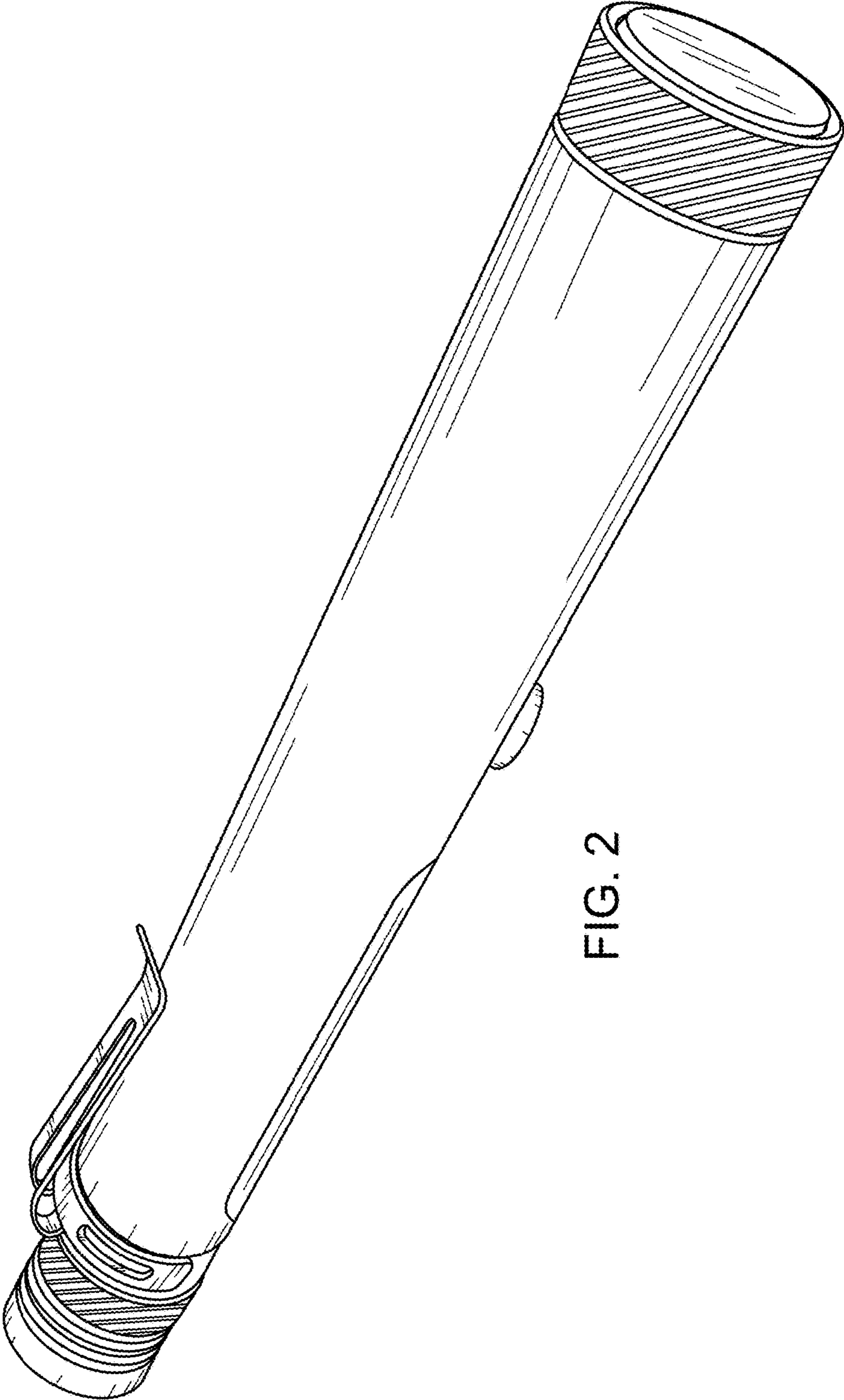


FIG. 2

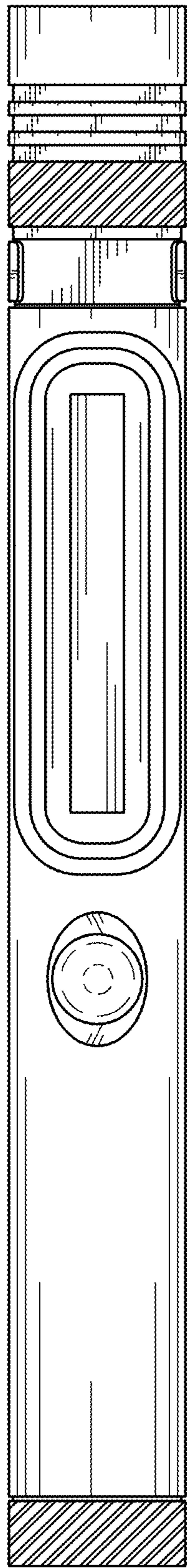


FIG. 3

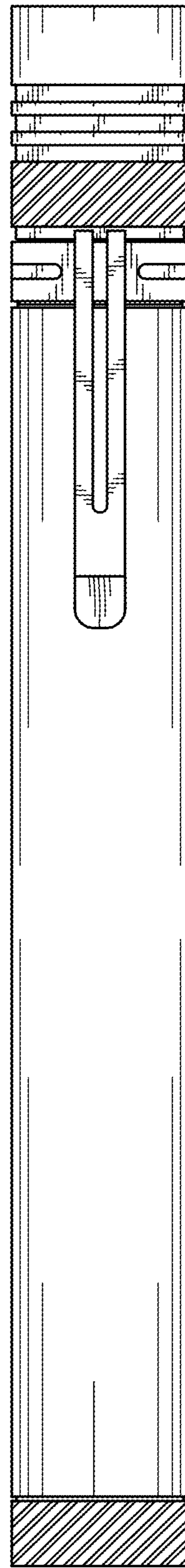


FIG. 4

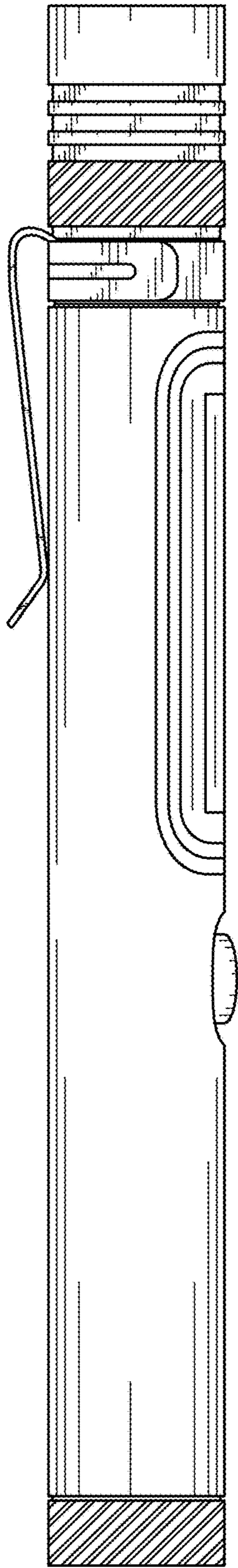


FIG. 5

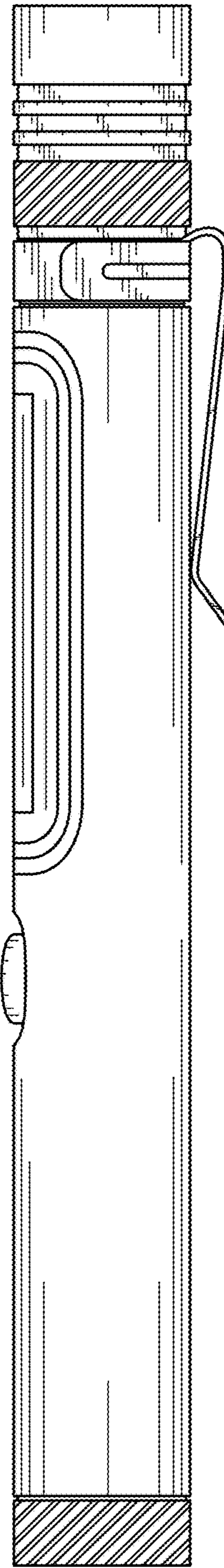


FIG. 6

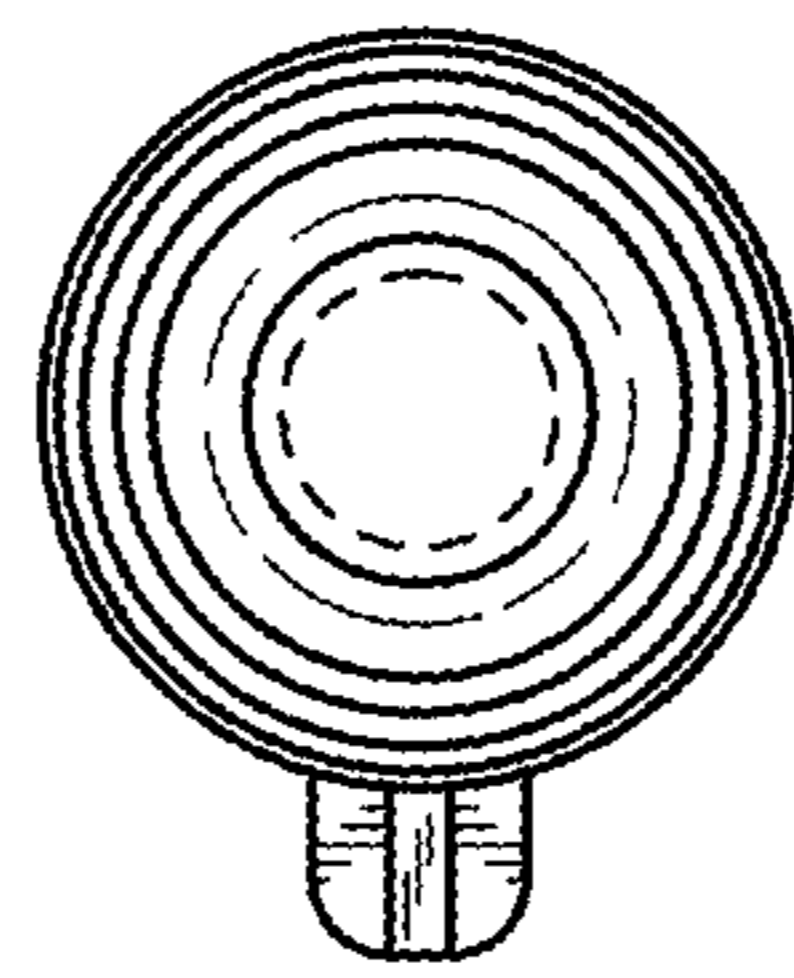


FIG. 7

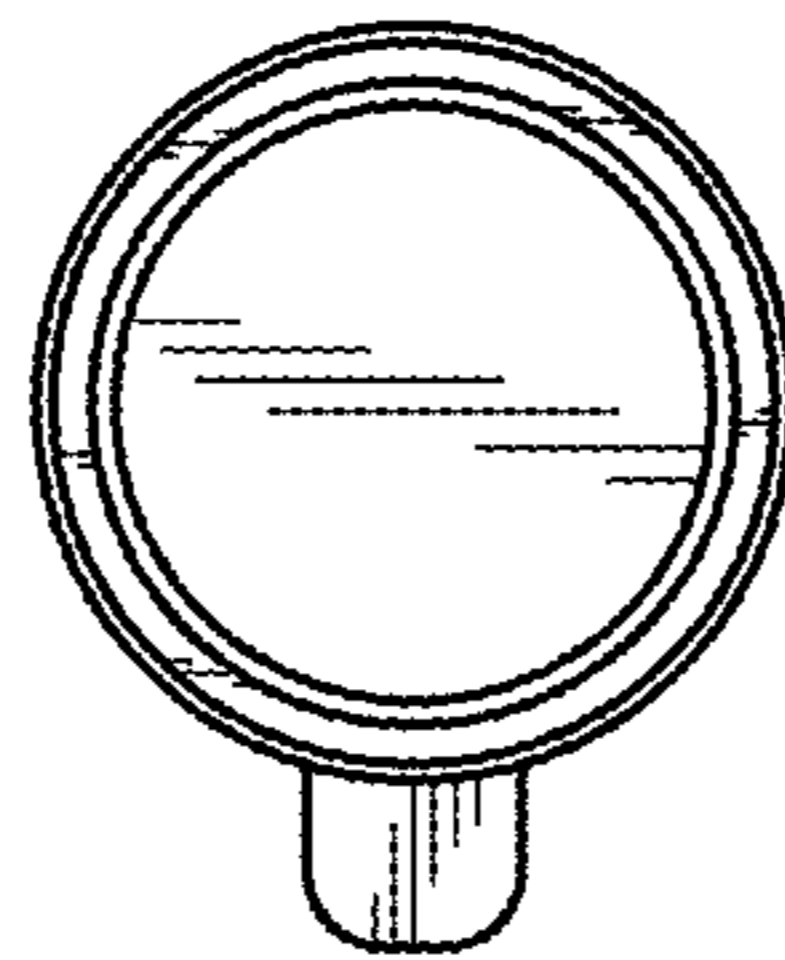


FIG. 8