



US00D817525S

(12) **United States Design Patent** (10) **Patent No.:** **US D817,525 S**
Miller et al. (45) **Date of Patent:** **** May 8, 2018**

(54) **WAX CANDLE VESSEL**
(71) Applicant: **Anchor Hocking, LLC**, Lancaster, OH (US)
(72) Inventors: **Garet Riley Miller**, Columbus, OH (US); **Dennis C. Majzlik**, Monaca, PA (US)
(73) Assignee: **Anchor Hocking, LLC**, Lancaster, OH (US)

D596,504 S * 7/2009 Diss D9/500
D596,957 S * 7/2009 Diss D9/500
7,614,876 B1 * 11/2009 Ward-Kubik F23D 3/16
248/511

(Continued)

Primary Examiner — T. Chase Nelson
Assistant Examiner — Ania Aman
(74) *Attorney, Agent, or Firm* — Frost Brown Todd LLC

(**) Term: **14 Years**

(57) **CLAIM**
The ornamental design for a wax candle vessel, as shown and described.

(21) Appl. No.: **29/518,777**
(22) Filed: **Feb. 27, 2015**
(51) **LOC (11) Cl.** **26-01**
(52) **U.S. Cl.**
USPC **D26/22**
(58) **Field of Classification Search**
USPC D26/5-23; D9/516, 550, 563, 500, 502, D9/53, 549, 558, 715, 719
CPC . C11C 5/008; C11C 5/00; C11C 5/004; C11C 5/023; F23D 3/16; F21V 35/00; F21V 35/003; F21V 35/006; F21V 37/00; F21V 37/0008; F21V 37/0058; F21V 37/0095; A61L 9/037; A61L 9/127; F21S 13/00; F21S 13/12; A01M 1/2088
See application file for complete search history.

DESCRIPTION

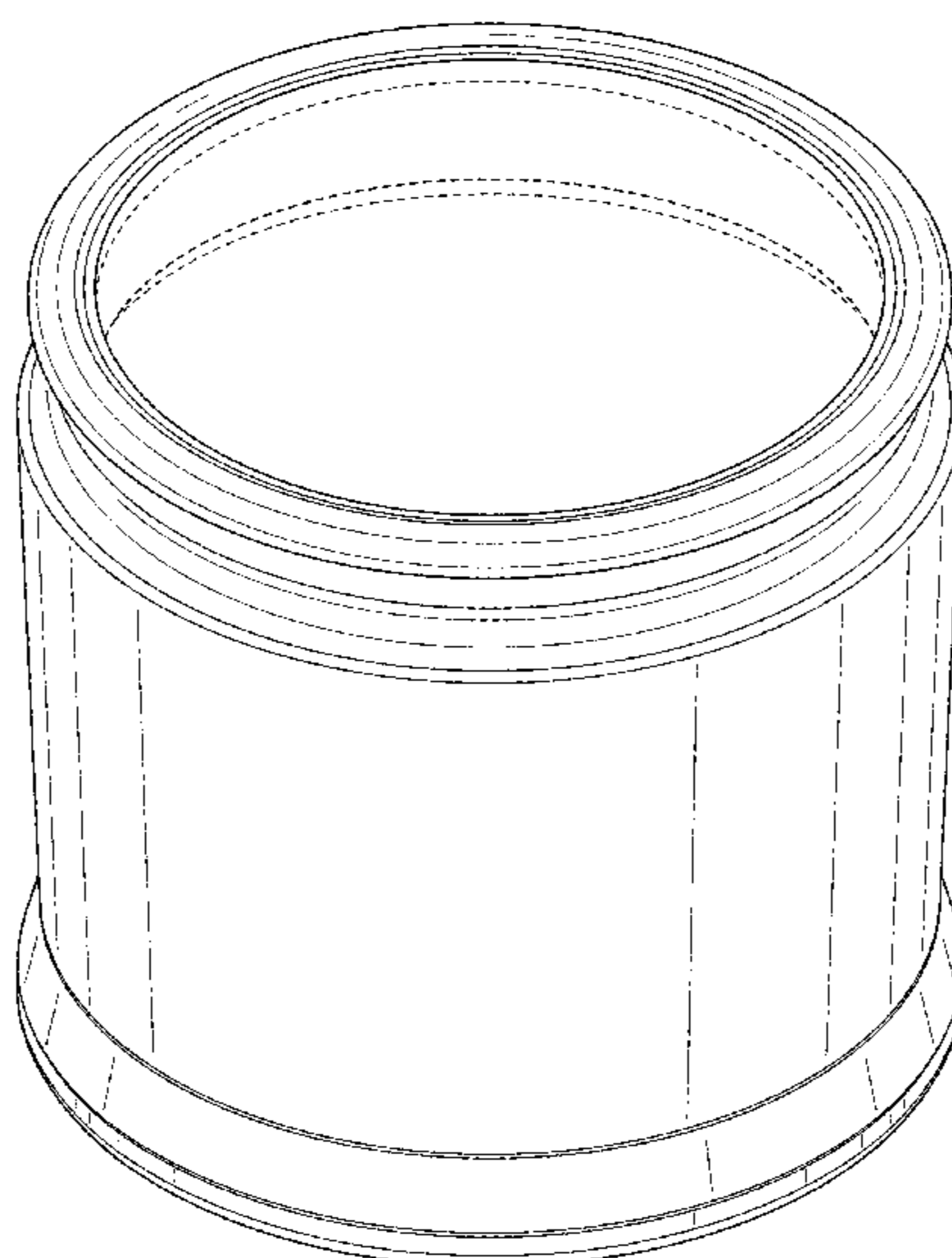
FIG. 1 is a perspective view of a wax candle vessel illustrating an embodiment of our new design;
FIG. 2 is a side elevation view thereof, all sides being identical;
FIG. 3 is a top plan view thereof;
FIG. 4 is a bottom plan view thereof;
FIG. 5 is a sectional view of the vessel taken along line 5-5 of FIG. 2;
FIG. 6 is a perspective view of a wax candle vessel illustrating another embodiment of our new design;
FIG. 7 is a side elevation view thereof, all sides being identical;
FIG. 8 is a top plan view thereof;
FIG. 9 is a bottom plan view thereof;
FIG. 10 is a sectional view of the vessel taken along line 10-10 of FIG. 7;
FIG. 11 is a perspective view of a wax candle vessel illustrating still another embodiment of our new design;
FIG. 12 is a side elevation view thereof, all sides being identical;
FIG. 13 is a top plan view thereof;
FIG. 14 is a bottom plan view thereof; and,
FIG. 15 is a sectional view of the vessel taken along line 15-15 of FIG. 12.
In the drawings, the broken lines depict environmental subject matter only that forms no part of the claimed design.

(56) **References Cited**

U.S. PATENT DOCUMENTS

D249,998 S * 10/1978 Gobleck, Jr. D7/613
D272,508 S * 2/1984 Conti D7/615
D446,587 S * 8/2001 Klett D26/7
D450,395 S * 11/2001 Bellenger D26/11
6,627,857 B1 * 9/2003 Tanner A61L 9/03
219/445.1
D575,155 S * 8/2008 Kinds D9/500

1 Claim, 15 Drawing Sheets



(56)

References Cited

U.S. PATENT DOCUMENTS

D633,794	S *	3/2011	Cresswell	D9/500
D659,267	S *	5/2012	Slatkin	D26/22
D662,237	S *	6/2012	Baraky	D26/22
D682,448	S *	5/2013	Nugent	D26/22
D790,749	S *	6/2017	Li	D26/96
2002/0150854	A1 *	10/2002	Riches	A61L 9/03 431/291
2003/0106674	A1 *	6/2003	Huang	C11C 5/008 165/133
2004/0241603	A1 *	12/2004	Papai	F23D 3/16 431/291
2005/0227193	A1 *	10/2005	Lin	C11C 5/008 431/291
2005/0244767	A1 *	11/2005	Brown	A61L 9/03 431/291
2005/0277076	A1 *	12/2005	Papai	F23D 3/16 431/125
2006/0172241	A1 *	8/2006	Hohertz	C11C 5/008 431/289
2009/0170046	A1 *	7/2009	Wooten	F23D 3/16 431/289

* cited by examiner

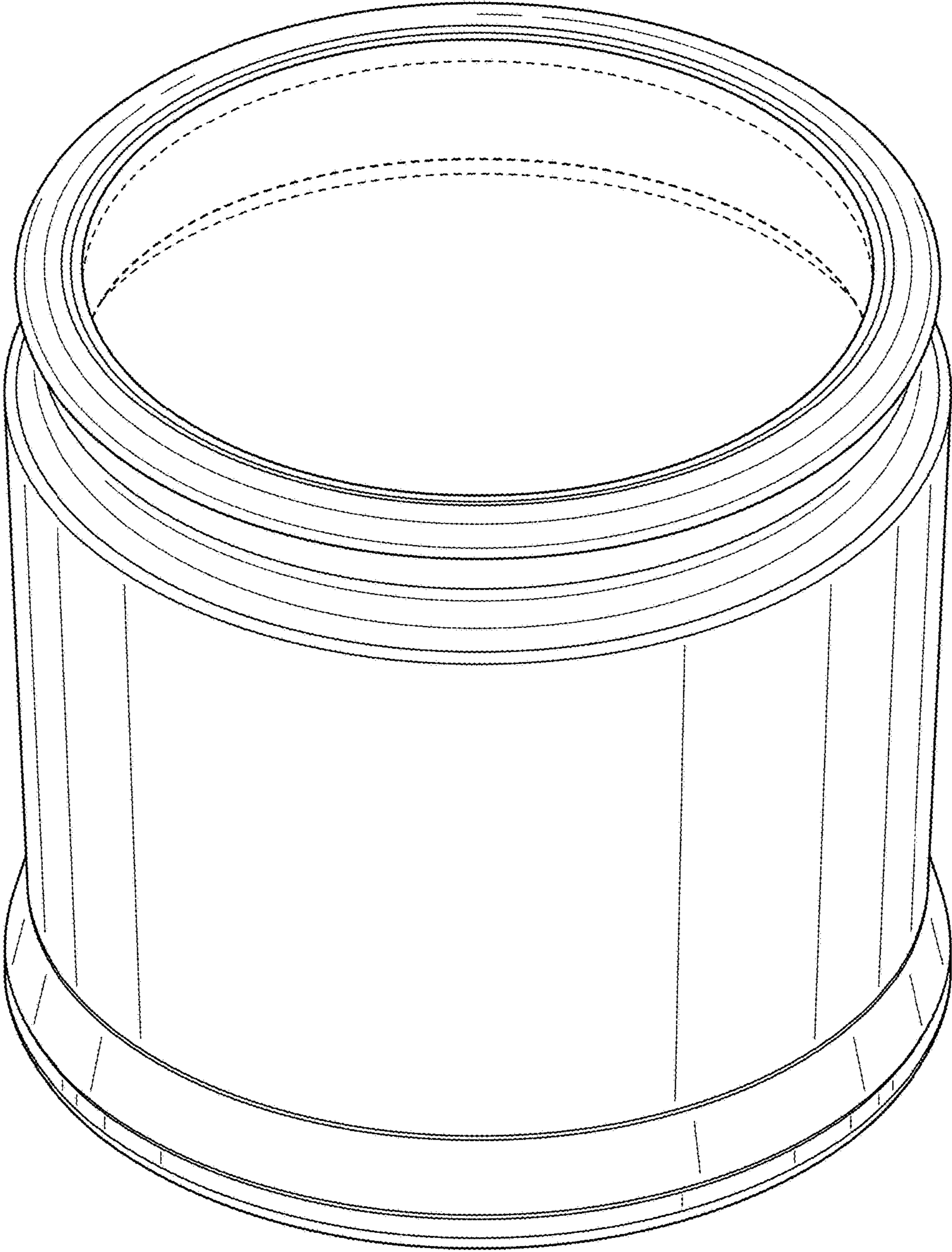


FIG. 1

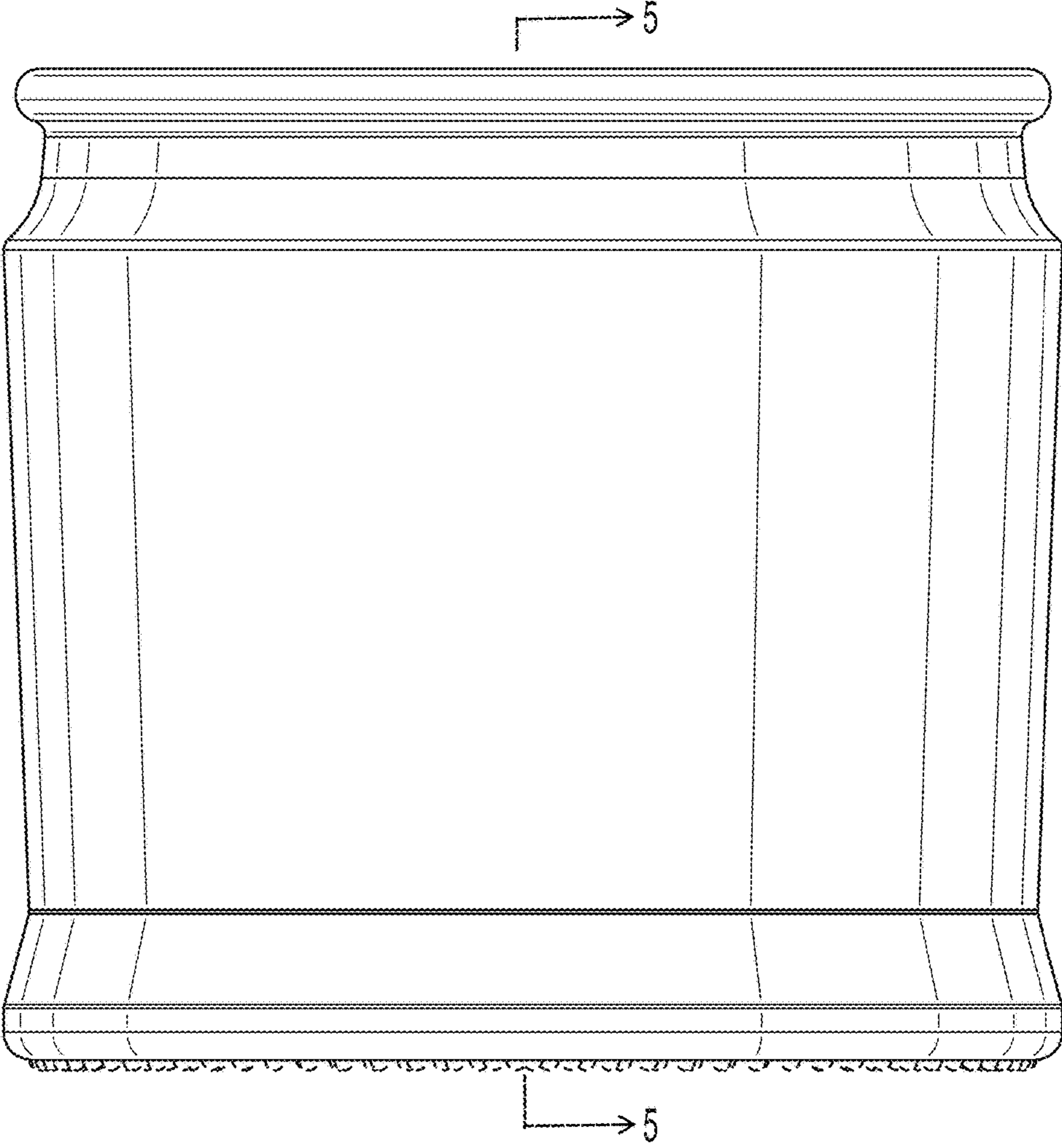


FIG. 2

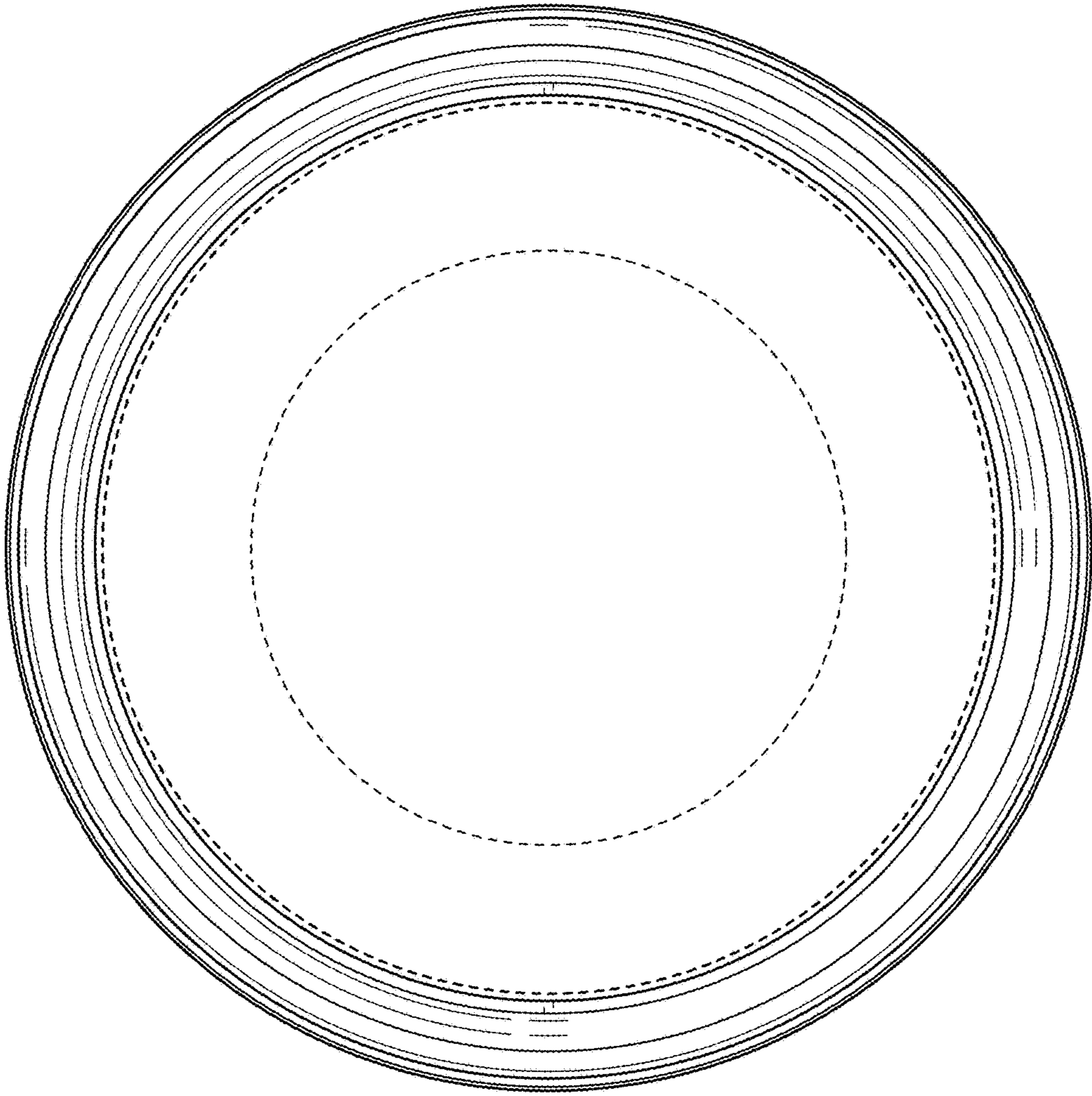


FIG. 3

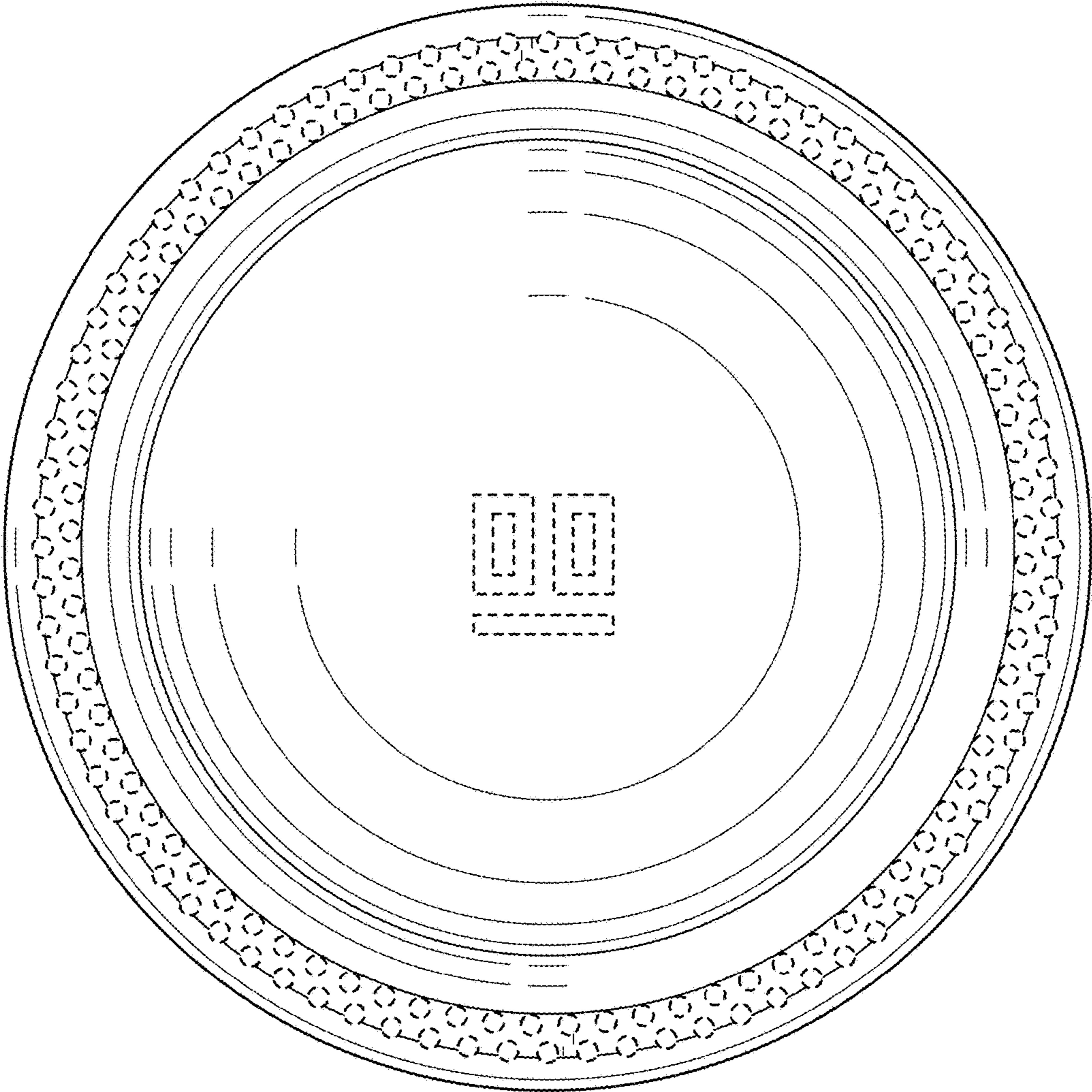


FIG. 4

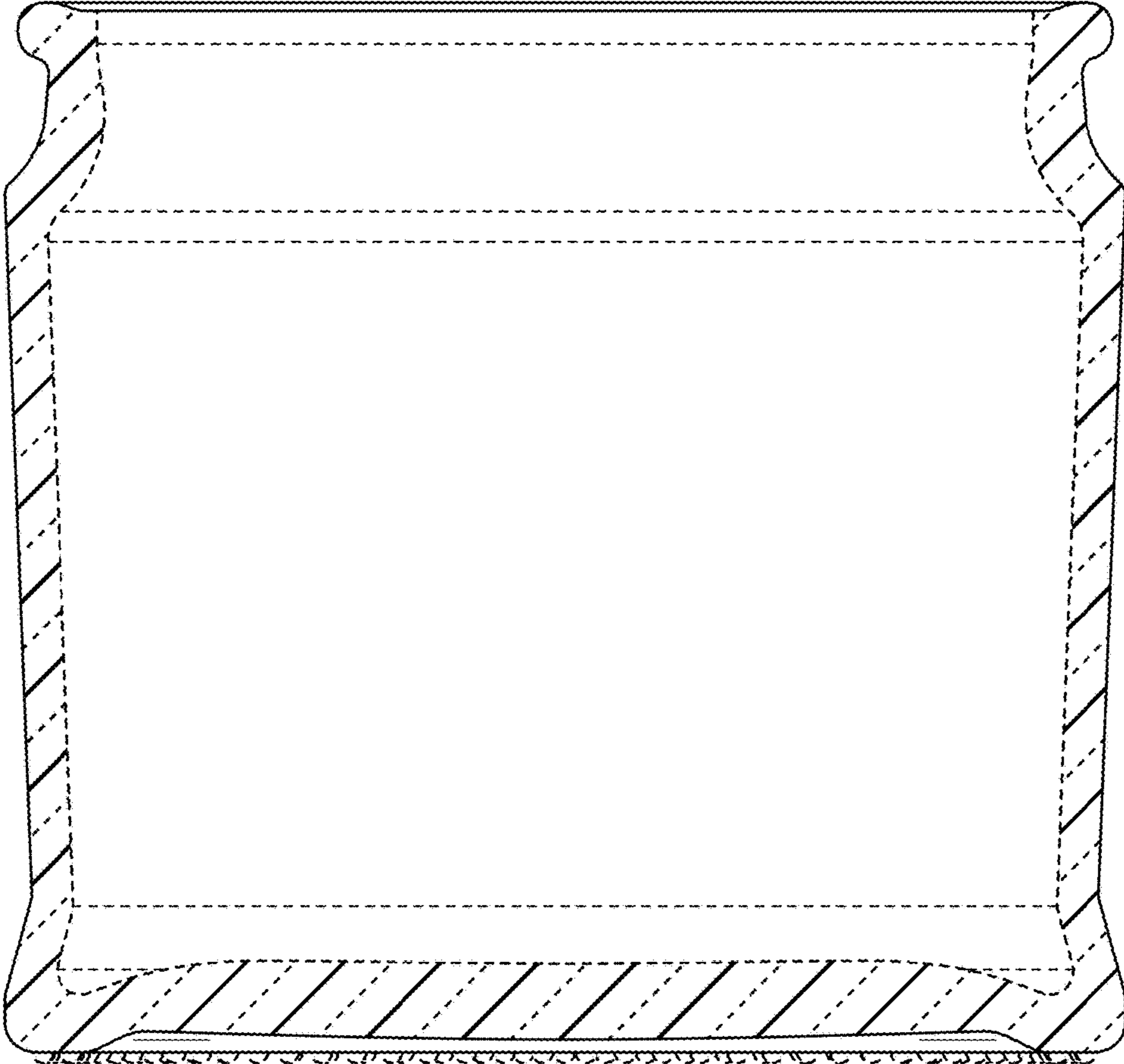


FIG. 5

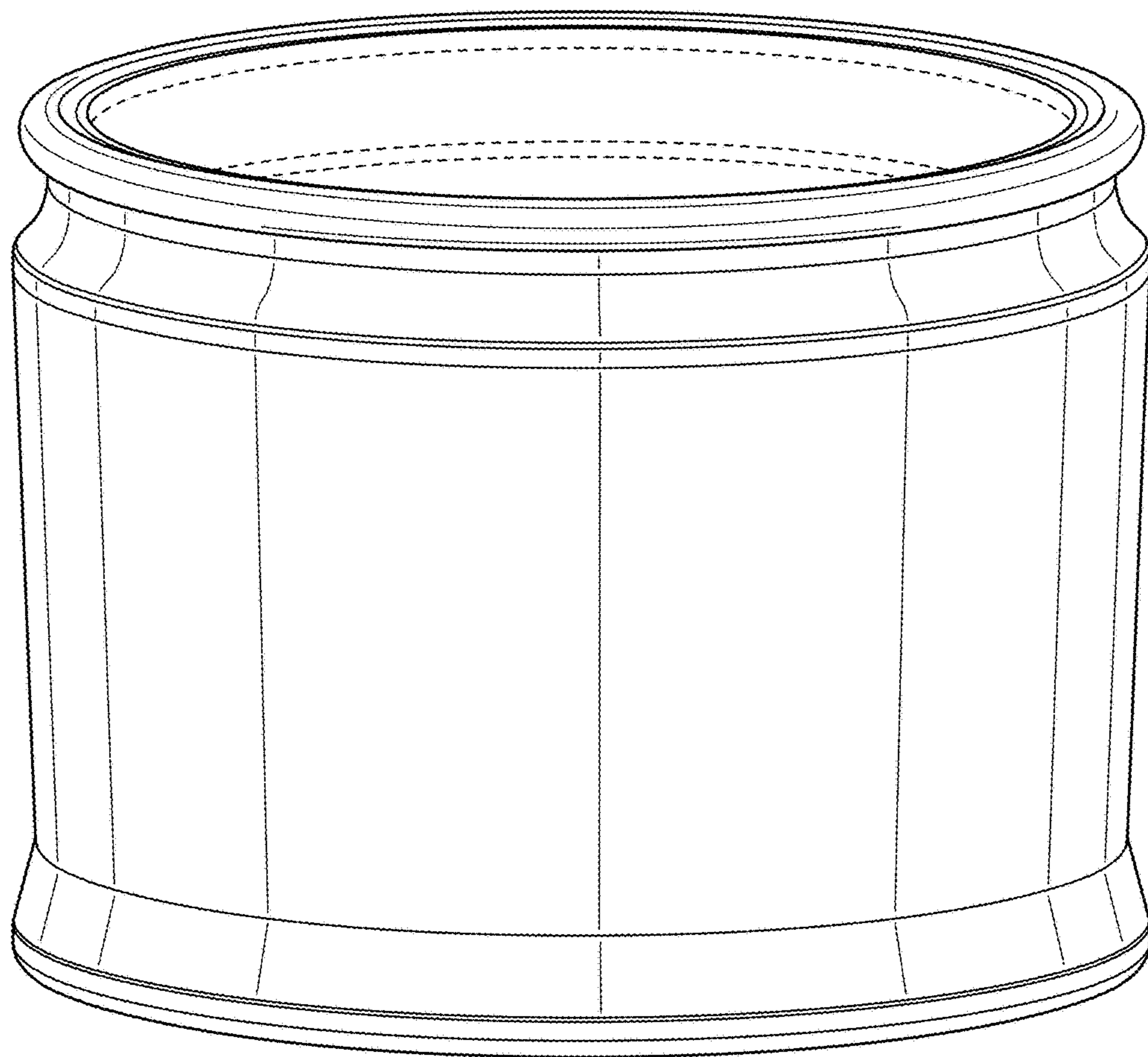


FIG. 6

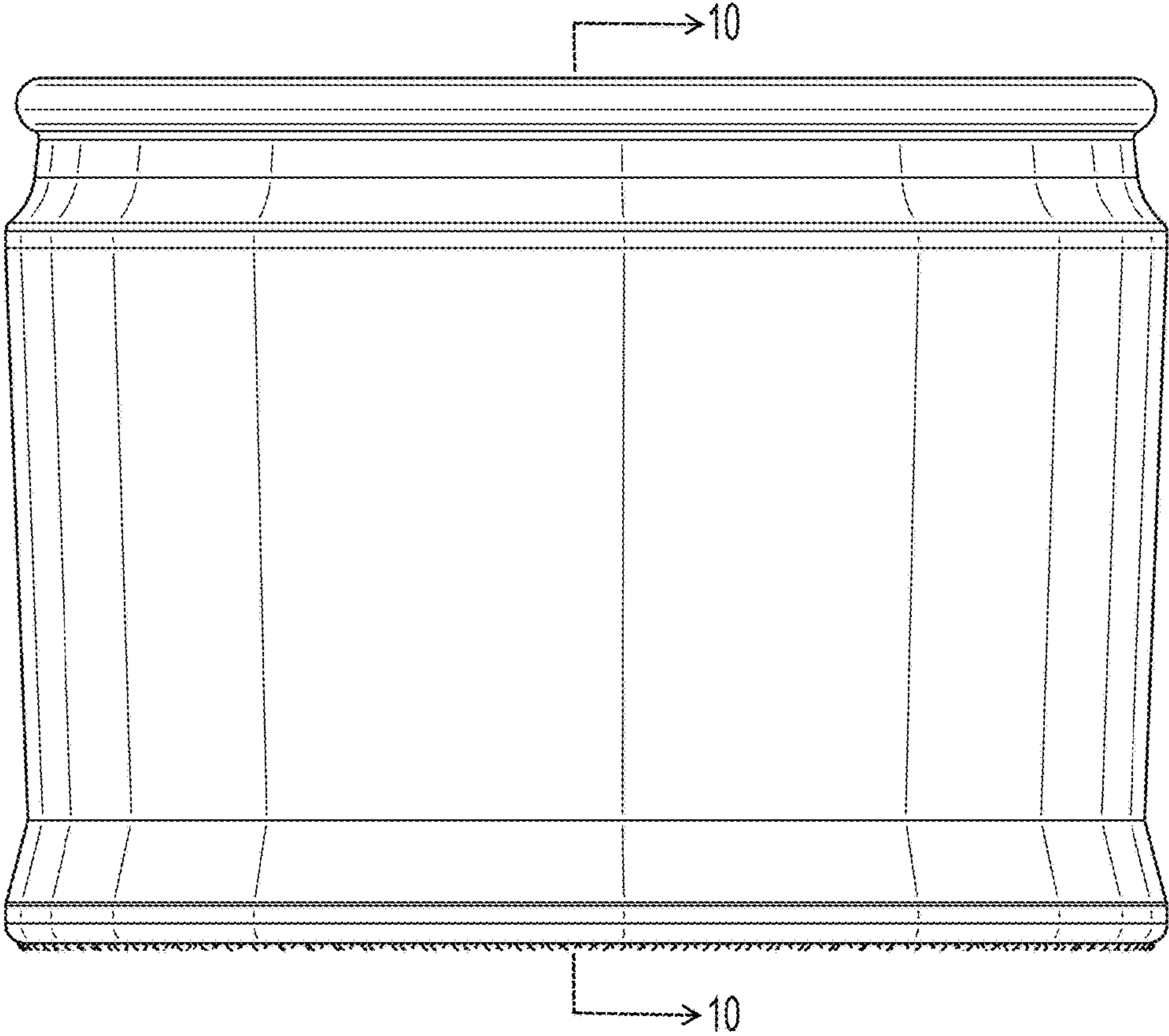


FIG. 7

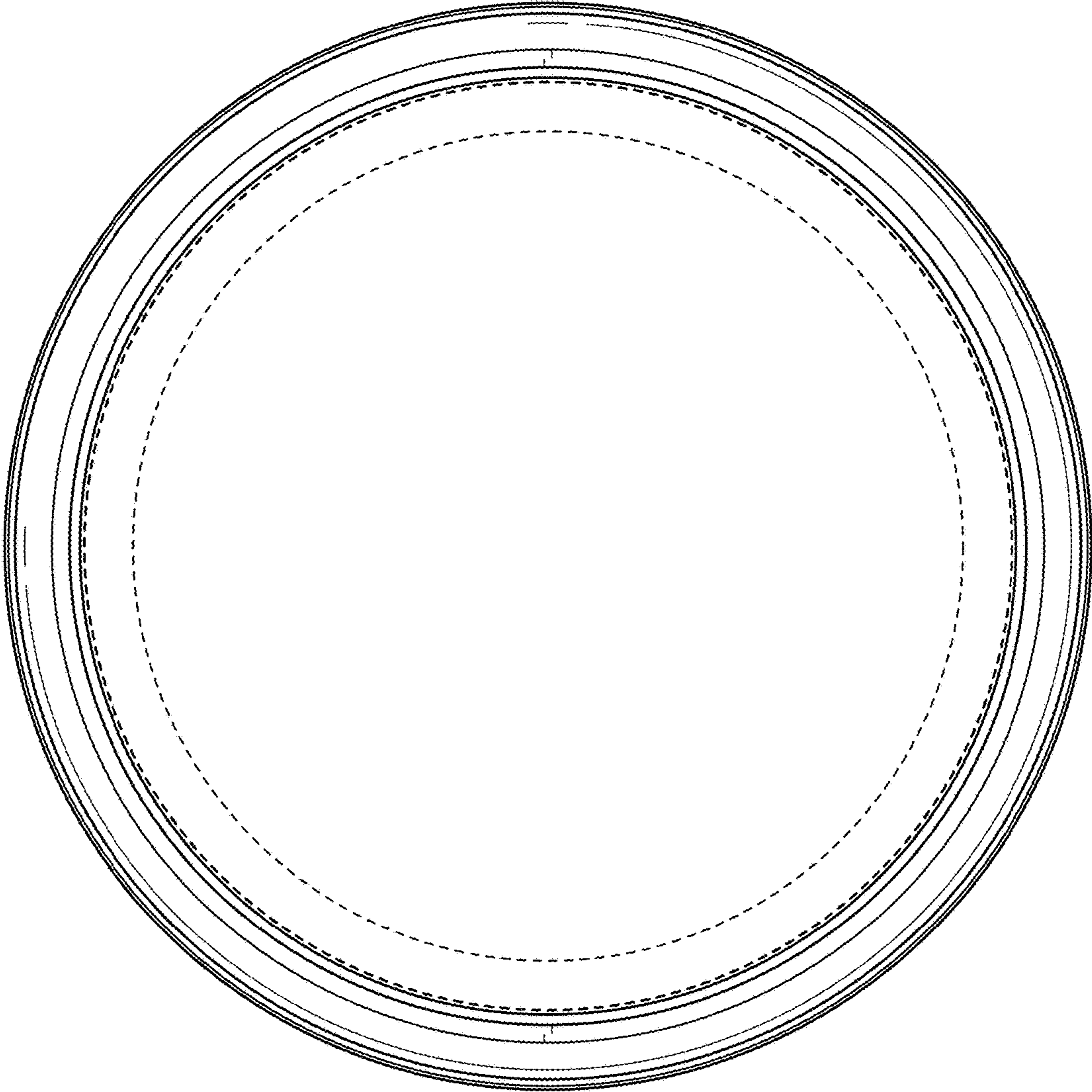


FIG. 8

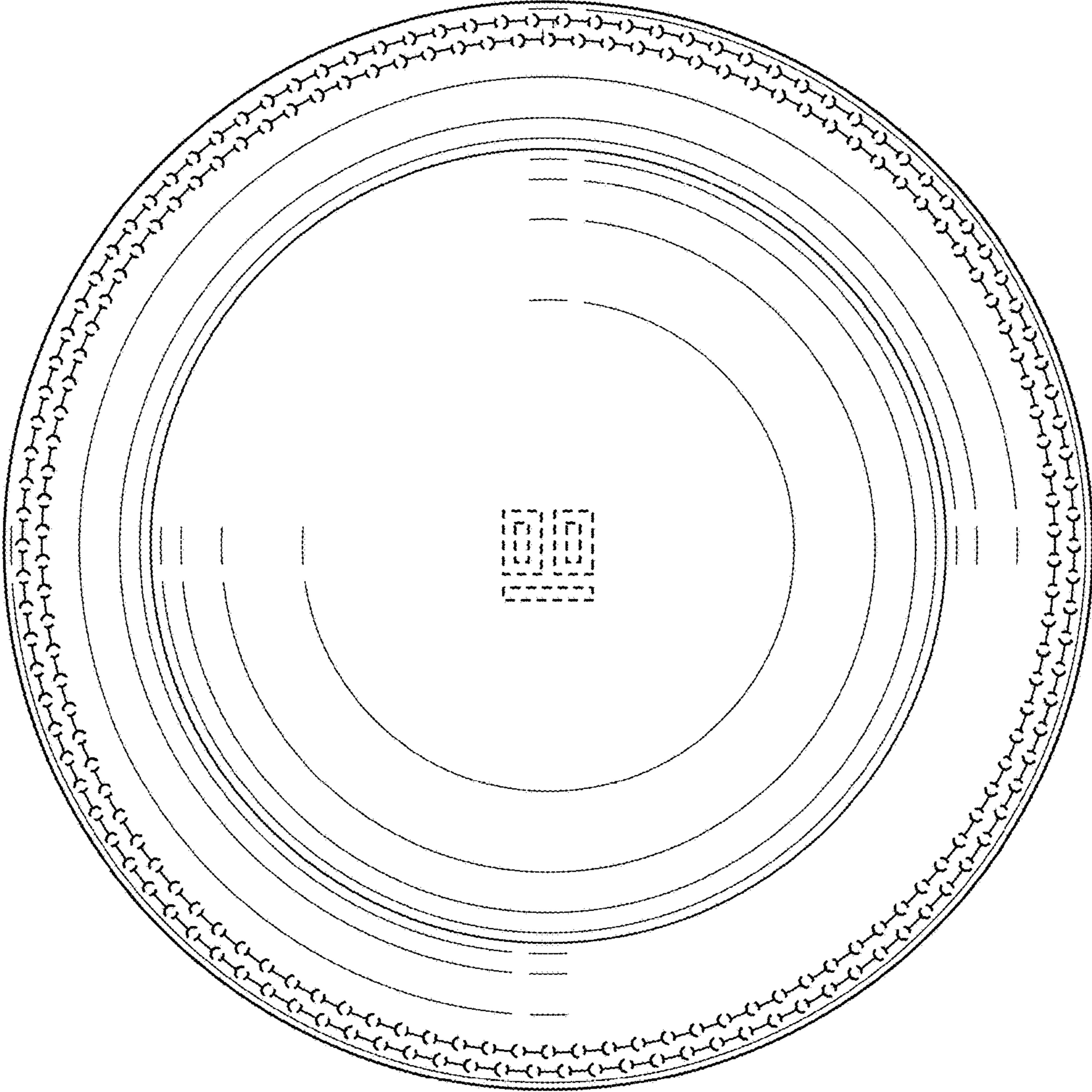


FIG. 9

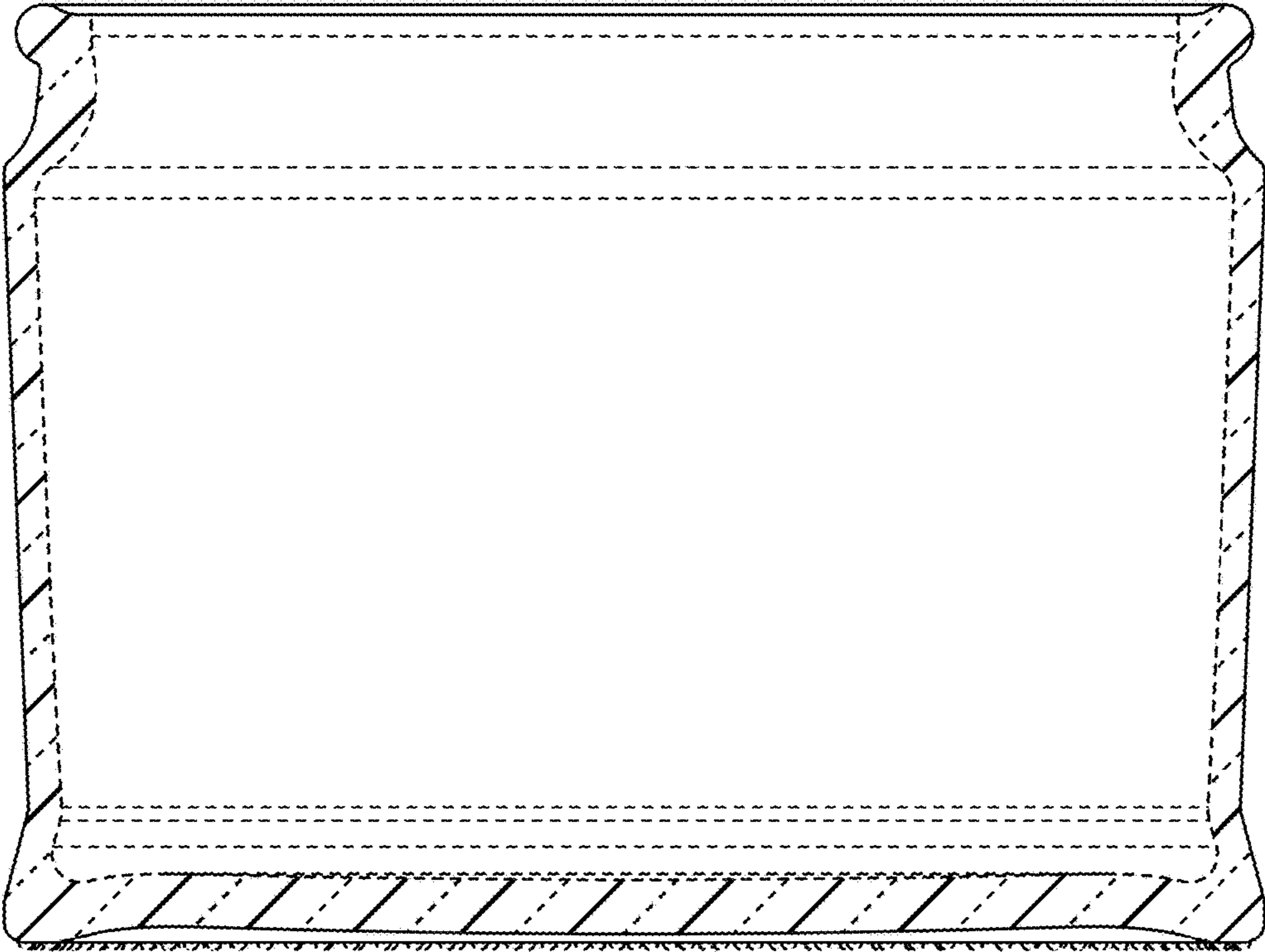


FIG. 10

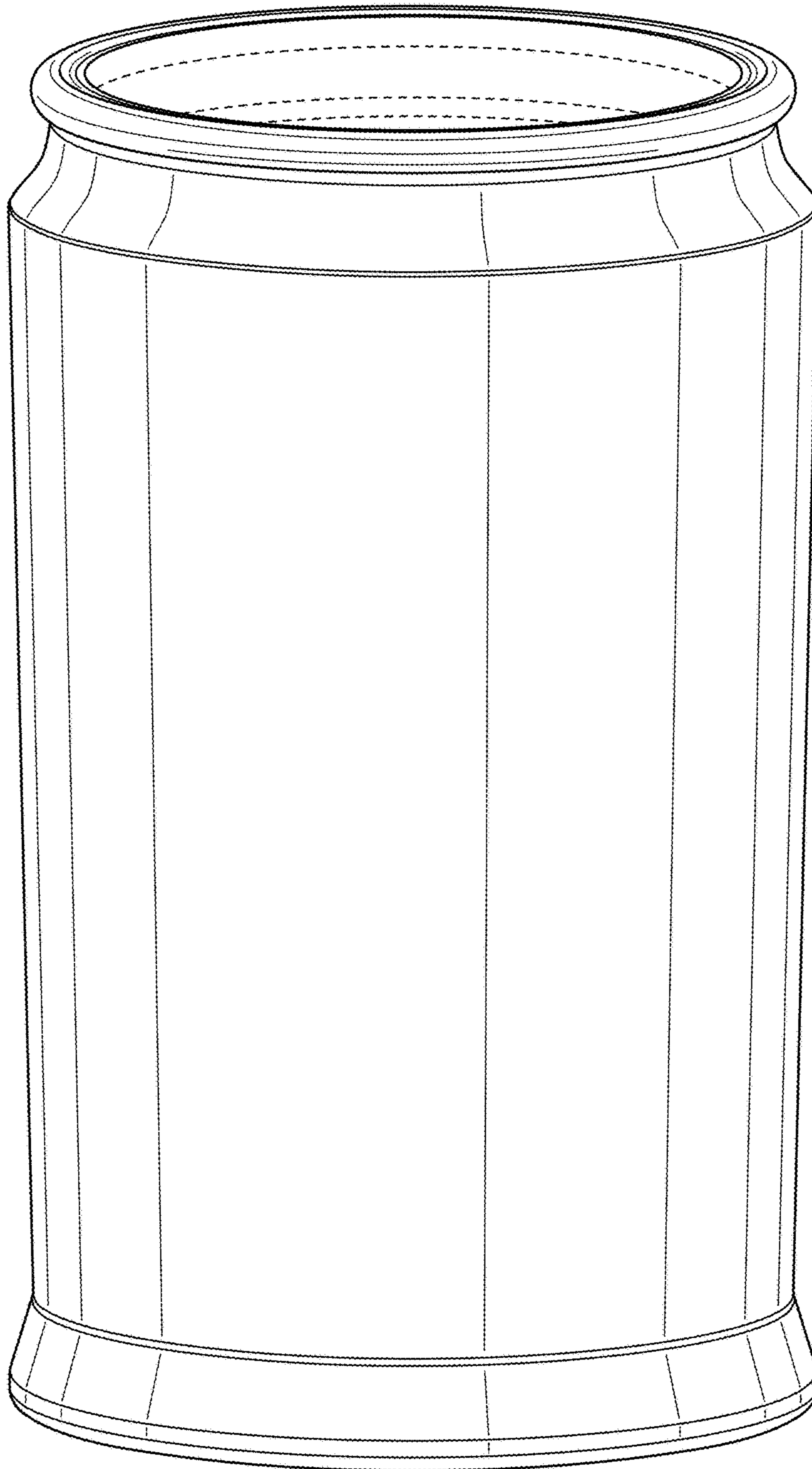


FIG. 11

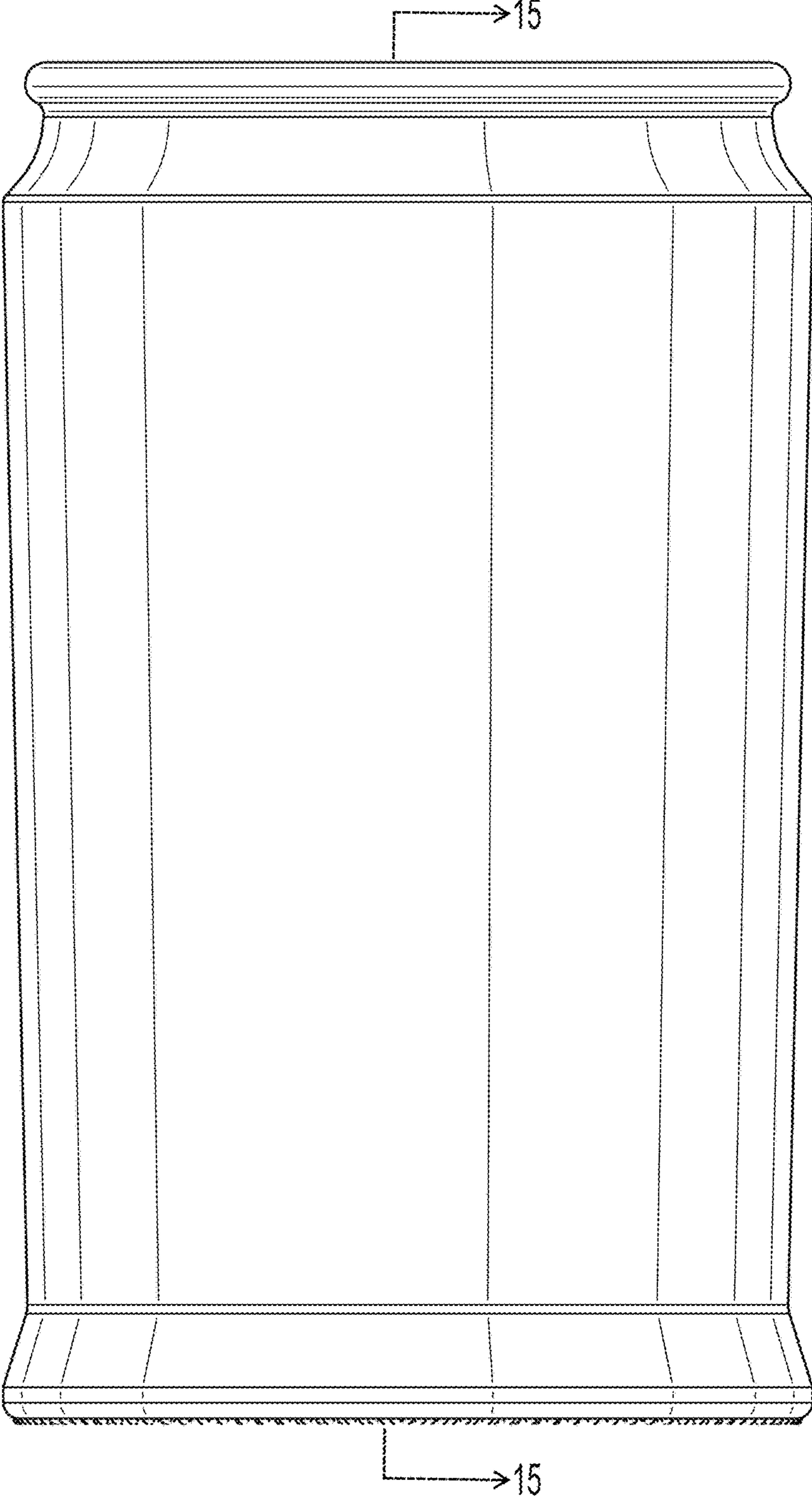


FIG. 12

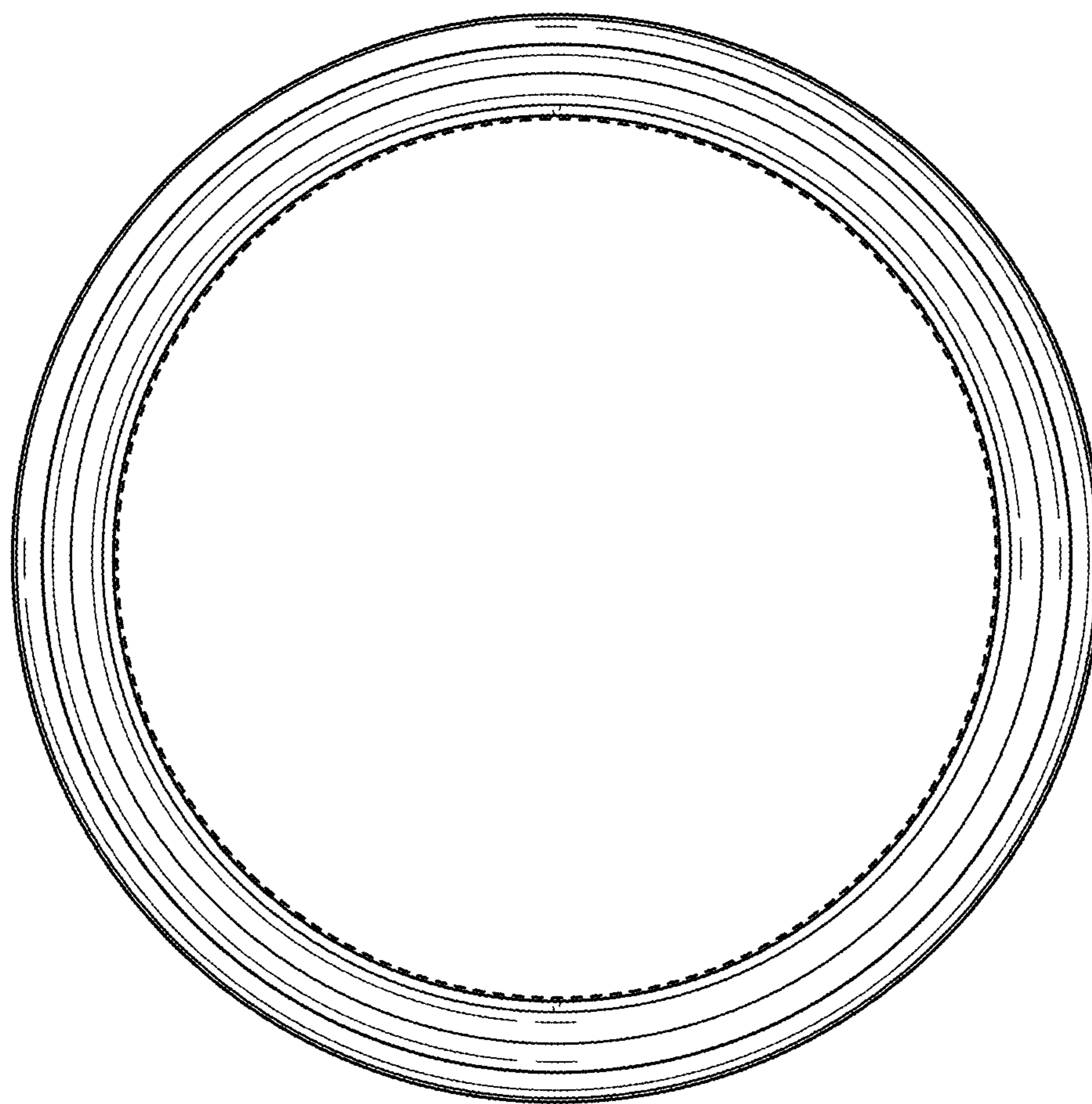


FIG. 13

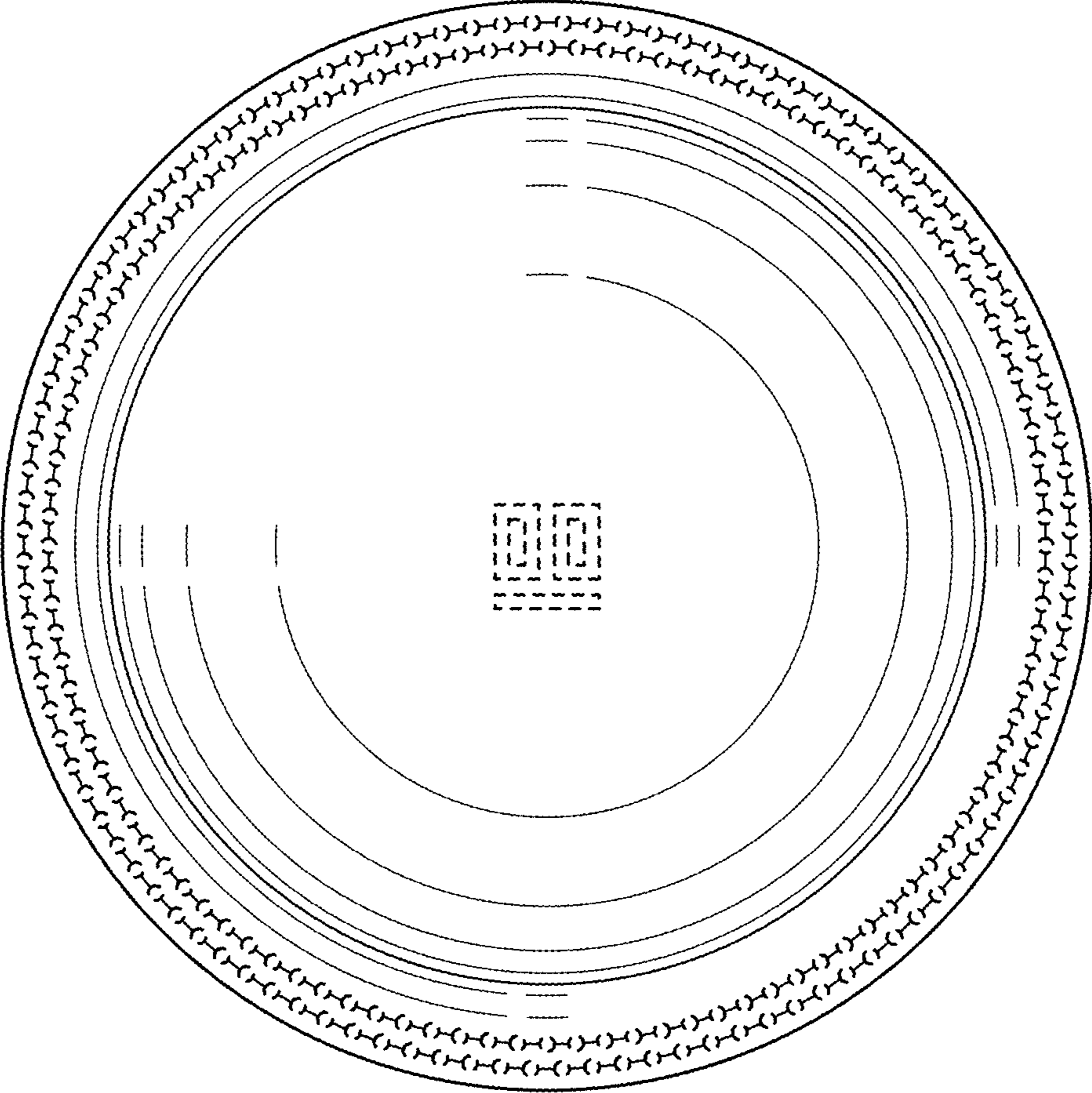


FIG. 14

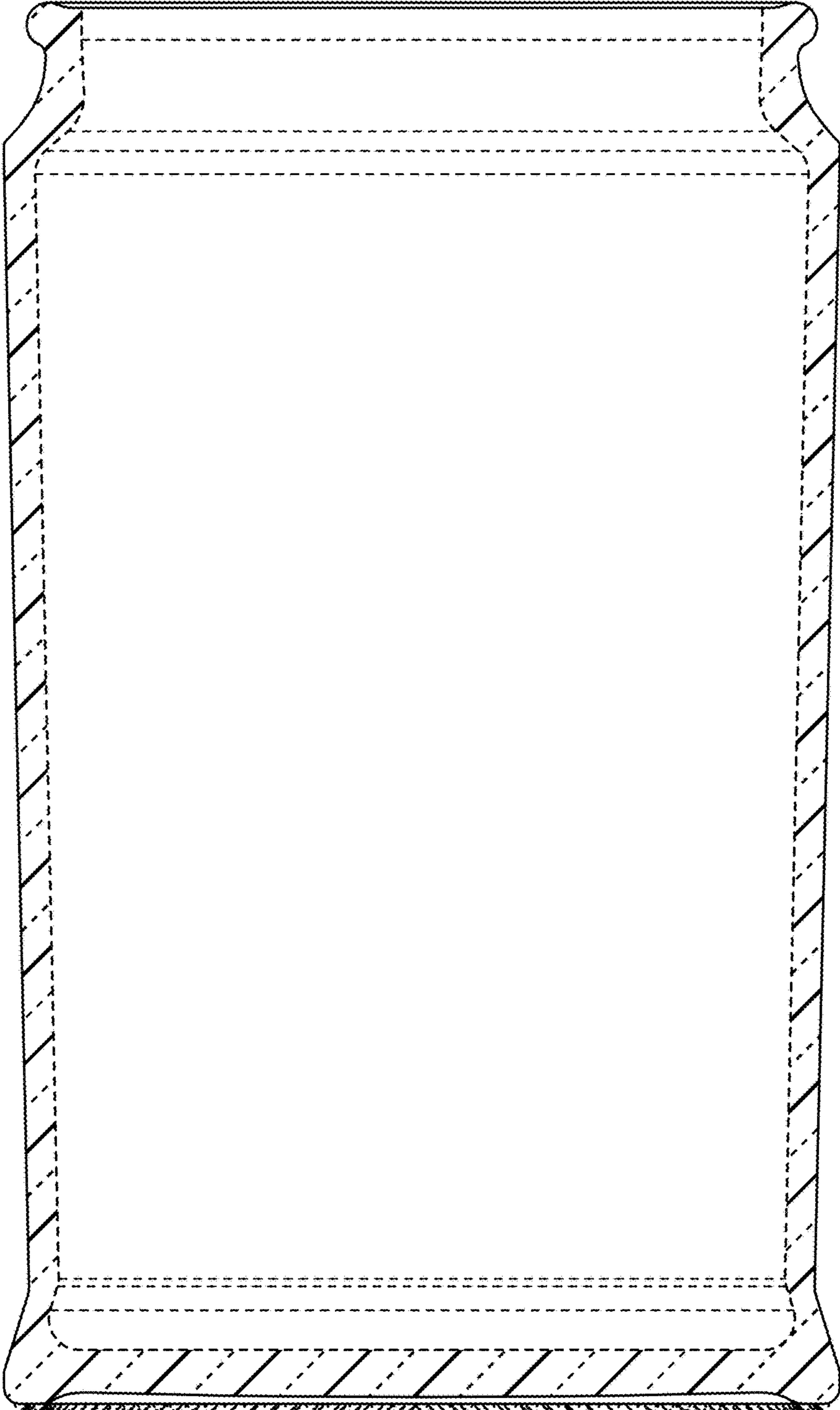


FIG. 15