



US00D817523S

(12) **United States Design Patent** (10) **Patent No.:** **US D817,523 S**
Amrine, Jr. et al. (45) **Date of Patent:** **** May 8, 2018**

- (54) **LED-BASED LIGHT TUBE**
- (71) Applicant: **iLumisys, Inc.**, Troy, MI (US)
- (72) Inventors: **James M. Amrine, Jr.**, Ann Arbor, MI (US); **John Ivey**, Farmington Hills, MI (US)
- (73) Assignee: **iLumisys, Inc.**, Troy, MI (US)
- (**) Term: **15 Years**
- (21) Appl. No.: **29/582,626**
- (22) Filed: **Oct. 28, 2016**

Related U.S. Application Data

- (62) Division of application No. 29/532,391, filed on Jul. 7, 2015, now Pat. No. Des. 781,469.
- (51) **LOC (11) Cl.** **26-04**
- (52) **U.S. Cl.**
USPC **D26/3**
- (58) **Field of Classification Search**
USPC D26/1-4; 313/313, 315, 316, 317, 318, 313/493; 315/52, 53, 56, 57, 58
CPC H01J 5/00; H01J 15/00; H01J 5/48; H01J 5/50; H01J 19/54; F21V 5/00; F21K 9/13; F21K 9/135; F21K 9/1375
See application file for complete search history.

References Cited

U.S. PATENT DOCUMENTS

- 5,473,522 A 12/1995 Kriz et al.
- 5,850,126 A 12/1998 Kanbar
- D437,947 S 2/2001 Huang
- 6,227,679 B1 5/2001 Zhang et al.
- D477,093 S 7/2003 Moriyama et al.
- 6,598,996 B1 7/2003 Lodhie
- 6,652,117 B2 11/2003 Tsai
- 6,659,622 B2 12/2003 Katogi et al.
- 6,851,832 B2 2/2005 Tieszen

- D506,274 S 6/2005 Moriyama et al.
- 7,049,761 B2 5/2006 Timmermans et al.
- D553,267 S 10/2007 Yuen
- 7,329,024 B2 2/2008 Lynch et al.
- D574,093 S 7/2008 Kitagawa et al.

(Continued)

Primary Examiner — Marcus Jackson

(74) *Attorney, Agent, or Firm* — Fish & Richardson P.C.

(57) **CLAIM**

The ornamental design for an LED-based light tube, as shown and described.

DESCRIPTION

FIG. 1 is a perspective view of a LED based light tube showing our new design thereof;

FIG. 2 is an enlarged perspective view, with the center portion broken away for ease of illustration thereof;

FIG. 3 is an enlarged, front elevation view of the LED-based light tube of FIGS. 1 and 2 with the middle portion removed for ease of illustration;

FIG. 4 is an enlarged, rear elevation view of the LED-based light tube of FIGS. 1 and 2 with the middle portion removed for ease of illustration;

FIG. 5 is an enlarged, left side elevation view of the LED-based light tube of FIGS. 1 and 2;

FIG. 6 is an enlarged, right side elevation view of the LED-based light tube of FIGS. 1 and 2;

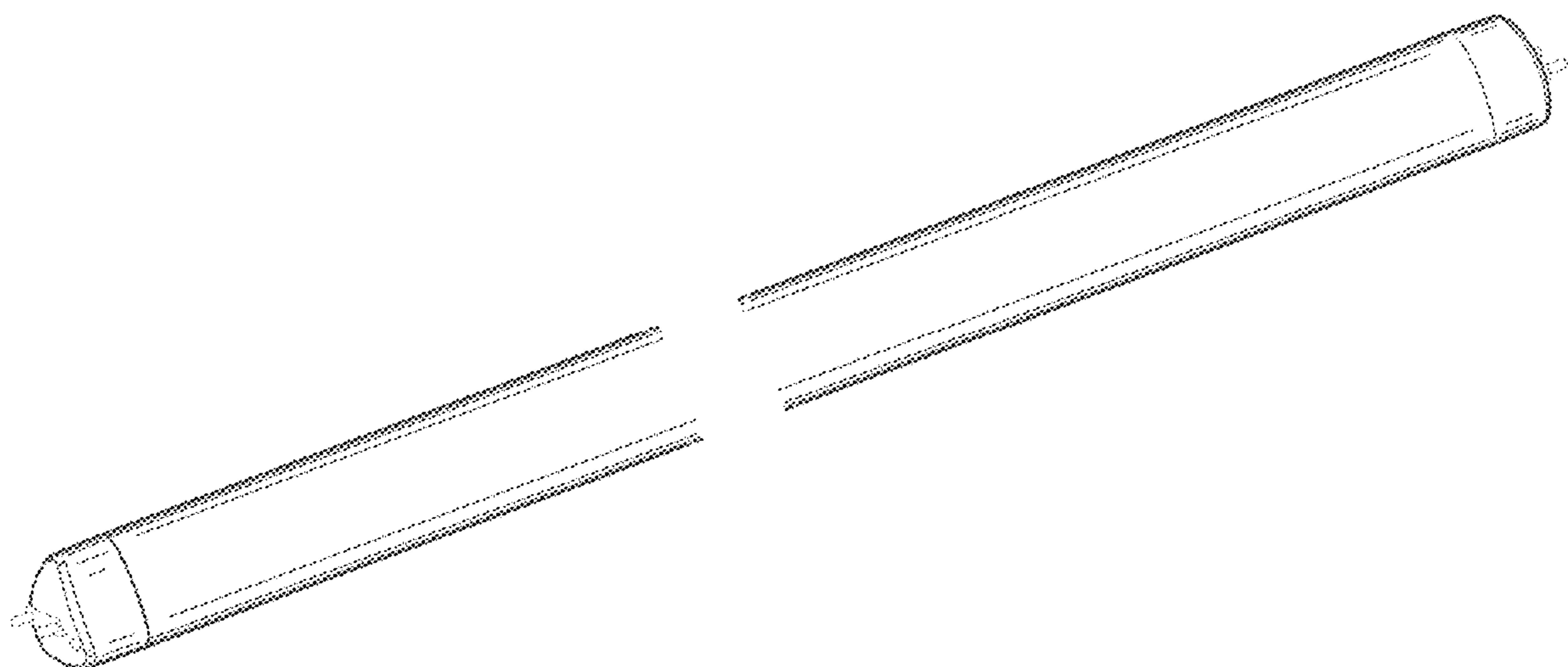
FIG. 7 is an enlarged, top plan view of the LED-based light tube of FIGS. 1 and 2 with the middle portion removed for ease of illustration;

FIG. 8 is an enlarged, bottom plan view of the LED-based light tube of FIGS. 1 and 2 with the middle portion removed for ease of illustration; and,

FIG. 9 is a cross-sectional view taken along line 9-9 in FIG. 1.

The shade lines show contour and not surface ornamentation. The broken lines are environmental and form no part of the claimed design.

1 Claim, 3 Drawing Sheets



(56)

References Cited

U.S. PATENT DOCUMENTS

7,396,146 B2 7/2008 Wang
 D576,749 S * 9/2008 Kitagawa D26/3
 D581,556 S * 11/2008 To D26/2
 D584,429 S 1/2009 Pei et al.
 7,510,299 B2 3/2009 Timmermans et al.
 7,514,876 B2 4/2009 Roach, Jr.
 7,521,872 B2 4/2009 Bruning
 D594,999 S * 6/2009 Uchida D26/3
 D597,686 S * 8/2009 Noh D26/3
 7,594,738 B1 9/2009 Lin et al.
 D601,726 S 10/2009 Mollaert et al.
 D610,724 S 2/2010 Chiang et al.
 D611,172 S 3/2010 Lin et al.
 7,712,918 B2 5/2010 Siemiet et al.
 7,758,207 B1 7/2010 Zhou et al.
 D621,975 S 8/2010 Wang
 7,784,966 B2 8/2010 Verfuert et al.
 7,815,338 B2 10/2010 Siemiet et al.
 7,850,341 B2 12/2010 Mrakovich et al.
 RE42,161 E 2/2011 Hochstein
 7,878,683 B2 2/2011 Logan et al.
 7,887,216 B2 2/2011 Patrick
 7,887,226 B2 2/2011 Huang et al.

D634,452 S 3/2011 de Visser
 D636,504 S 4/2011 Duster
 7,926,975 B2 4/2011 Siemiet et al.
 7,938,562 B2 5/2011 Ivey et al.
 7,946,729 B2 5/2011 Ivey et al.
 7,976,196 B2 7/2011 Ivey et al.
 7,990,070 B2 8/2011 Nerone
 7,997,770 B1 8/2011 Meurer
 D650,097 S 12/2011 Trumble et al.
 D650,494 S 12/2011 Tsao et al.
 D652,968 S 1/2012 Aguiar et al.
 8,093,823 B1 1/2012 Ivey et al.
 D654,192 S 2/2012 Maxik et al.
 8,118,447 B2 2/2012 Simon et al.
 D660,472 S 5/2012 Aguiar et al.
 D662,236 S 6/2012 Matsushita
 2003/0218879 A1 11/2003 Tieszen
 2007/0195527 A1 8/2007 Russell
 2007/0285926 A1 12/2007 Maxik
 2009/0046473 A1 2/2009 Tsai et al.
 2010/0270925 A1 10/2010 Withers
 2011/0090682 A1 4/2011 Zheng et al.
 2011/0156584 A1 6/2011 Kim
 2011/0176298 A1 7/2011 Meurer et al.
 2011/0199769 A1 8/2011 Bretschneider et al.

* cited by examiner

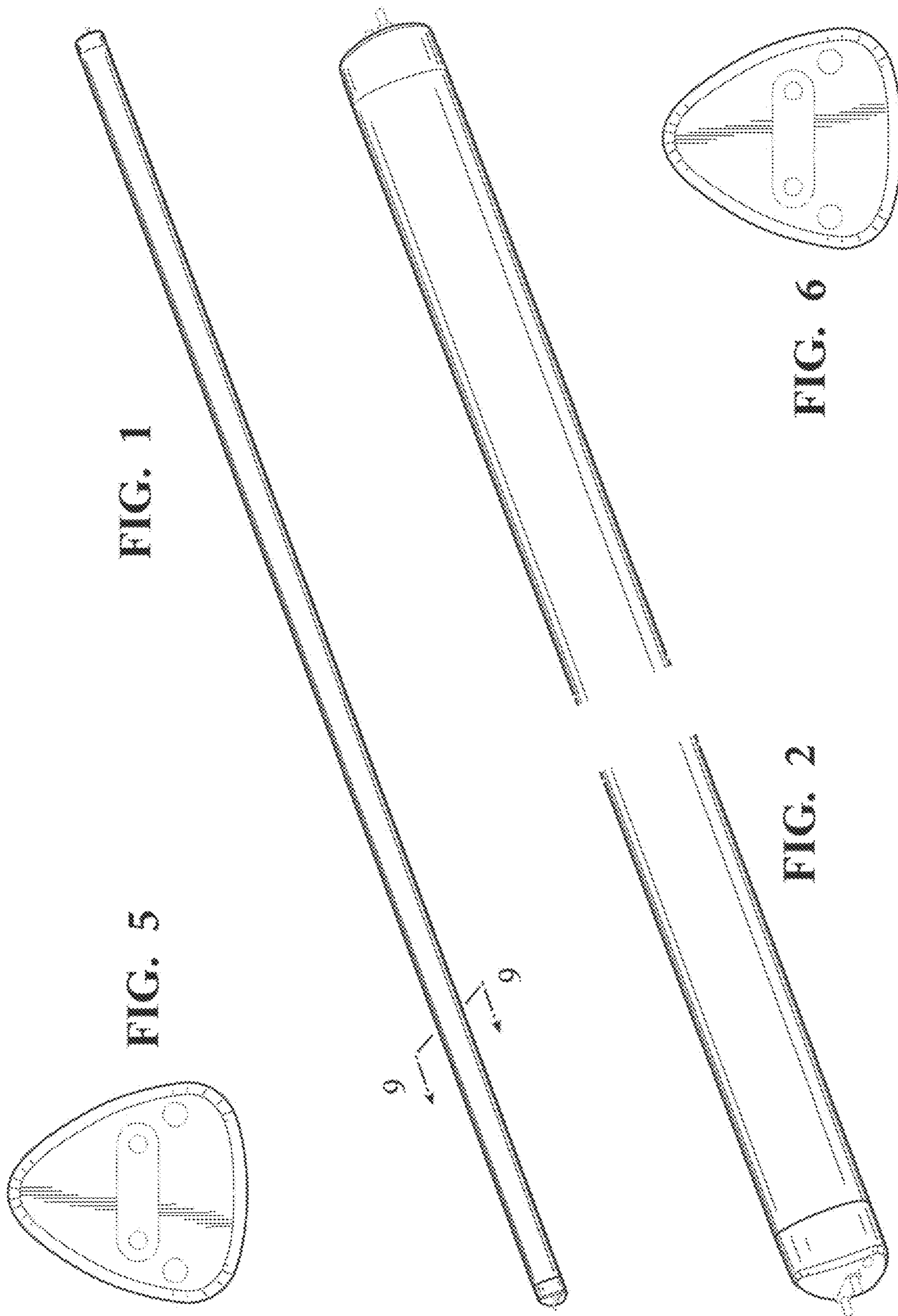


FIG. 1

FIG. 5

FIG. 6

FIG. 2

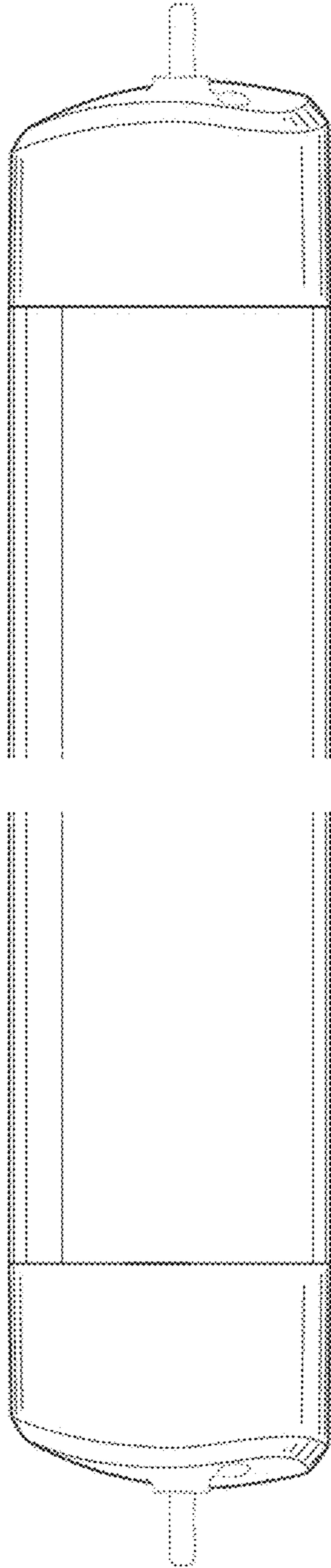


FIG. 3

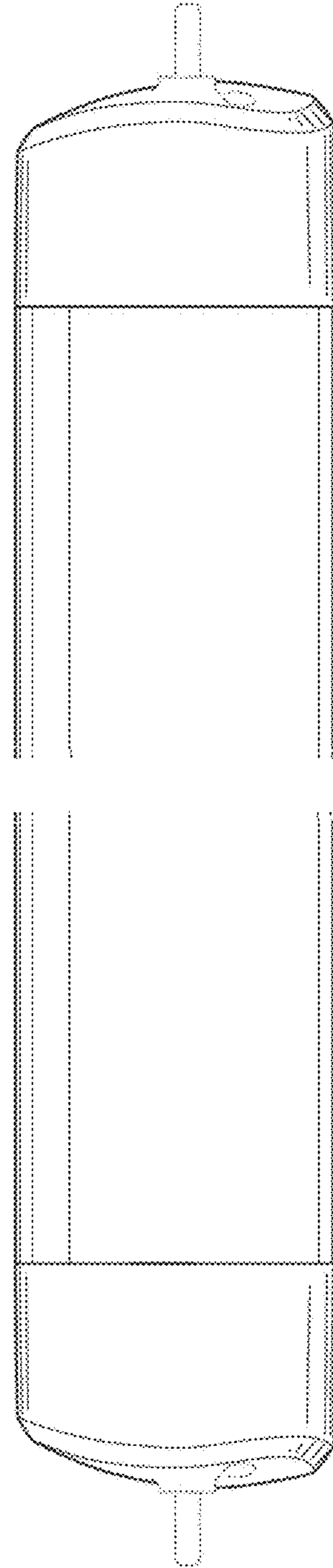


FIG. 4

FIG. 7

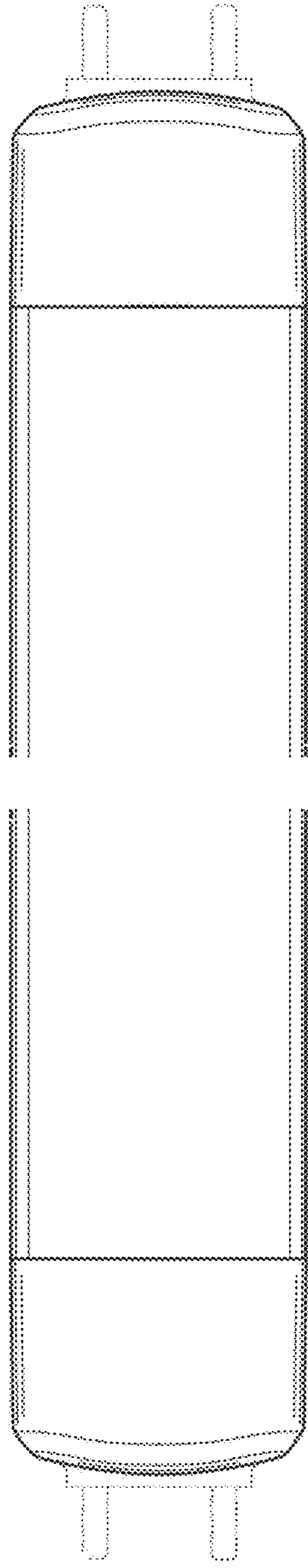
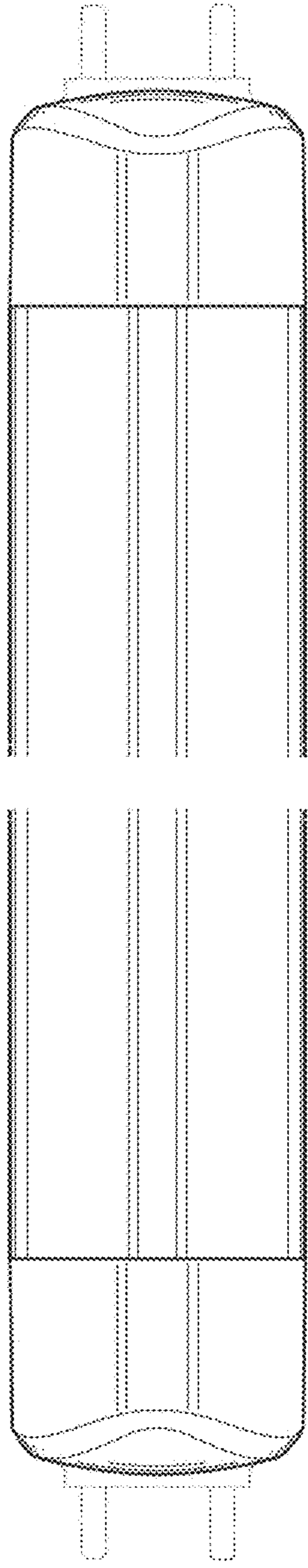


FIG. 8

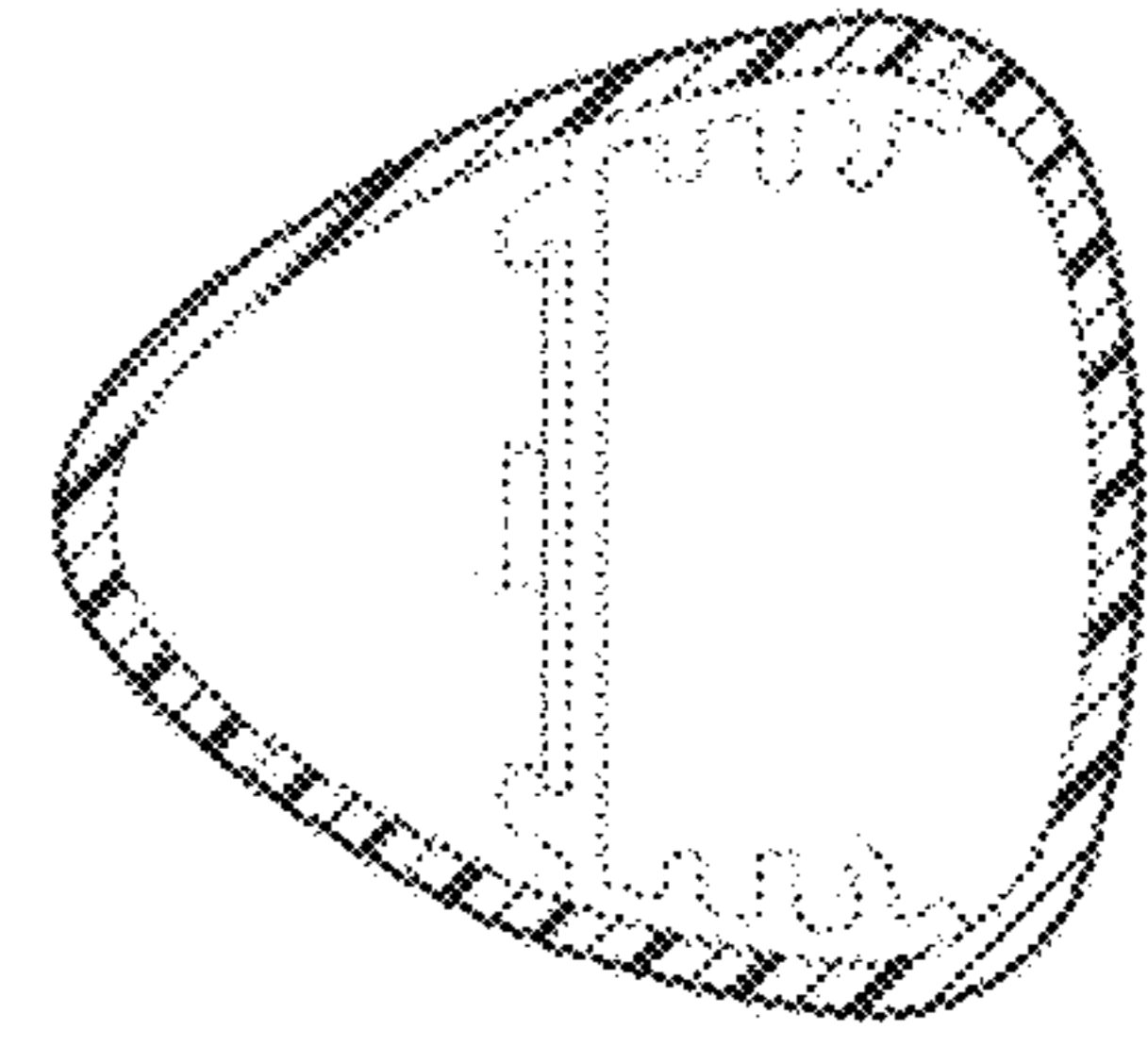


FIG. 9