



US00D817522S

(12) **United States Design Patent** (10) **Patent No.:** **US D817,522 S**  
**Xu et al.** (45) **Date of Patent:** **\*\* May 8, 2018**

(54) **TUBE FIN FOR A LED LAMP**

D566,300 S \* 4/2008 Lo ..... D26/2  
D581,555 S \* 11/2008 To ..... D26/2  
D584,838 S \* 1/2009 To ..... D26/2  
D610,722 S \* 2/2010 Bi ..... D26/2

(71) Applicant: **JIAXING SUPER LIGHTING  
ELECTRIC APPLIANCE CO., LTD,**  
Zhejiang (CN)

\* cited by examiner

(72) Inventors: **Jin-Feng Xu**, Zhejiang (CN); **Yong-si  
Bi**, Zhejiang (CN); **Chang Yang**,  
Zhejiang (CN)

*Primary Examiner* — Marcus Jackson  
(74) *Attorney, Agent, or Firm* — Andrew M. Calderon;  
Roberts Mlotkowski Safran Cole & Calderon, P.C.

(73) Assignee: **JIAXING SUPER LIGHTING  
ELECTRIC APPLIANCE CO., LTD,**  
Zhejiang (CN)

(57) **CLAIM**

(\*\*) Term: **15 Years**

The ornamental design for a tube fin for a LED lamp, as  
shown and described.

(21) Appl. No.: **29/580,564**

(22) Filed: **Oct. 11, 2016**

**DESCRIPTION**

(30) **Foreign Application Priority Data**

Apr. 29, 2016 (CN) ..... 2016 3 0152355  
Apr. 29, 2016 (CN) ..... 2016 3 0152368

(51) **LOC (11) Cl.** ..... **26-04**

(52) **U.S. Cl.**  
USPC ..... **D26/2**

(58) **Field of Classification Search**  
USPC ..... D26/1-4; 313/313, 315, 316, 317, 318,  
313/493; 315/52, 53, 56, 57, 58  
CPC ..... H01R 5/00; H01R 13/46; H01R 13/514;  
H01R 31/048; H01R 31/02; H01J 5/00;  
H01J 5/16; H01J 15/00; H01J 5/48; H01J  
5/50; H01J 19/54; F21V 5/00  
See application file for complete search history.

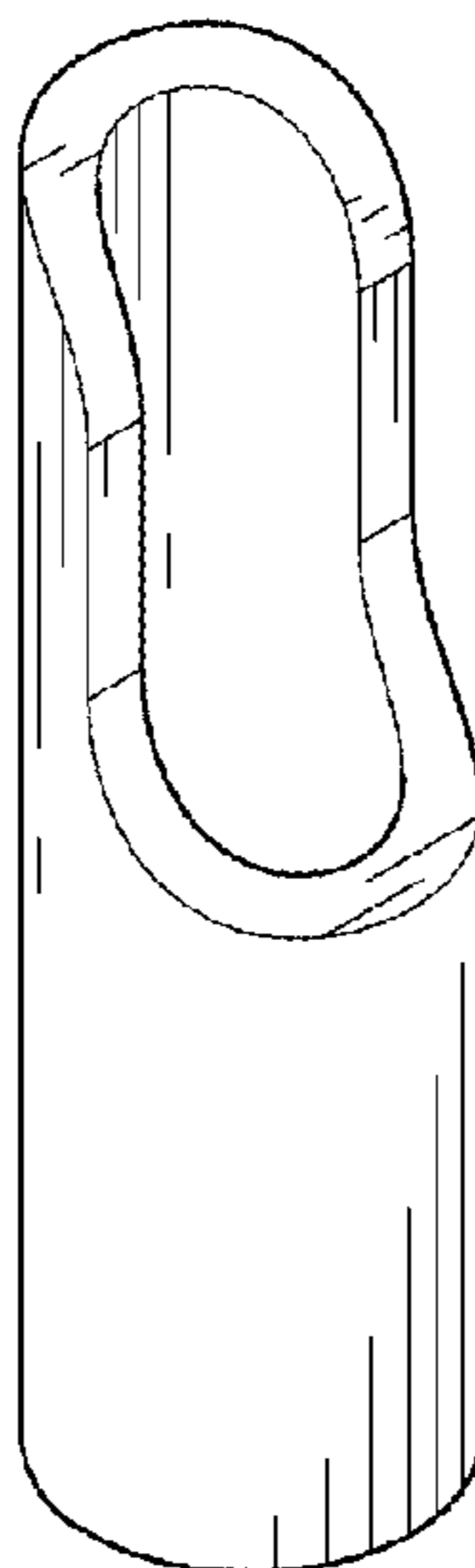
FIG. 1 is a perspective view of a tube fin for a LED lamp  
showing our new design;  
FIG. 2 is a front view of FIG. 1;  
FIG. 3 is a rear view of FIG. 1;  
FIG. 4 is a left side view of FIG. 1;  
FIG. 5 is a right side view of FIG. 1;  
FIG. 6 is a top view of FIG. 1;  
FIG. 7 is a bottom view of FIG. 1;  
FIG. 8 is a reference view of an LED lamp showing the tube  
fin of FIG. 1 in an environment in which it may be used;  
FIG. 9 is a perspective view of an embodiment of FIG. 1;  
FIG. 10 is a front view of FIG. 9;  
FIG. 11 is a rear view of FIG. 9;  
FIG. 12 is a left side view of FIG. 9;  
FIG. 13 is a right side view of FIG. 9;  
FIG. 14 is a top view of FIG. 9;  
FIG. 15 is a bottom view of FIG. 9; and,  
FIG. 16 is a reference view of an LED lamp showing the  
tube fin of FIG. 9 in an environment in which it may be used.

(56) **References Cited**

**U.S. PATENT DOCUMENTS**

D532,532 S \* 11/2006 Maxik ..... D26/2  
D544,110 S \* 6/2007 Hooker ..... D26/2

**1 Claim, 10 Drawing Sheets**



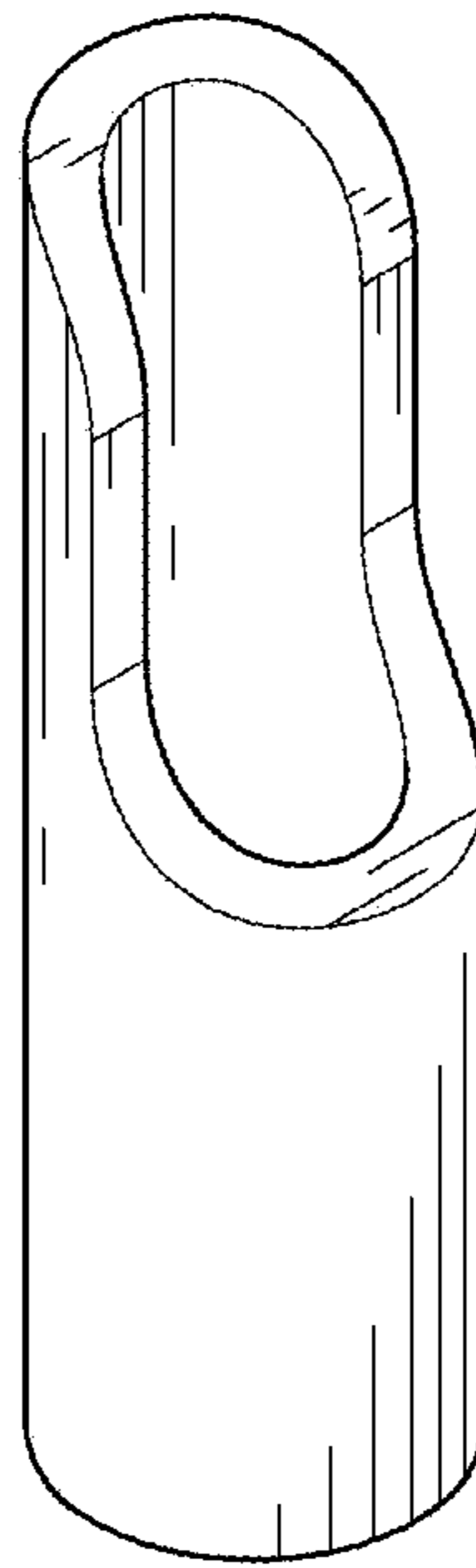


FIG. 1

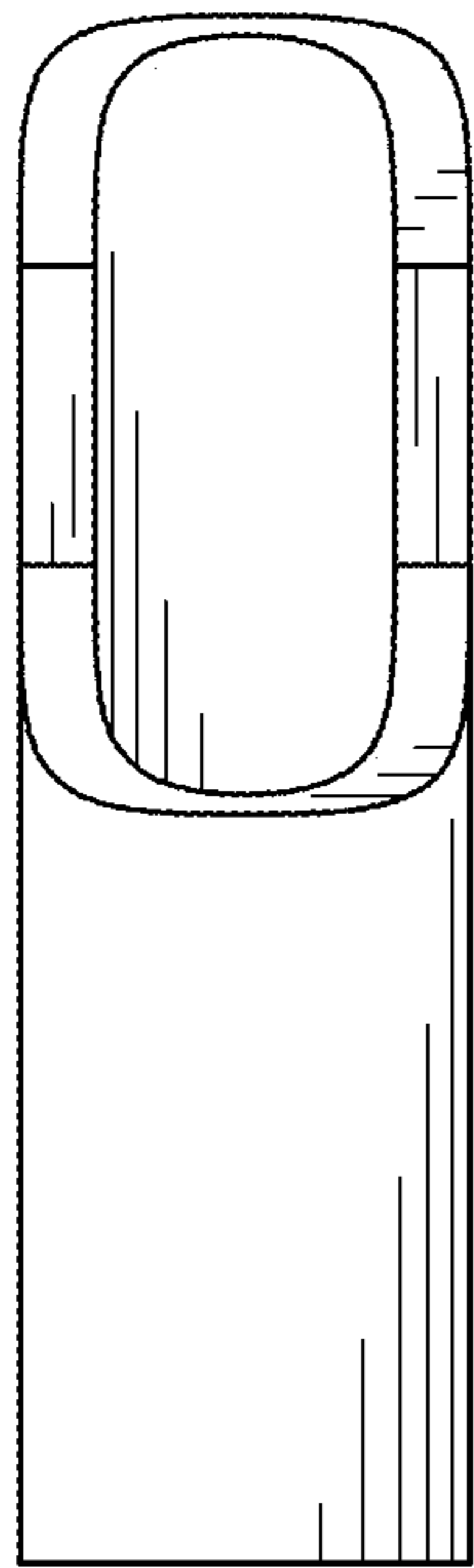


FIG. 2

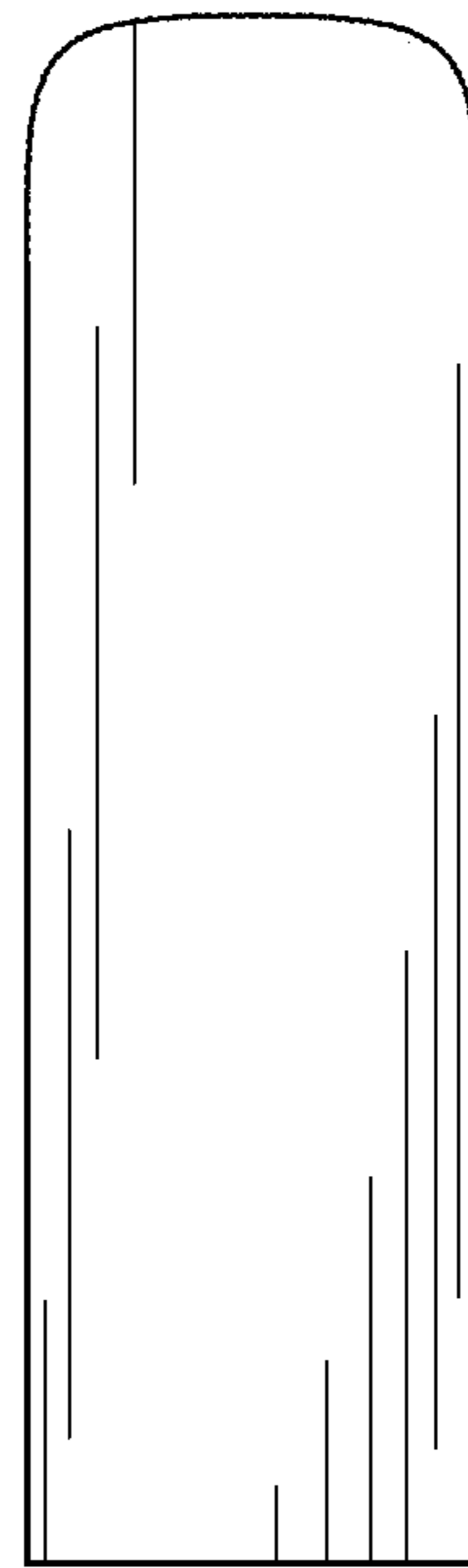


FIG. 3

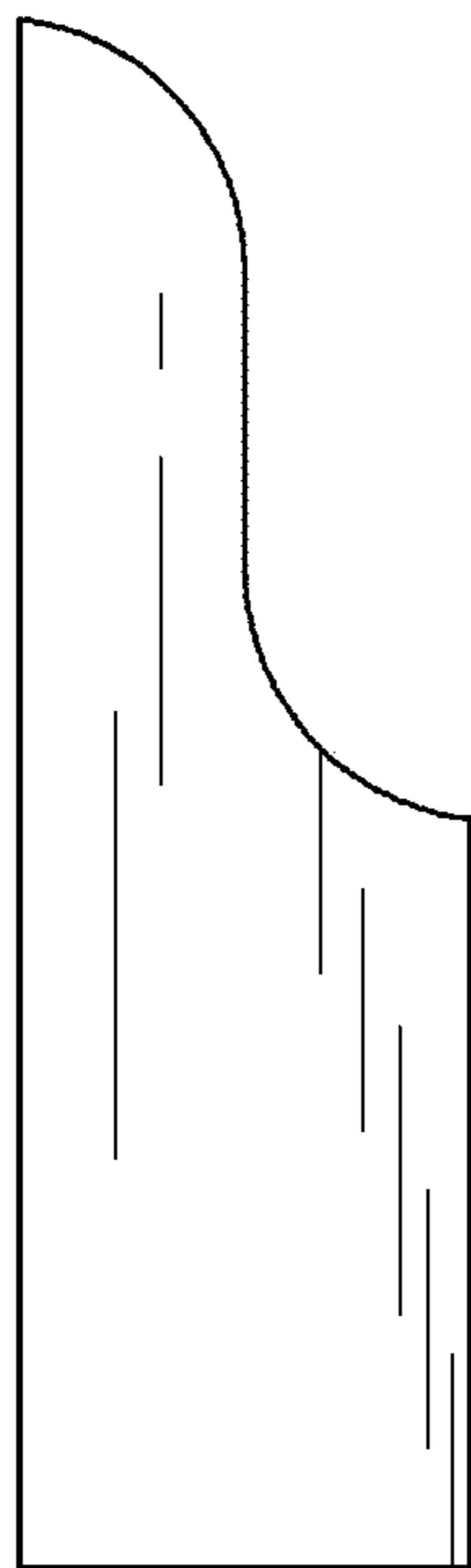


FIG. 4

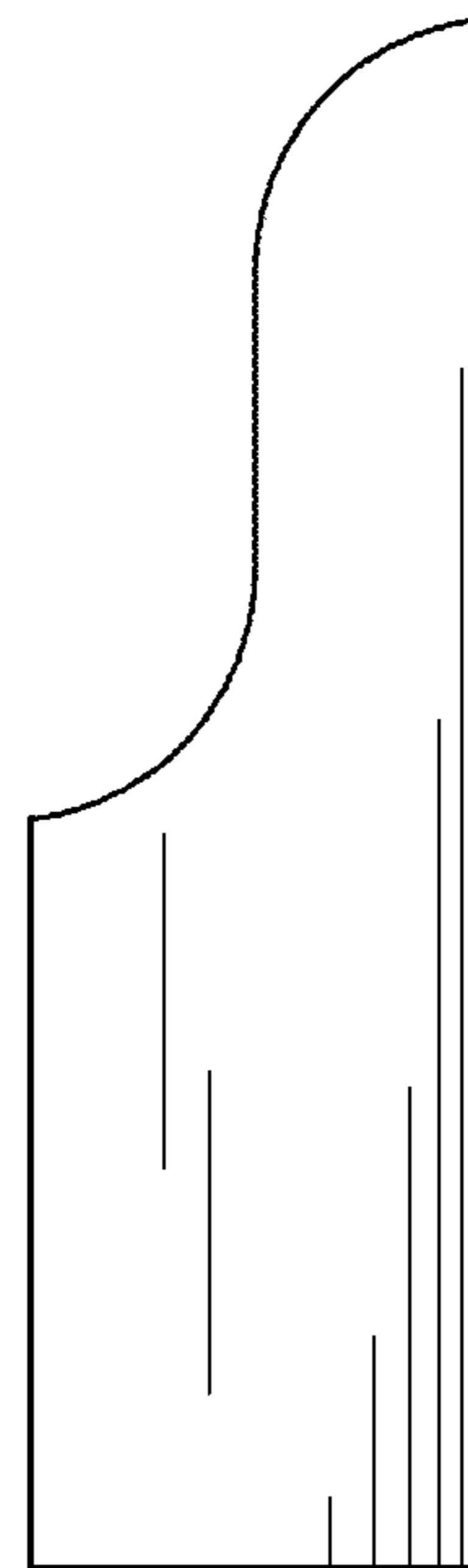


FIG. 5

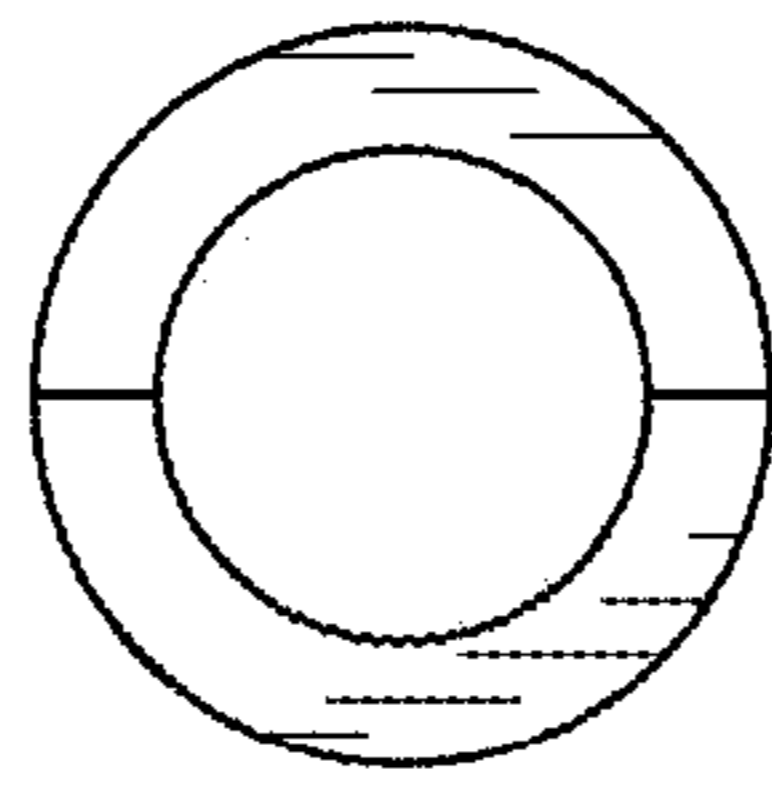


FIG. 6

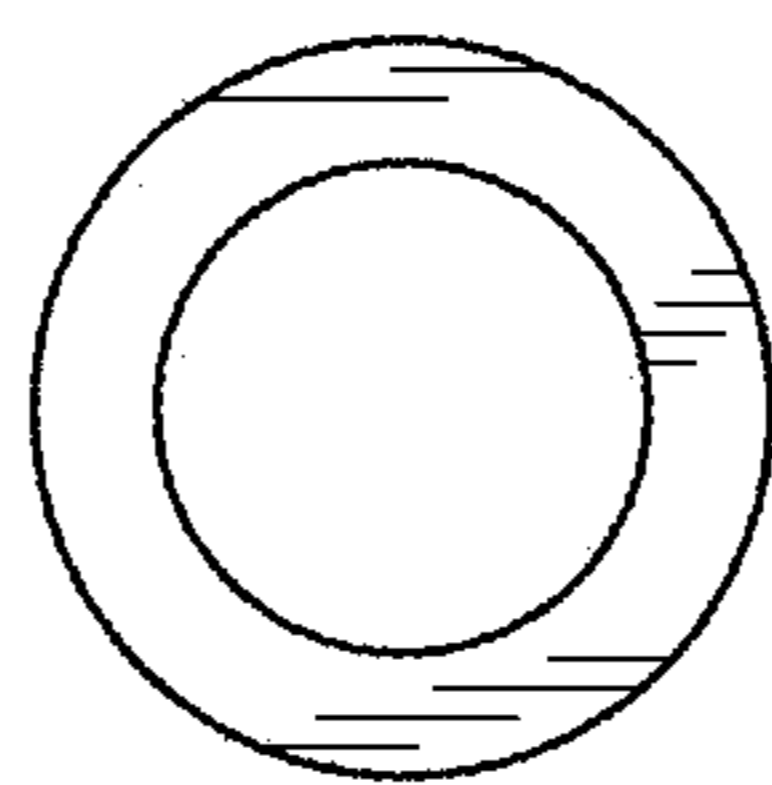


FIG. 7

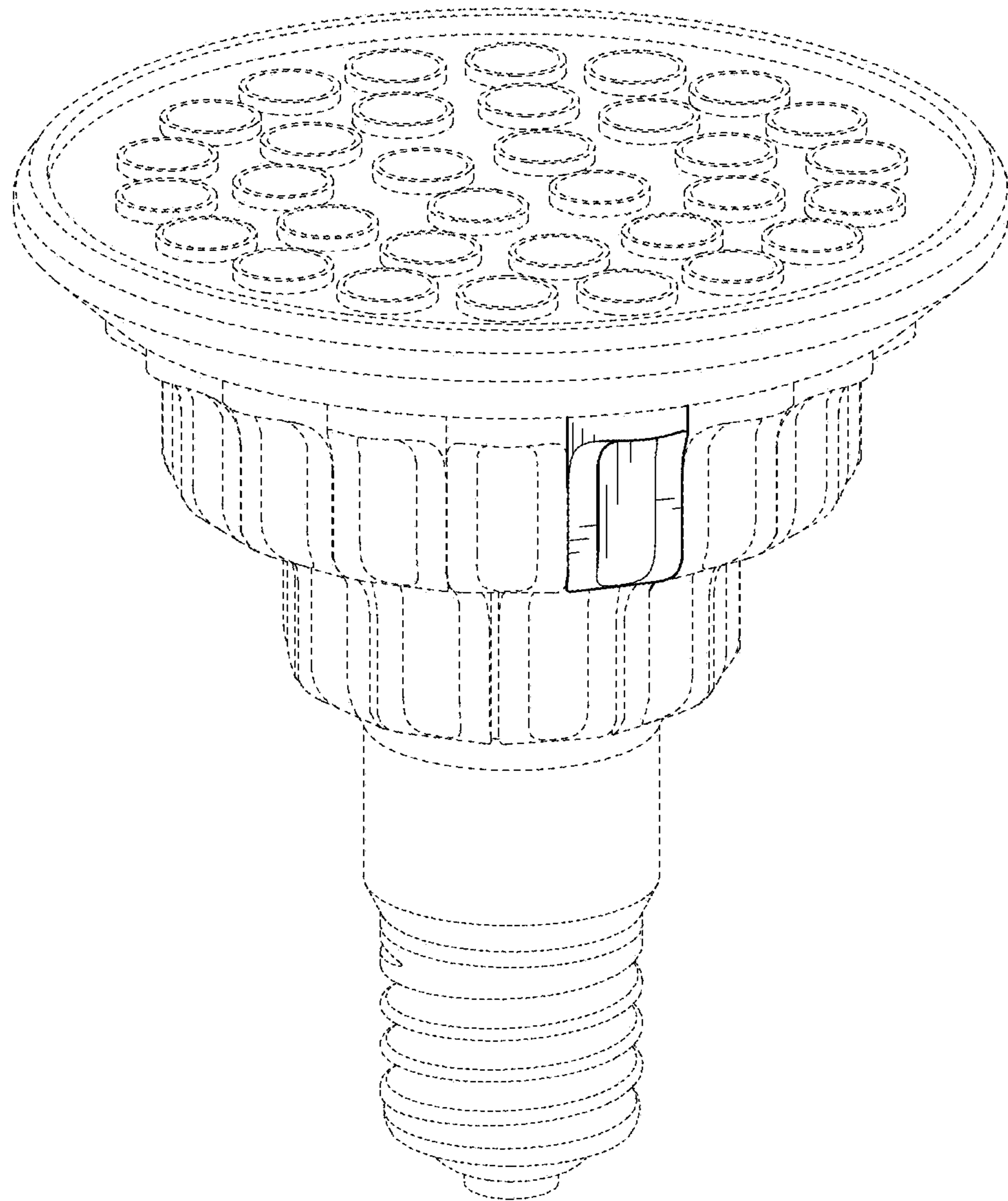


FIG. 8

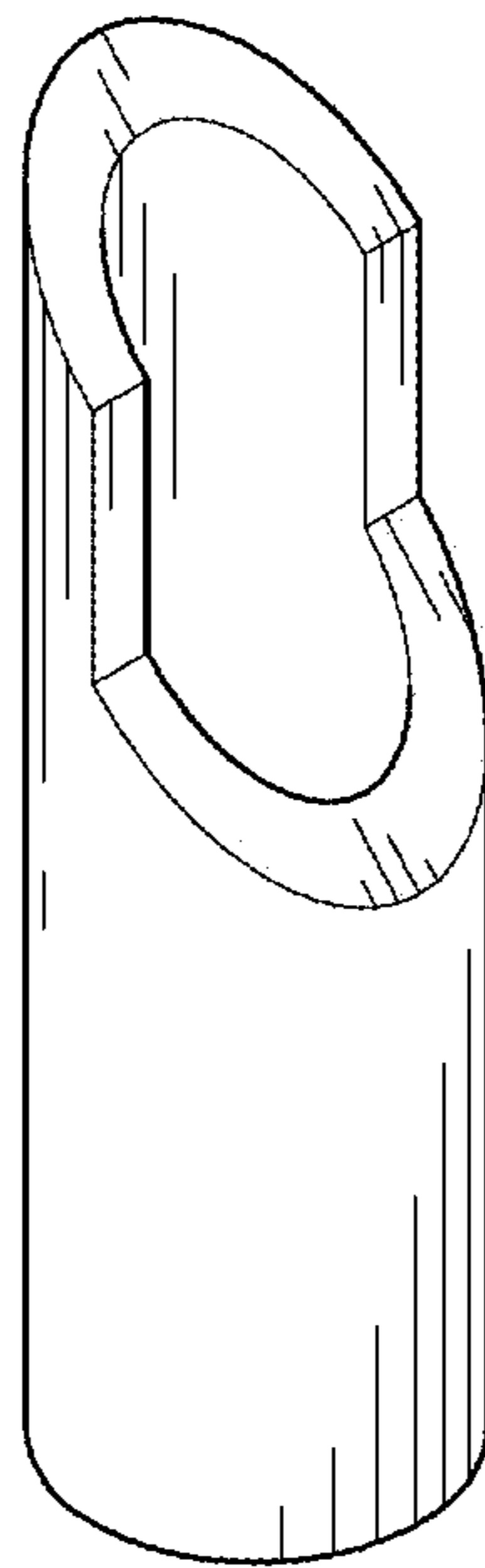


FIG. 9

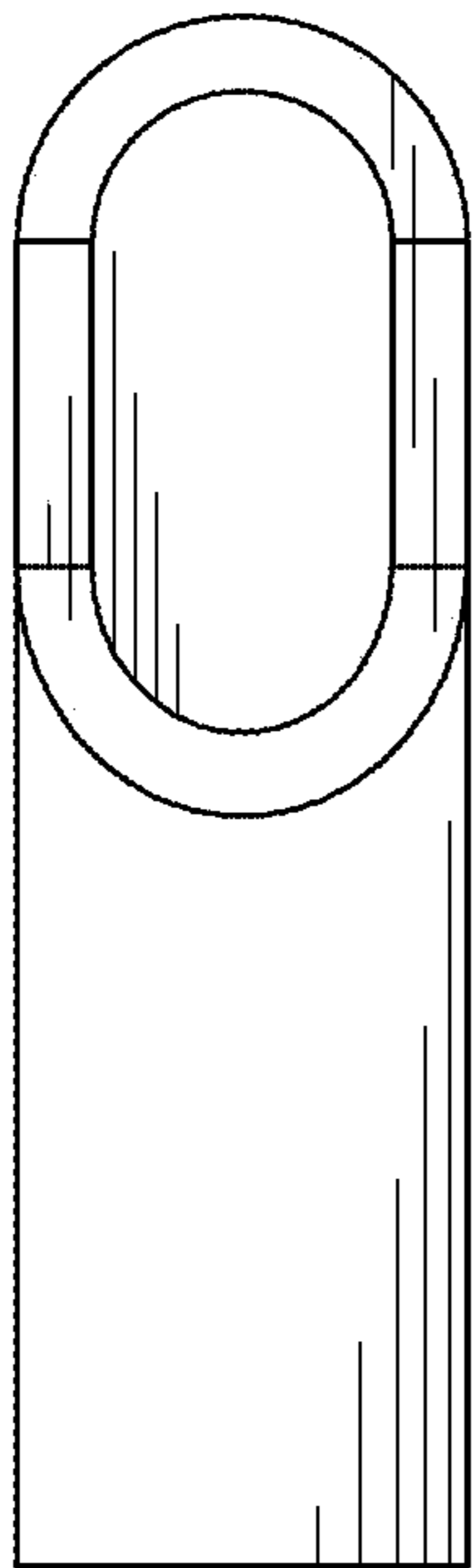


FIG. 10

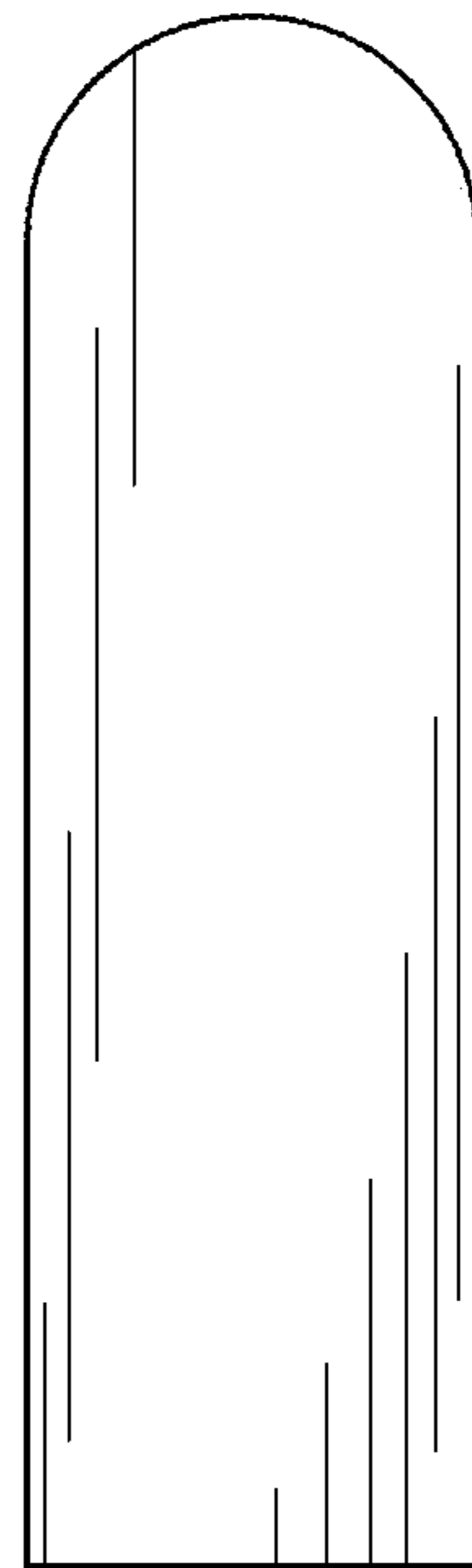


FIG. 11



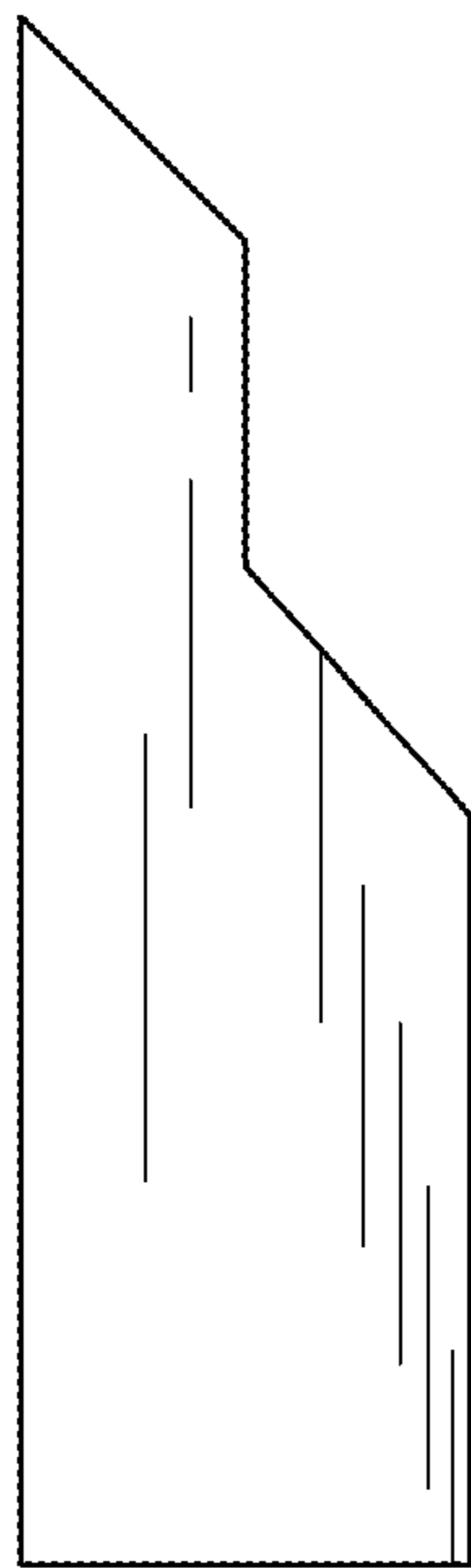


FIG. 12

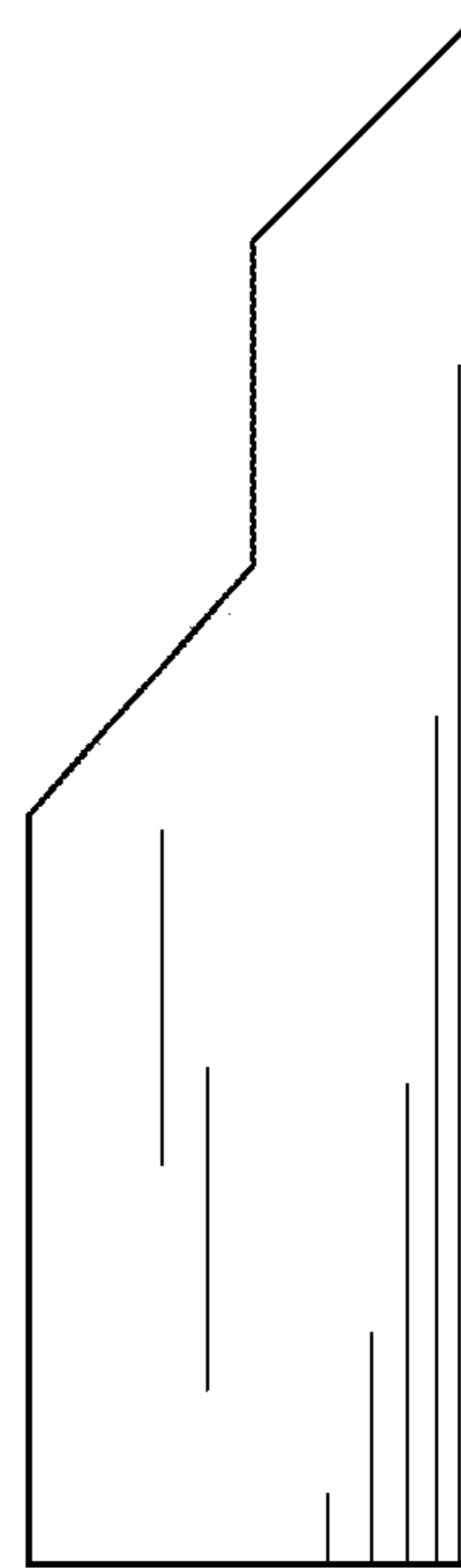


FIG. 13

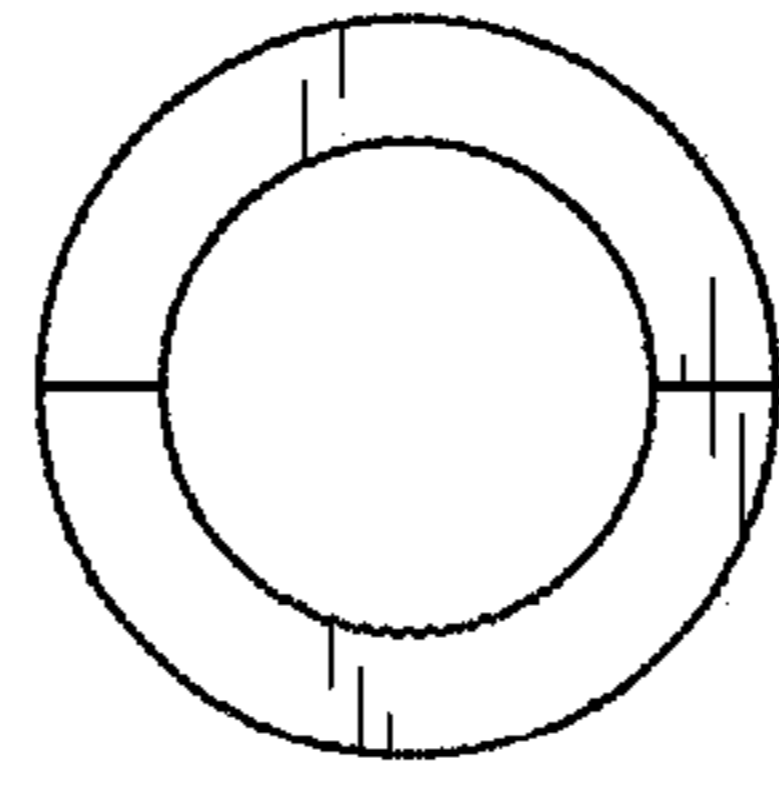


FIG. 14

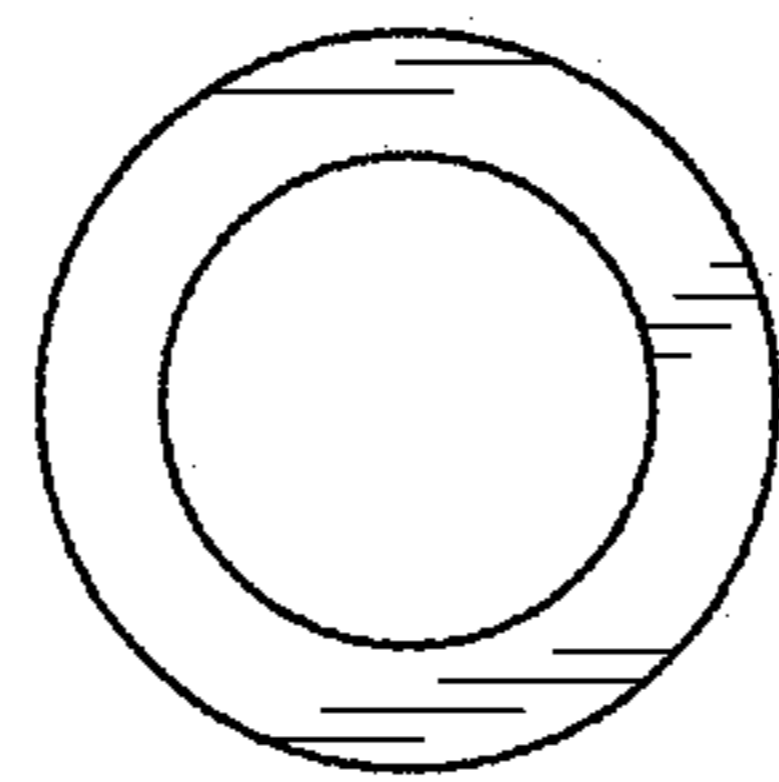


FIG. 15

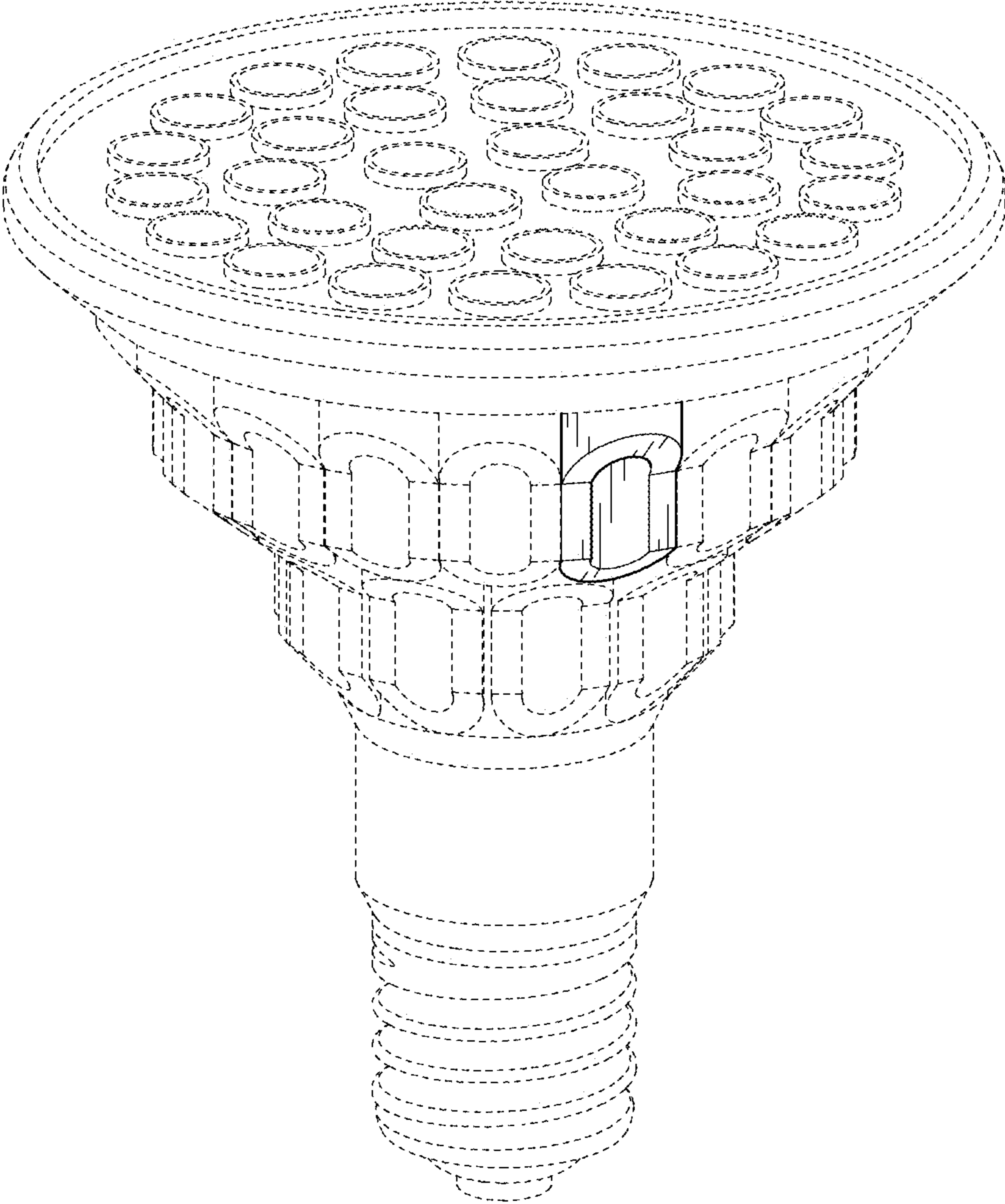


FIG.16