



US00D817519S

(12) **United States Design Patent** (10) **Patent No.:** **US D817,519 S**  
**Ryan** (45) **Date of Patent:** **\*\* May 8, 2018**

- (54) **ROOFING DECK CEILING SYSTEM**
- (71) Applicant: **Epic Metals Corporation**, Rankin, PA (US)
- (72) Inventor: **Thomas G. Ryan**, Ligonier, PA (US)
- (73) Assignee: **Epic Metals Corporation**, Rankin, PA (US)
- (\*\*) Term: **15 Years**
- (21) Appl. No.: **29/595,990**
- (22) Filed: **Mar. 3, 2017**

- 3,707,088 A 12/1972 King et al.
- D238,898 S 2/1976 Landis et al.
- 3,967,426 A 7/1976 Ault et al.
- D241,104 S 8/1976 Copeland
- 4,085,558 A 4/1978 Albrecht
- 4,454,692 A 6/1984 Ault
- 5,172,527 A 12/1992 Ault
- 5,205,098 A 4/1993 Landis et al.
- D337,169 S 7/1993 Schipp
- D340,532 S 10/1993 Jansen
- 5,259,157 A 11/1993 Ault
- 5,491,946 A 2/1996 Landis et al.
- 5,740,633 A 4/1998 Champagne

(Continued)

*Primary Examiner* — Prabhakar Deshmukh  
(74) *Attorney, Agent, or Firm* — The Webb Law Firm

**Related U.S. Application Data**

- (62) Division of application No. 29/539,872, filed on Sep. 18, 2015, now Pat. No. Des. 785,209, which is a division of application No. 29/476,495, filed on Dec. 13, 2013, now Pat. No. Des. 425,541.

- (51) **LOC (11) Cl.** ..... **25-01**
- (52) **U.S. Cl.**  
USPC ..... **D25/119**

- (58) **Field of Classification Search**  
USPC ..... D25/119, 121, 56, 48.8, 120, 122;  
52/507, 581, 579, 650.3, 656.8, 673, 674,  
52/578, 87; 135/117, 906  
CPC ..... E04B 1/00; E04B 1/32; E04B 2/00; E04B  
7/00; E04B 9/00  
See application file for complete search history.

(56) **References Cited**

U.S. PATENT DOCUMENTS

- 1,984,134 A 12/1934 Himmel et al.
- 2,123,366 A 7/1938 Kehr et al.
- 2,130,115 A 9/1938 Biddle
- D178,659 S 9/1956 Hield
- D206,131 S 11/1966 Ford
- D217,247 S 4/1970 Brown

(57) **CLAIM**

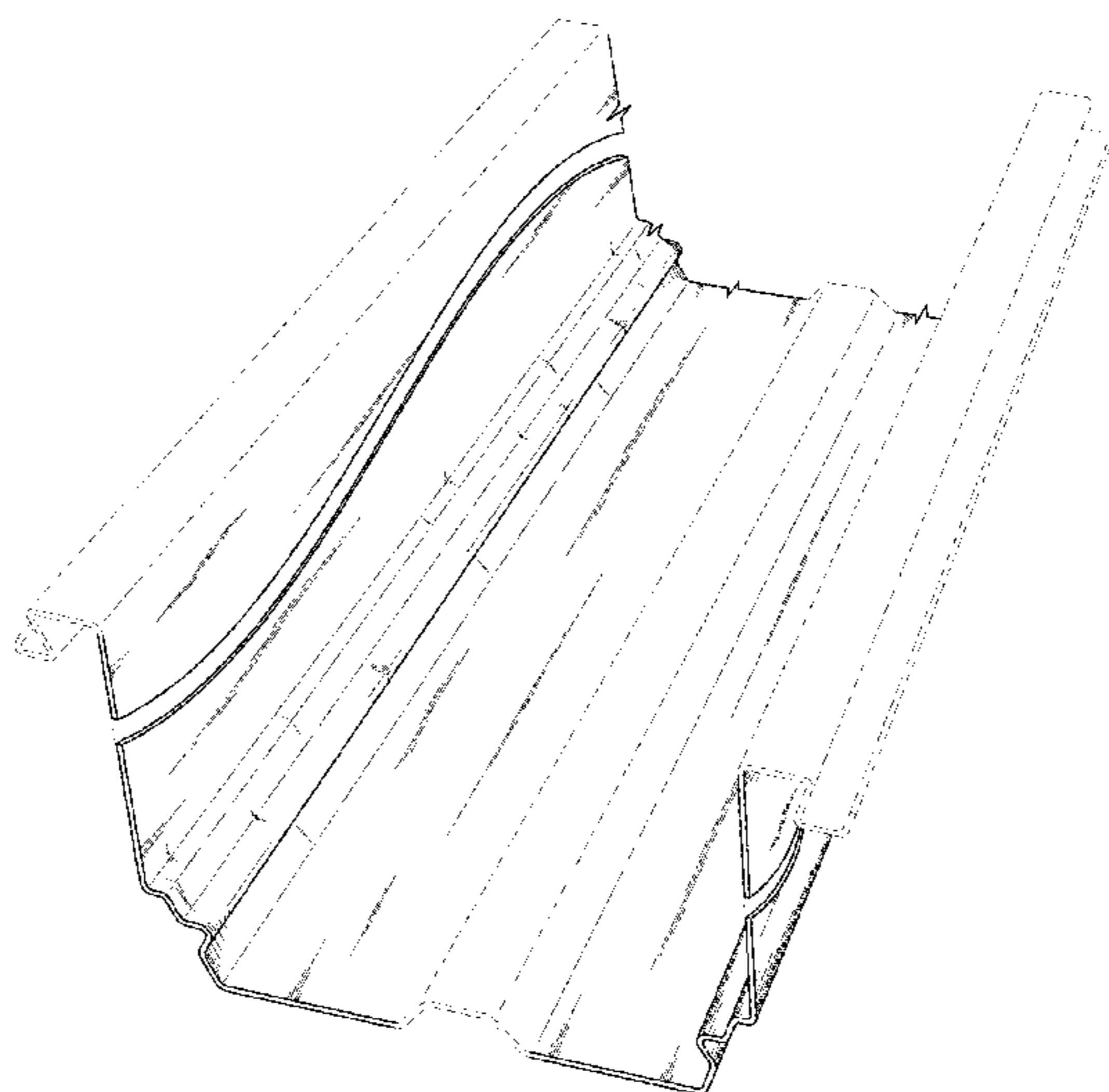
The ornamental design for a roofing deck ceiling system, as shown and described.

**DESCRIPTION**

FIG. 1 is an upper right front perspective view of a roofing deck ceiling system showing my new design; FIG. 2 is a top view thereof; FIG. 3 is a bottom view thereof; FIG. 4 is a left side view thereof; FIG. 5 is a right side view thereof; FIG. 6 is a front view thereof; and, FIG. 7 is a rear view thereof.

The broken lines illustrate unclaimed portions and form no part of the claimed design. The broken away symbols in the drawings indicate indeterminate length and any portion of the roofing deck ceiling system extending beyond the symbolic break forms no part of the claimed design. The roofing deck ceiling system is shown with symbolic breaks in its height to indicate indeterminate height; the appearance of any portion of the roofing deck ceiling system between the break lines forms no part of the claimed design.

**1 Claim, 5 Drawing Sheets**



(56)

**References Cited**

U.S. PATENT DOCUMENTS

|           |      |         |                 |                          |
|-----------|------|---------|-----------------|--------------------------|
| 6,035,587 | A *  | 3/2000  | Dressler .....  | E04D 13/0459<br>52/716.2 |
| D441,876  | S    | 5/2001  | Eaton           |                          |
| D443,368  | S    | 6/2001  | Eaton           |                          |
| D447,820  | S *  | 9/2001  | Grace .....     | D25/119                  |
| D454,180  | S    | 3/2002  | Wessels         |                          |
| 6,357,191 | B1   | 3/2002  | Ault et al.     |                          |
| 6,539,675 | B1 * | 4/2003  | Gile .....      | E04D 13/152<br>454/260   |
| 6,578,322 | B2 * | 6/2003  | Kintop .....    | E04D 13/155<br>52/300    |
| 6,691,482 | B1   | 2/2004  | Ault            |                          |
| 6,813,864 | B2   | 11/2004 | Landis          |                          |
| D507,353  | S    | 7/2005  | Rasmussen       |                          |
| D507,665  | S    | 7/2005  | Ryan et al.     |                          |
| D511,580  | S    | 11/2005 | Ryan et al.     |                          |
| 7,146,920 | B1   | 12/2006 | Ryan et al.     |                          |
| D537,961  | S    | 3/2007  | Chaput          |                          |
| D552,765  | S    | 10/2007 | Ault et al.     |                          |
| 7,328,667 | B1   | 2/2008  | Ryan et al.     |                          |
| 7,418,807 | B1   | 9/2008  | Ryan et al.     |                          |
| 7,603,814 | B1   | 10/2009 | Hartmann et al. |                          |
| D608,464  | S    | 1/2010  | Ryan            |                          |
| D622,417  | S    | 8/2010  | Ryan            |                          |
| D623,773  | S    | 9/2010  | Ryan            |                          |
| 7,793,477 | B1   | 9/2010  | Potts           |                          |
| D648,445  | S    | 11/2011 | Ryan            |                          |
| D655,022  | S    | 2/2012  | Ryan            |                          |
| D661,410  | S    | 6/2012  | Ryan            |                          |
| D663,045  | S    | 7/2012  | Ryan            |                          |
| D677,405  | S    | 3/2013  | Landis          |                          |
| 8,572,900 | B1   | 11/2013 | Potts           |                          |
| D718,876  | S    | 12/2014 | Smedberg        |                          |

\* cited by examiner

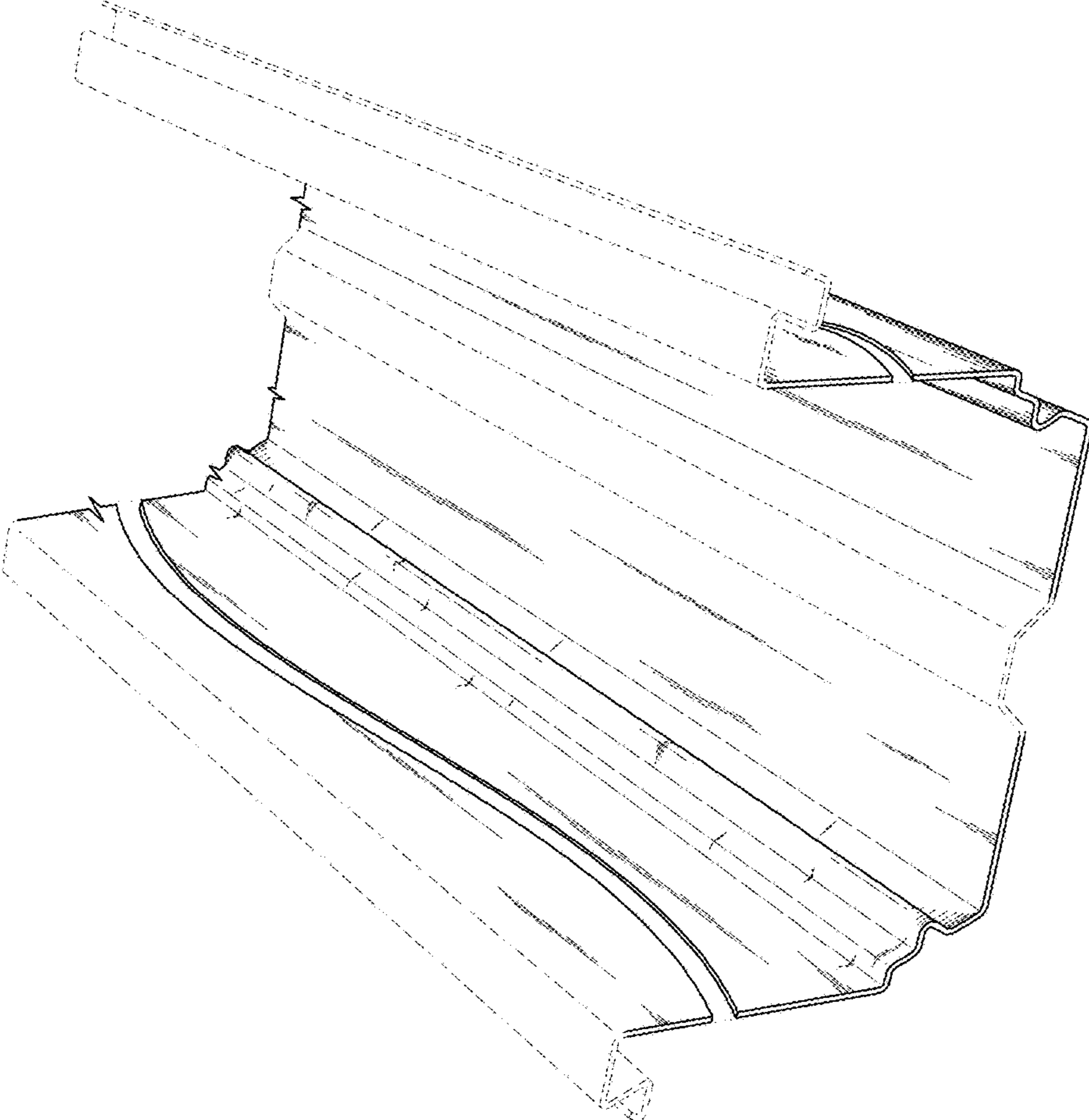
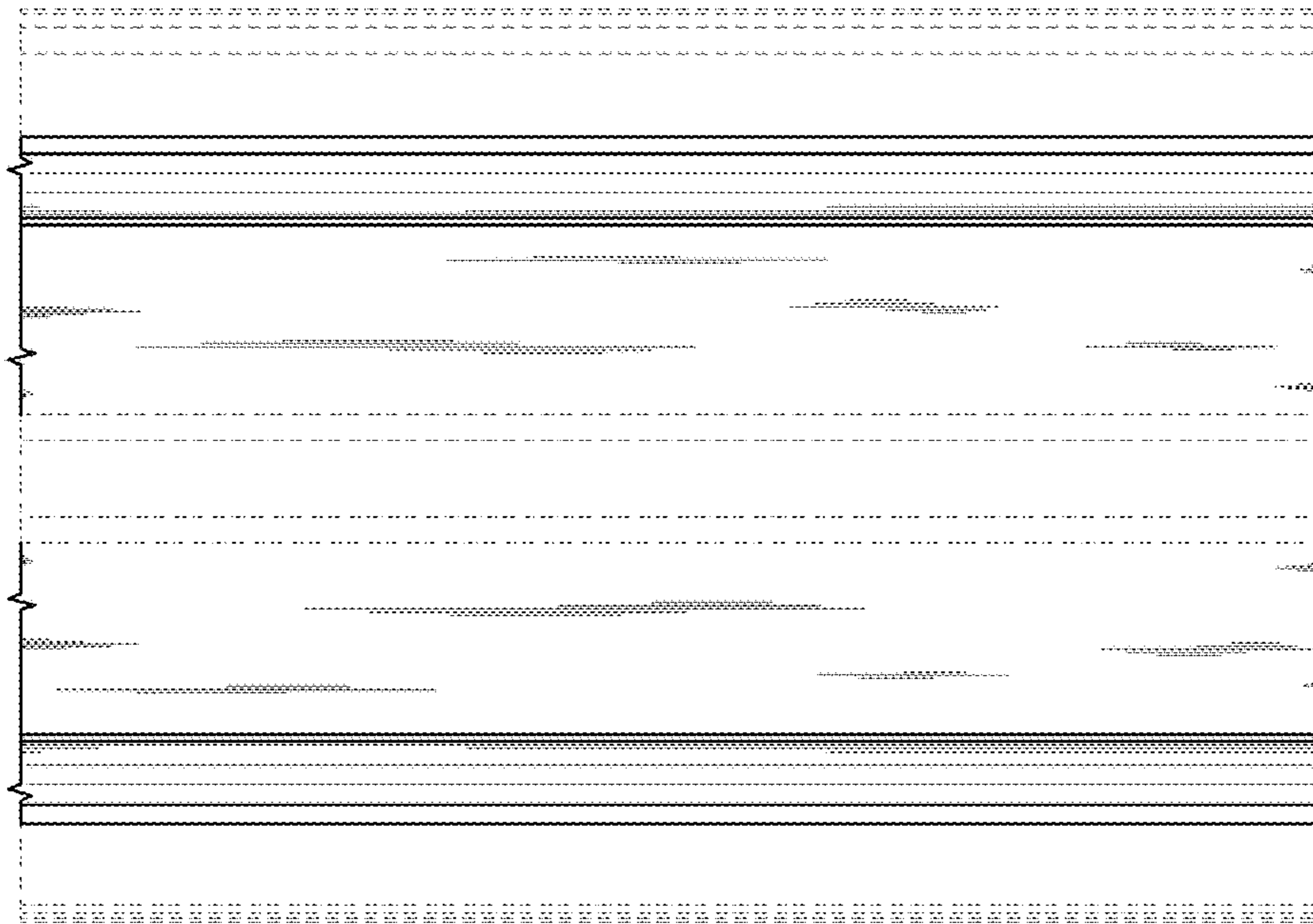
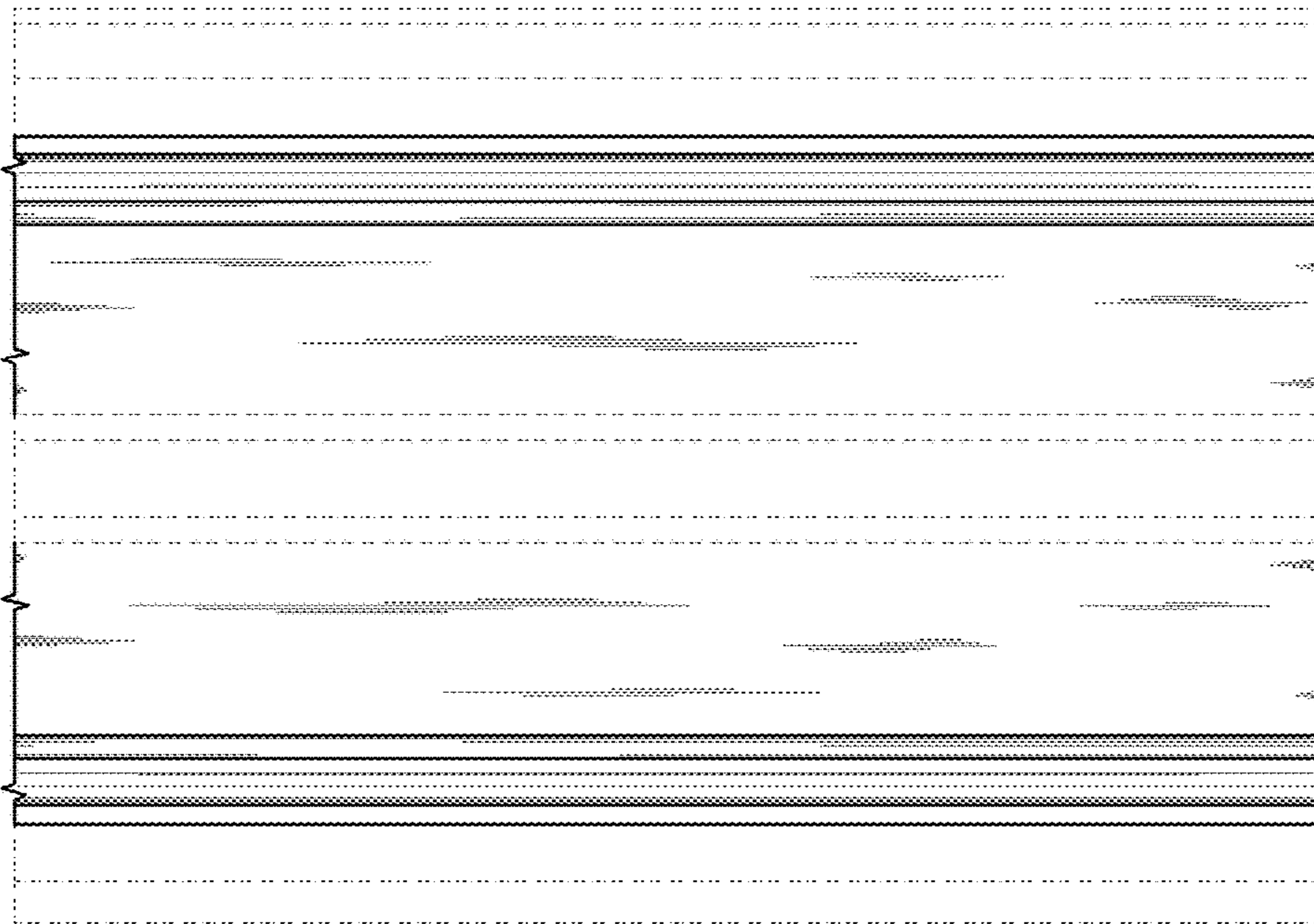


FIG. 1

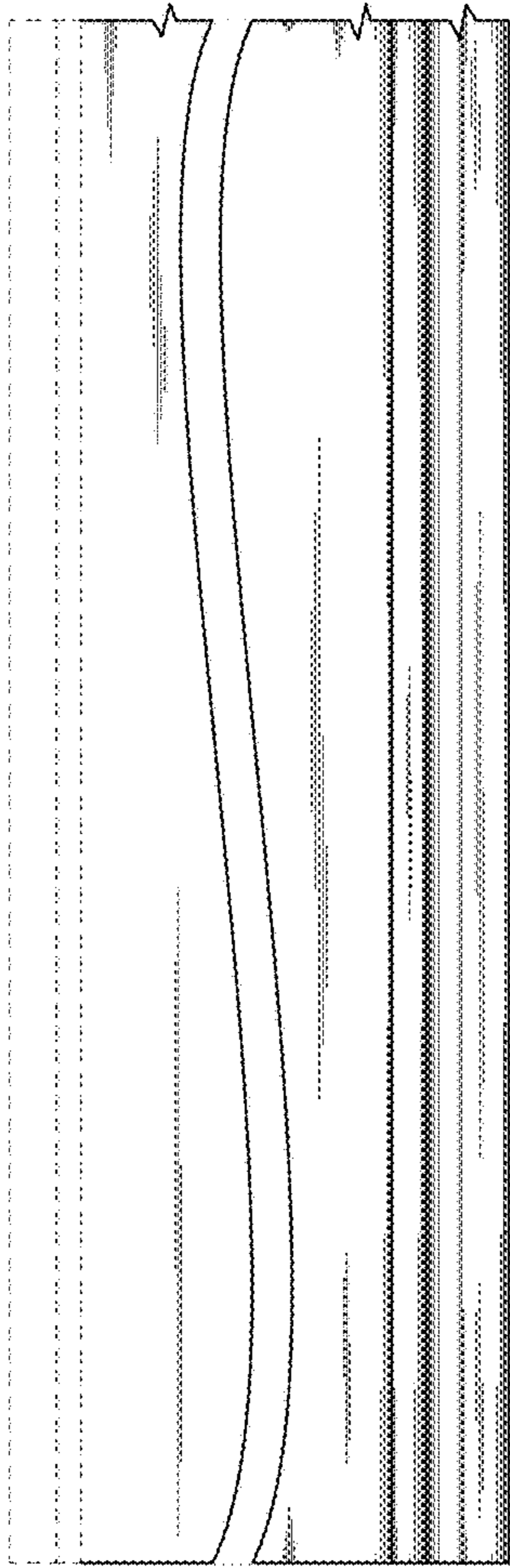


**FIG. 2**

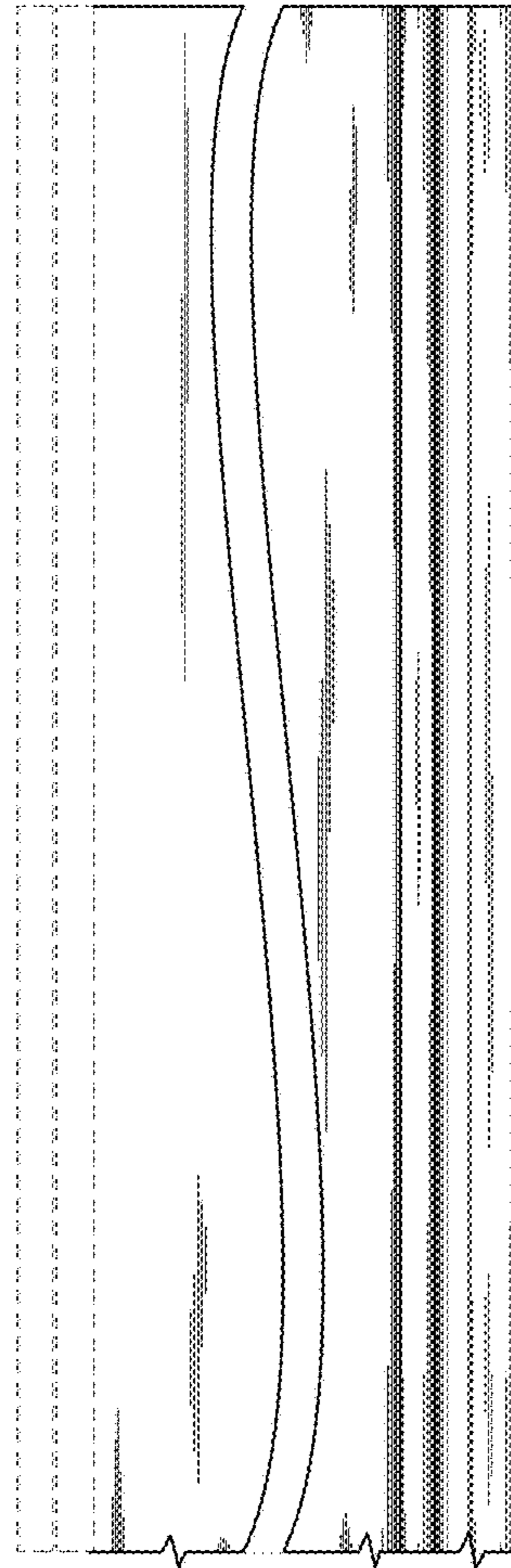


**FIG. 3**





**FIG. 4**



**FIG. 5**

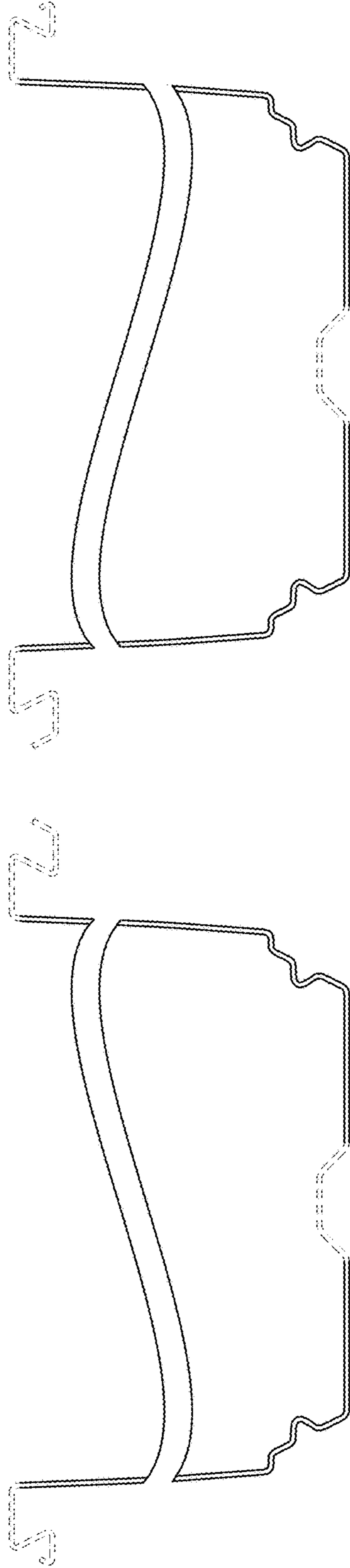


FIG. 7

FIG. 6

UNITED STATES PATENT AND TRADEMARK OFFICE  
**CERTIFICATE OF CORRECTION**

PATENT NO. : D817,519 S  
APPLICATION NO. : 29/595990  
DATED : May 8, 2018  
INVENTOR(S) : Thomas G. Ryan

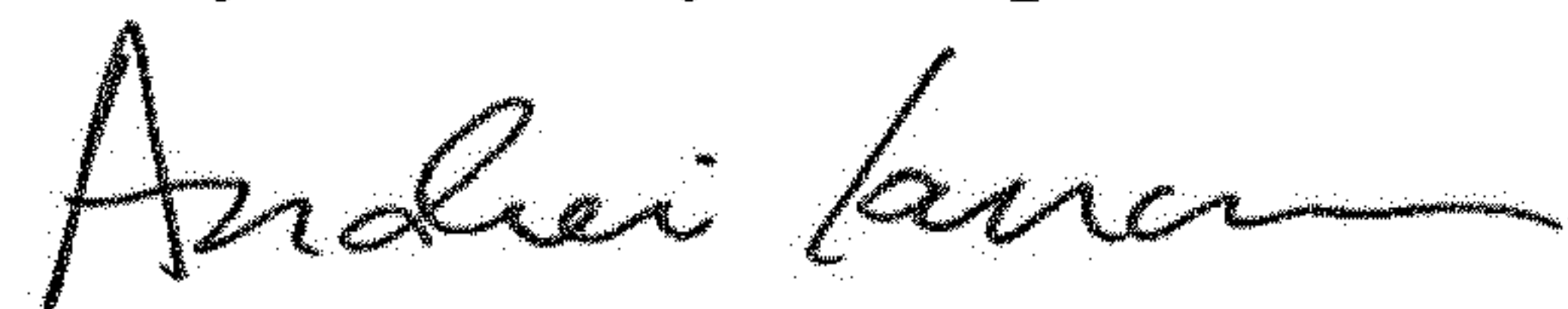
Page 1 of 1

It is certified that error appears in the above-identified patent and that said Letters Patent is hereby corrected as shown below:

On the Title Page

Item (62), Column 1, Line 4, Related U.S. Application Data, delete "425,541." and insert  
-- 742,541. --

Signed and Sealed this  
Twenty-fifth Day of September, 2018



Andrei Iancu  
*Director of the United States Patent and Trademark Office*