



US00D817516S

(12) **United States Design Patent** (10) **Patent No.:** **US D817,516 S**
Moreno et al. (45) **Date of Patent:** **** May 8, 2018**

(54) **END CAP FOR A LADDER**

DESCRIPTION

(71) Applicant: **LOUISVILLE LADDER INC.**,
Louisville, KY (US)
(72) Inventors: **Jeziel Ramos Moreno**, Nuevo León
C.P. (MX); **Cesar Reyna Martinez**,
Nuevo León C.P. (MX)
(73) Assignee: **Louisville Ladder Inc.**, Louisville, KY
(US)
(**) Term: **15 Years**
(21) Appl. No.: **29/599,634**
(22) Filed: **Apr. 5, 2017**
(51) **LOC (11) Cl.** **25-04**
(52) **U.S. Cl.**
USPC **D25/68**
(58) **Field of Classification Search**
USPC D25/62-65, 68, 69; 182/165, 180.1, 21,
182/194, 225, 210, 129, 18, 161, 159,
182/204, 108, 200

(Continued)

(56) **References Cited**

U.S. PATENT DOCUMENTS

3,005,513 A * 10/1961 Larson E06C 1/20
182/108
4,502,564 A * 3/1985 Kummerlin et al. E06C 1/16
182/161

(Continued)

Primary Examiner — Cynthia Ramirez
Assistant Examiner — Gino Colan
(74) *Attorney, Agent, or Firm* — Orrick, Herrington &
Sutcliffe, LLP

(57) **CLAIM**

The ornamental design for an end cap for a ladder, as shown
and described.

FIG. 1 is a perspective view illustrating a first embodiment
of our new and ornamental design for an end cap for a
ladder;
FIG. 2 is a left-side view illustrating the new and ornamental
design for the end cap for a ladder of FIG. 1;
FIG. 3 is a right-side view illustrating the new and orna-
mental design for the end cap for a ladder of FIG. 1;
FIG. 4 is a front view illustrating the new and ornamental
design for the end cap for a ladder of FIG. 1;
FIG. 5 is a back view illustrating the new and ornamental
design for the end cap for a ladder of FIG. 1;
FIG. 6 is a top view illustrating the new and ornamental
design for the end cap for a ladder of FIG. 1;
FIG. 7 is a bottom view illustrating the new and ornamental
design for the end cap for a ladder of FIG. 1;
FIG. 8 is a perspective view illustrating a second embodi-
ment of the new and ornamental design for the end cap for
a ladder;
FIG. 9 is a top view illustrating the new and ornamental
design for the end cap for a ladder of FIG. 8;
FIG. 10 is a back view illustrating the new and ornamental
design for the end cap for a ladder of FIG. 8;
FIG. 11 is a left-side view illustrating the new and orna-
mental design for the end cap for a ladder of FIG. 8;
FIG. 12 is a front view illustrating the new and ornamental
design for the end cap for a ladder of FIG. 8;
FIG. 13 is a bottom view illustrating the new and ornamental
design for the end cap for a ladder of FIG. 8;
FIG. 14 is a right-side view illustrating the new and orna-
mental design for the end cap for a ladder of FIG. 8;
FIG. 15 is a perspective view illustrating a third embodi-
ment of the new and ornamental design for the end cap for a
ladder;
FIG. 16 is a top view illustrating the new and ornamental
design for the end cap for a ladder of FIG. 15;
FIG. 17 is a back view illustrating the new and ornamental
design for the end cap for a ladder of FIG. 15;
FIG. 18 is a left-side view illustrating the new and orna-
mental design for the end cap for a ladder of FIG. 15;
FIG. 19 is a front view illustrating the new and ornamental
design for the end cap for a ladder of FIG. 15;

(Continued)

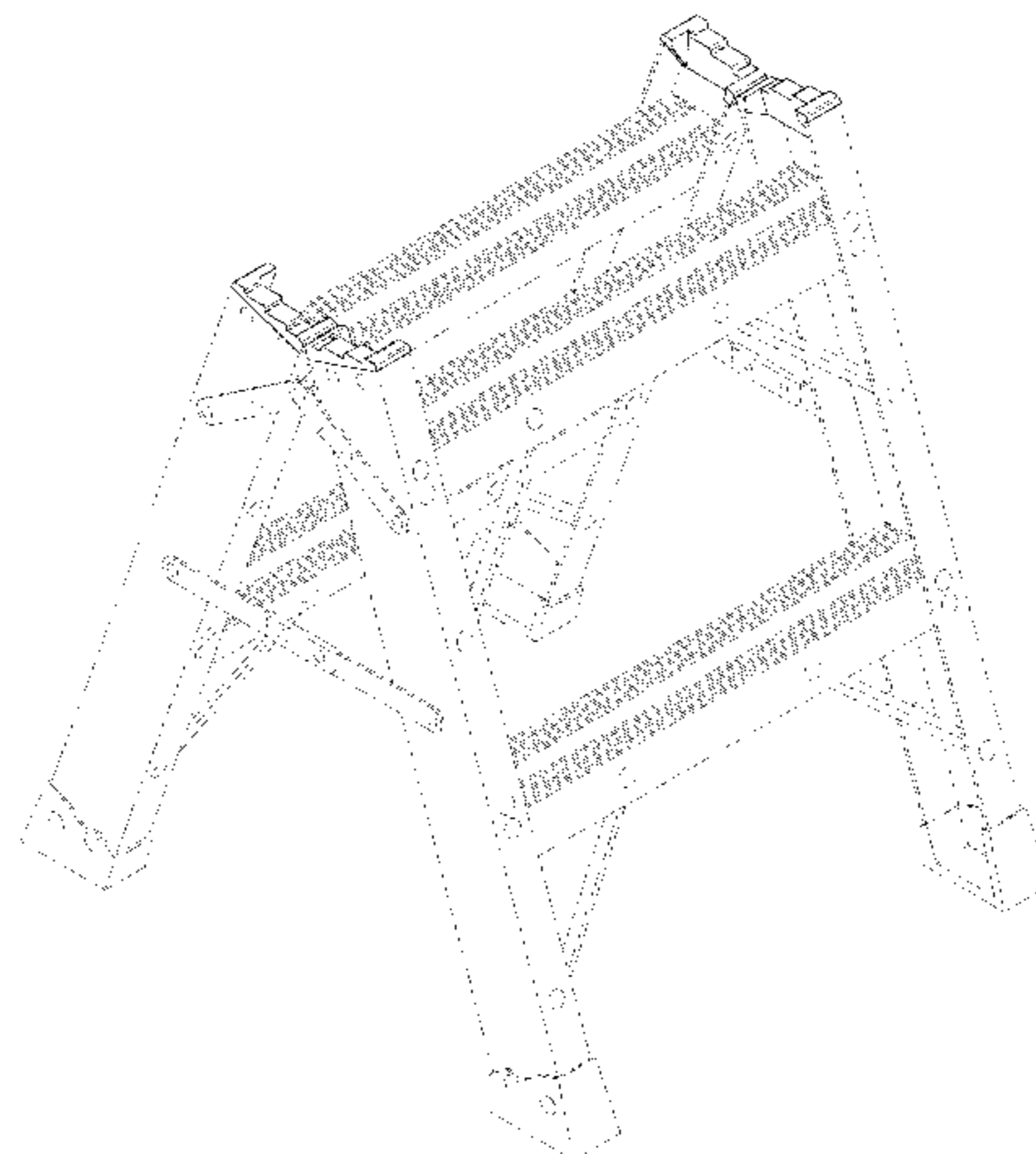


FIG. 20 is a bottom view illustrating the new and ornamental design for the end cap for a ladder of FIG. 15; and, FIG. 21 is a right-side view illustrating the new and ornamental design for the end cap for a ladder of FIG. 15. The broken lines shown in the figures are for the purpose of illustrating environment and form no part of the claimed design.

1 Claim, 21 Drawing Sheets

(58) Field of Classification Search

CPC E06C 1/39; E06C 1/16; E06C 1/20
See application file for complete search history.

(56) References Cited

U.S. PATENT DOCUMENTS

D310,884 S 9/1990 Patton et al.
D340,773 S 10/1993 Bartnicki et al.

5,358,070 A	10/1994	Bartnicki et al.	
5,573,081 A	11/1996	Bartnicki et al.	
D413,990 S	9/1999	Bartnicki et al.	
5,971,102 A *	10/1999	Brown	E06C 7/003 182/129
D422,717 S	4/2000	Bartnicki et al.	
6,779,632 B1 *	8/2004	Parks, III	E06C 1/39 182/200
D531,322 S	10/2006	Patton et al.	
8,210,313 B2	7/2012	Astor	
8,272,478 B2	9/2012	Astor et al.	
D764,073 S *	8/2016	Wang	D25/65
D766,462 S *	9/2016	Moss	D25/64
9,435,155 B2	9/2016	Tiber et al.	
D777,350 S *	1/2017	Moss	D25/64
2002/0189900 A1 *	12/2002	Bremick	E06C 7/42 182/108
2003/0057019 A1 *	3/2003	Schmitt	E06C 1/39 182/18
2014/0008499 A1	1/2014	Astor	
2014/0332316 A1 *	11/2014	Tiber	B26D 7/01 182/129

* cited by examiner

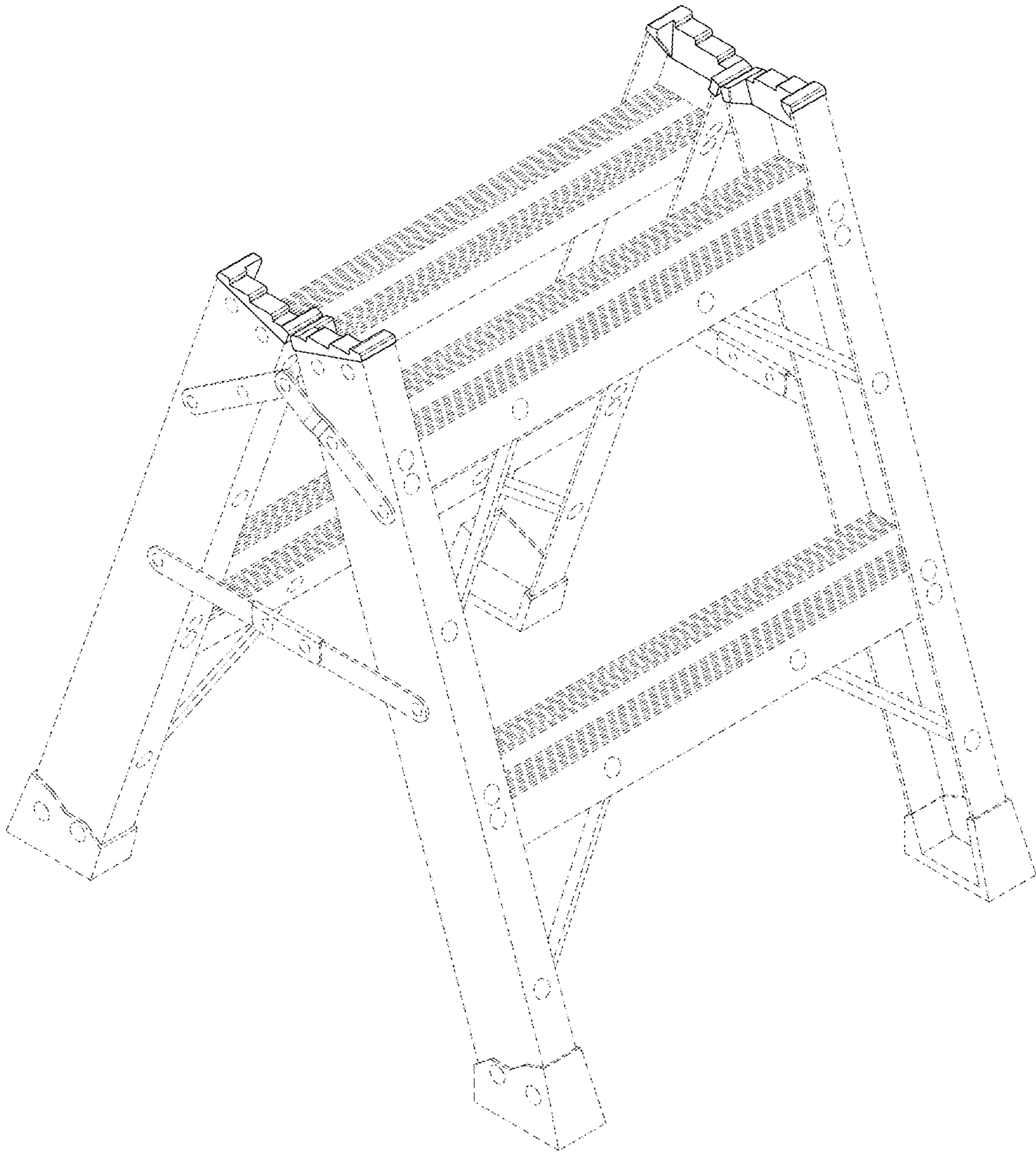


FIG. 1

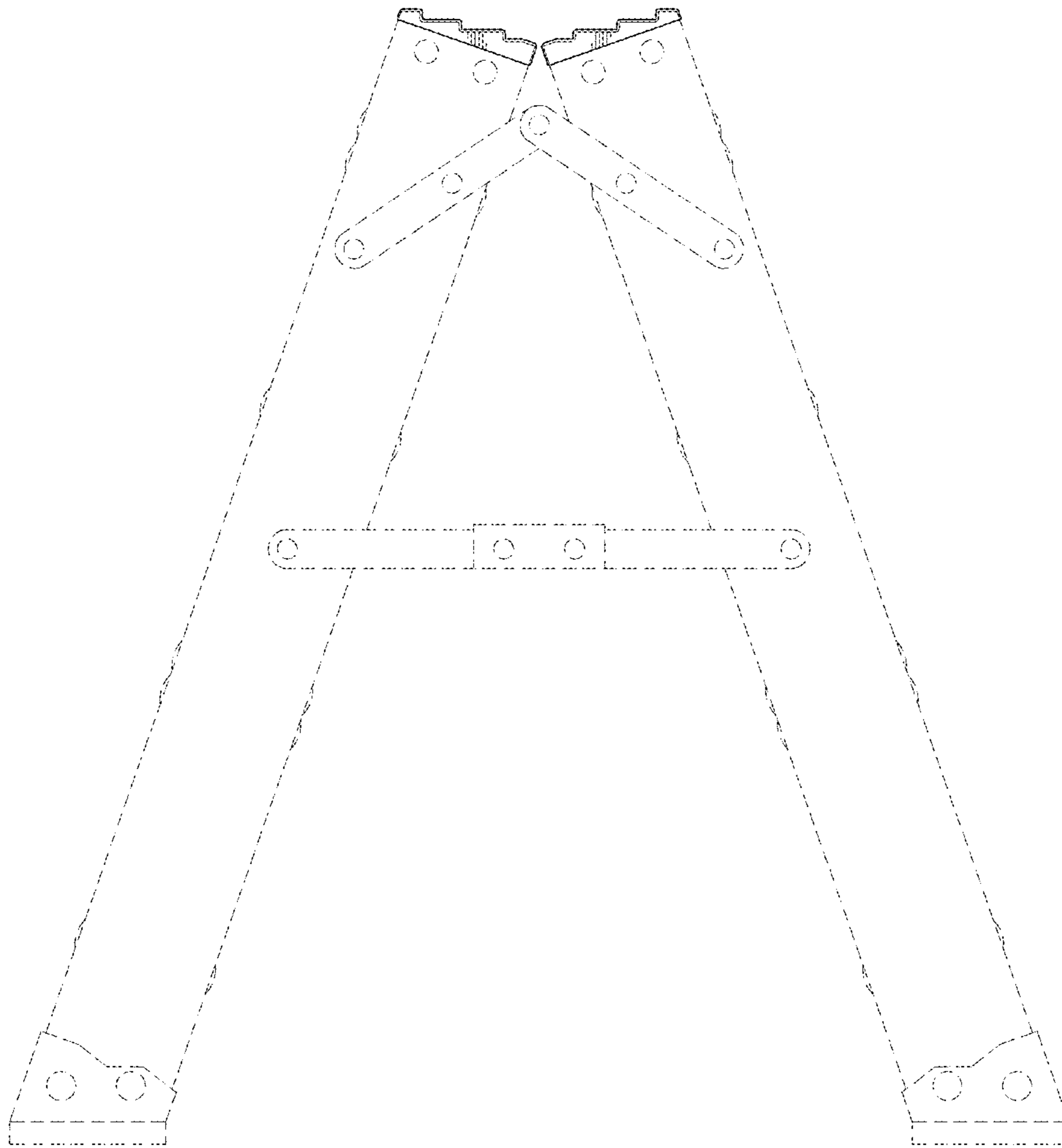


FIG. 2

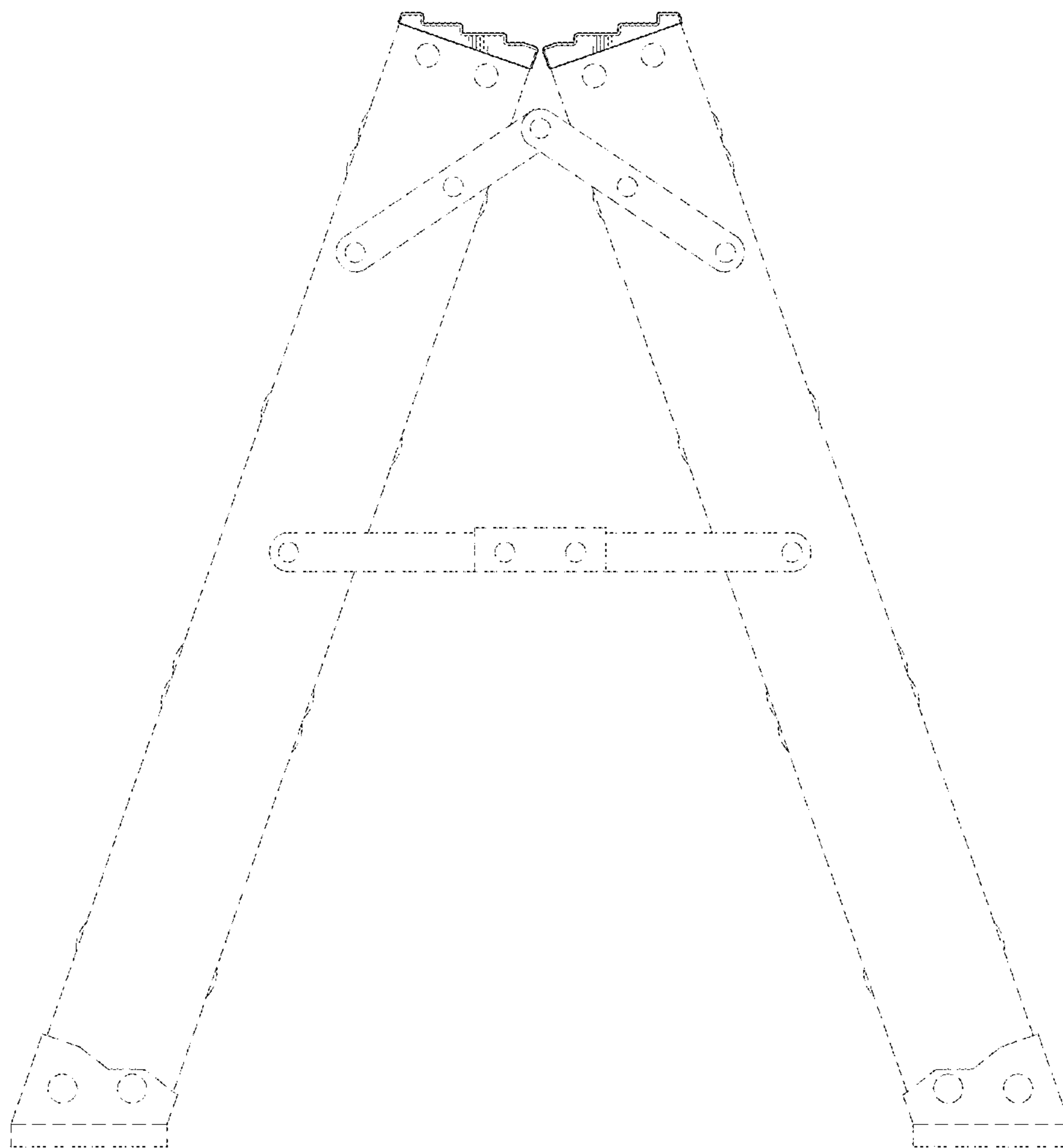


FIG. 3

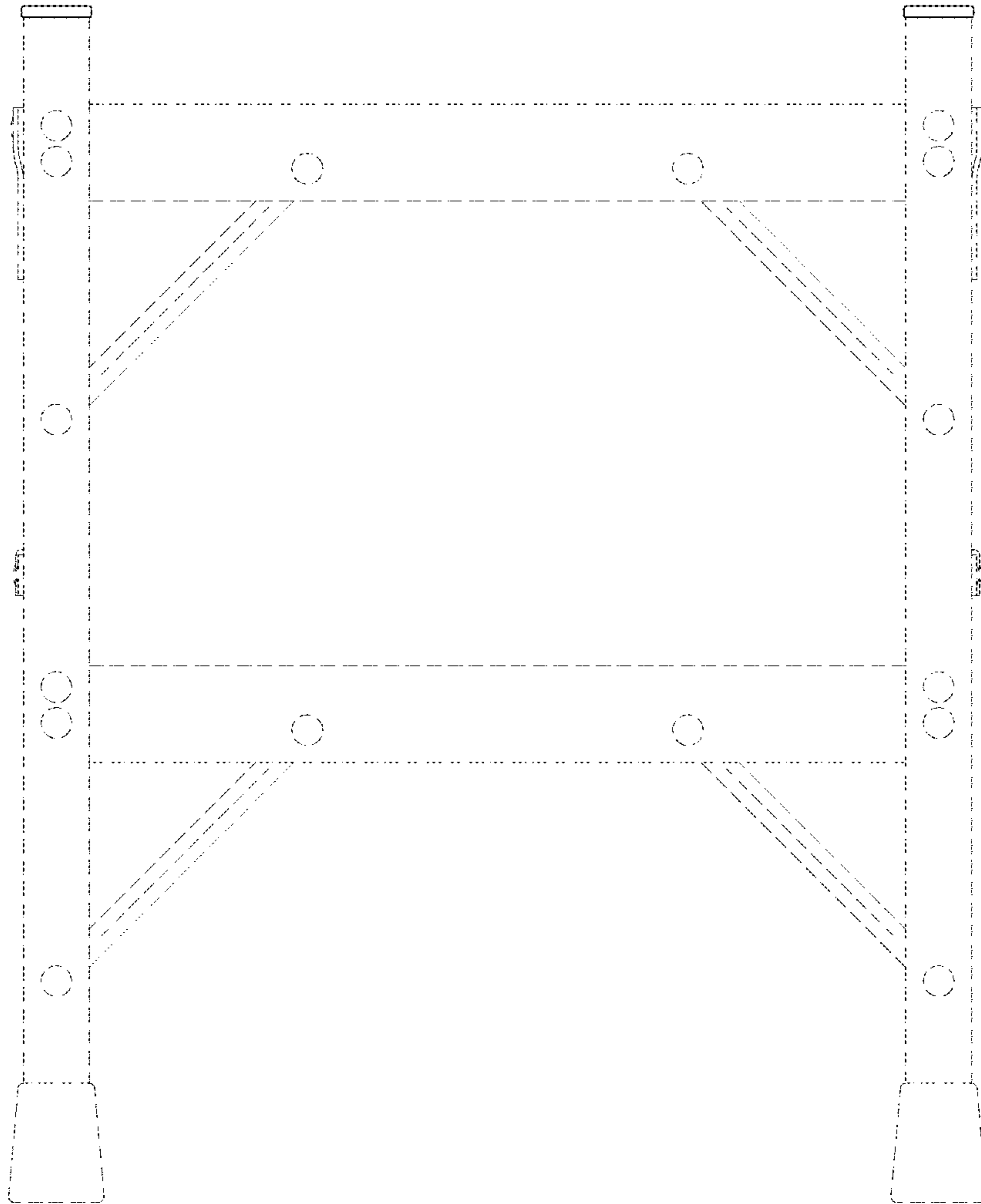


FIG. 4

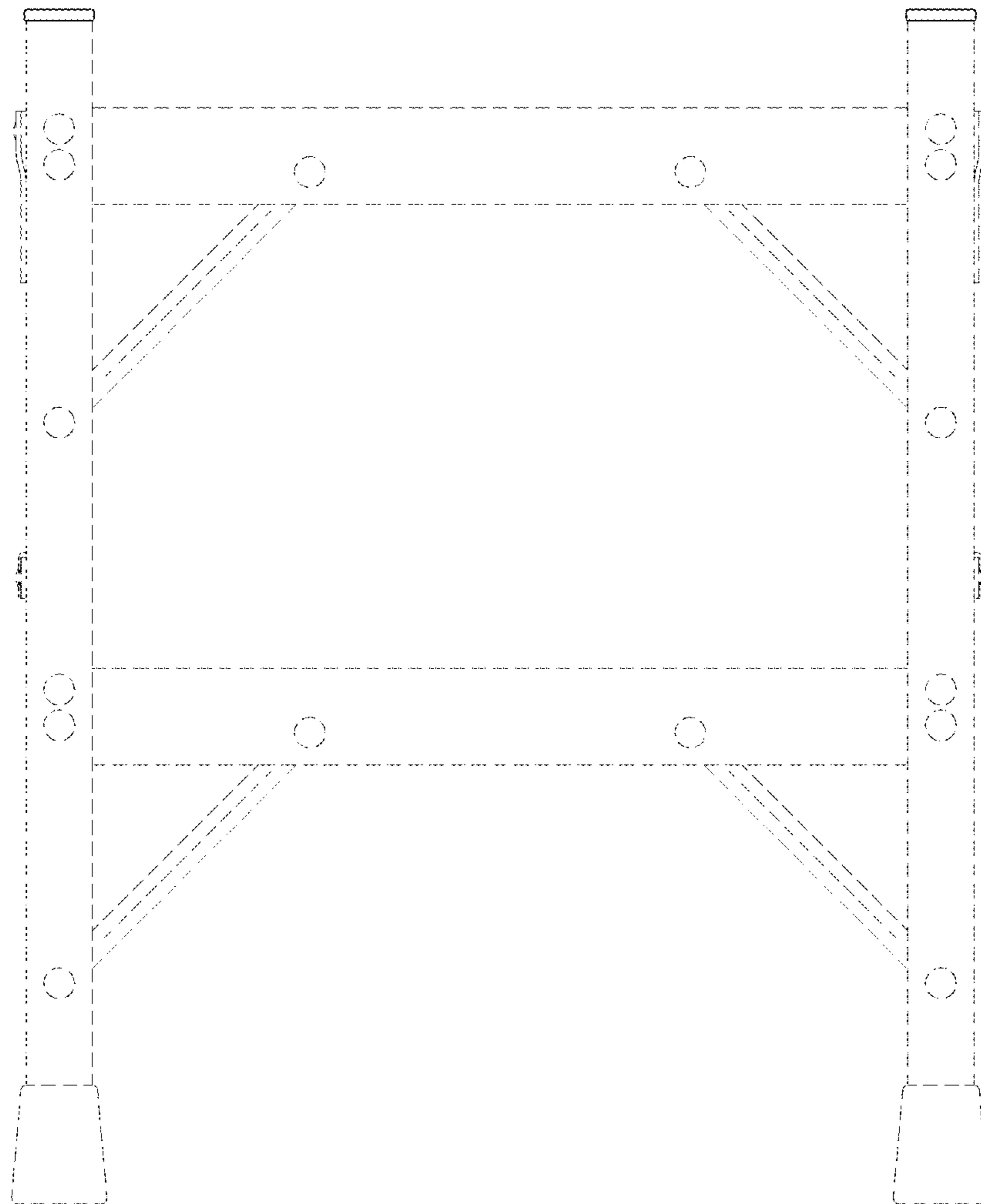


FIG. 5

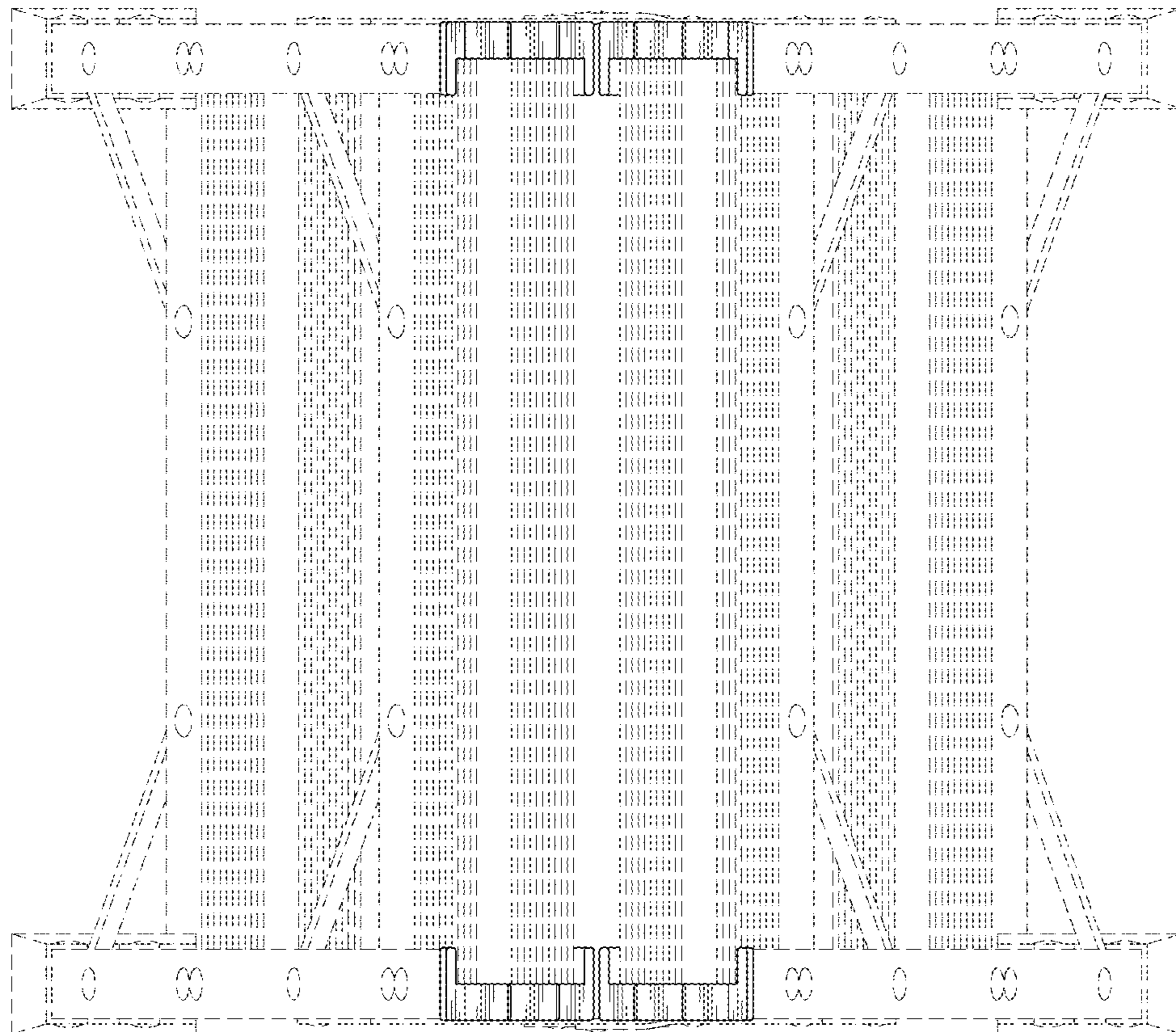


FIG. 6

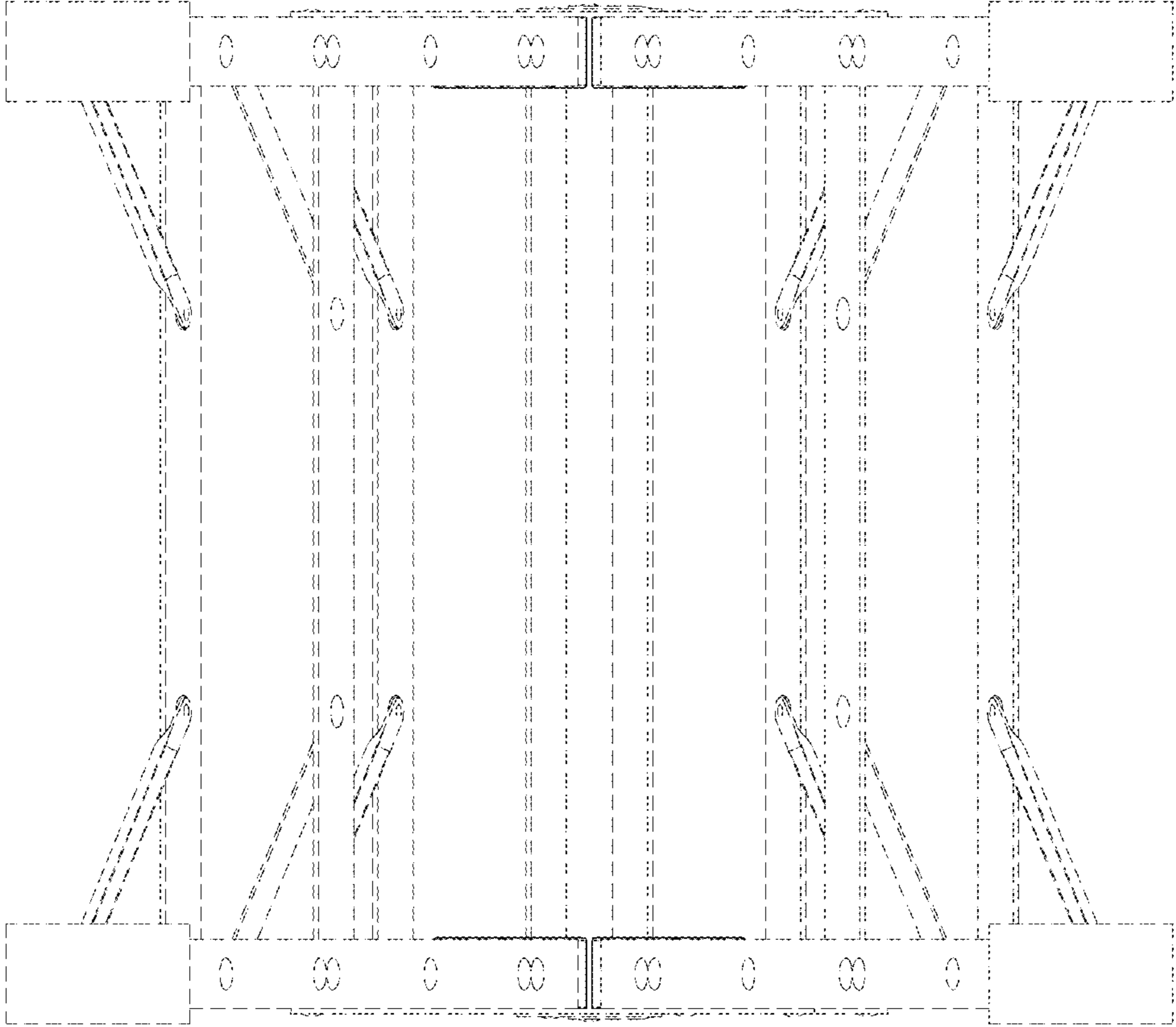


FIG. 7

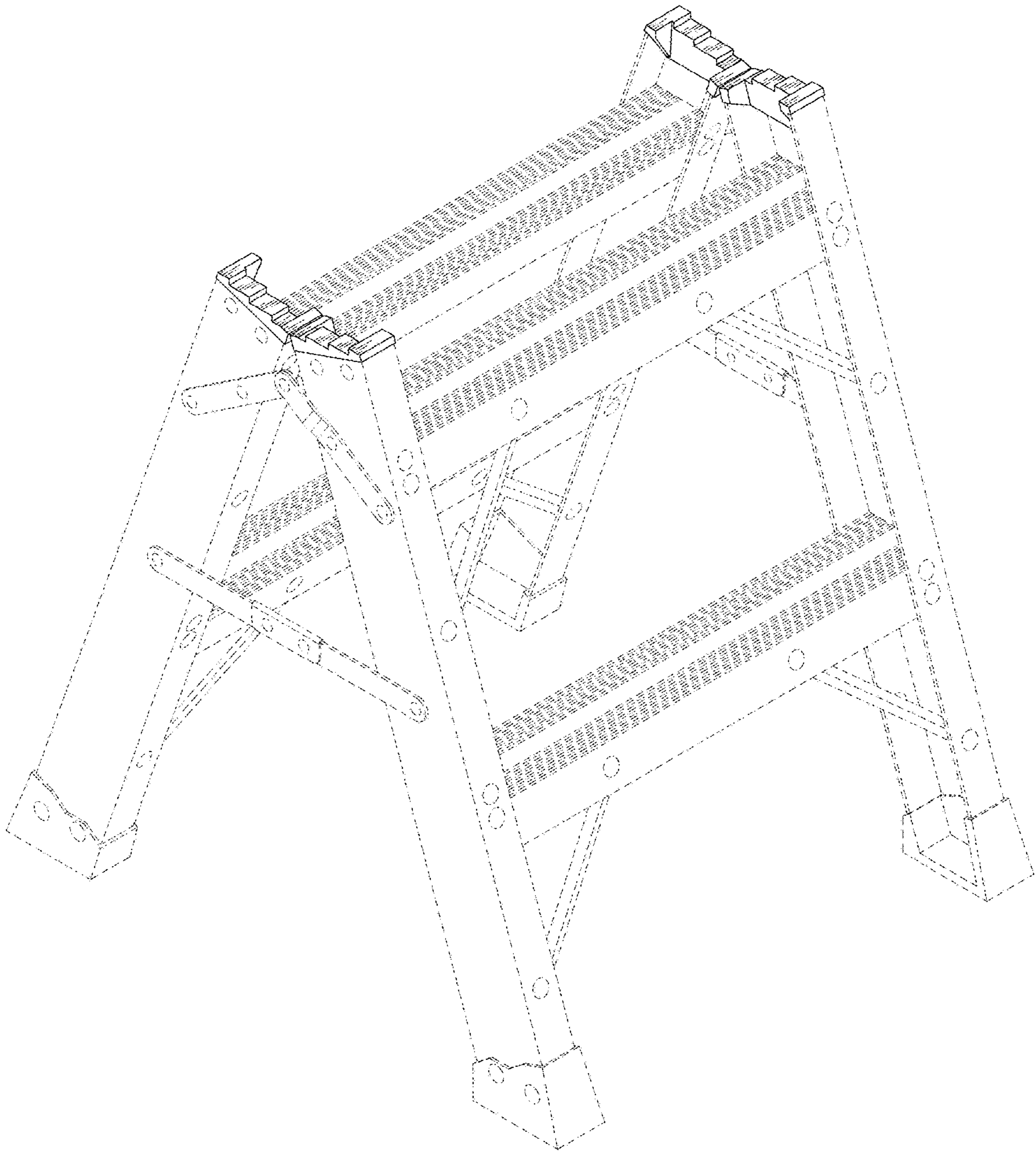


FIG. 8

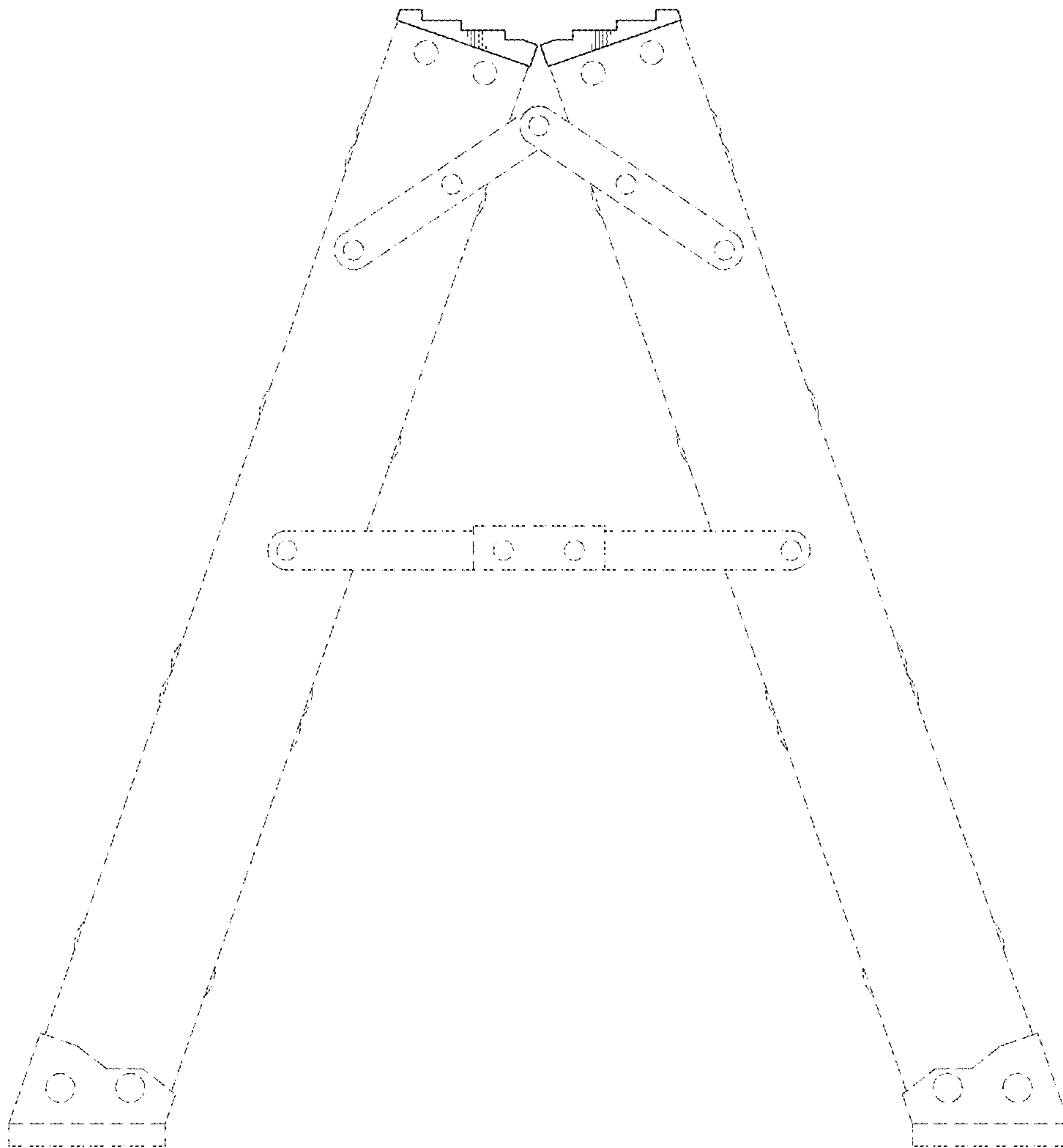


FIG. 9

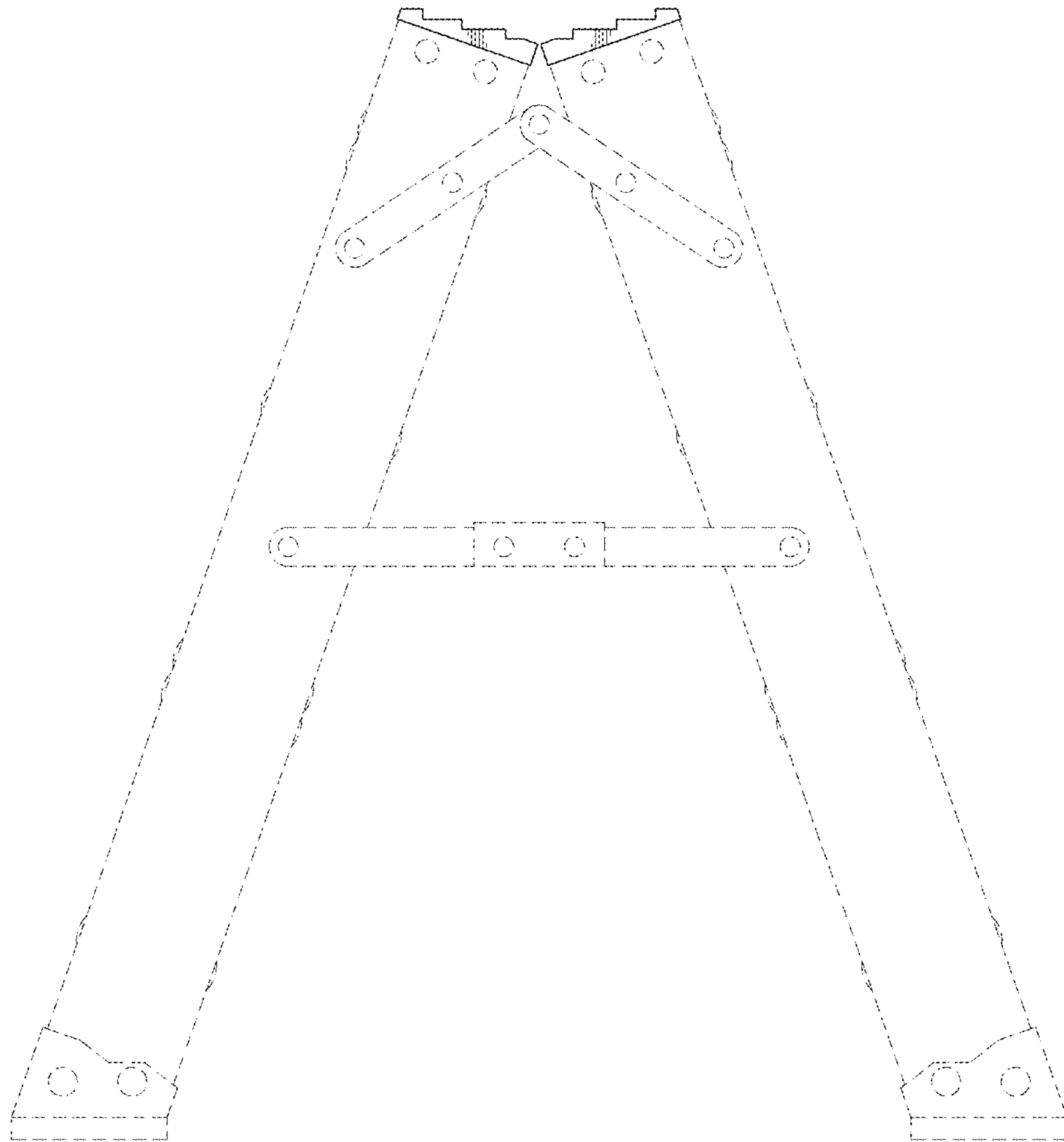


FIG. 10

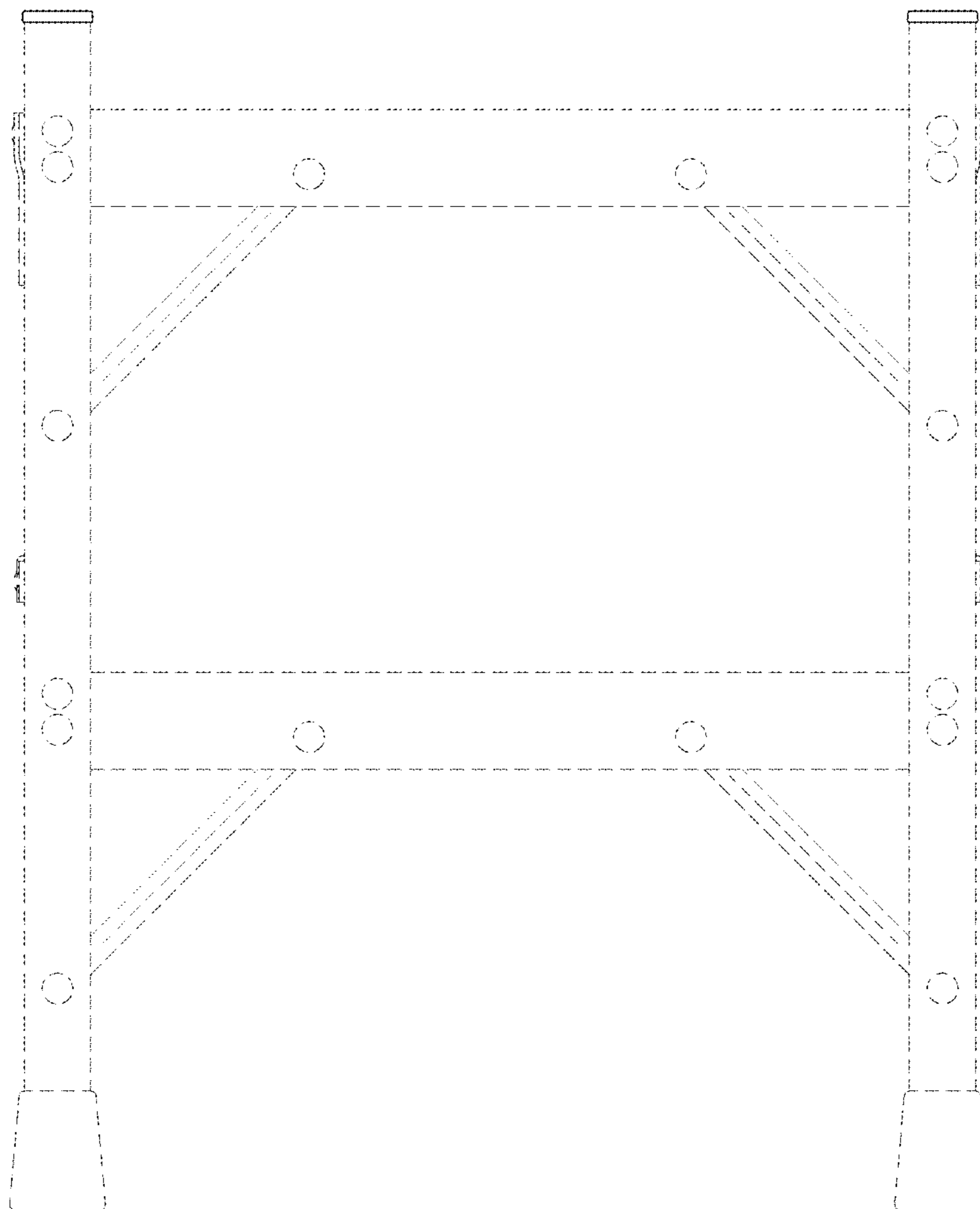


FIG. 11

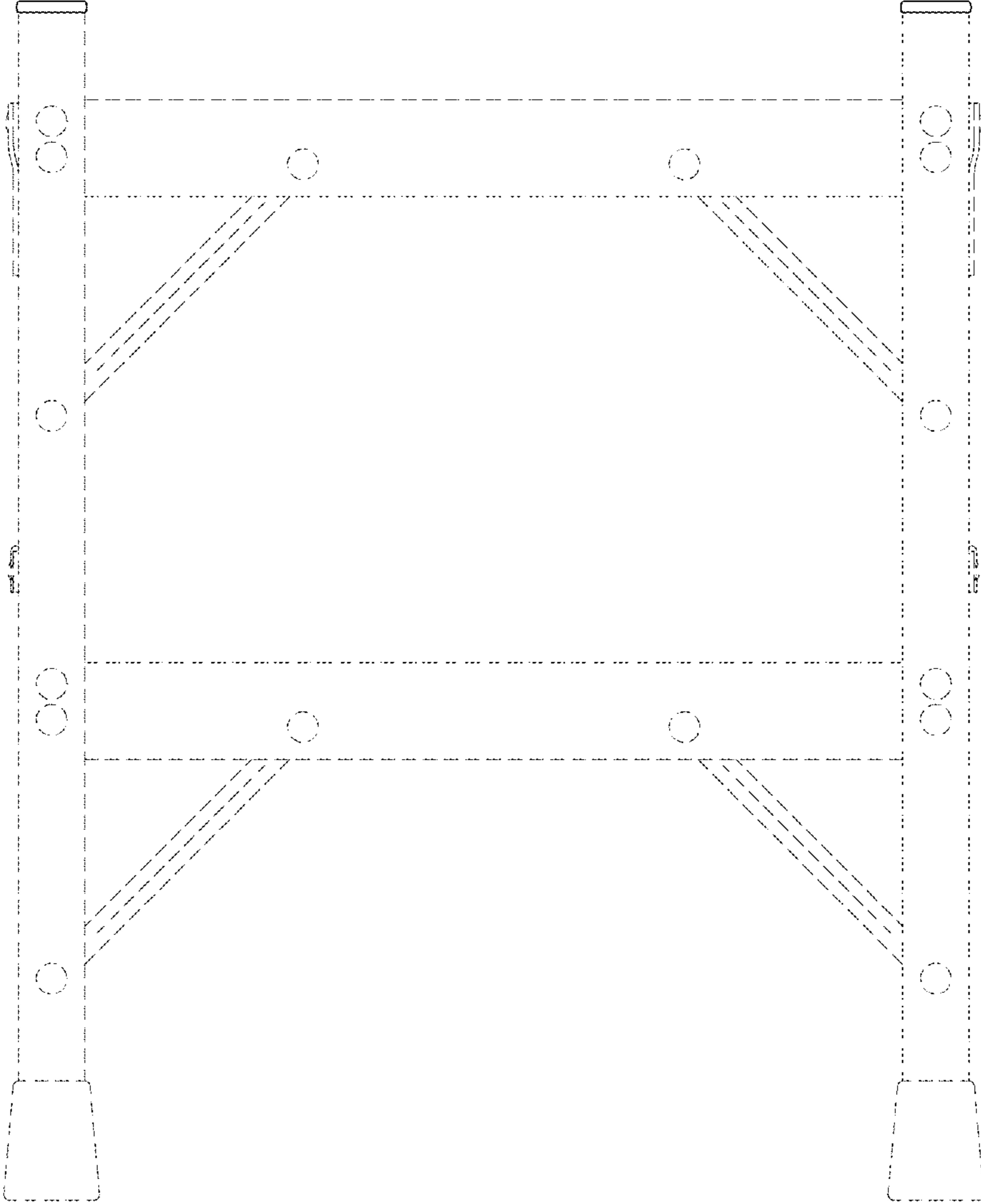


FIG. 12

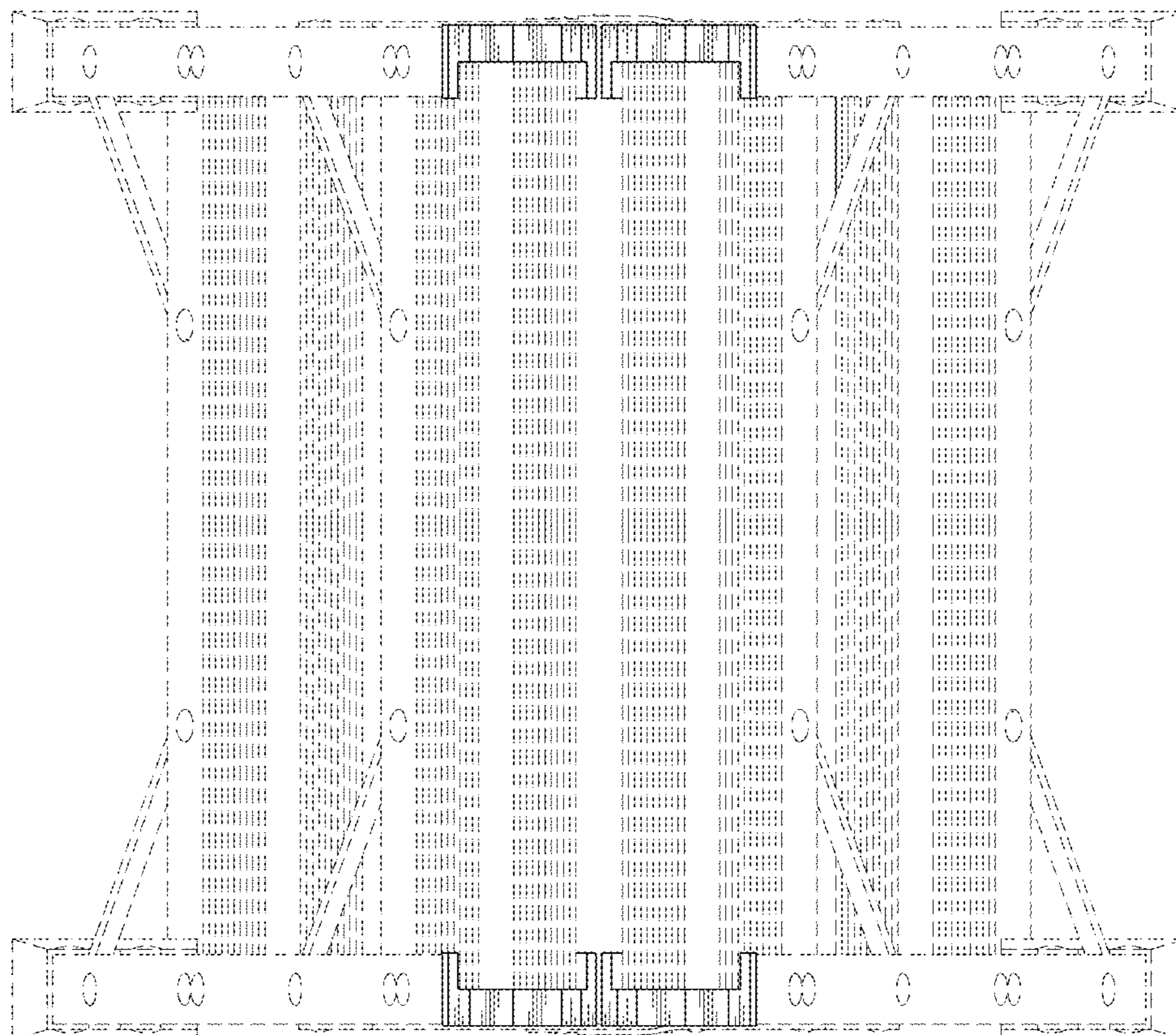


FIG. 13

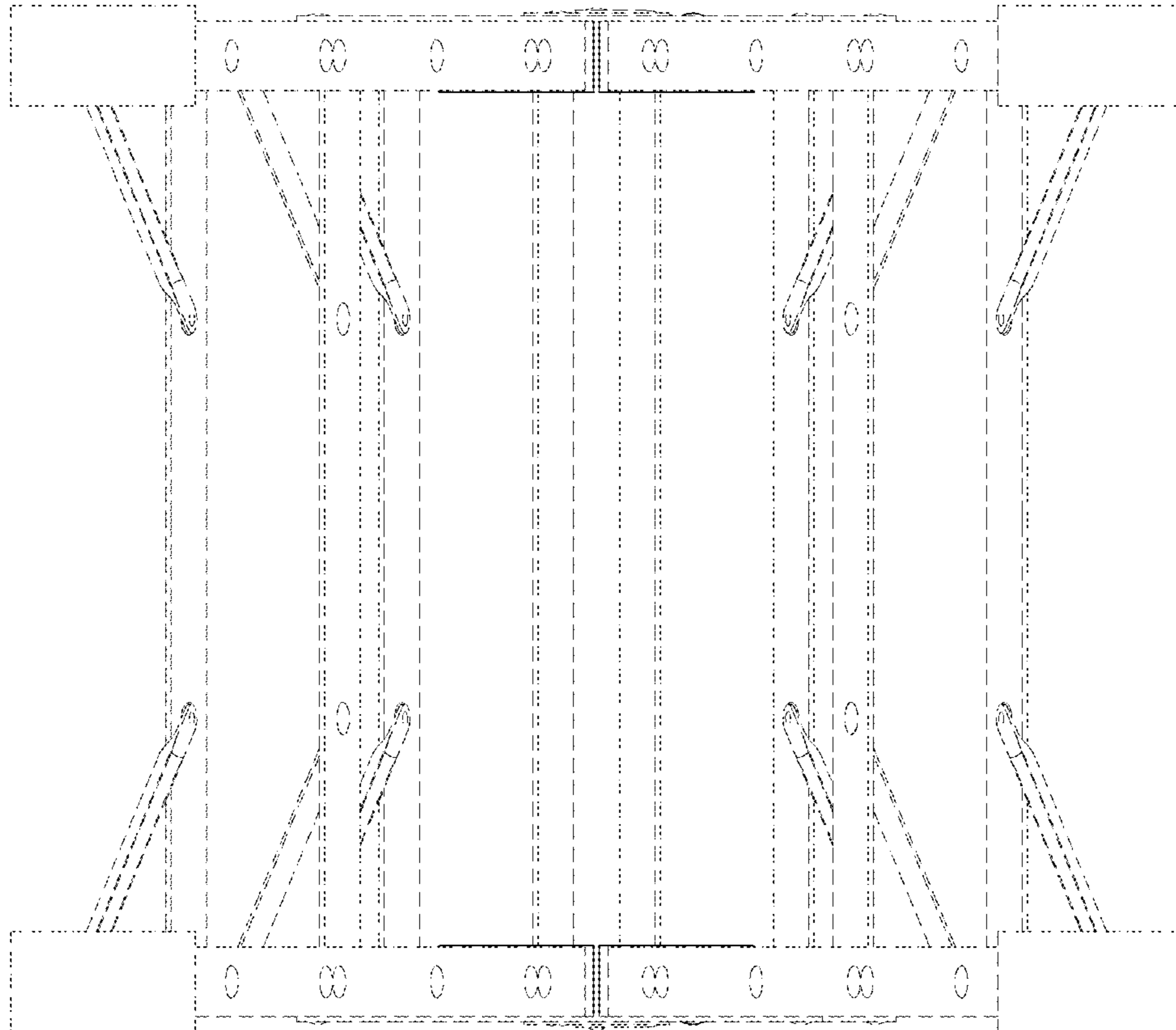


FIG. 14

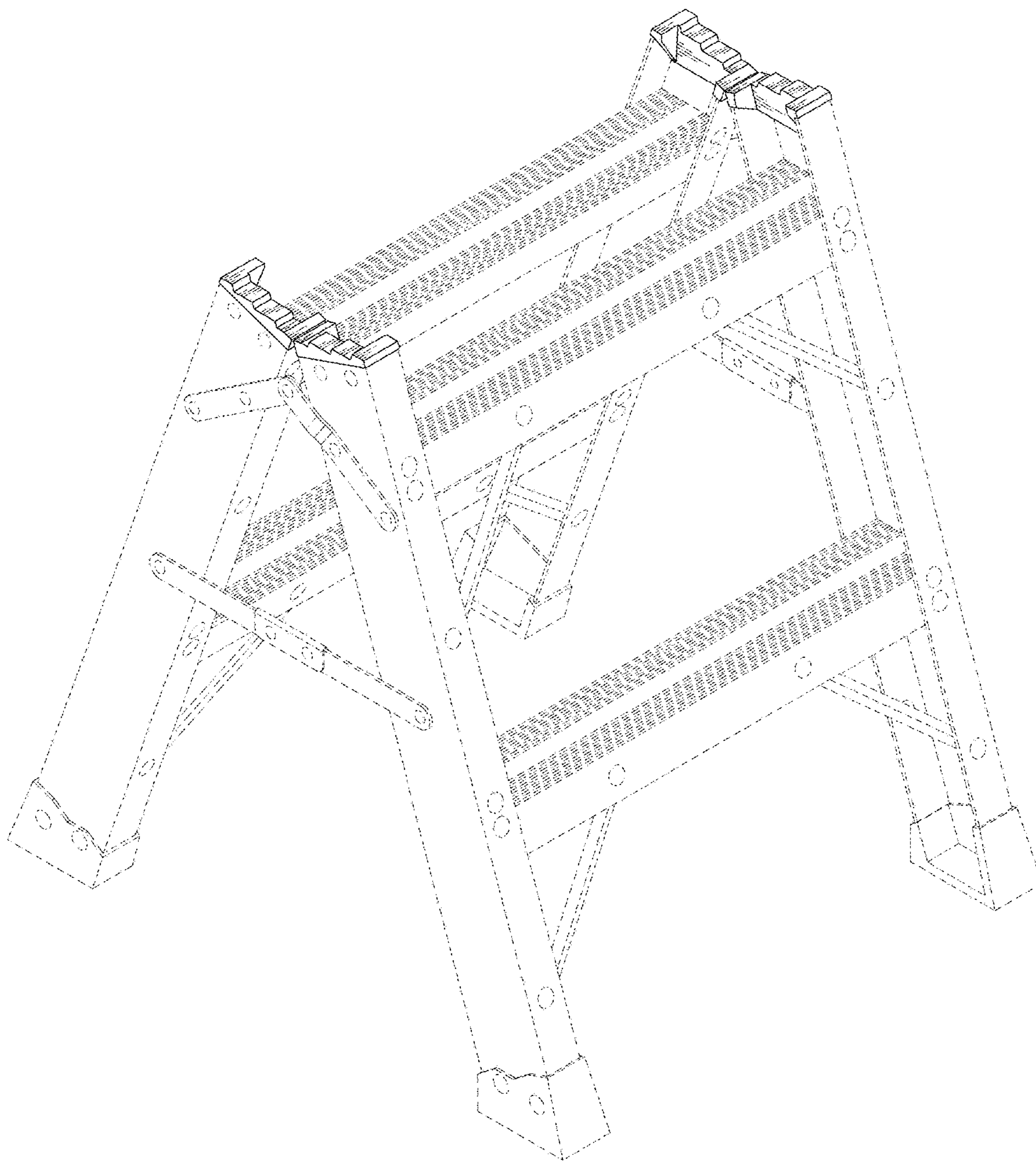


FIG. 15

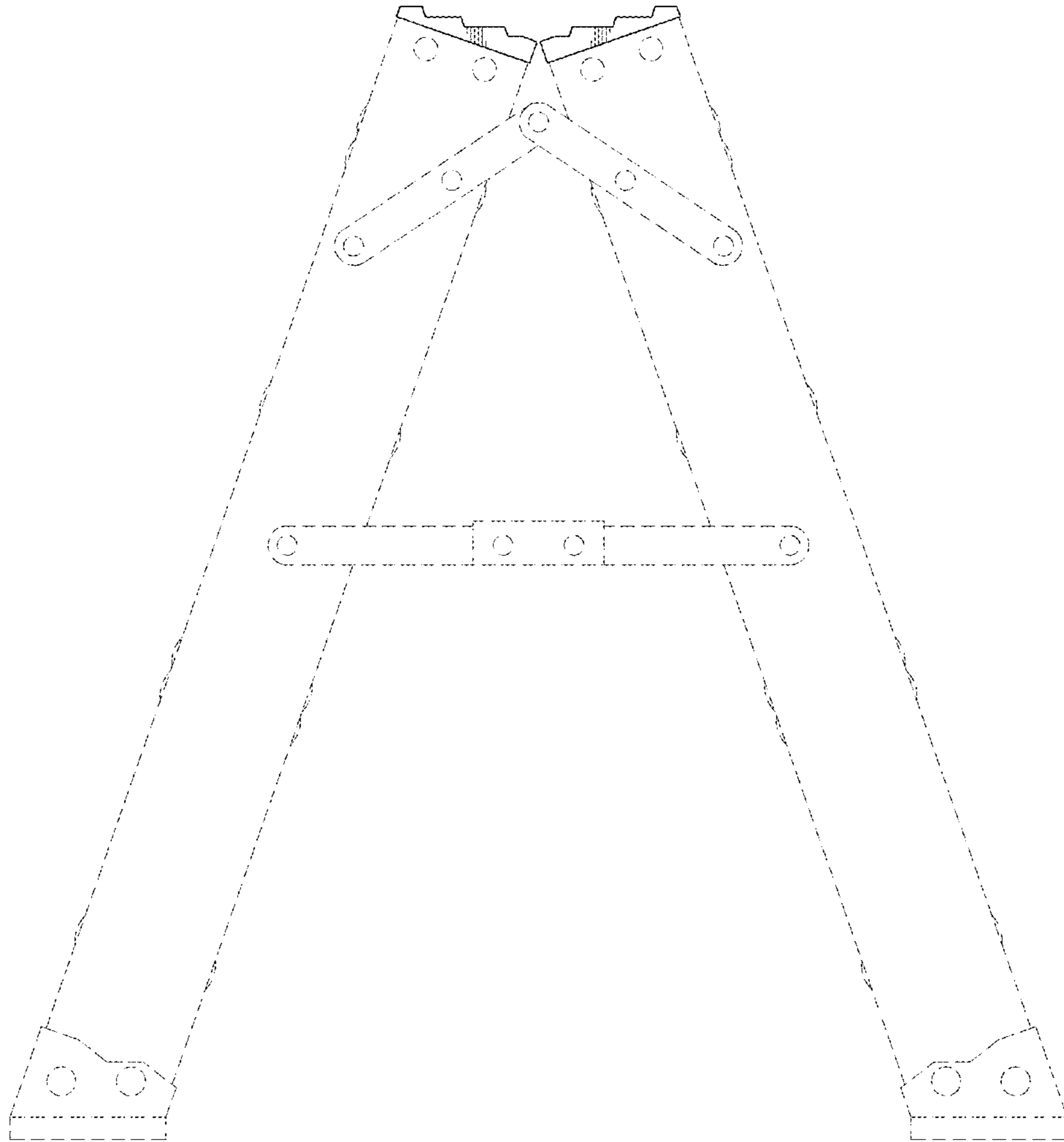


FIG. 16

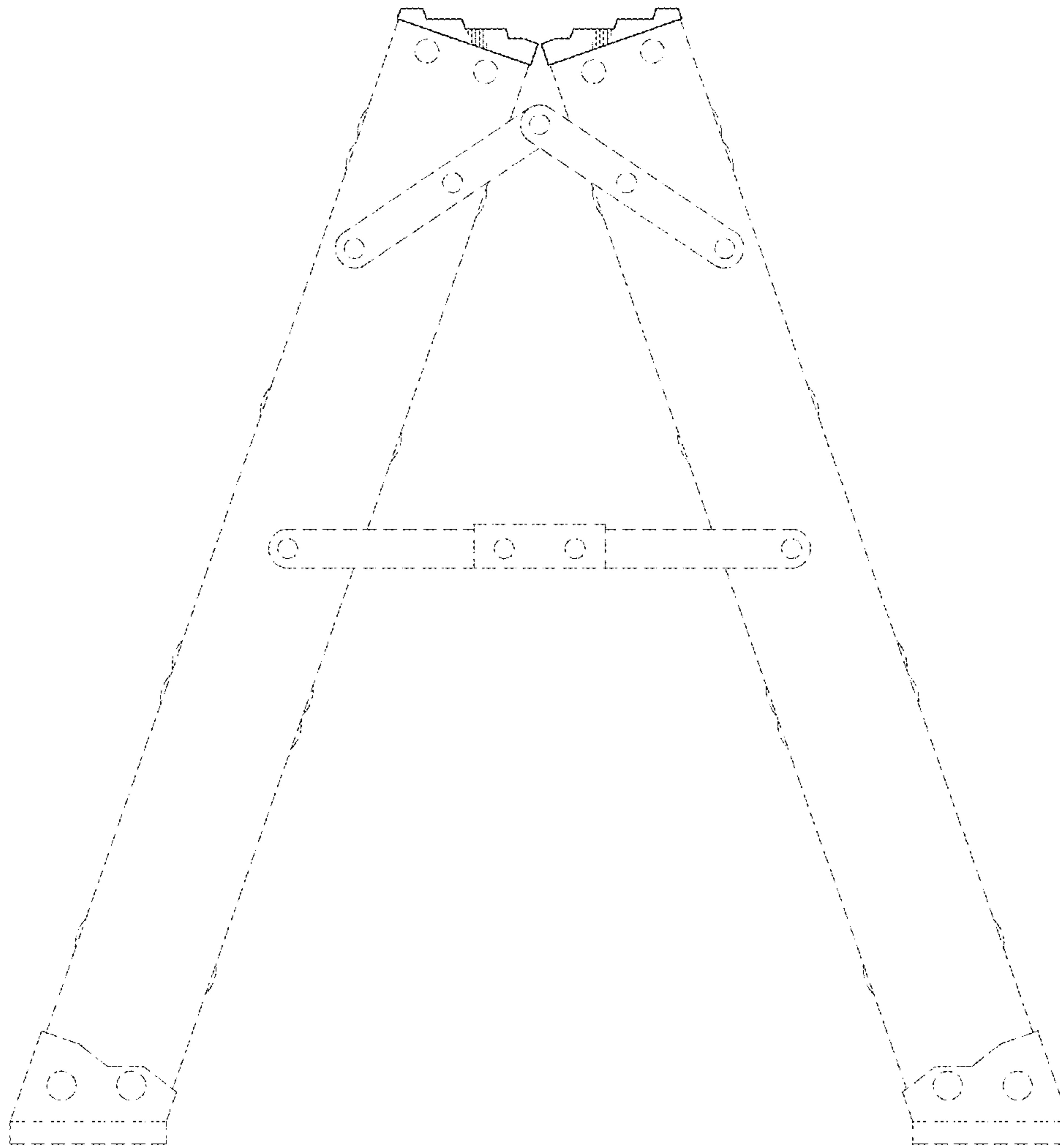


FIG. 17

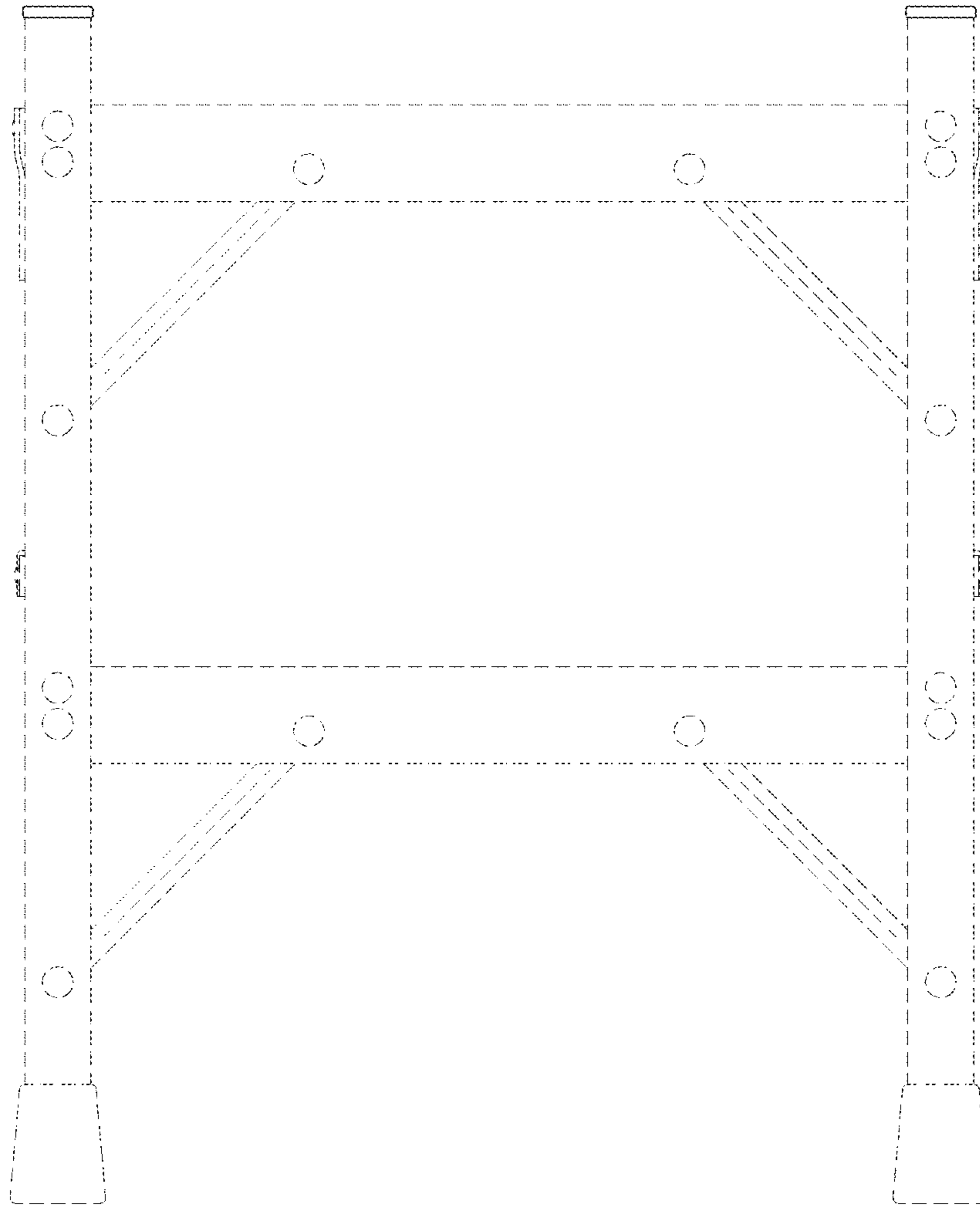


FIG. 18

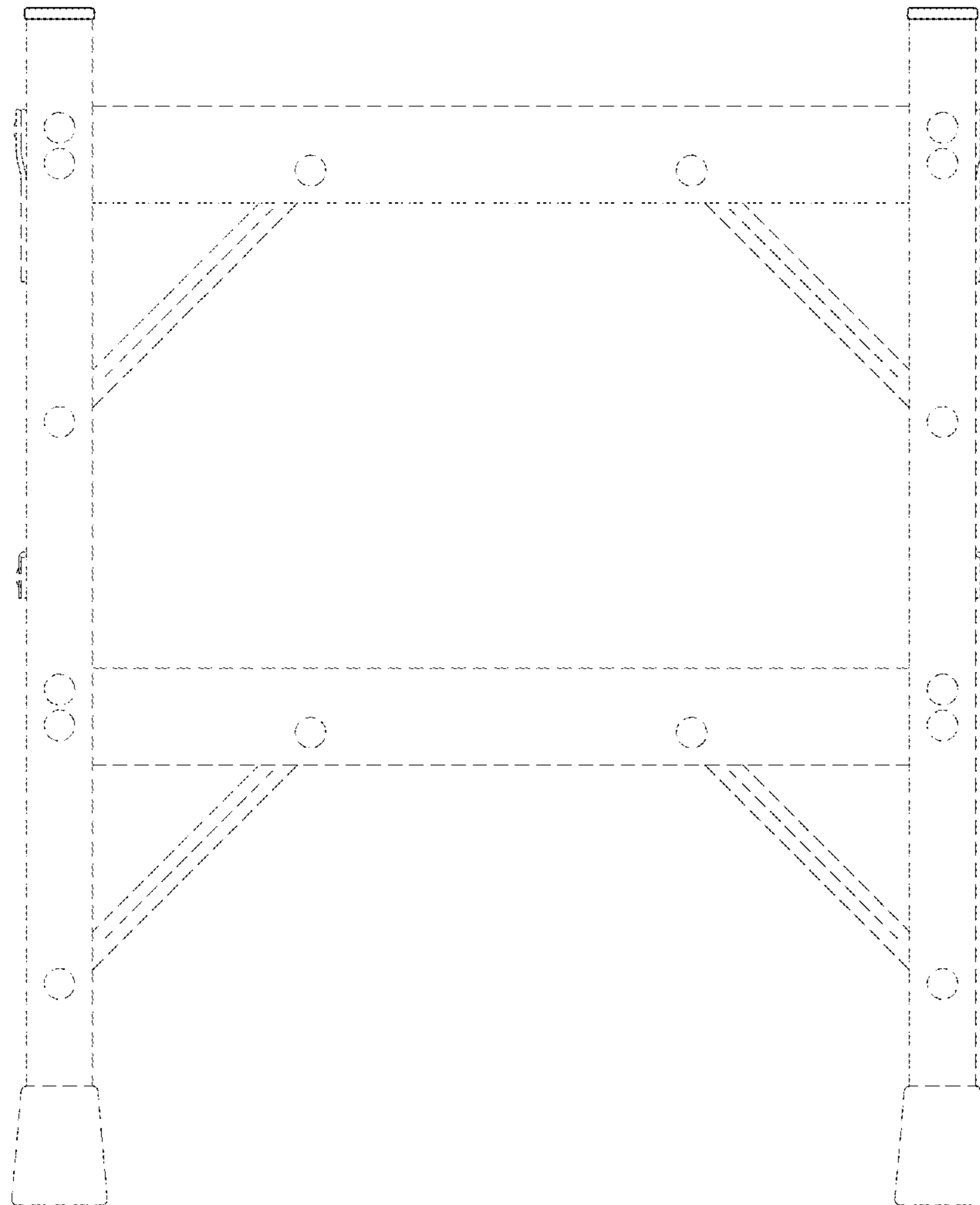


FIG. 19

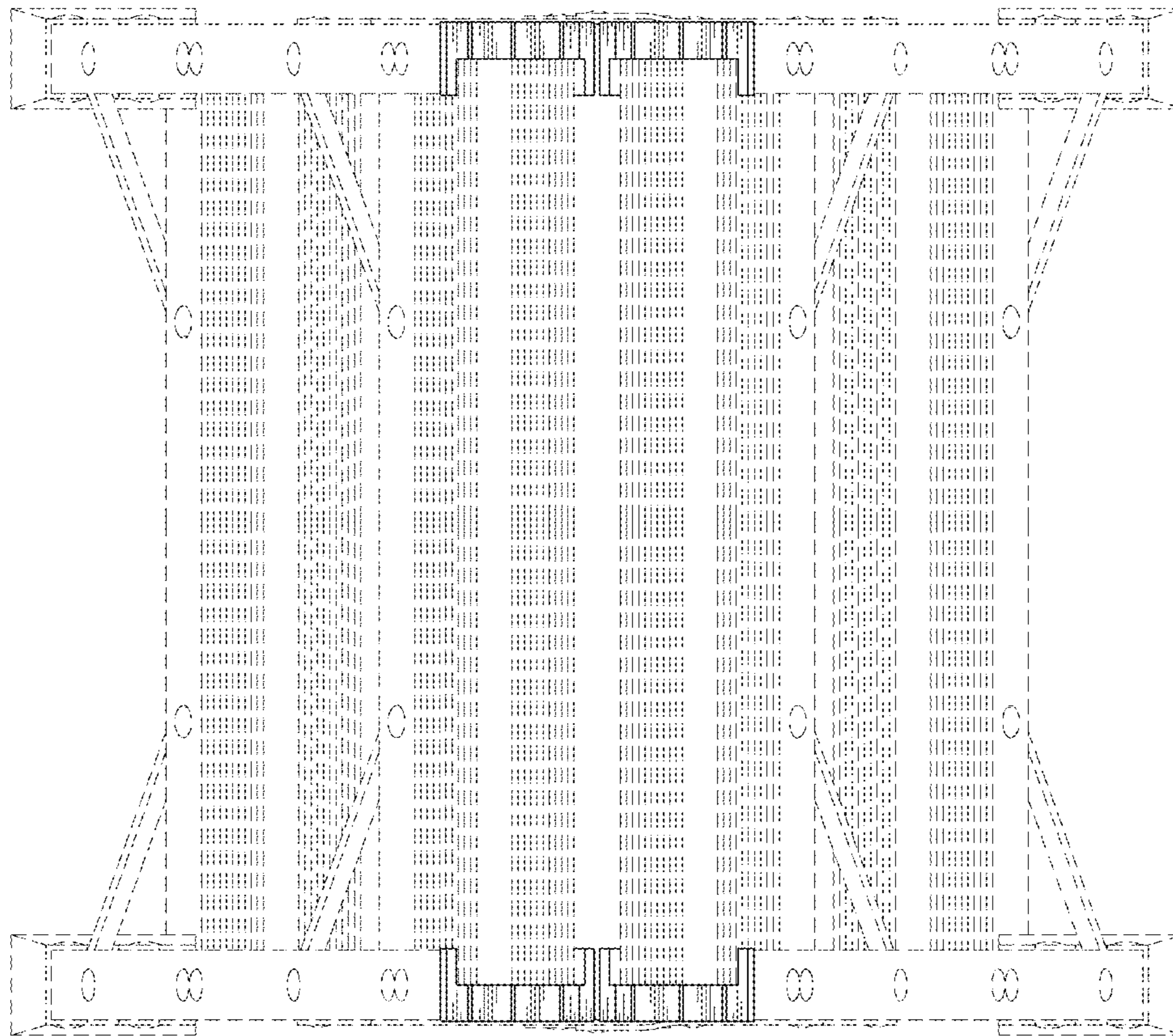


FIG. 20

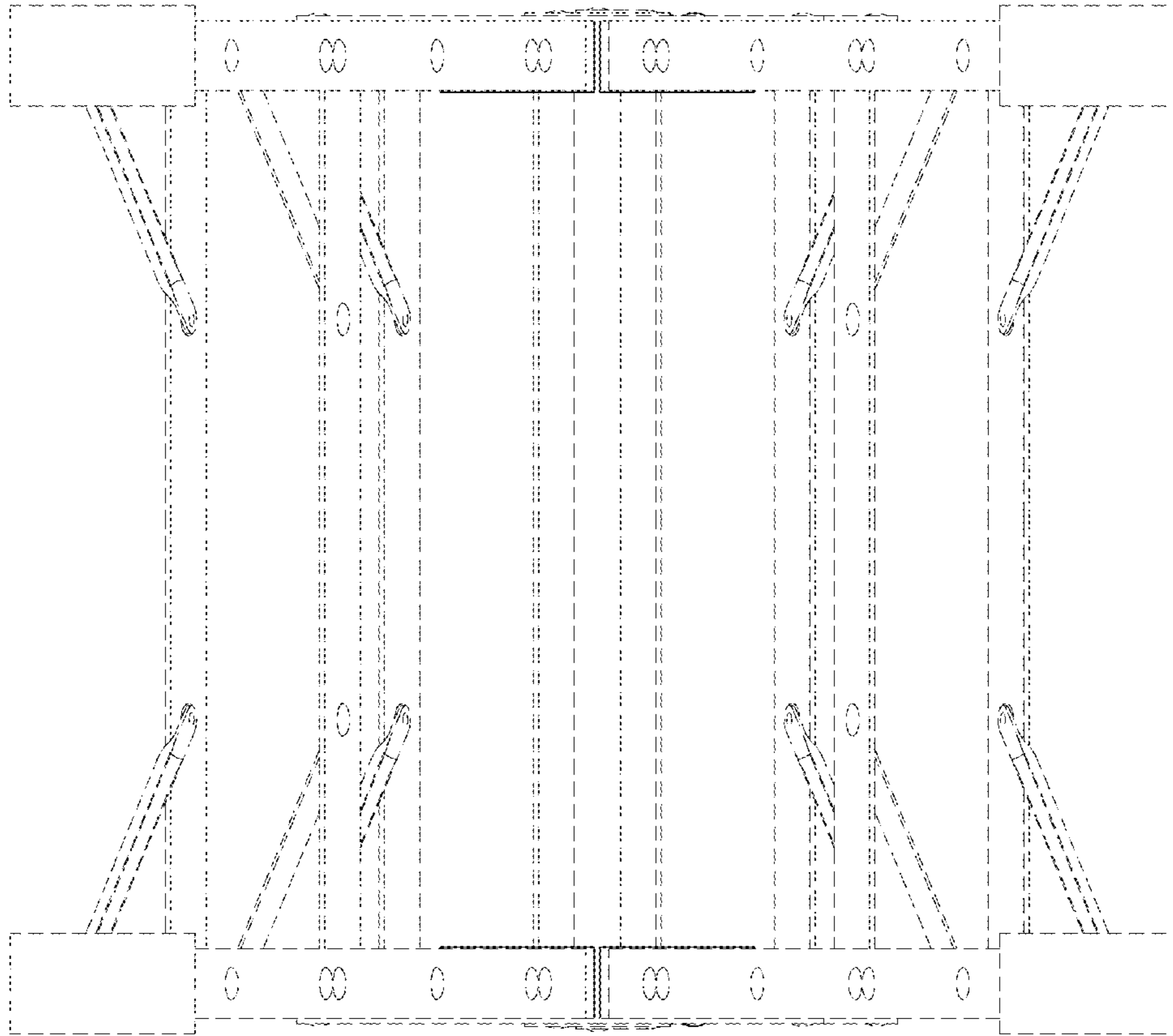


FIG. 21