



US00D817515S

(12) **United States Design Patent** (10) **Patent No.:** **US D817,515 S**
Paya et al. (45) **Date of Patent:** **** May 8, 2018**

(54) **SKYLIGHT**

(71) Applicant: **Kingspan Holdings (IRL) Limited,**
Cavan (IE)

(72) Inventors: **Miguel Paya,** Chester (GB); **Thomas Martin,** Carrickmacross (IE); **Gareth McDonald,** Belturbet (IE)

(73) Assignee: **Kingspan Holdings (IRL) Limited,**
Kingscourt, County Cavan (IE)

(**) Term: **15 Years**

(21) Appl. No.: **29/584,935**

(22) Filed: **Nov. 18, 2016**

(30) **Foreign Application Priority Data**

May 19, 2016 (EP) 003142678-0001

(51) **LOC (11) Cl.** **25-02**

(52) **U.S. Cl.**
USPC **D25/48.7**

(58) **Field of Classification Search**
USPC D25/48.1, 48.7, 56, 103
CPC E04D 13/03
See application file for complete search history.

(56) **References Cited**

U.S. PATENT DOCUMENTS

4,278,414 A * 7/1981 Weisner B29C 51/082
425/388
D489,462 S * 5/2004 Blomberg D25/48.7
7,395,636 B2 * 7/2008 Blomberg E04D 13/03
359/591
D650,914 S * 12/2011 Sincic D25/48.7

D661,405 S * 6/2012 Sincic D25/48.7
D794,216 S * 8/2017 Kastner D25/48.7
2004/0049996 A1 * 3/2004 Blomberg E04D 13/03
52/200
2007/0180789 A1 * 8/2007 Valentz E04D 13/03
52/200

FOREIGN PATENT DOCUMENTS

CA 126611 * 5/2009

OTHER PUBLICATIONS

<https://www.caddetails.com/Main/Company/ViewProduct?productID=13077&companyID=2988&isFeatured=False¤tTab=Product> Retrieved Sep. 20, 2017 (Year: 2017).*

* cited by examiner

Primary Examiner — Susan Bennett Hattan
Assistant Examiner — Leanne Was-Englehart
(74) *Attorney, Agent, or Firm* — Harness, Dickey & Pierce, P.L.C.

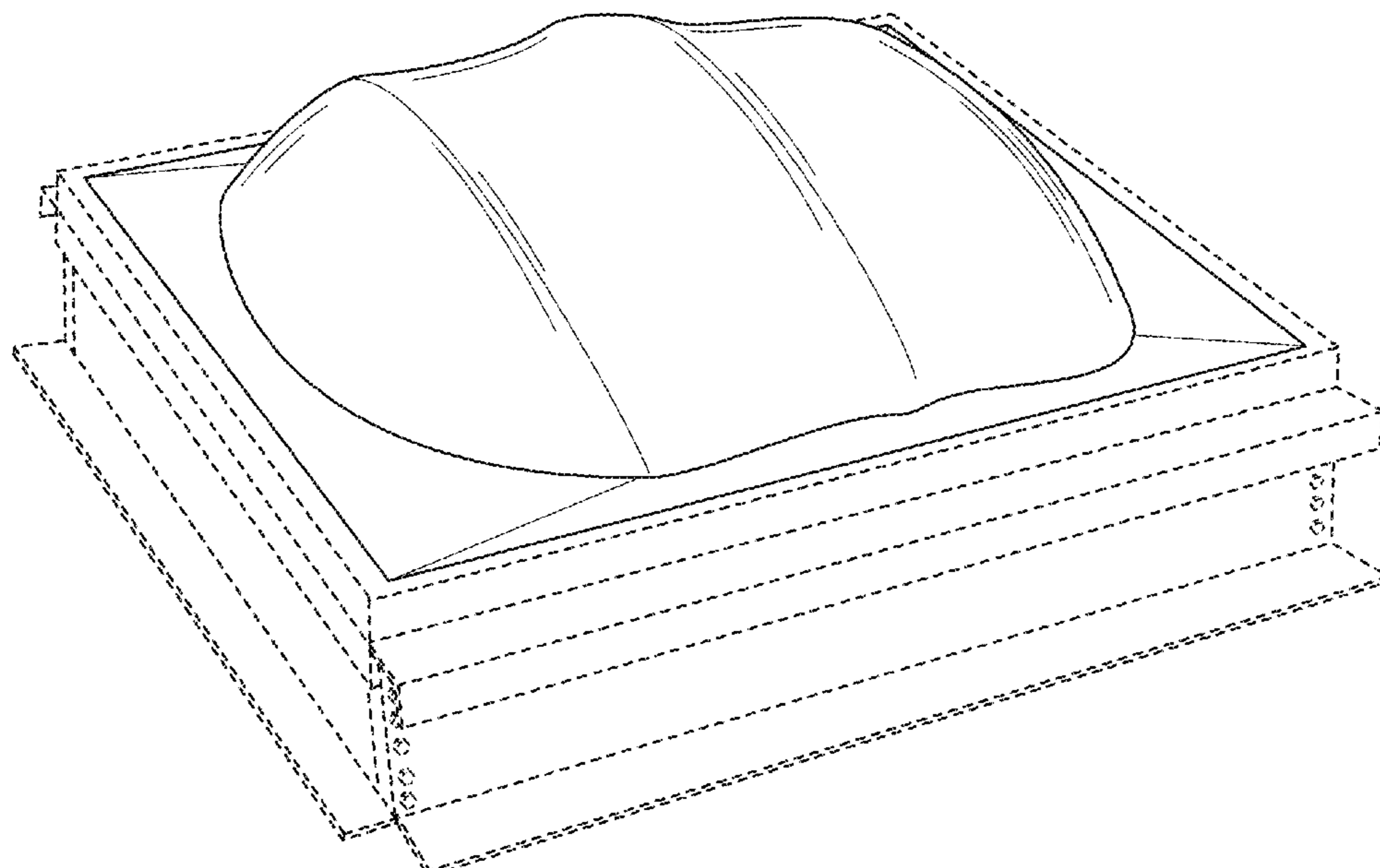
(57) **CLAIM**

The ornamental design for a skylight, as shown and described.

DESCRIPTION

FIG. 1 is a top perspective view of a skylight of our design; FIG. 2 is another top perspective view of FIG. 1; FIG. 3 is a top plan view thereof; FIG. 4 is a rear plan view of FIG. 1; and, FIG. 5 is a side plan view of FIG. 2. The broken lines in the drawings depict environment subject matter only that forms no part of the claimed design.

1 Claim, 5 Drawing Sheets



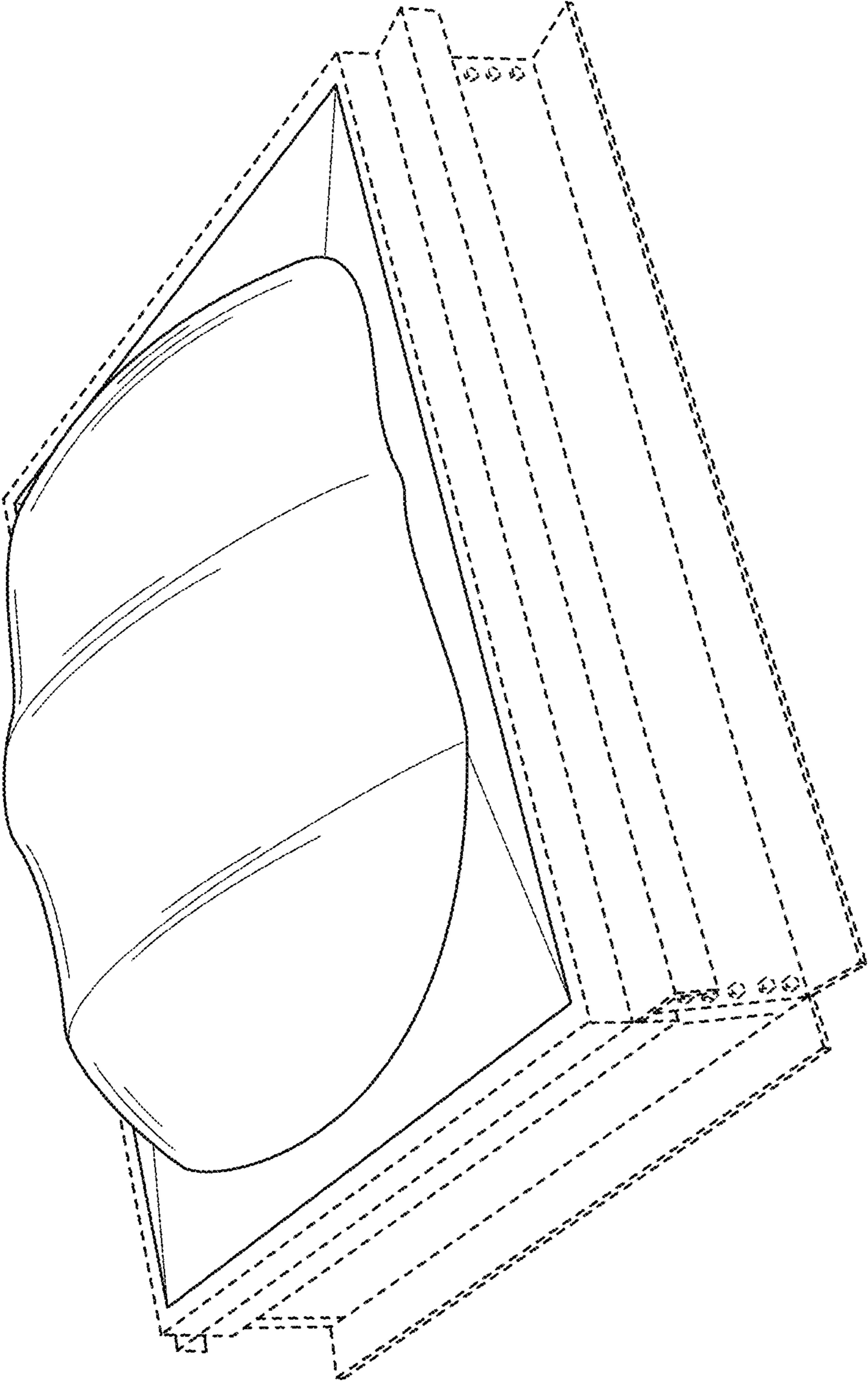


Fig. 1

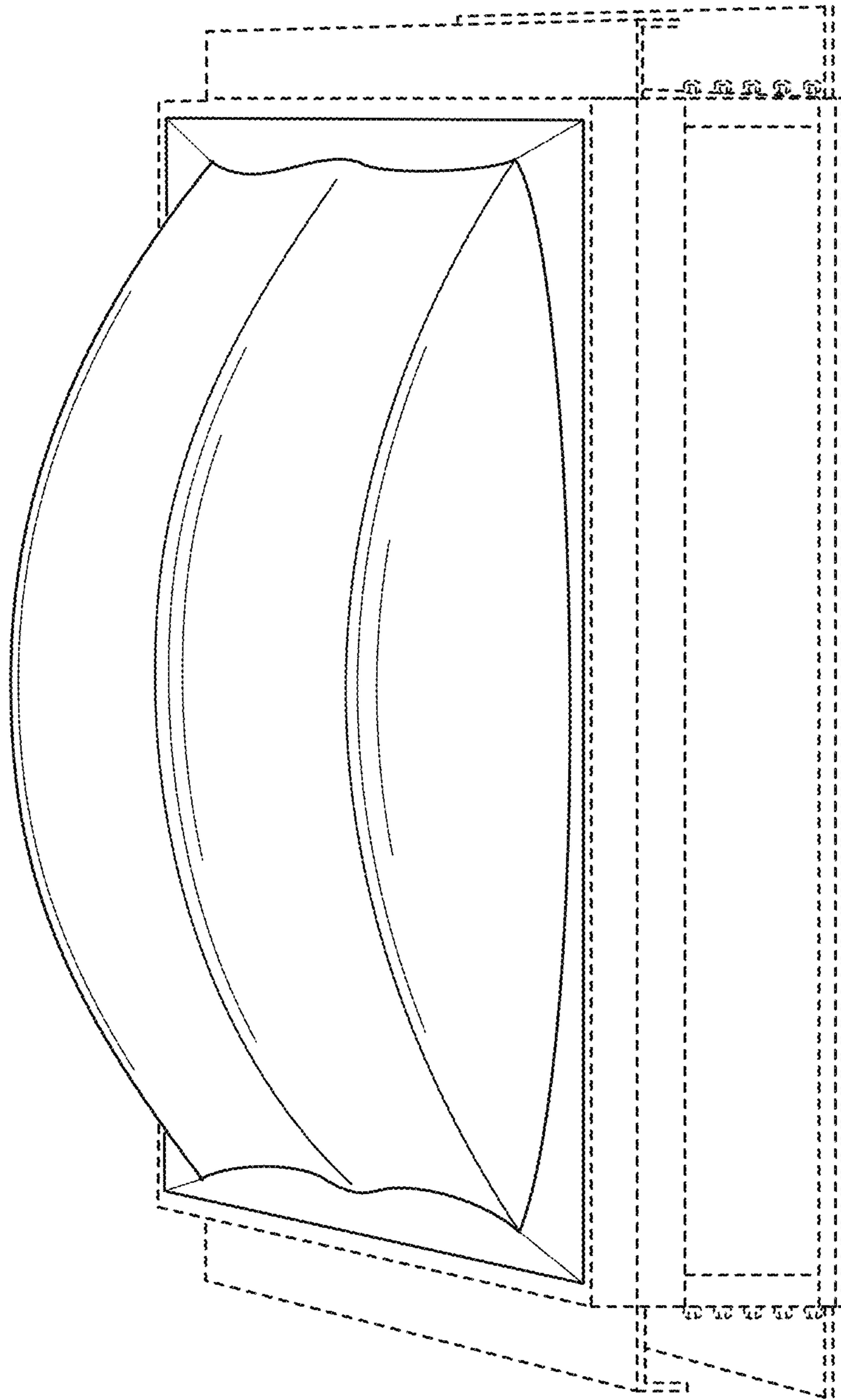


Fig. 2

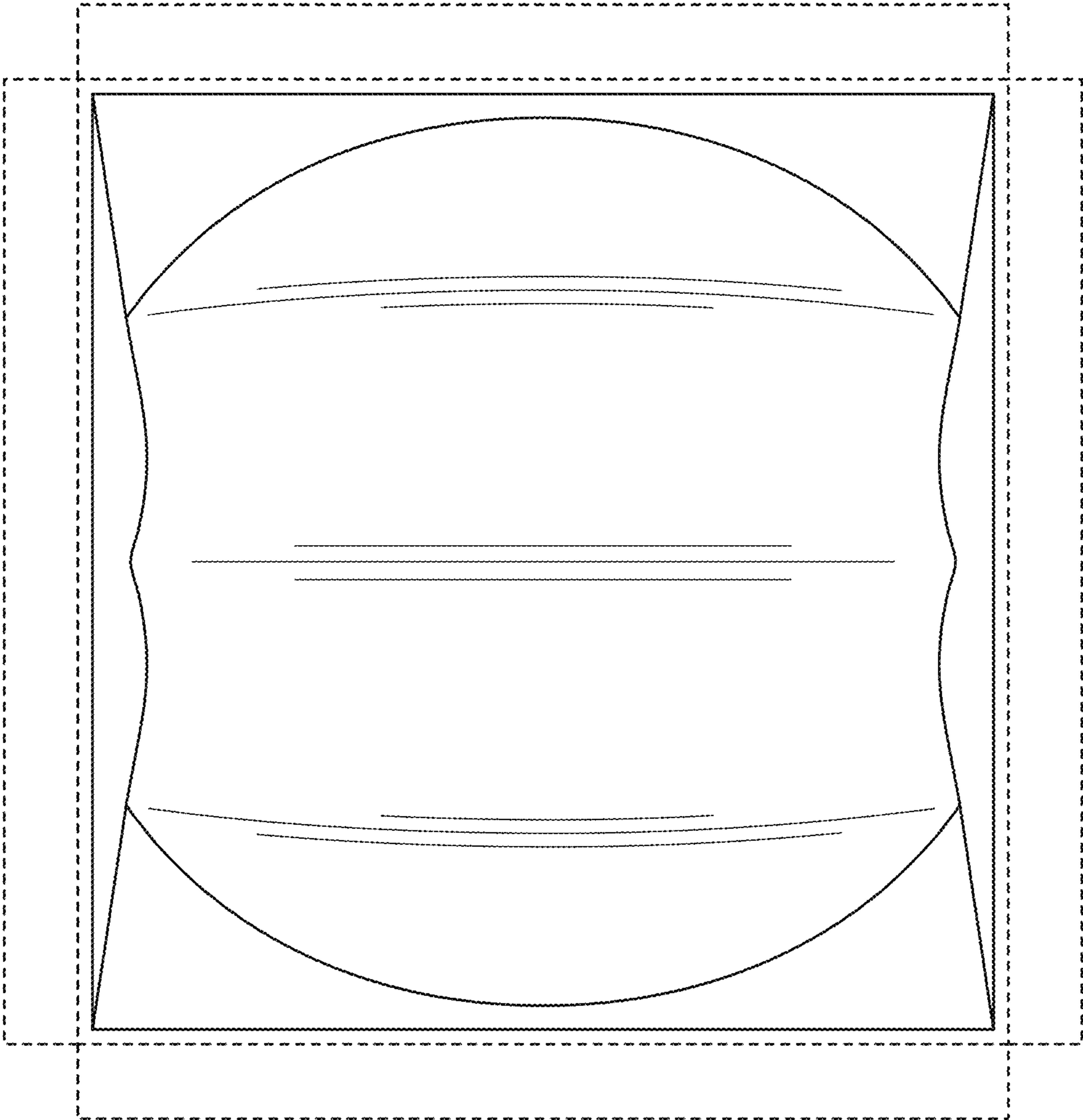


Fig. 3

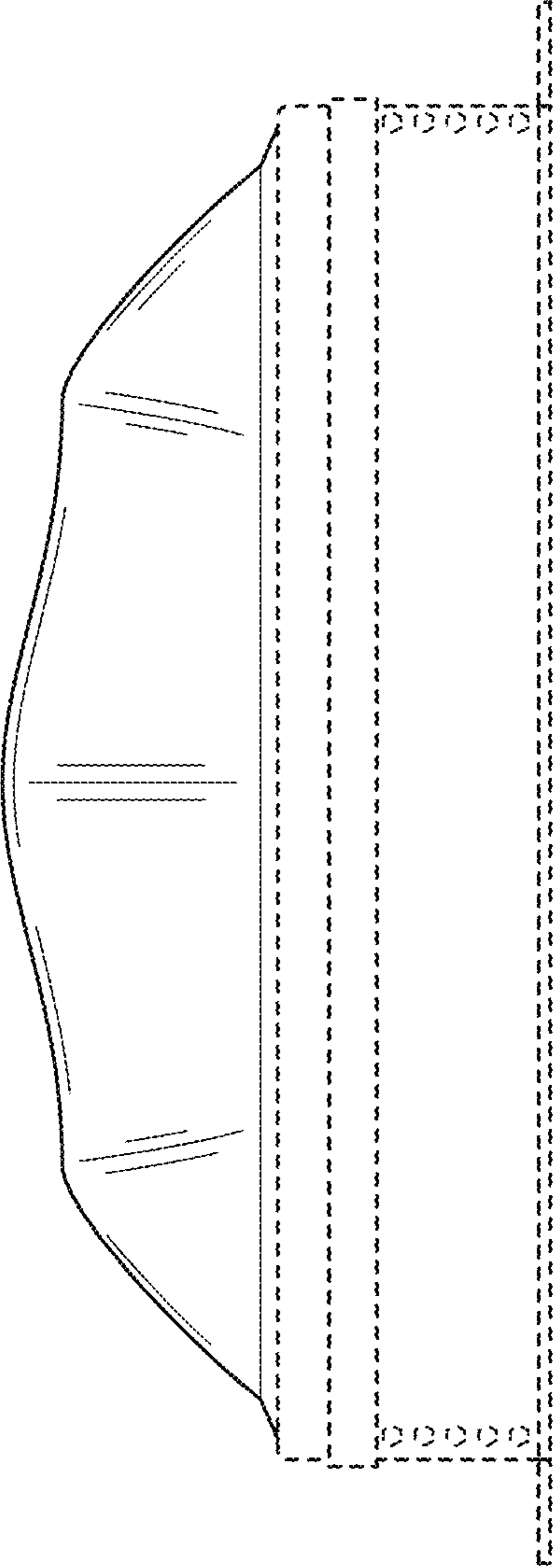


Fig. 4

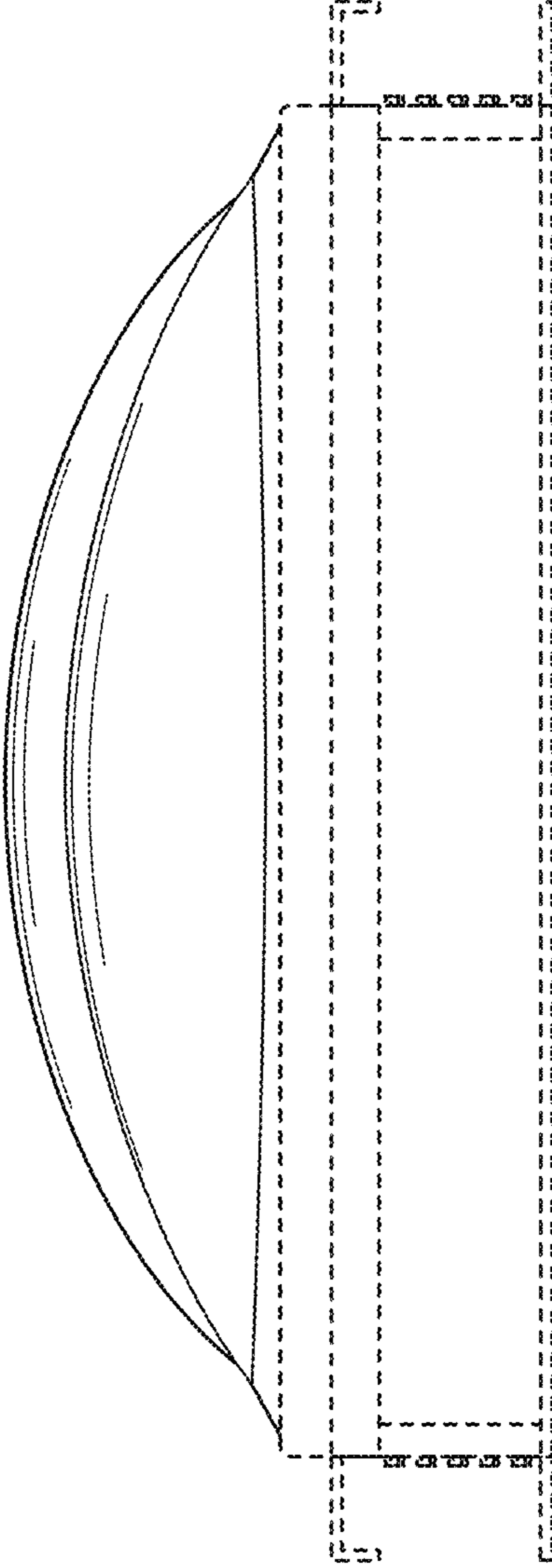


Fig. 5

UNITED STATES PATENT AND TRADEMARK OFFICE
CERTIFICATE OF CORRECTION

PATENT NO. : D817,515 S
APPLICATION NO. : 29/584935
DATED : May 8, 2018
INVENTOR(S) : Miguel Paya et al.

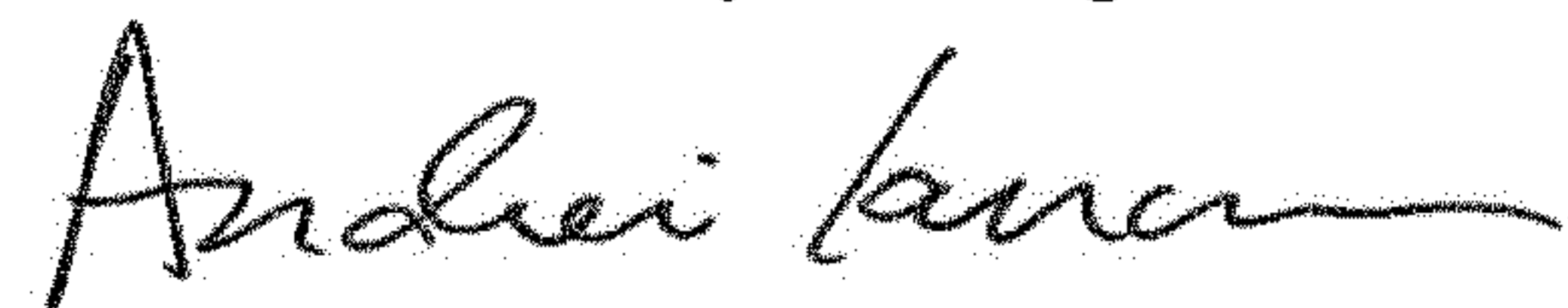
Page 1 of 1

It is certified that error appears in the above-identified patent and that said Letters Patent is hereby corrected as shown below:

On the Title Page

Item [71], Column 1, Applicant, before "Cavan", insert --Kingscourt, County--.

Signed and Sealed this
Fourteenth Day of August, 2018



Andrei Iancu
Director of the United States Patent and Trademark Office