

US00D817514S

(12) **United States Design Patent**
Rief et al.

(10) **Patent No.:** **US D817,514 S**

(45) **Date of Patent:** **** May 8, 2018**

(54) **SERVICE STATION**

(71) Applicant: **KARDEX AG**, Zürich (CH)

(72) Inventors: **Anton Rief**, München (DE); **René Talon**, Hergersweiler (DE); **Rolf Süß**, Stutensee (DE); **Nobert Bouché**, Landau (DE); **Christoph Speyerer**, Insheim (DE)

(**) Term: **15 Years**

(21) Appl. No.: **35/501,120**

(22) Filed: **Mar. 8, 2016**

(80) **Hague Agreement Data**

Int. Filing Date: **Mar. 8, 2016**

Int. Reg. No.: **DM/090988**

Int. Reg. Date: **Mar. 8, 2016**

Int. Reg. Pub. Date: **Jun. 17, 2016**

(51) **LOC (11) Cl.** **25-03**

(52) **U.S. Cl.**
USPC **D25/16**

(58) **Field of Classification Search**
USPC D25/1, 6, 16; D6/335, 640, 642, 643, D6/643.1, 381; D24/234; D16/215; D99/28; D14/900-902
CPC E04B 1/34321; E04B 2002/7483; E04B 1/12; E04B 1/348; E04H 1/1222; E04H 1/125; A47B 83/001; A47B 2083/006; A47B 83/00; A47B 83/01; A47B 2083/025
See application file for complete search history.

(56) **References Cited**

U.S. PATENT DOCUMENTS

D296,028 S * 5/1988 Foster D25/1
D304,002 S * 10/1989 Nichols D25/16

D358,951 S * 6/1995 Raynor D14/251
D373,641 S * 9/1996 Lee D20/10
D399,973 S * 10/1998 O'Reilly D25/16
D409,761 S * 5/1999 O'Reilly D25/16
D410,288 S * 5/1999 Kleihues D25/1
D411,311 S * 6/1999 Kleihues D25/16
D461,252 S * 8/2002 Marcos D25/16
D461,907 S * 8/2002 Bain D14/307
D736,407 S * 8/2015 Priest D14/900

OTHER PUBLICATIONS

<http://www.kardex-remstar.com/en/storage-retrieval-systems/vertical-buffer-module/options.html>[Jun. 6, 2017 5:17:28 AM].*

* cited by examiner

Primary Examiner — Michael A. Pratt

(57) **CLAIM**

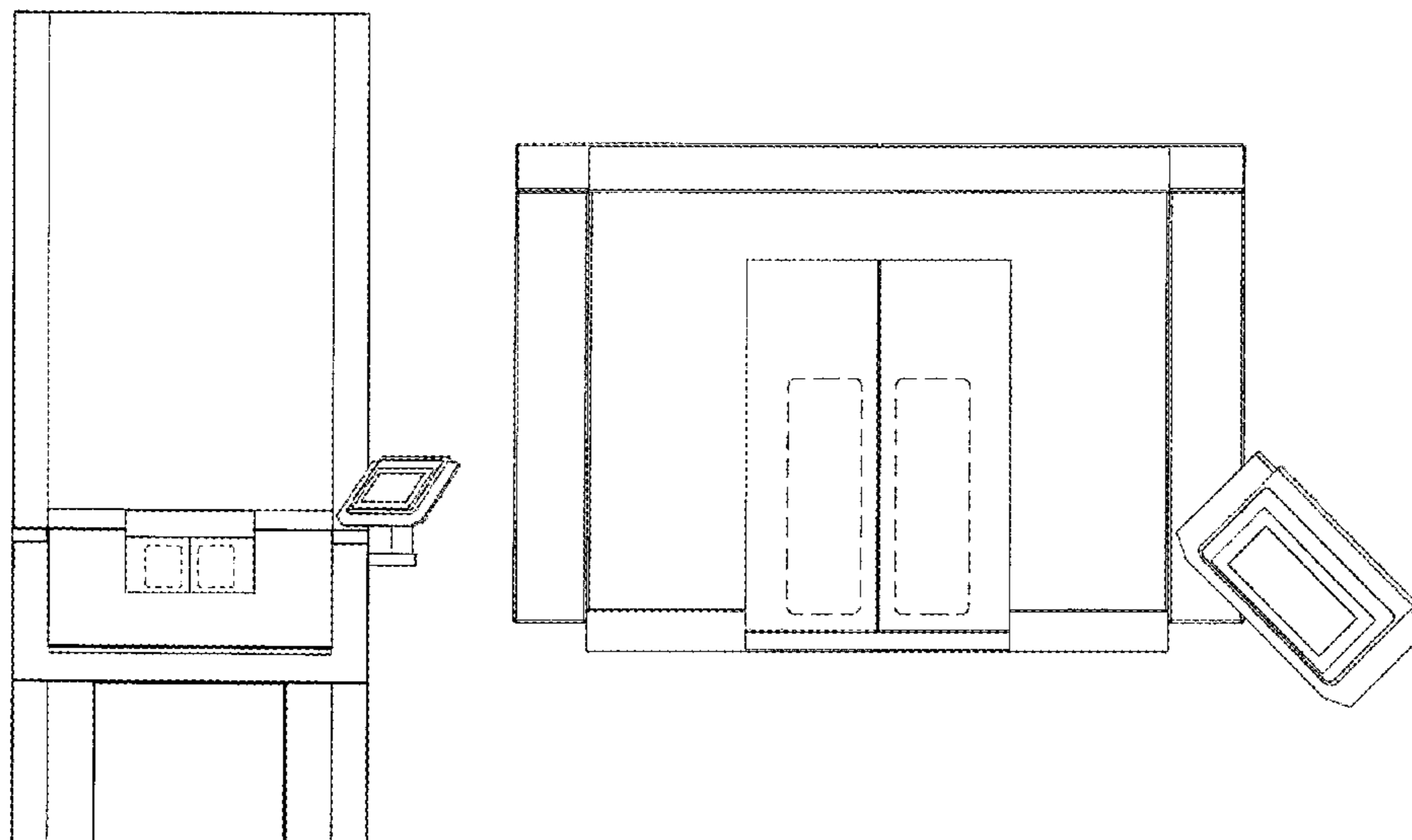
The ornamental design for a service station, as shown and described.

DESCRIPTION

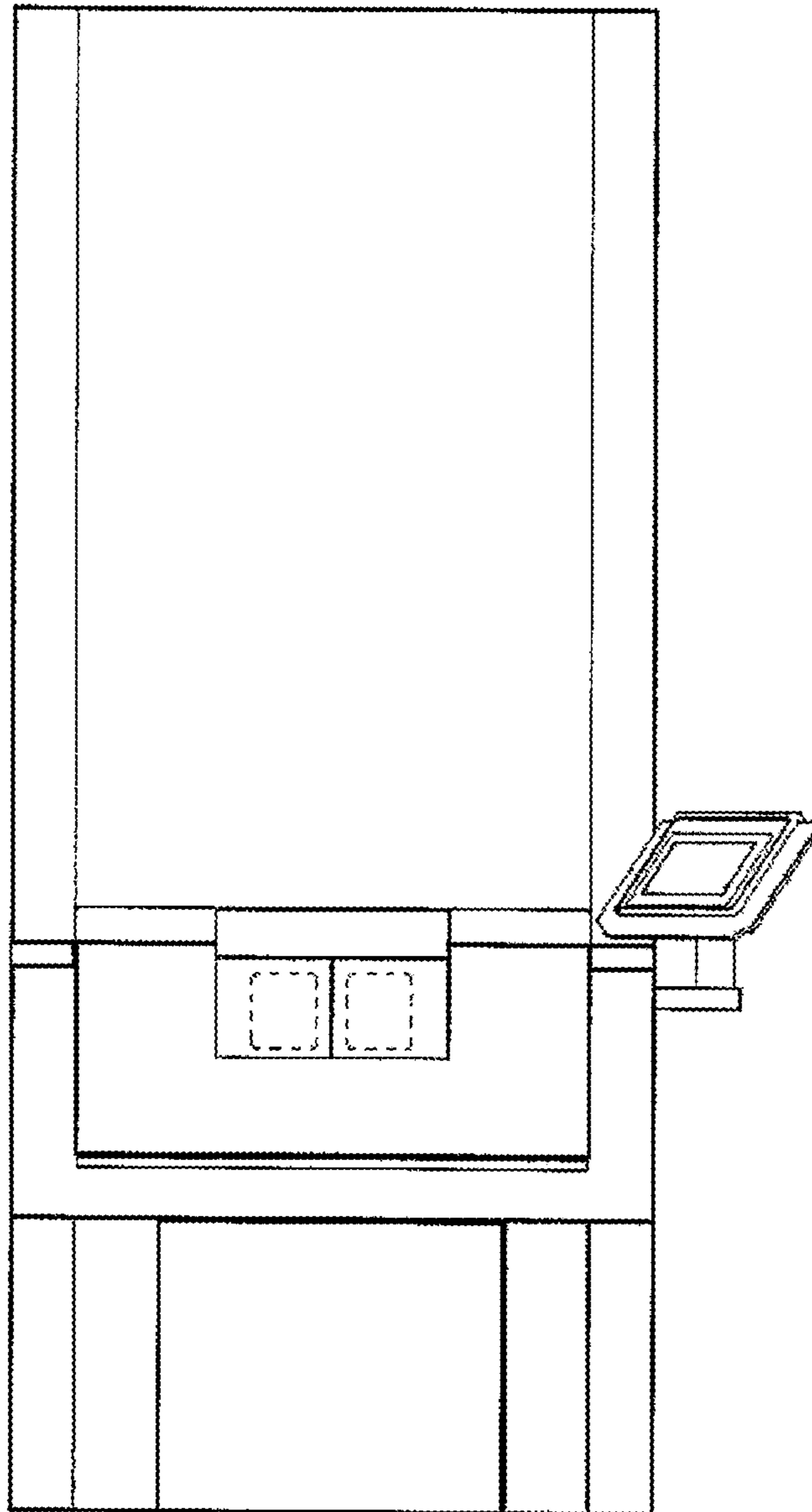
- 1. Service stations
- 1.1 : Front
- 1.2 : Back
- 1.3 : Right
- 1.4 : Left
- 1.5 : Top
- 1.6 : Bottom

The broken lines in Figures 1.1 and 1.5 are included for the purpose of illustrating a portion of the service station that forms no part of the claimed design.

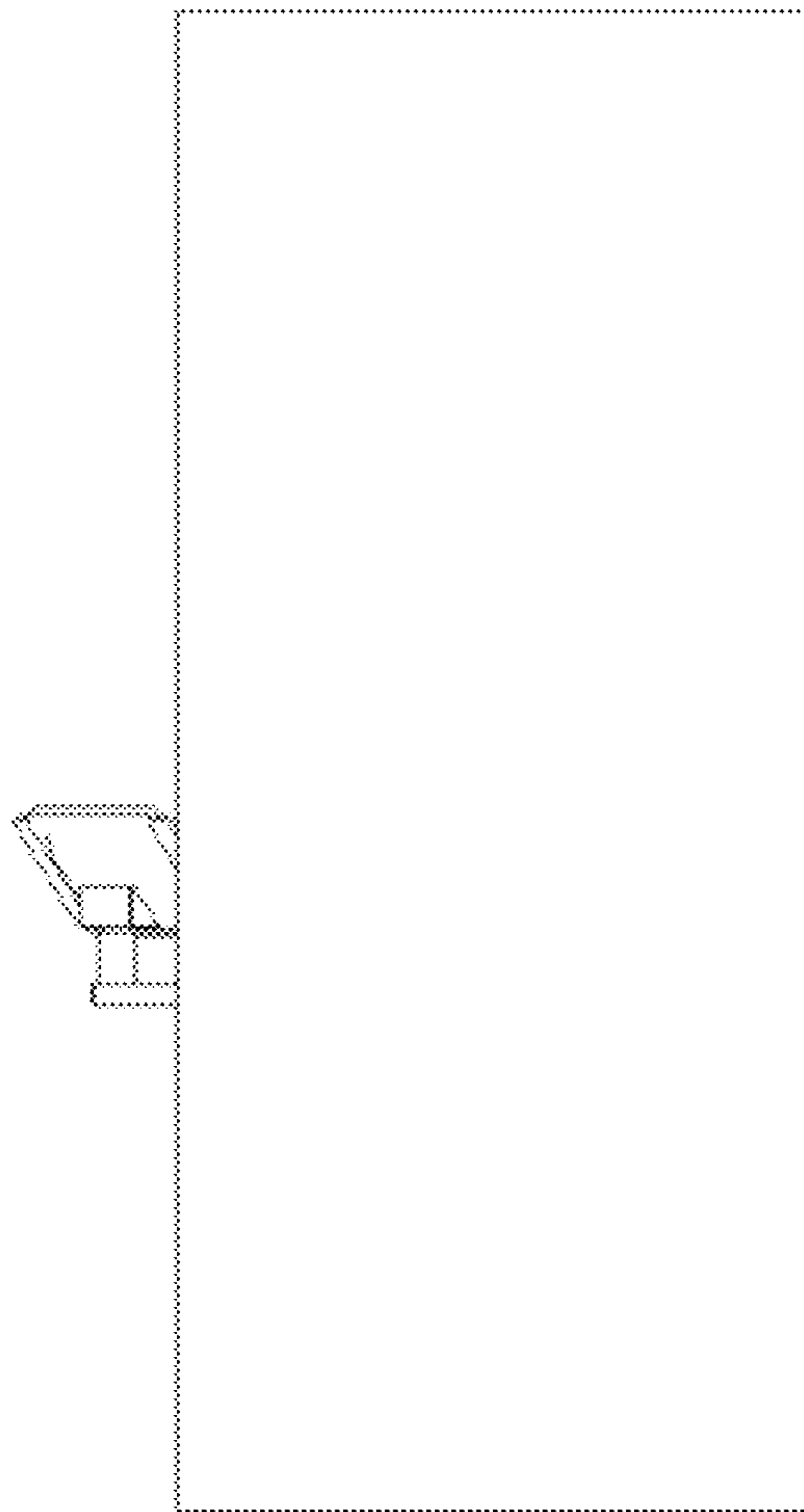
1 Claim, 6 Drawing Sheets



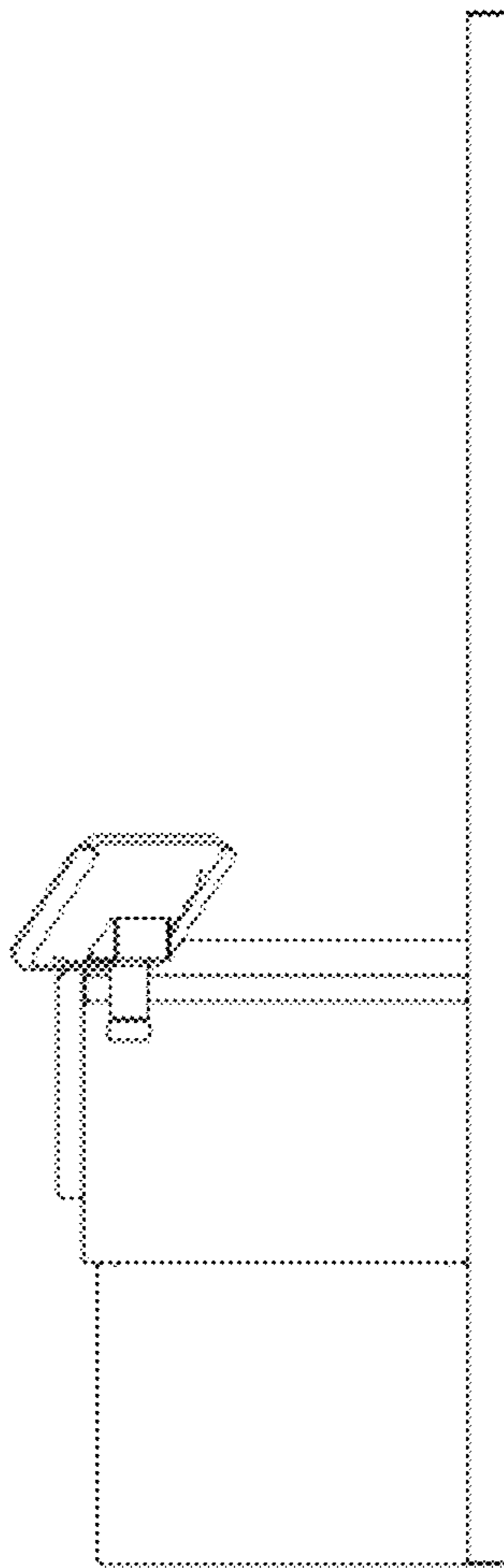
1.1



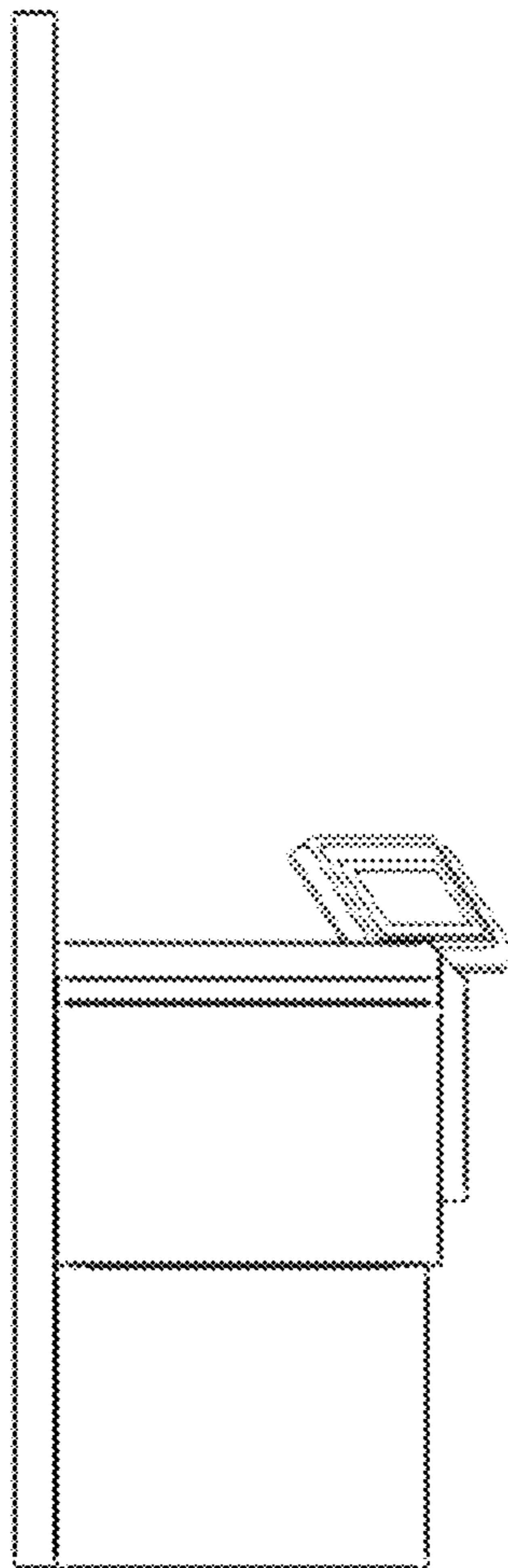
1.2

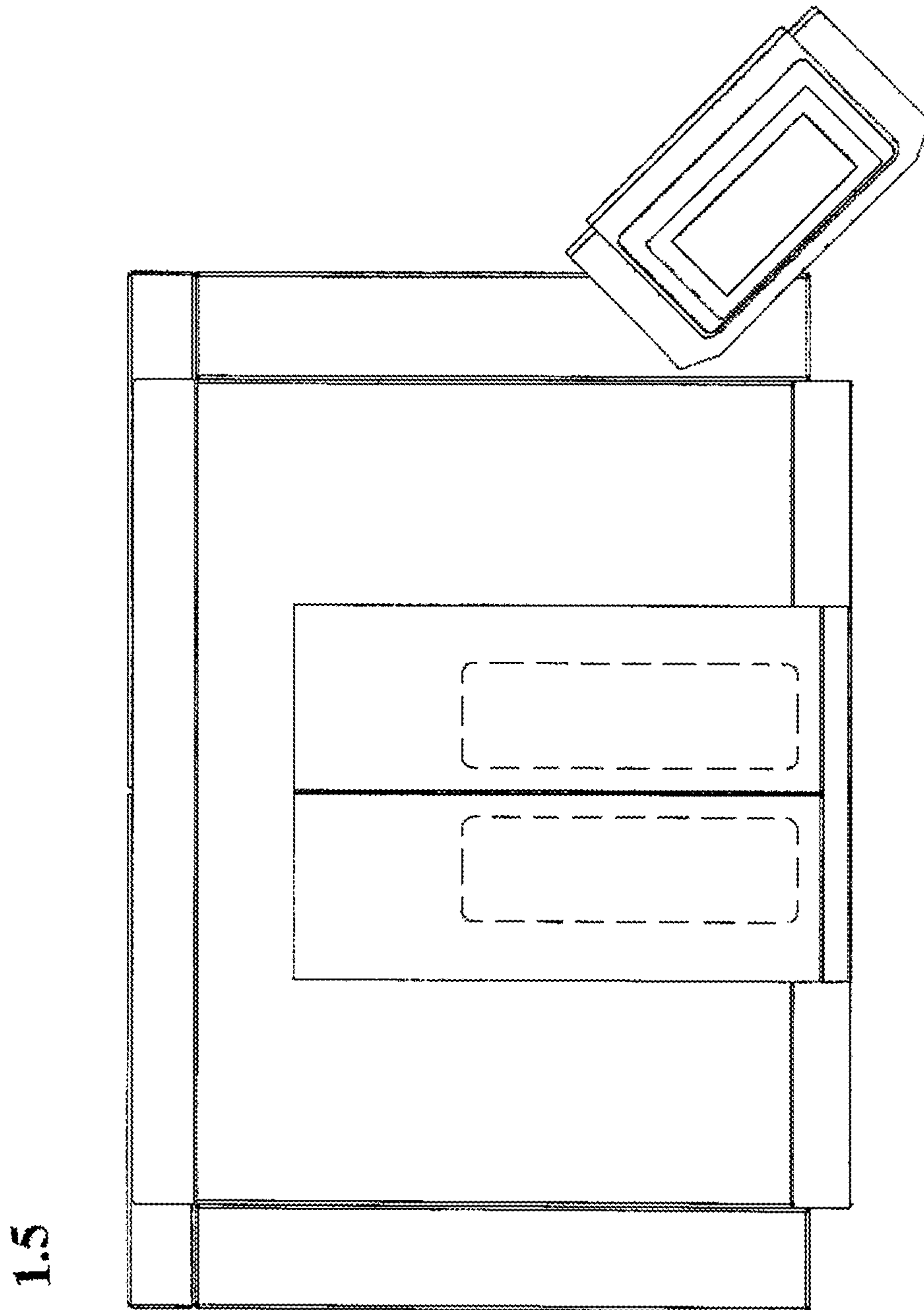


1.3



1.4





1.6

