



US00D817513S

(12) **United States Design Patent** (10) **Patent No.:** **US D817,513 S**  
**Gleave et al.** (45) **Date of Patent:** **\*\* May 8, 2018**

(54) **MODULAR SATELLITE EQUIPMENT STATION**

(71) Applicant: **IAP Worldwide Services, Inc.**, Cape Canaveral, FL (US)

(72) Inventors: **Peter S. Gleave**, Dorset (GB); **Mark Hardy**, Dorset (GB); **Philip Robinson**, Dorset (GB); **Craig Jarman**, Dorset (GB); **Rhiannon Jones**, Dorset (GB); **Elaine Medway**, Dorset (GB)

(73) Assignee: **IAP Worldwide Services, Inc.**, Cape Canaveral, FL (US)

(\*\*) Term: **15 Years**

(21) Appl. No.: **29/546,298**

(22) Filed: **Nov. 20, 2015**

(51) **LOC (11) Cl.** ..... **25-03**

(52) **U.S. Cl.**  
USPC ..... **D25/16**

(58) **Field of Classification Search**  
USPC ..... D25/1-30, 31-34, 35, 55-59; D6/673, D6/335, 686; 52/33, 29, 36.1; D21/506-511  
CPC .... E04H 1/04; E04H 1/06; E04H 3/02; E04H 3/04; E04H 1/12; E04H 1/1205; E04H 1/1222; E04B 2/7416; E04B 2/7453; E04B 2/827

See application file for complete search history.

(56) **References Cited**

**U.S. PATENT DOCUMENTS**

- D399,572 S \* 10/1998 Ota ..... D25/1
- 6,415,553 B1 \* 7/2002 Krayner, Jr. .... E04B 2/7416  
52/36.1
- 9,222,255 B2 \* 12/2015 Johnson ..... E04B 2/827
- D752,241 S \* 3/2016 Page ..... D25/1
- 2002/0024274 A1 \* 2/2002 Swaab ..... E04B 2/7416  
312/201

- 2002/0194793 A1 \* 12/2002 Bowron ..... G09F 27/00  
52/36.1
- 2005/0011138 A1 \* 1/2005 Ball ..... A47B 83/001  
52/36.1
- 2005/0144855 A1 \* 7/2005 Waalkes ..... A47B 21/06  
52/36.1
- 2013/0086860 A1 \* 4/2013 Solomon ..... E04B 2/7453  
52/243.1

\* cited by examiner

*Primary Examiner* — Susan Bennett Hattan

*Assistant Examiner* — Brett Miller

(74) *Attorney, Agent, or Firm* — Greenberg Traurig, LLP

(57) **CLAIM**

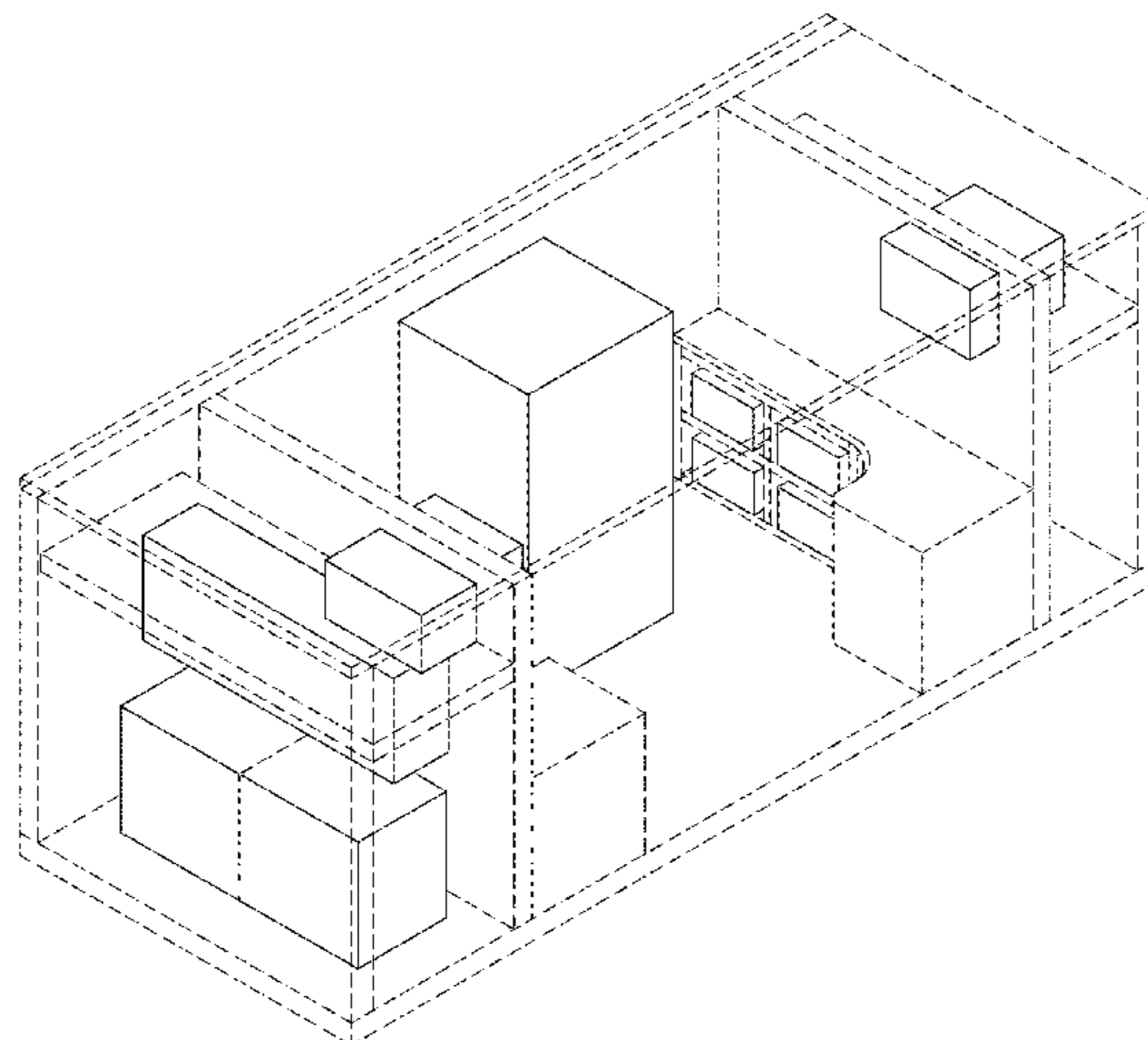
The ornamental design for a modular satellite equipment station, as shown and described.

**DESCRIPTION**

FIG. 1 is a first perspective view of a modular satellite equipment station showing our new design;  
 FIG. 2 is a second perspective view of a modular satellite equipment station shown in FIG. 1;  
 FIG. 3 is a top view of the modular satellite equipment station shown in FIG. 1;  
 FIG. 4 is a bottom view of the modular satellite equipment station shown in FIG. 1;  
 FIG. 5 is a front view of the modular satellite equipment station shown in FIG. 1;  
 FIG. 6 is a rear view of the modular satellite equipment station shown in FIG. 1;  
 FIG. 7 is a left side view of the modular satellite equipment station shown in FIG. 1; and,  
 FIG. 8 is a right side view of the modular satellite equipment station shown in FIG. 1.

The broken lines showing the inner and outer walls, floor, roof, and shelves of the modular satellite equipment station are included to show features that form no part of the claimed design.

**1 Claim, 7 Drawing Sheets**



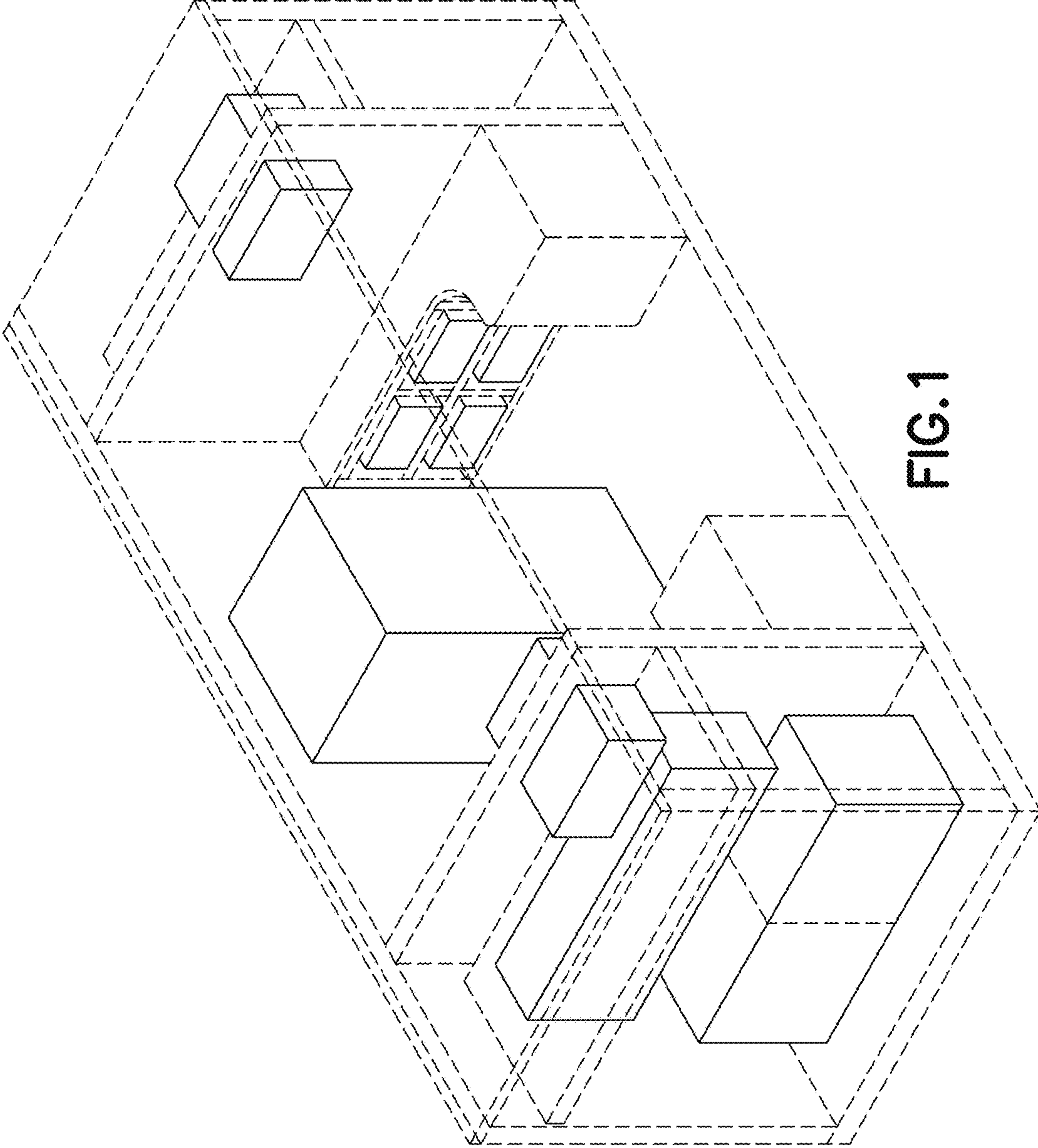


FIG. 1

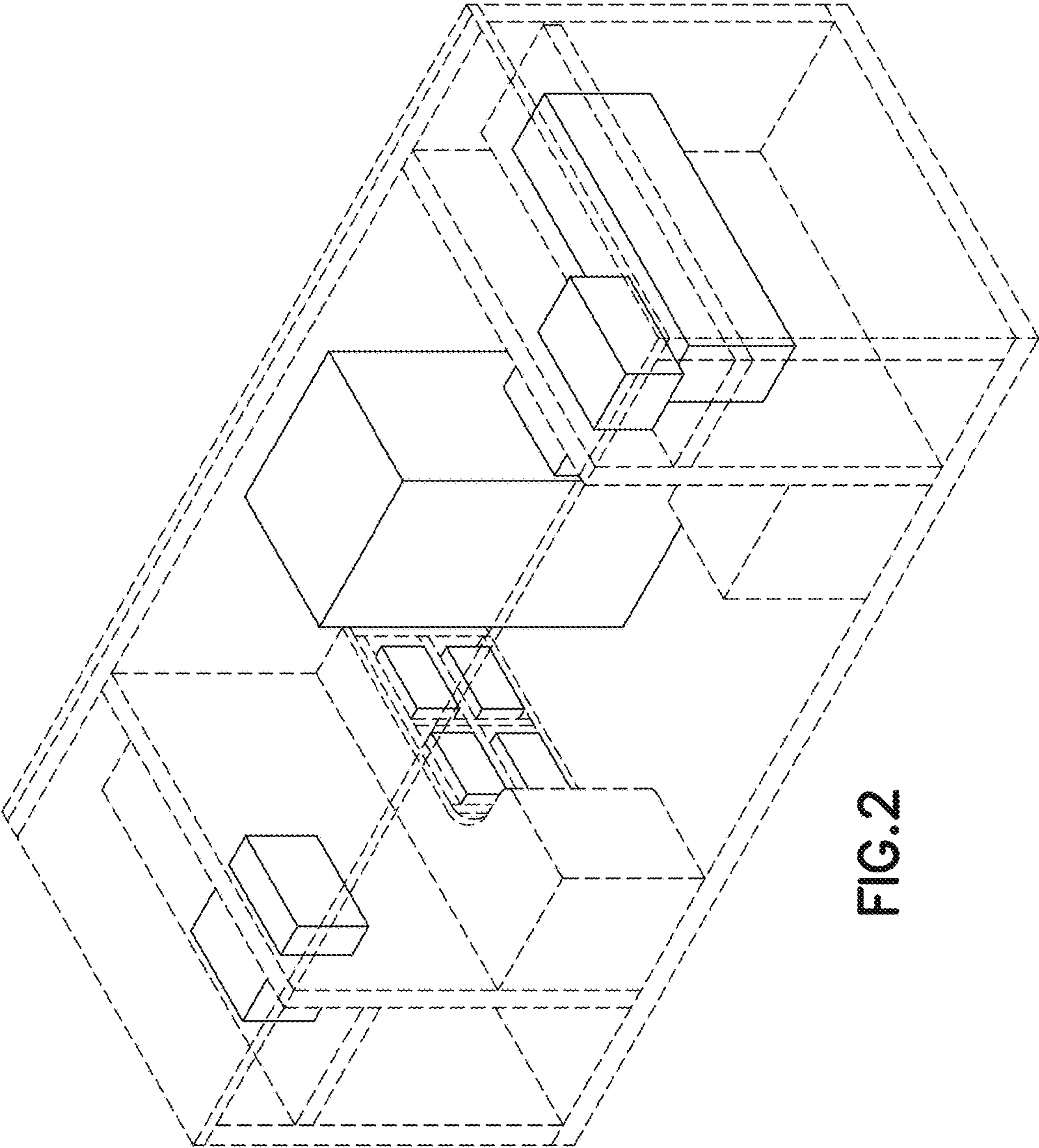


FIG. 2

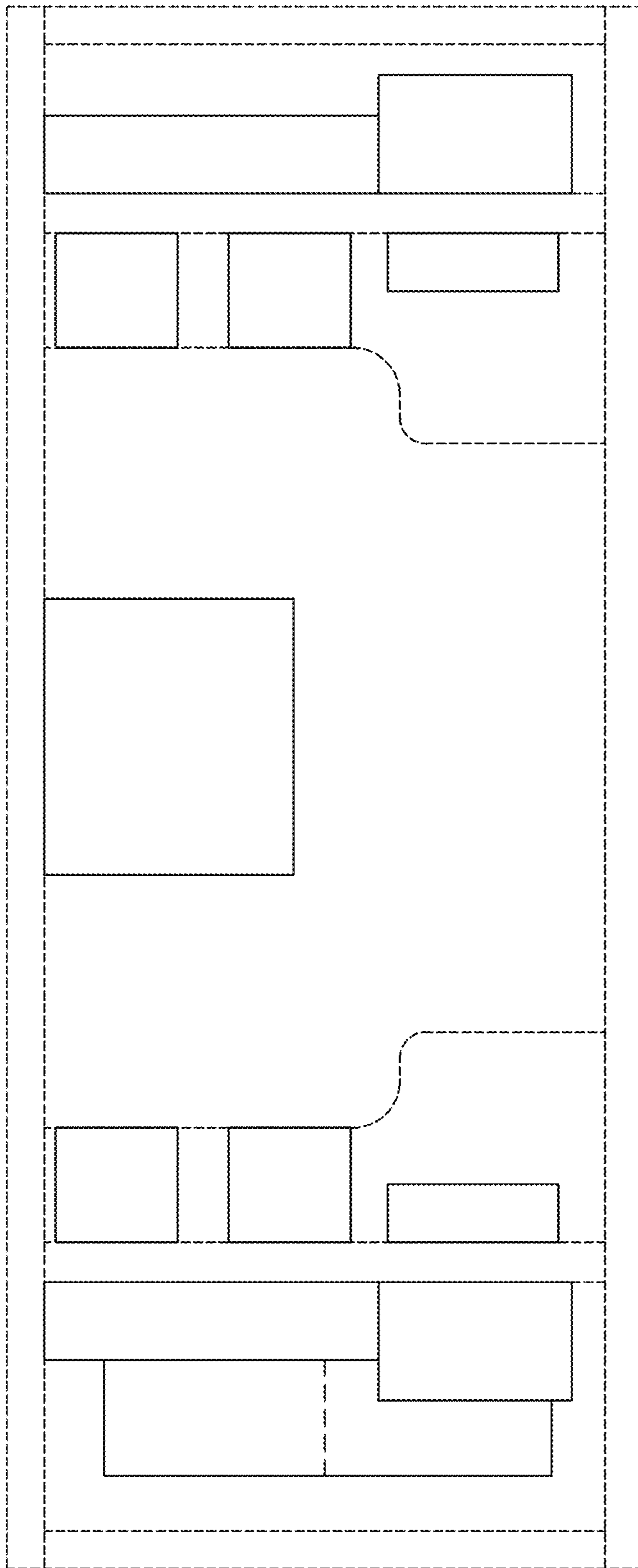


FIG. 3

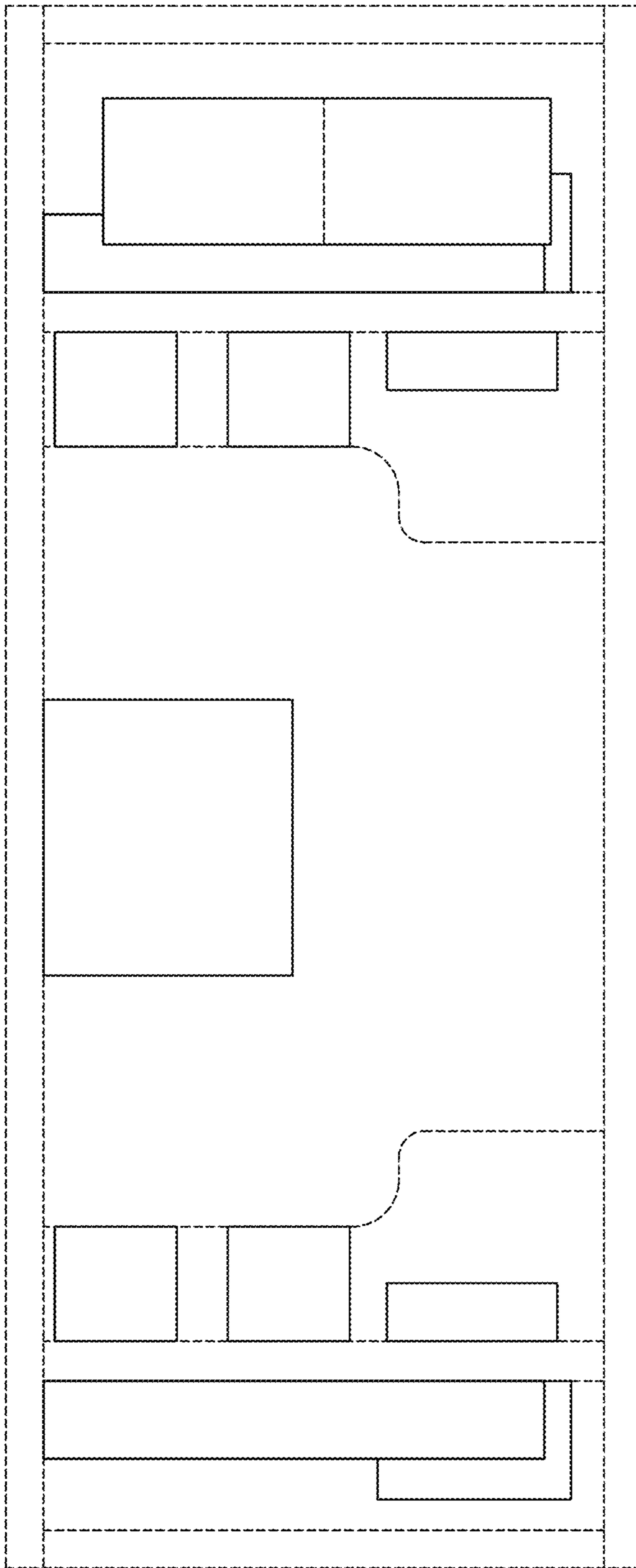


FIG. 4

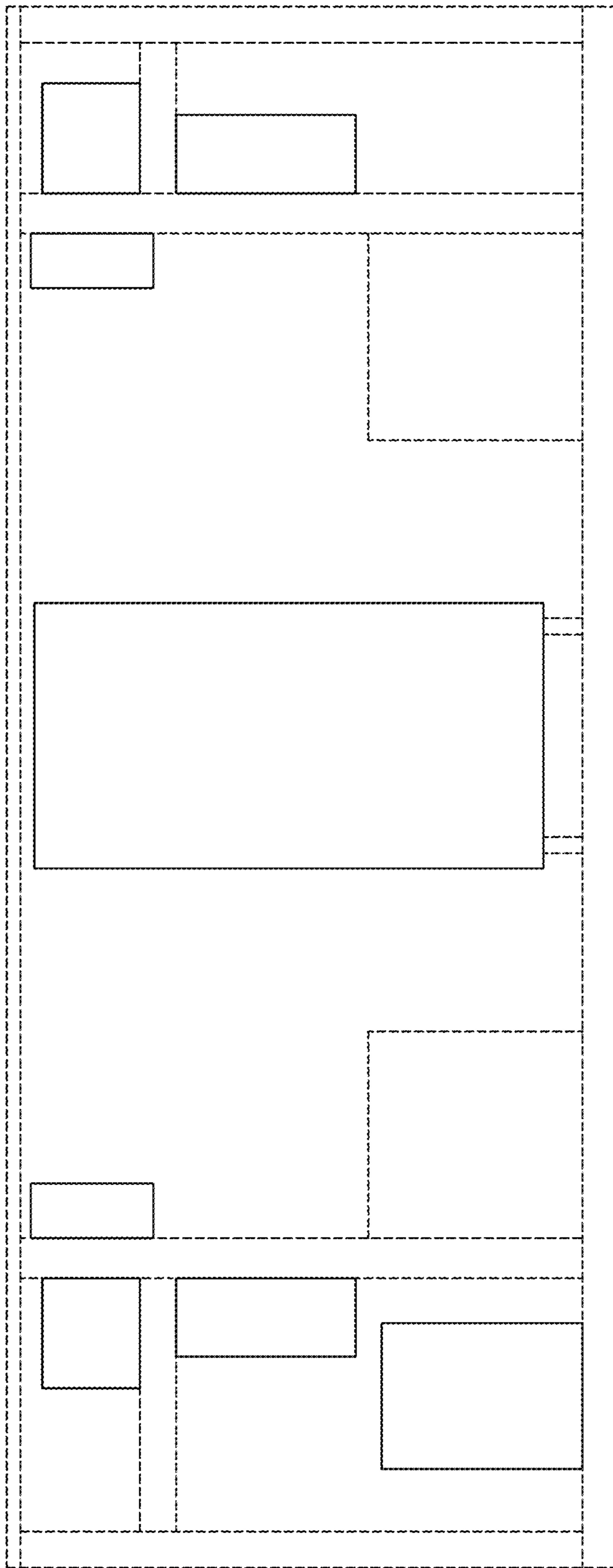


FIG. 5

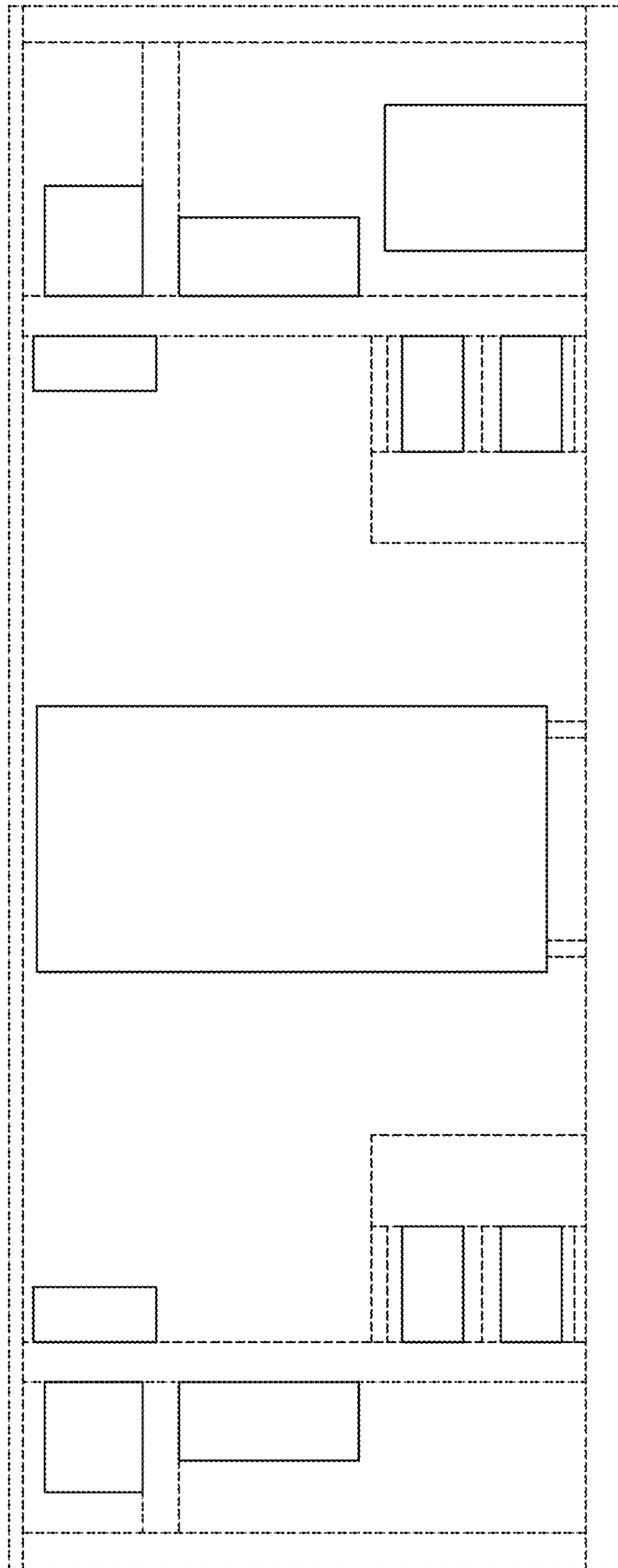


FIG. 6

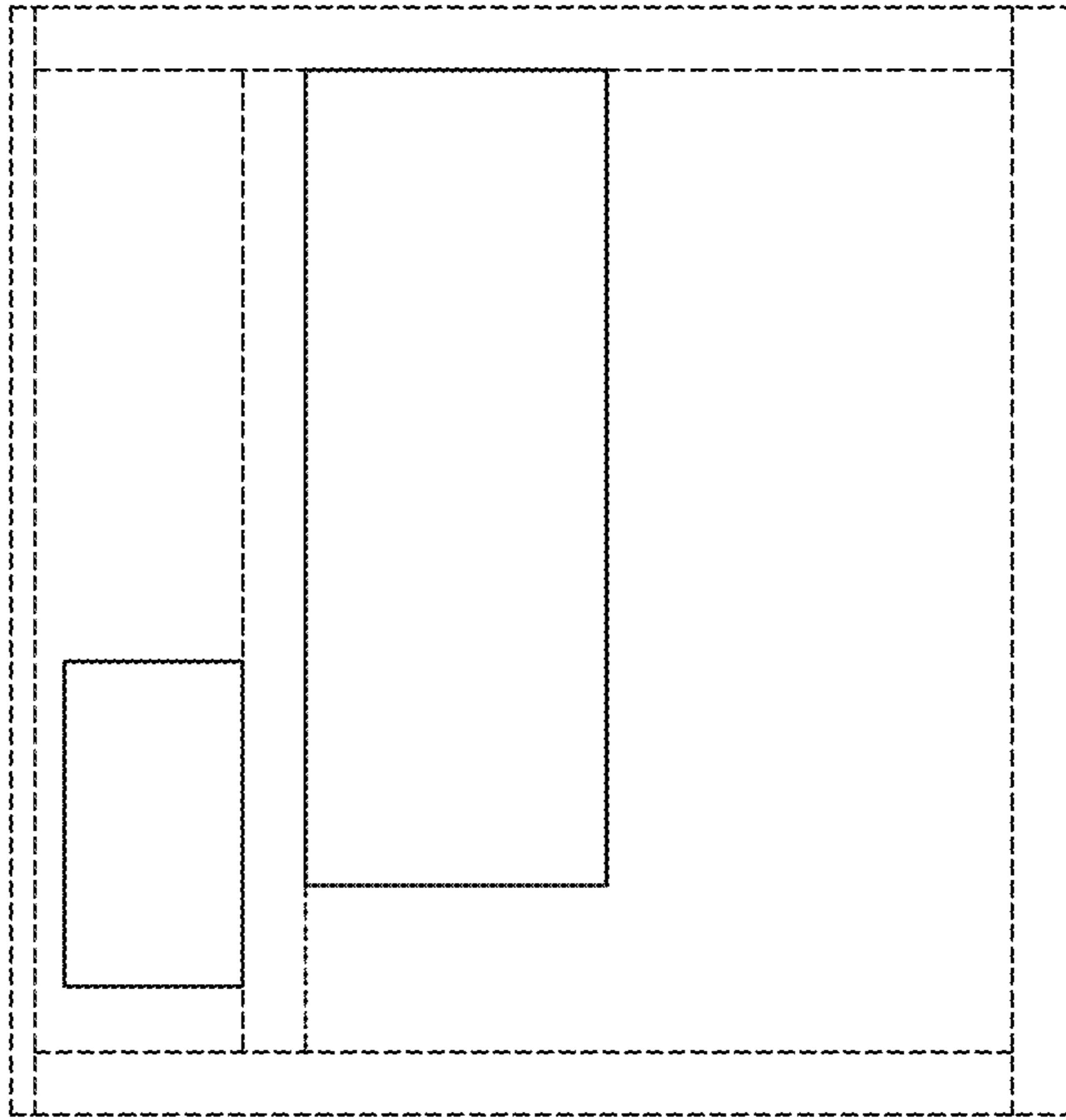


FIG. 8

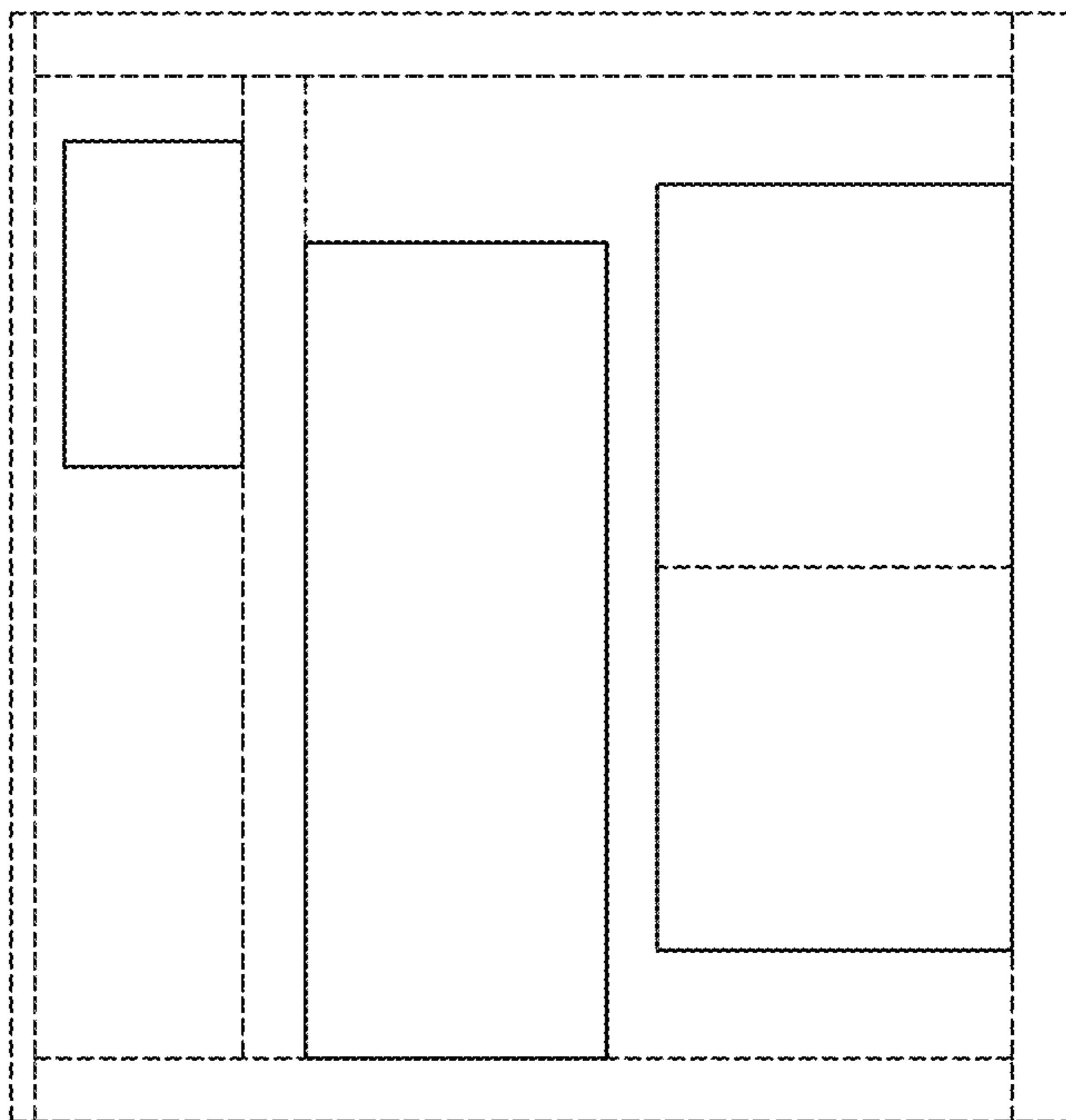


FIG. 7