



US00D817512S

(12) **United States Design Patent**
Menon et al.

(10) **Patent No.:** **US D817,512 S**
(45) **Date of Patent:** **** May 8, 2018**

(54) **DOOR FOR A DIALYSIS RECHARGER CABINET**

(71) Applicant: **Medtronic, Inc.**, Minneapolis, MN (US)

(72) Inventors: **Kanjimpuredathil Muralikrishna Menon**, Bangalore (IN); **Kaustubh R. Patil**, Bangalore (IN); **Mahesh Parameswaran**, Bangalore (IN); **Ramkumar Jeyachandran**, Bangalore (IN); **Rohit Kumar Narula**, Dehra Dun (IN)

(73) Assignee: **Medtronic, Inc.**, Minneapolis, MN (US)

(**) Term: **15 Years**

(21) Appl. No.: **29/564,759**

(22) Filed: **May 16, 2016**

(51) **LOC (11) Cl.** **24-01**

(52) **U.S. Cl.**
USPC **D24/232**

(58) **Field of Classification Search**
USPC D24/232, 170-171, 177, 185-186, 184, D24/231; D6/663-664, 703, 703.1,
(Continued)

(56) **References Cited**

U.S. PATENT DOCUMENTS

D395,284 S * 6/1998 Downing D13/184
D395,968 S * 7/1998 Shappell D15/91
(Continued)

Primary Examiner — Wan Laymon
Assistant Examiner — Mark Booker

(57) **CLAIM**

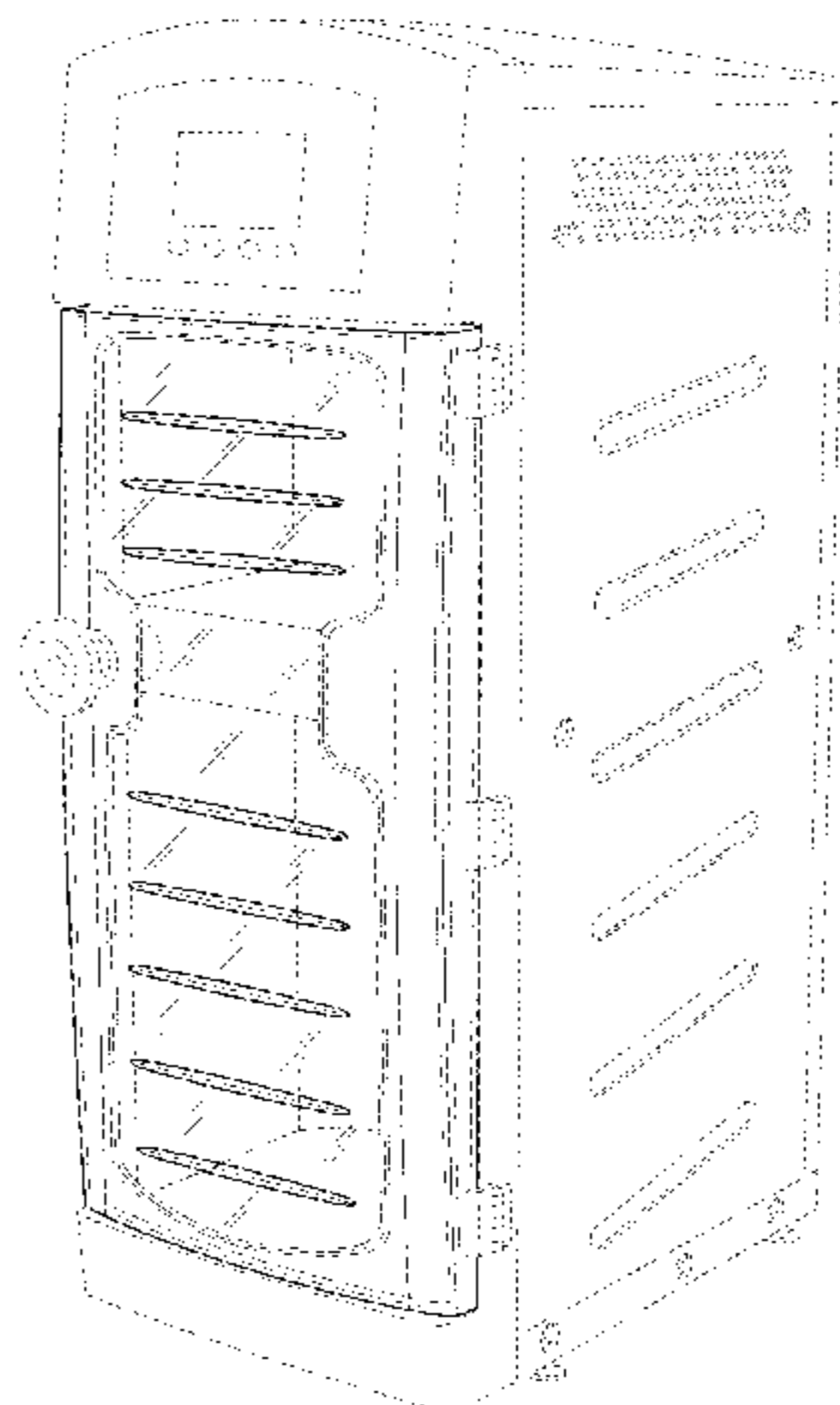
We claim the ornamental design for a door for a dialysis recharger cabinet, as shown and described.

DESCRIPTION

FIG. 1 is a first perspective view of the door for a dialysis recharger cabinet according to a first embodiment;

FIG. 2 is a front view of the first perspective view of the door for a dialysis recharger cabinet referenced in FIG. 1; FIG. 3 is a rear view of the first perspective view of the door for a dialysis recharger cabinet referenced in FIG. 1; FIG. 4 is a left side view of the first perspective view of the door for a dialysis recharger cabinet referenced in FIG. 1; FIG. 5 is a right side view of the first perspective view of the door for a dialysis recharger cabinet referenced in FIG. 1; FIG. 6 is a top view of the first perspective view of the door for a dialysis recharger cabinet referenced in FIG. 1; FIG. 7 is a bottom view of the first perspective view of the door for a dialysis recharger cabinet referenced in FIG. 1; FIG. 8 is a cross-sectional view of the lower portion of the door for a dialysis recharger cabinet along line 8-8 of FIG. 2; FIG. 9 is a cross-sectional view of the higher portion of the door for a dialysis recharger cabinet along line 9-9 of FIG. 2; FIG. 10 is a second perspective view of the door for a dialysis recharger cabinet according to a second embodiment; FIG. 11 is a front view of the second perspective view of the door for a dialysis recharger cabinet referenced in FIG. 10; FIG. 12 is a rear view of the second perspective view of the door for a dialysis recharger cabinet referenced in FIG. 10; FIG. 13 is a left side view of the second perspective view of the door for a dialysis recharger cabinet referenced in FIG. 10; FIG. 14 is a right side view of the second perspective view of the door for a dialysis recharger cabinet referenced in FIG. 10; FIG. 15 is a top view of the second perspective view of the door for a dialysis recharger cabinet referenced in FIG. 10; FIG. 16 is a bottom view of the second perspective view of the door for a dialysis recharger cabinet referenced in FIG. 10; FIG. 17 is a cross-sectional view of the lower portion of the door for a dialysis recharger cabinet along line 17-17 of FIG. 11; and, FIG. 18 is a cross-sectional view of the higher portion of the door for a dialysis recharger cabinet along line 18-18 of FIG. 11.

(Continued)



The broken line showing in the figures is included for the purposes of illustrating portions of the door for a dialysis recharger cabinet and form no part of the claimed design.

1 Claim, 18 Drawing Sheets

(58) **Field of Classification Search**

USPC D6/703.5, 705.1; D13/184; D34/27;
210/147, 647

CPC A61L 2/04; B01D 15/08

See application file for complete search history.

(56) **References Cited**

U.S. PATENT DOCUMENTS

D472,689	S	*	4/2003	Benn	D34/27
D493,640	S	*	8/2004	Nemec	D6/703
D525,460	S	*	7/2006	Nobles	D6/332
D714,945	S	*	10/2014	Gerber	D24/185
D776,283	S	*	1/2017	Lura	D24/185

* cited by examiner

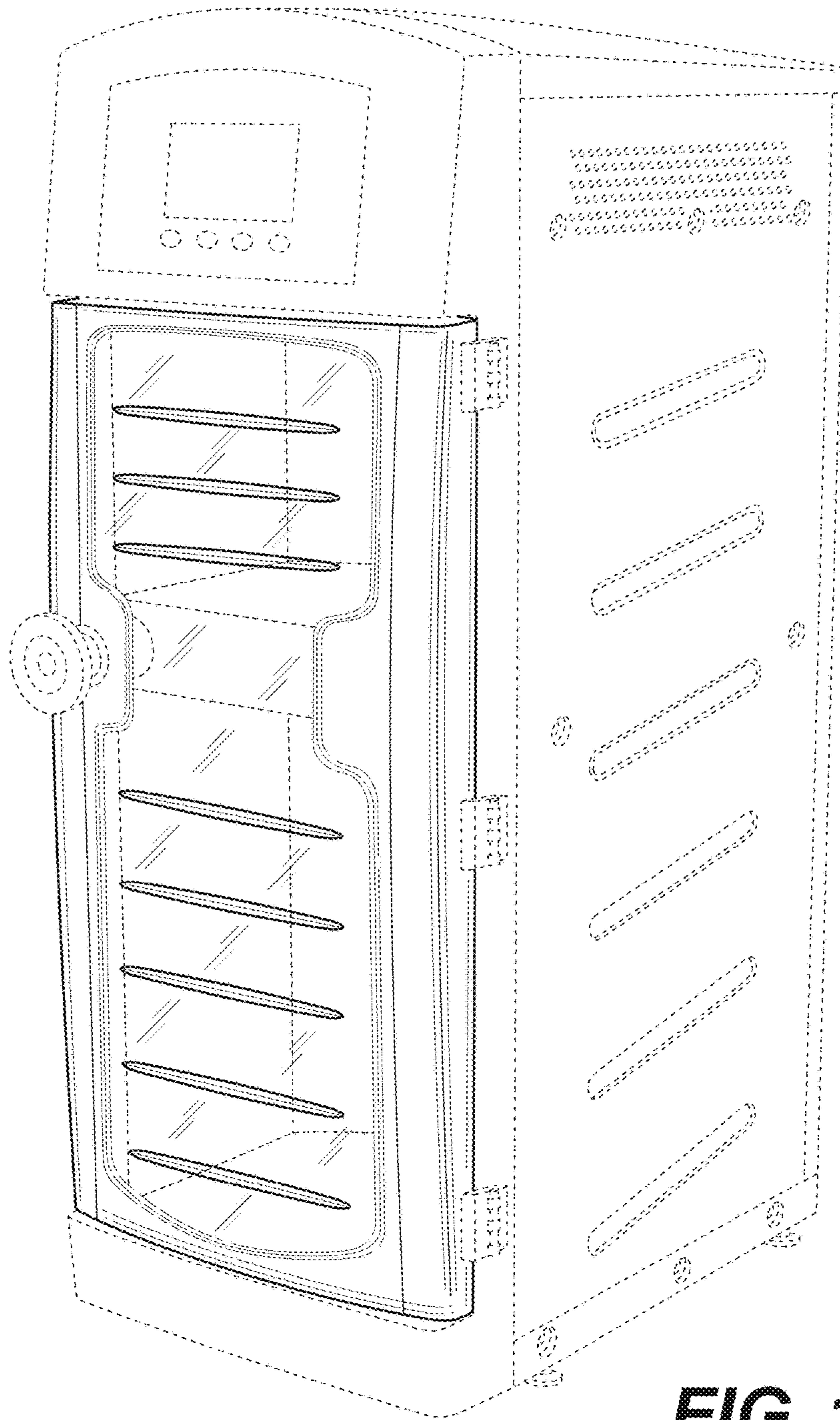


FIG. 1

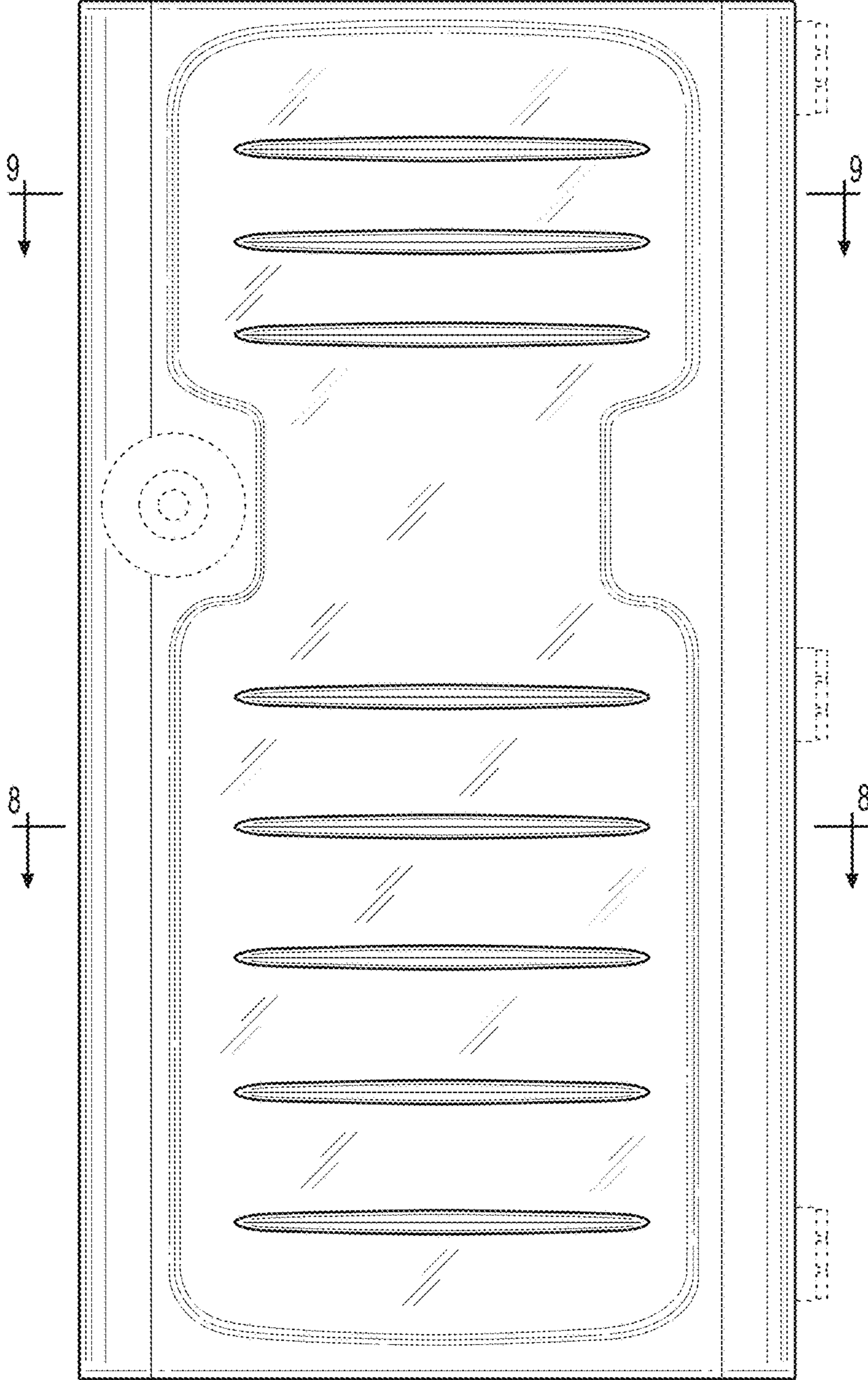


FIG. 2

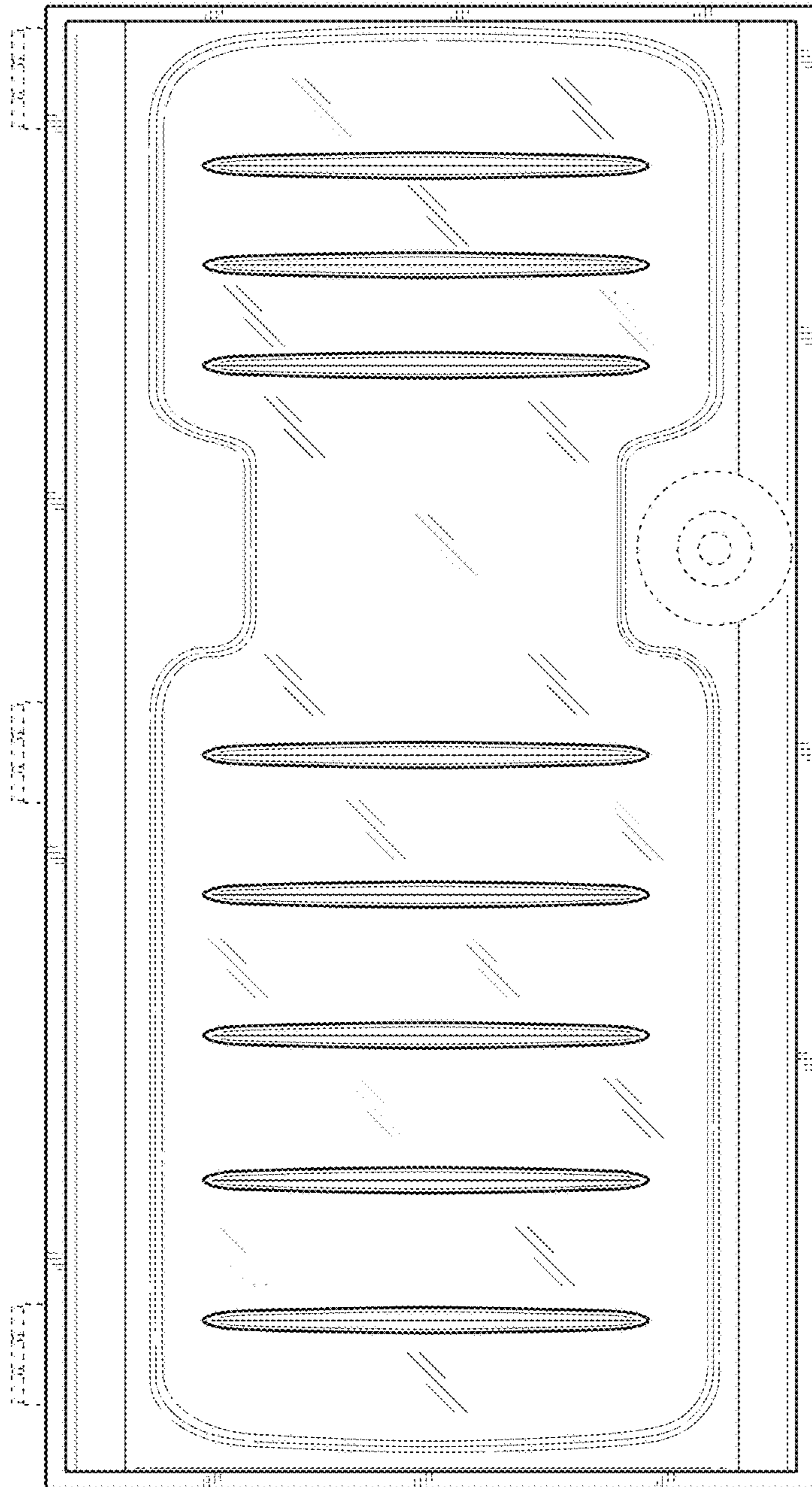


FIG. 3

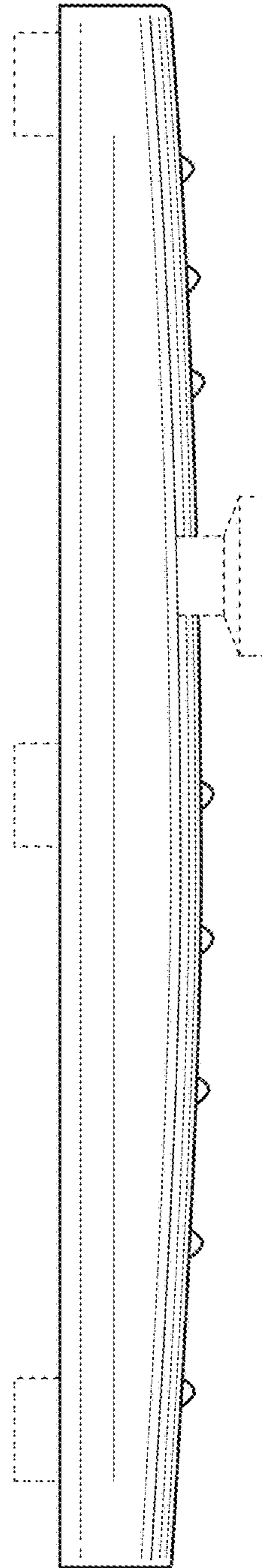


FIG. 4

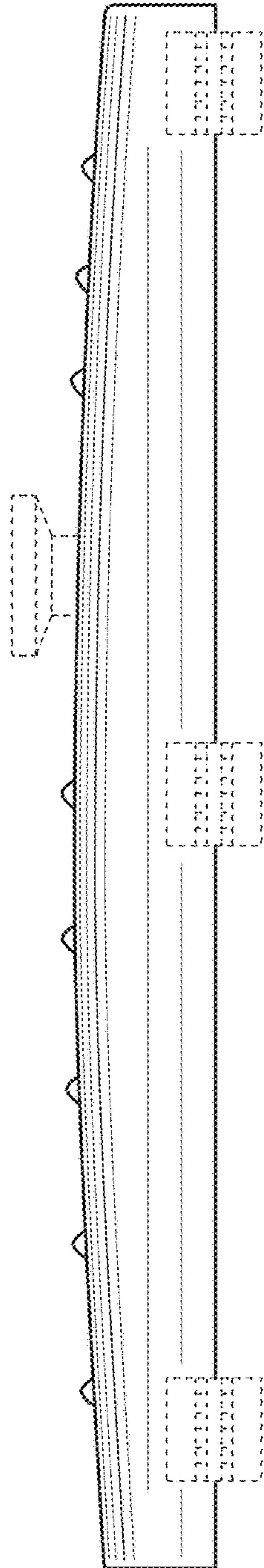


FIG. 5

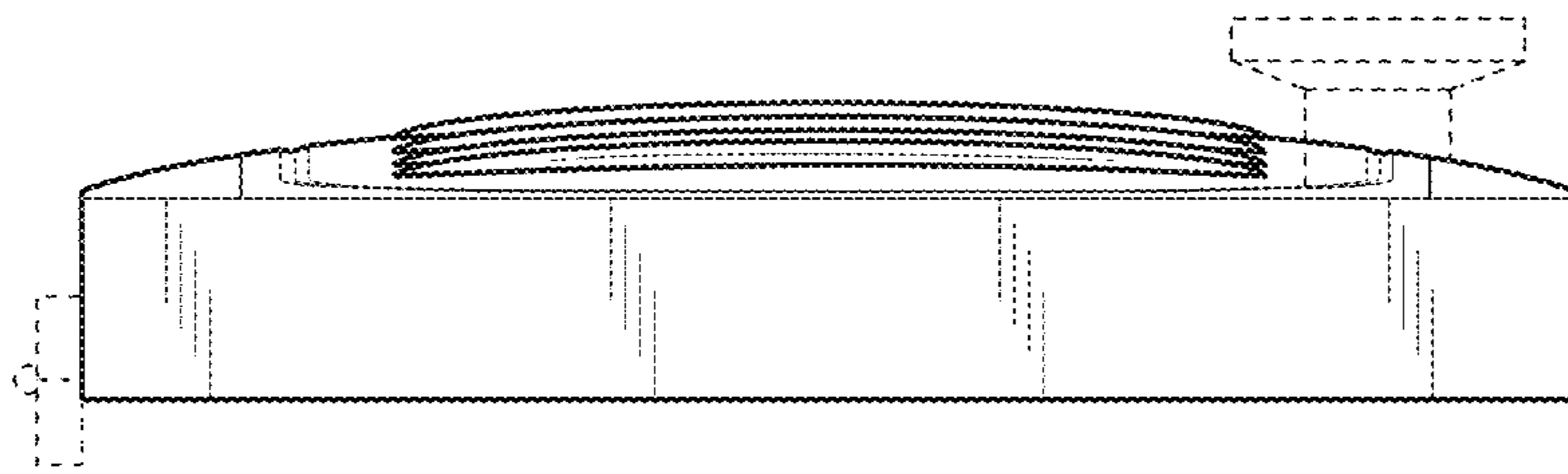


FIG. 6

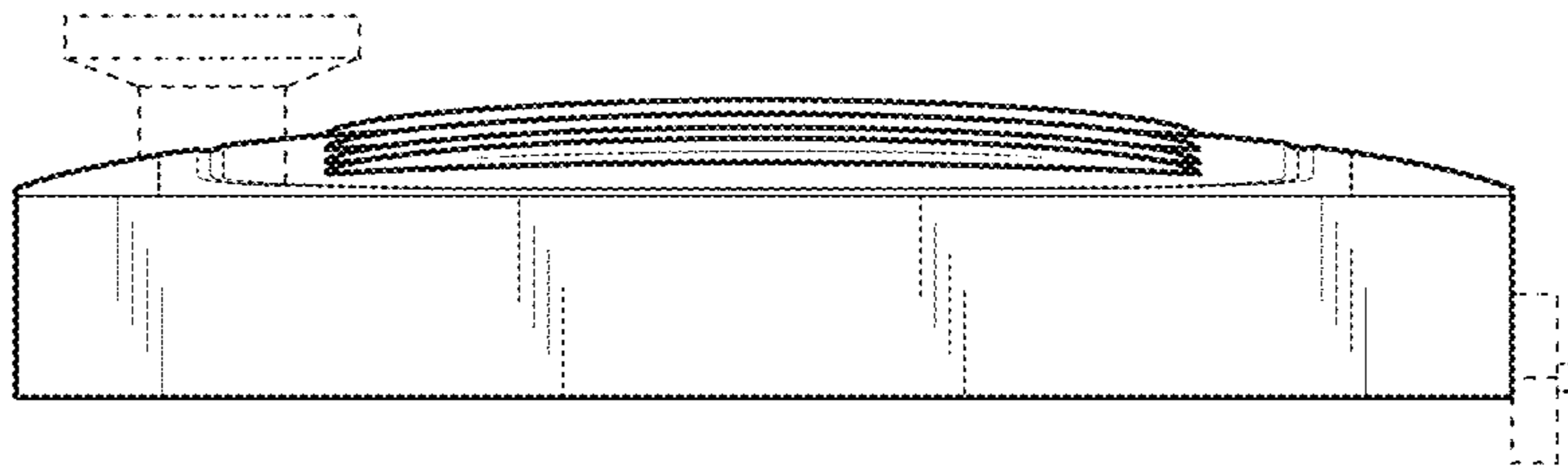


FIG. 7

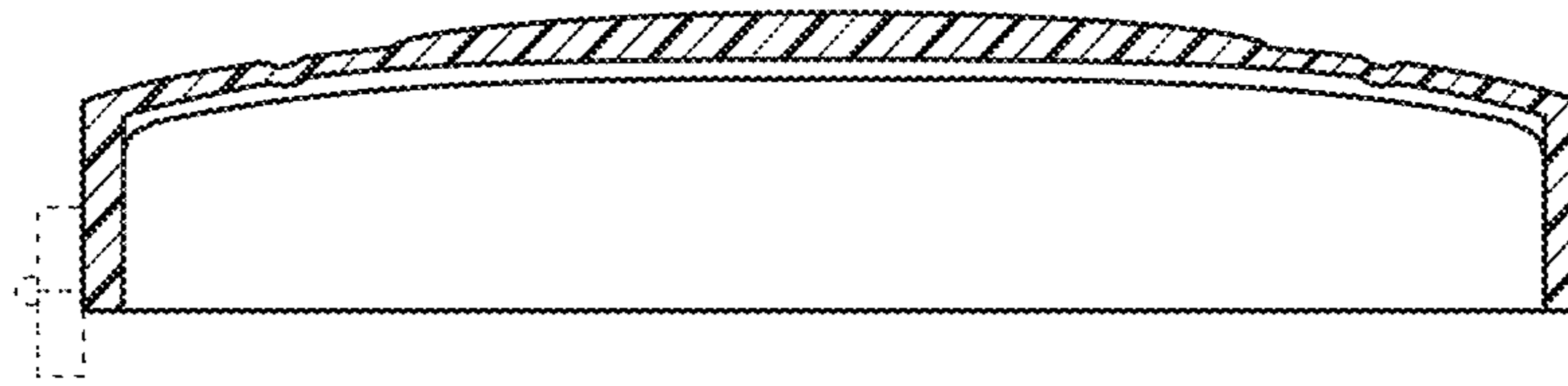


FIG. 8

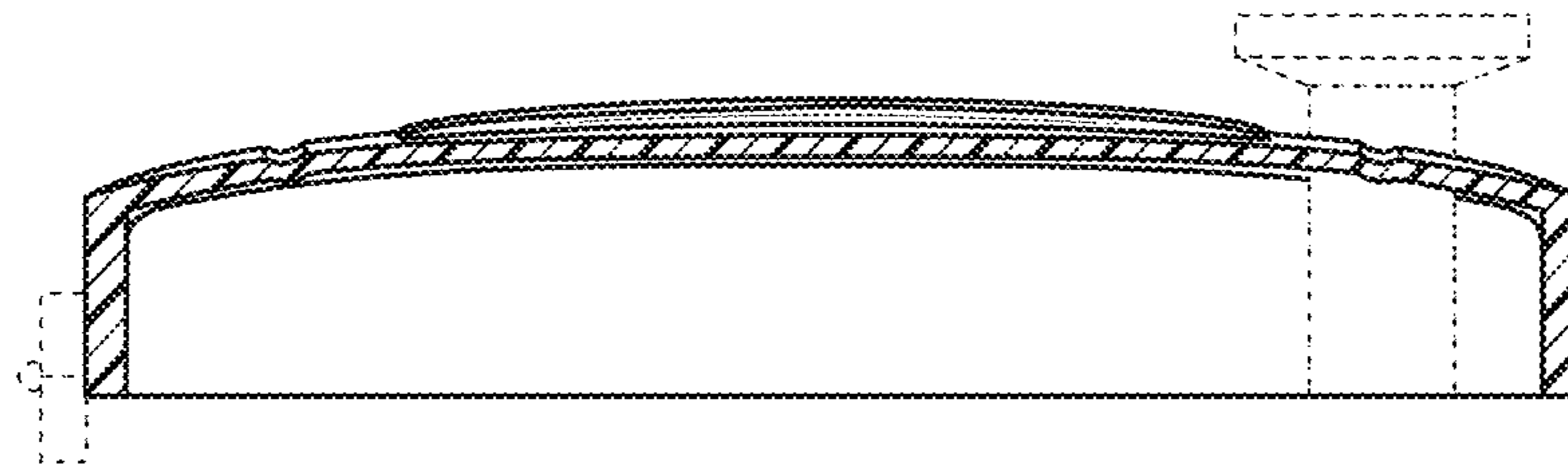


FIG. 9

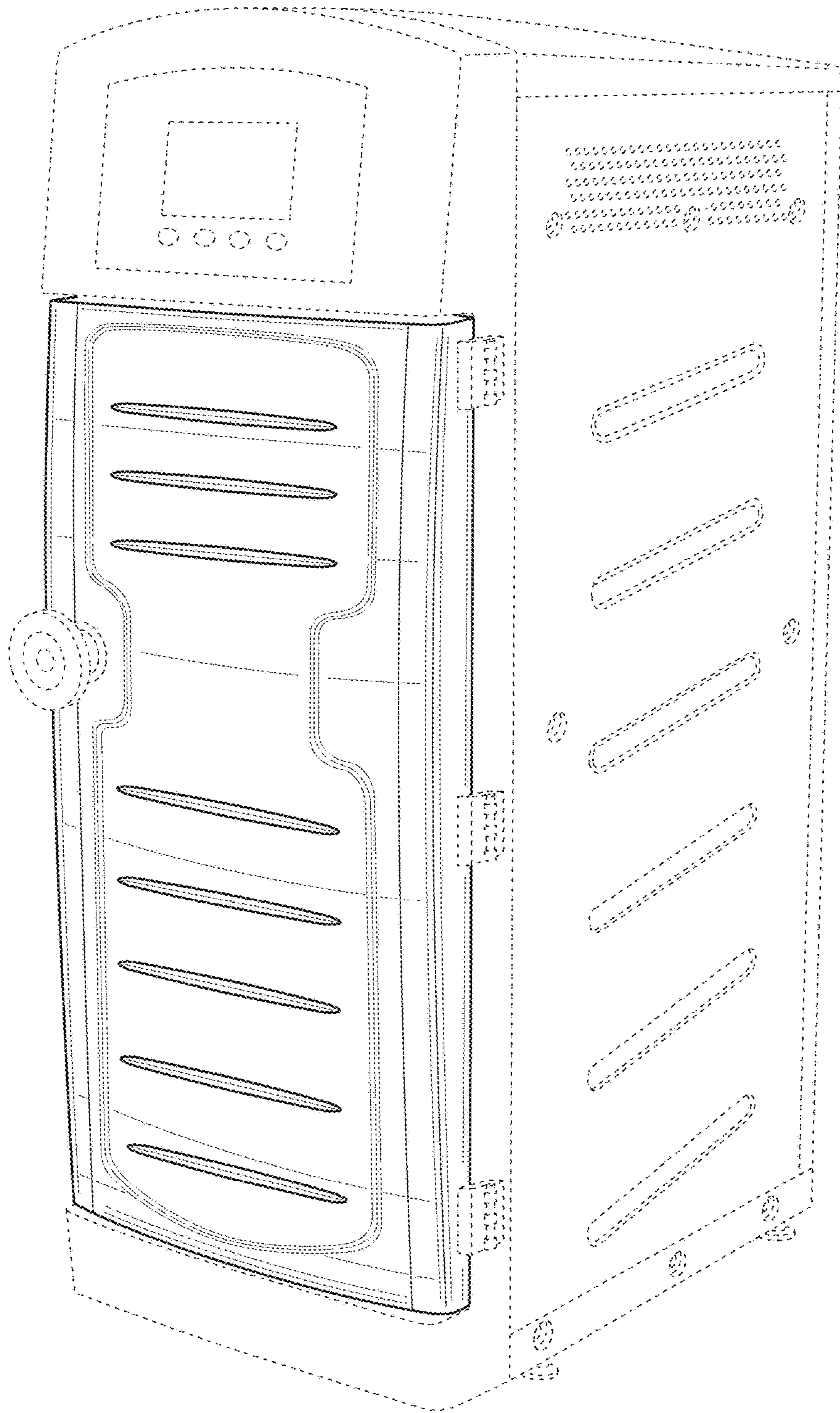


FIG. 10

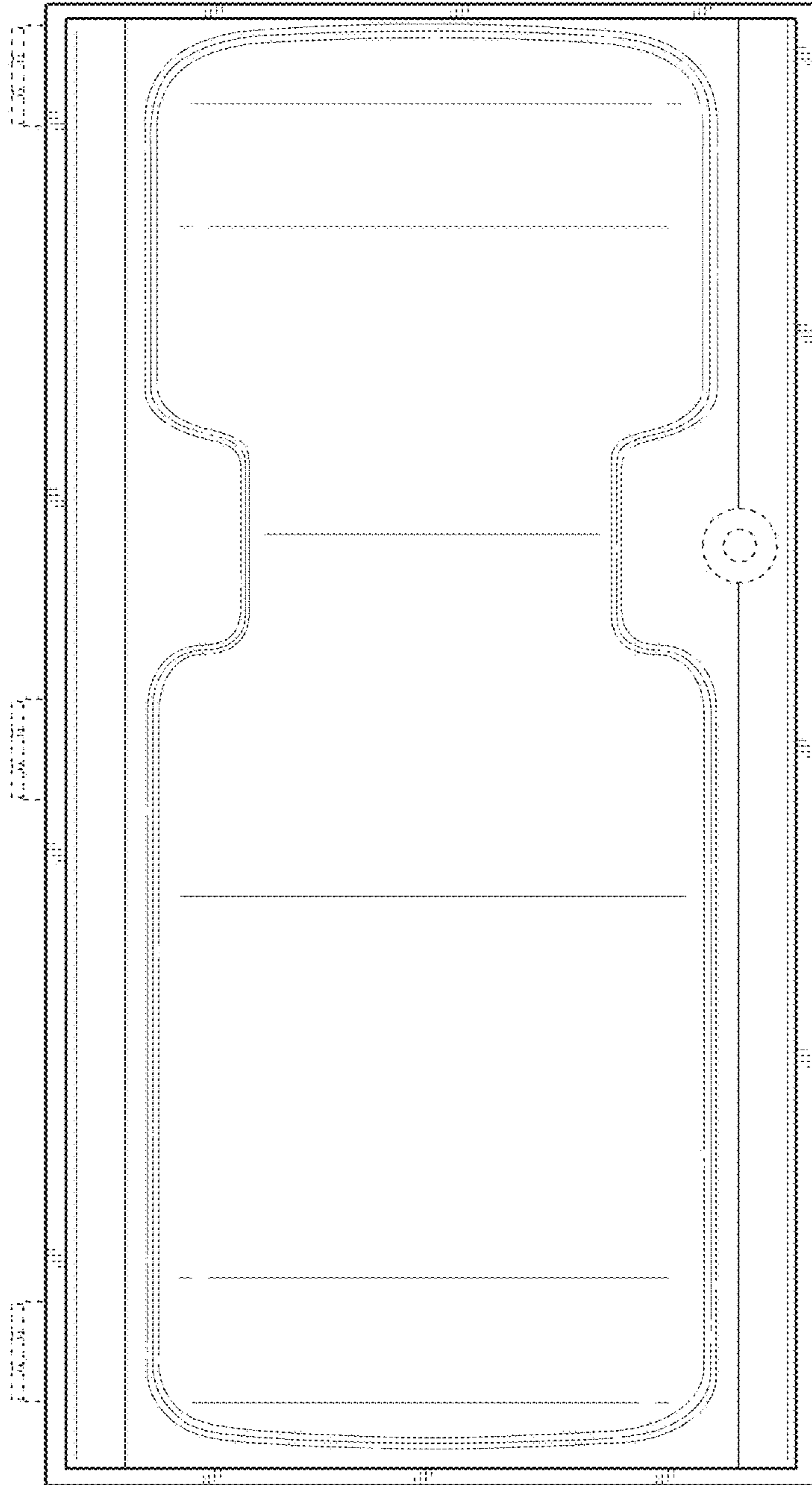


FIG. 12

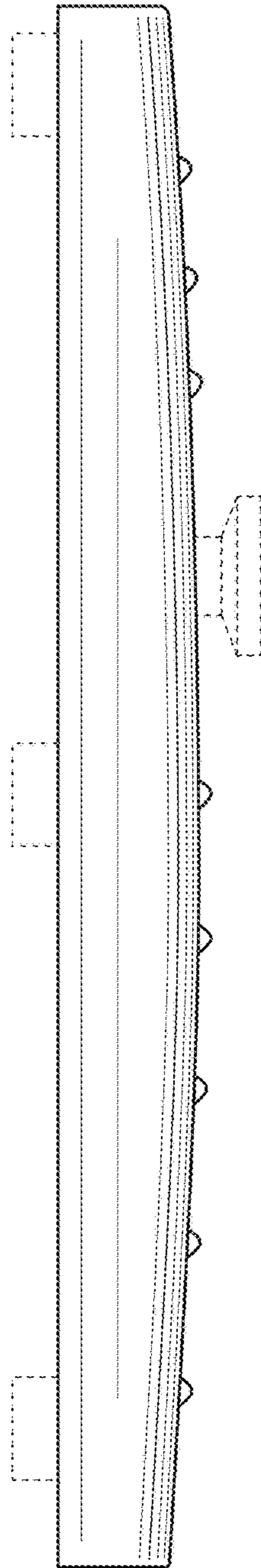


FIG. 13

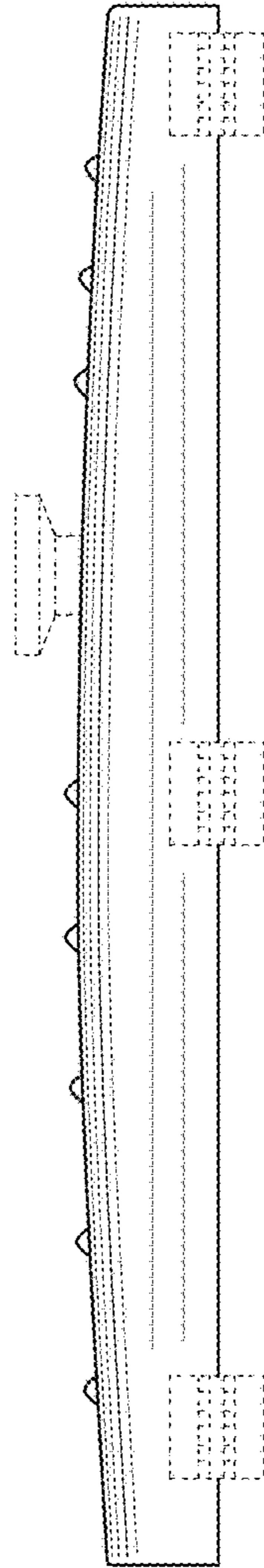


FIG. 14

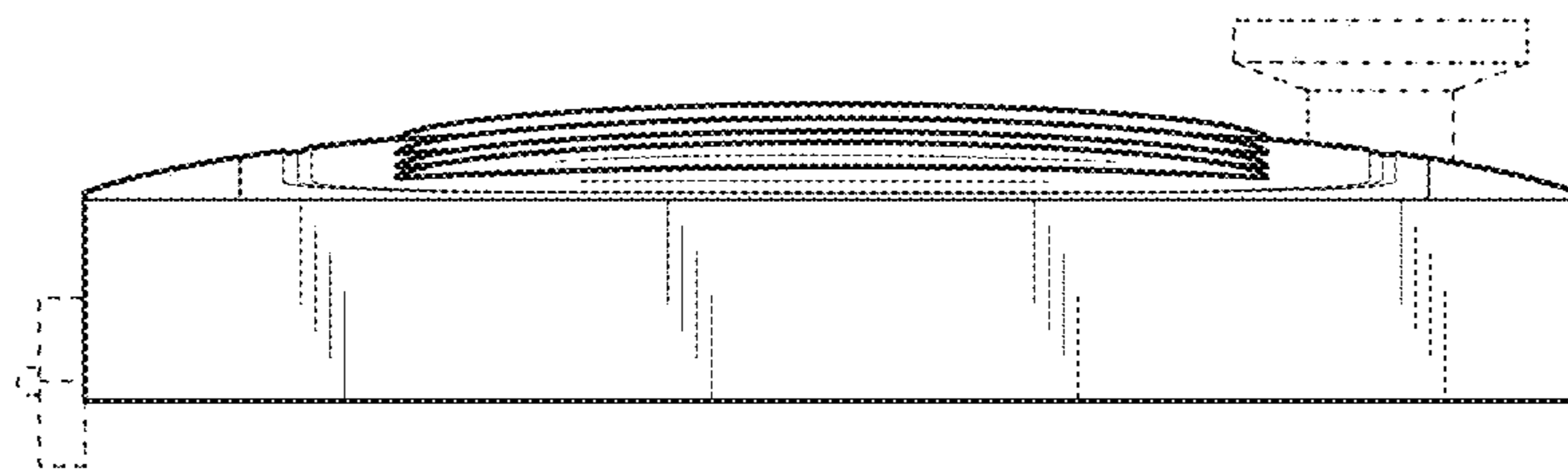


FIG. 15

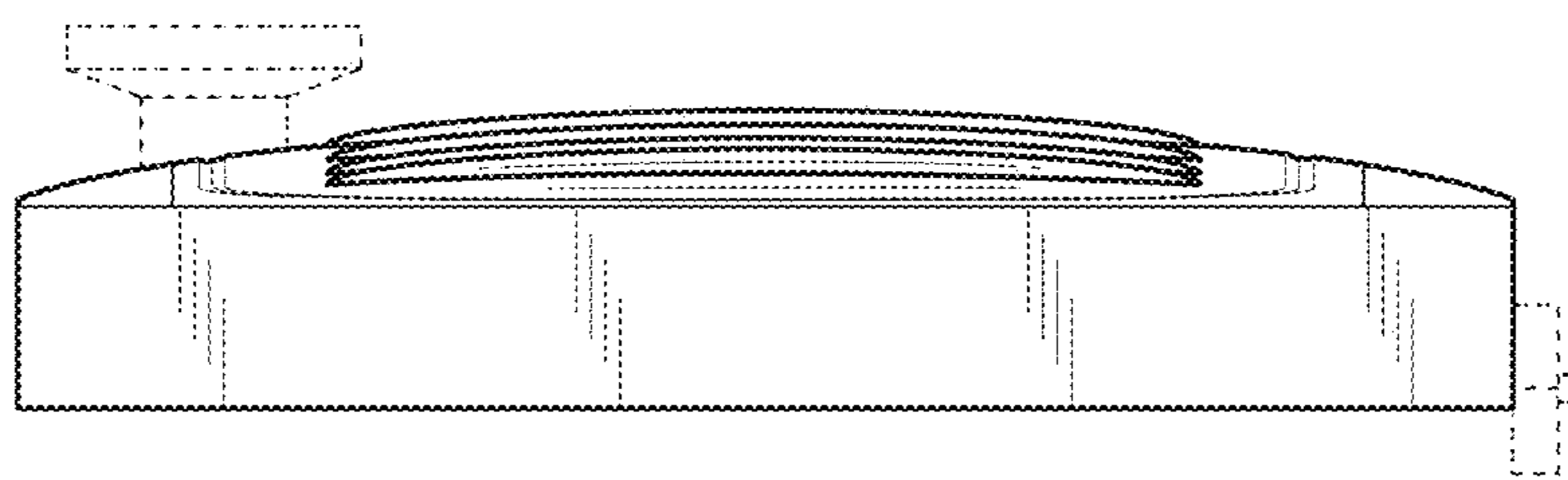


FIG. 16

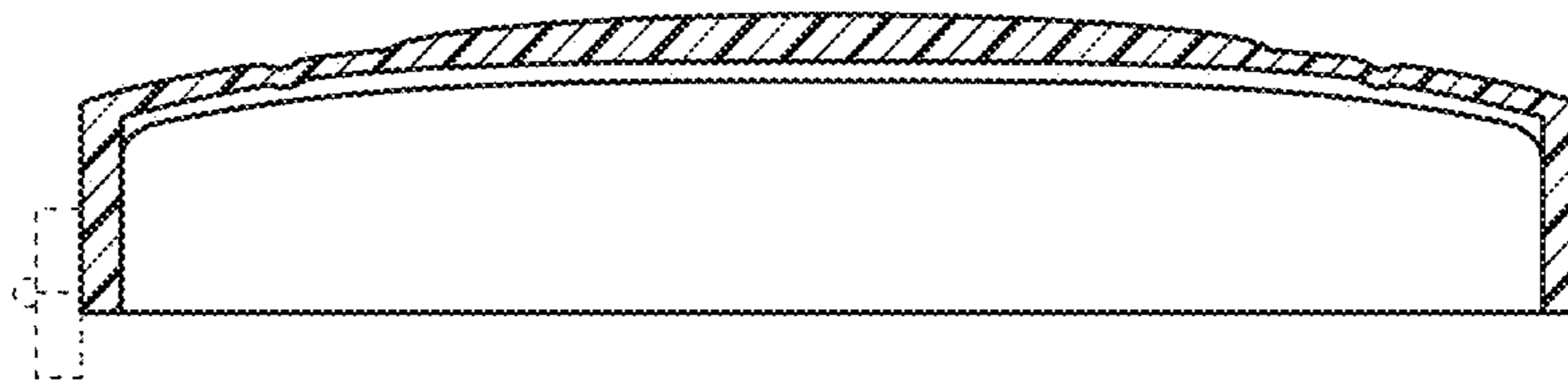


FIG. 17

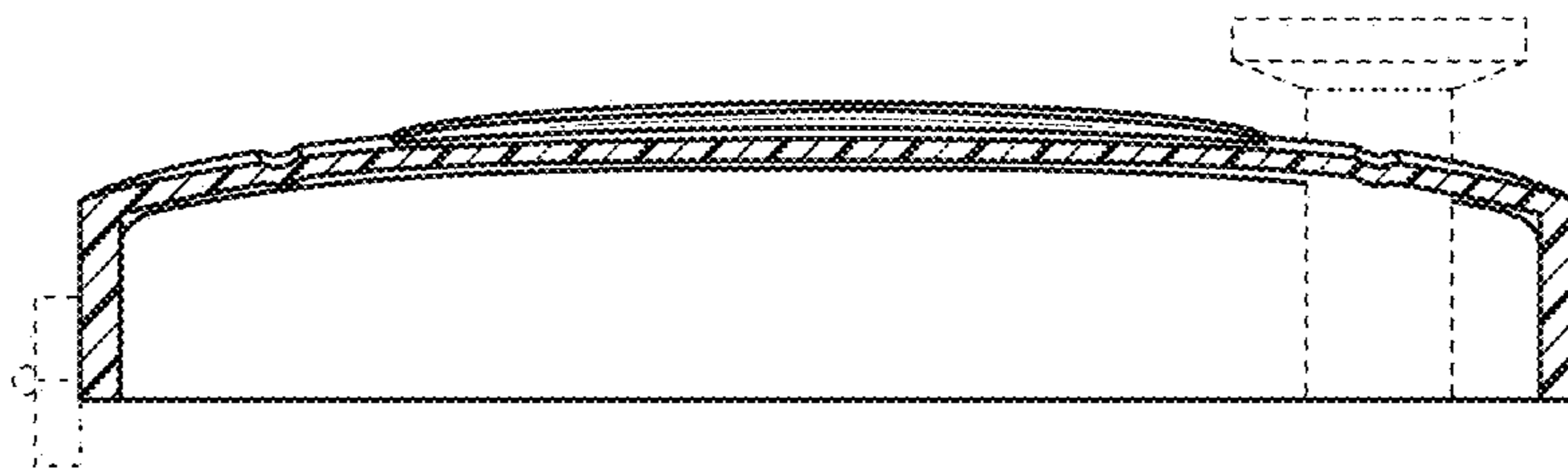


FIG. 18