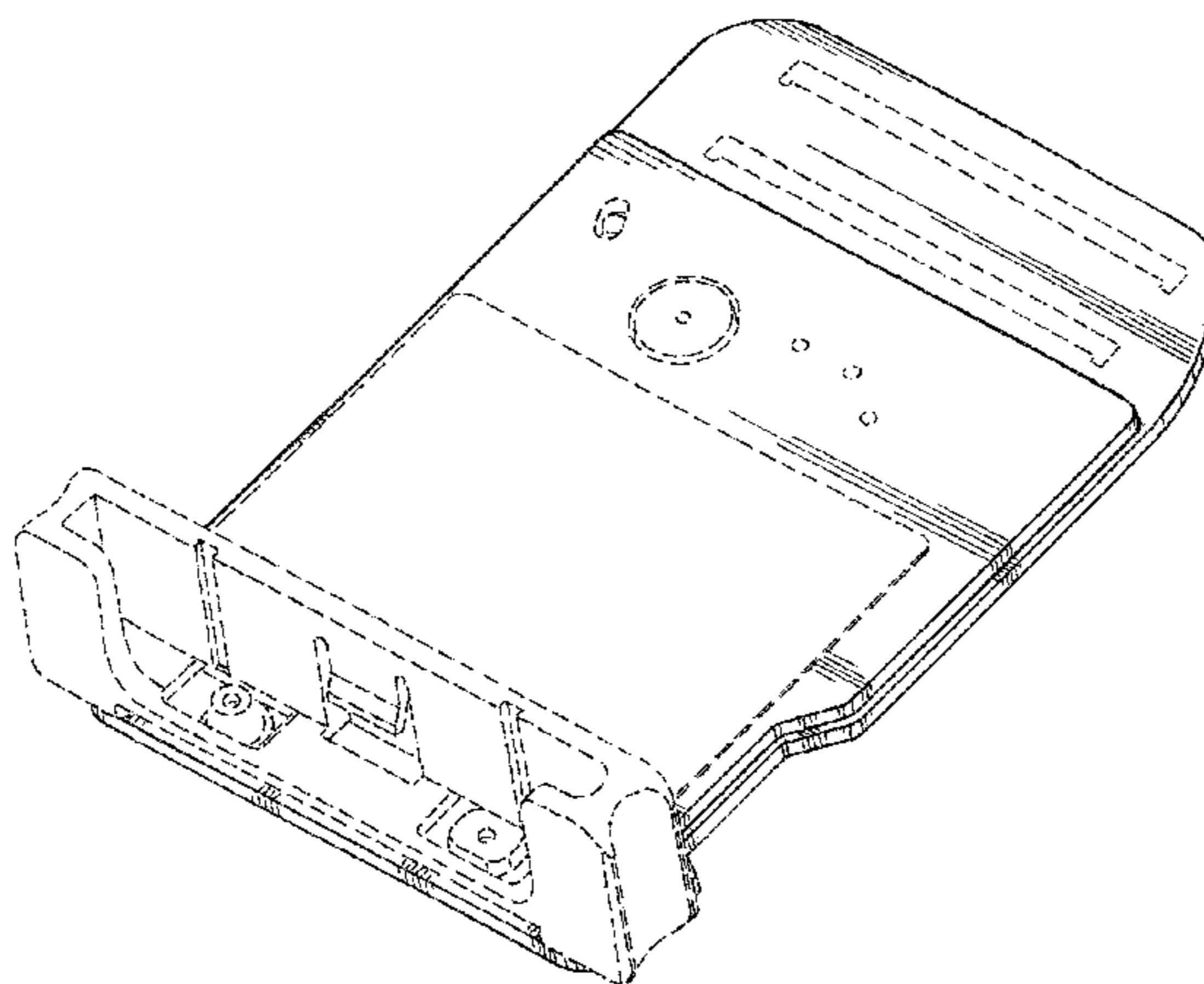




US00D817511S

(12) **United States Design Patent** (10) **Patent No.:** **US D817,511 S**
Taylor et al. (45) **Date of Patent:** **** May 8, 2018**

- (54) **MULTI-LAYERED SAMPLE CASSETTE** 4,318,994 A 3/1982 Meyer et al.
4,453,807 A 6/1984 Faulkner et al.
4,517,302 A 5/1985 Saros
D292,229 S 10/1987 Knudson et al.
D302,294 S 7/1989 Hillman et al.
4,963,498 A 10/1990 Hillman et al.
5,051,237 A 9/1991 Greener et al.
D328,135 S * 7/1992 Fan D24/223
5,219,762 A 6/1993 Katamine et al.
D337,164 S * 7/1993 Lauks D24/223
5,268,147 A 12/1993 Zabetakis et al.
5,279,791 A 1/1994 Aldrich et al.
5,286,454 A 2/1994 Nilsson et al.
D351,913 S 10/1994 Hieb et al.
5,376,252 A 12/1994 Ekström et al.
5,478,751 A 12/1995 Oosta et al.
5,486,335 A 1/1996 Wilding et al.
5,571,410 A 11/1996 Swedberg et al.
5,627,041 A 5/1997 Shartle
5,635,358 A 6/1997 Wilding et al.
5,637,469 A 6/1997 Wilding et al.
D382,647 S 8/1997 Staples
5,726,026 A 3/1998 Wilding et al.
5,731,212 A 3/1998 Gavin et al.
D395,708 S 6/1998 Shartle
5,866,345 A 2/1999 Wilding et al.
5,876,675 A 2/1999 Kennedy
5,932,799 A 8/1999 Moles
5,942,443 A 8/1999 Parce et al.
5,955,028 A 9/1999 Chow
5,957,579 A 9/1999 Kopf-Sill et al.
6,019,944 A 2/2000 Buechler
6,042,709 A 3/2000 Parce et al.
6,046,056 A 4/2000 Parce et al.
6,073,482 A 6/2000 Moles
6,103,199 A 8/2000 Bjornson et al.
6,114,122 A 9/2000 Besemer et al.
6,136,272 A 10/2000 Weigl et al.
6,146,489 A 11/2000 Wirth
6,146,589 A 11/2000 Chandler
6,168,948 B1 1/2001 Anderson et al.
6,175,420 B1 1/2001 Barry et al.
6,176,962 B1 1/2001 Soane et al.
6,184,029 B1 2/2001 Wilding et al.
6,186,660 B1 2/2001 Kopf-Sill et al.
6,214,560 B1 4/2001 Yguerabide et al.
6,238,538 B1 5/2001 Parce et al.
6,241,560 B1 6/2001 Furusawa et al.
6,251,343 B1 6/2001 Dubrow et al.
D445,909 S 7/2001 Pogorzelski
6,274,337 B1 8/2001 Parce et al.
6,293,012 B1 9/2001 Moles
6,296,020 B1 10/2001 McNeely et al.
- (71) Applicant: **OPKO Diagnostics, LLC**, Woburn, MA (US)
- (72) Inventors: **Jason Taylor**, Windham, NH (US); **Matthew Dirckx**, Somerville, MA (US); **David Steinmiller**, Menlo Park, CA (US); **Vincent Linder**, Tewksbury, MA (US)
- (73) Assignee: **OPKO Diagnostics, LLC**, Woburn, MA (US)
- (**) Term: **15 Years**
- (21) Appl. No.: **29/609,482**
- (22) Filed: **Jun. 30, 2017**
- Related U.S. Application Data**
- (62) Division of application No. 29/535,749, filed on Aug. 10, 2015, now Pat. No. Des. 804,682.
- (51) **LOC (11) Cl.** **24-02**
- (52) **U.S. Cl.**
USPC **D24/225**
- (58) **Field of Classification Search**
USPC D24/216, 217, 223, 224, 225, 226, 227, D24/229, 232, 233; D10/81
CPC .. B01D 57/02; B01F 11/0071; B01F 13/0071; B01F 15/0264; B01F 15/0646; B01J 19/0046; B01J 19/0093; B01L 3/502; B01L 3/5023; B01L 3/5025; B01L 3/502715; B01L 3/502723; B01L 3/50273; B01L 3/502738; B01L 3/502776; B01L 3/5083; B01L 3/50855; B01L 9/527; G01N 21/31; G01N 35/025
See application file for complete search history.
- (56) **References Cited**
U.S. PATENT DOCUMENTS
3,735,640 A 5/1973 Chizhov et al.
D243,542 S 3/1977 Fadler et al.



US D817,511 S

6,331,439 B1	12/2001	Cherukuri et al.	8,709,787 B2	4/2014	Handique
6,333,200 B1	12/2001	Kaler et al.	8,797,527 B2	8/2014	Hukari et al.
6,353,475 B1	3/2002	Jensen et al.	8,852,862 B2	10/2014	Wu et al.
6,361,958 B1	3/2002	Shieh et al.	D767,782 S *	9/2016	Cao D24/216
6,413,782 B1	7/2002	Parce et al.	2002/0001818 A1	1/2002	Brock
6,416,642 B1	7/2002	Alajoki et al.	2002/0019059 A1	2/2002	Chow et al.
D462,125 S	8/2002	Pham	2002/0071788 A1	6/2002	Fujii et al.
6,429,025 B1	8/2002	Parce et al.	2002/0092767 A1	7/2002	Bjornson et al.
6,432,720 B2	8/2002	Chow	2002/0142618 A1	10/2002	Parce et al.
6,454,924 B2	9/2002	Jedrzejewski et al.	2002/0199094 A1	12/2002	Strand et al.
6,479,299 B1	11/2002	Parce et al.	2003/0012697 A1	1/2003	Hahn et al.
6,488,872 B1	12/2002	Beebe et al.	2003/0082081 A1	5/2003	Fouillet et al.
6,488,894 B1	12/2002	Miethe et al.	2003/0118486 A1	6/2003	Zhou et al.
6,488,896 B2	12/2002	Weigl et al.	2003/0124623 A1	7/2003	Yager et al.
6,495,104 B1	12/2002	Unno et al.	2003/0138969 A1	7/2003	Jakobsen et al.
6,551,841 B1	4/2003	Wilding et al.	2003/0180824 A1	9/2003	Mpock et al.
6,610,499 B1	8/2003	Fulwyler et al.	2003/0207328 A1	11/2003	Yguerabide et al.
6,613,512 B1	9/2003	Kopf-Sill et al.	2004/0077074 A1	4/2004	Ackley et al.
6,613,525 B2	9/2003	Nelson et al.	2004/0115094 A1	6/2004	Gumbrecht et al.
6,620,625 B2	9/2003	Wolk et al.	2004/0141887 A1	7/2004	Mainquist et al.
6,632,619 B1	10/2003	Harrison et al.	2004/0228771 A1	11/2004	Zhou et al.
6,638,482 B1	10/2003	Ackley et al.	2005/0014248 A1	1/2005	Canton
6,656,430 B2	12/2003	Sheppard, Jr. et al.	2005/0118073 A1	6/2005	Facer et al.
6,656,431 B2	12/2003	Holl et al.	2005/0161669 A1	7/2005	Jovanovich et al.
6,669,831 B2	12/2003	Chow et al.	2005/0221281 A1	10/2005	Ho
6,705,357 B2	3/2004	Jeon et al.	2005/0238545 A1	10/2005	Parce et al.
6,709,869 B2	3/2004	Mian et al.	2005/0255003 A1	11/2005	Summersgill et al.
6,716,620 B2	4/2004	Bashir et al.	2006/0002827 A1	1/2006	Curcio et al.
6,742,661 B1	6/2004	Schulte et al.	2006/0076482 A1	4/2006	Hobbs et al.
6,761,962 B2	7/2004	Bentsen et al.	2006/0094119 A1	5/2006	Ismagilov et al.
6,780,584 B1	8/2004	Edman et al.	2006/0202133 A1	9/2006	Ok et al.
D495,805 S	9/2004	Lea	2006/0257992 A1	11/2006	McDevitt et al.
6,794,197 B1	9/2004	Indermuhle et al.	2006/0275852 A1	12/2006	Montagu
6,818,184 B2	11/2004	Fulwyler et al.	2007/0003434 A1	1/2007	Padmanabhan et al.
6,827,095 B2	12/2004	O'Connor et al.	2007/0009386 A1	1/2007	Padmanabhan et al.
6,828,143 B1	12/2004	Bard	2007/0031289 A1	2/2007	Cox et al.
6,830,936 B2	12/2004	Anderson et al.	2007/0048189 A1	3/2007	Cox et al.
6,858,185 B1	2/2005	Kopf-Sill et al.	2007/0120903 A1	5/2007	Takagi
6,878,271 B2	4/2005	Gilbert et al.	2007/0172388 A1	7/2007	Padmanabhan et al.
6,878,755 B2	4/2005	Singh et al.	2007/0298433 A1	12/2007	Sia et al.
6,919,045 B1	7/2005	Berndt	2008/0056948 A1*	3/2008	Dale B01F 13/0059
6,937,330 B2	8/2005	Dietz et al.			422/68.1
6,949,377 B2	9/2005	Ho	2008/0085219 A1	4/2008	Beebe et al.
6,953,550 B2	10/2005	Sheppard, Jr. et al.	2008/0248590 A1	10/2008	Gulliksen et al.
6,987,263 B2	1/2006	Hobbs et al.	2009/0022625 A1	1/2009	Lee et al.
6,989,128 B2	1/2006	Alajoki et al.	2009/0023201 A1	1/2009	Hongo et al.
7,005,292 B2	2/2006	Wilding et al.	2009/0156966 A1	6/2009	Kontschieder et al.
7,015,046 B2	3/2006	Wohlstadter et al.	2010/0002293 A1	1/2010	McLellan et al.
7,018,830 B2	3/2006	Wilding et al.	2010/0027008 A1	2/2010	Bornhop et al.
7,067,263 B2	6/2006	Parce et al.	2010/0216126 A1*	8/2010	Balachandran B01F 13/0059
7,087,148 B1	8/2006	Blackburn et al.			435/6.11
7,091,048 B2	8/2006	Farce et al.			
D531,321 S	10/2006	Godfrey	2010/0291588 A1*	11/2010	McDevitt B01L 3/502715
D540,953 S	4/2007	Ramel			435/7.2
7,235,406 B1	6/2007	Woudenberg et al.	2011/0008223 A1*	1/2011	Tsao B01L 3/502715
7,323,660 B2	1/2008	Bedingham et al.			422/502
D566,291 S *	4/2008	Parunak D24/224	2011/0268630 A1	11/2011	Williams et al.
7,678,576 B2	3/2010	Sasaki et al.			
7,682,833 B2 *	3/2010	Miller B01L 3/502707			
		422/537			
7,704,735 B2 *	4/2010	Facer B01L 3/50273			
		435/303.1			
7,708,950 B2	5/2010	Yamada et al.			
D621,060 S	8/2010	Handique			
7,972,778 B2	7/2011	Brown et al.			
7,998,708 B2 *	8/2011	Handique B01L 3/502715			
		435/6.1			
D645,971 S	9/2011	Taylor et al.			
8,047,829 B1	11/2011	Sommer et al.			
D650,911 S	12/2011	Odeh			
8,088,616 B2	1/2012	Handique			
8,202,492 B2	6/2012	Linder et al.			
8,216,853 B2	7/2012	Miller et al.			
D669,594 S	10/2012	Cao et al.			
8,318,439 B2	11/2012	Battrell et al.			
D672,053 S	12/2012	Chen et al.			
8,394,341 B2	3/2013	Reinhardt et al.			
8,420,015 B2	8/2013	Ganesan et al.			
8,580,567 B2	11/2013	Sarofim et al.			

FOREIGN PATENT DOCUMENTS

EP	0 110 771 B1	3/1988
EP	0 643 307 A1	3/1995
EP	1 054 259 A1	11/2000
EP	1 946 830 A1	7/2008
EP	2 071 026 A1	6/2009
WO	WO 91/01003 A1	1/1991
WO	WO 02/22250 A2	3/2002
WO	WO 03/054513 A2	7/2003
WO	WO 2004/087951 A3	10/2004
WO	WO 2005/056186 A1	6/2005
WO	WO 2005/072858 A1	8/2005
WO	WO 2006/018044 A1	2/2006
WO	WO 2006/056787 A1	6/2006
WO	WO 2006/103440 A2	10/2006
WO	WO 2006/113727 A2	10/2006
WO	WO 2007/082480 A1	7/2007
WO	WO 2008/028124 A1	3/2008
WO	WO 2008/118098 A1	10/2008
WO	WO 2008/123112 A1	10/2008

OTHER PUBLICATIONS

Invitation to Pay Additional Fees for PCT/US2008/005577 dated Aug. 19, 2008.

International Search Report and Written Opinion for PCT/US2008/005577 dated Apr. 3, 2009.

International Preliminary Report on Patentability for PCT/US2008/005577 dated Oct. 5, 2009.

[No Author Listed] Proceedings of uTAS 2004, 8th International Conference on Miniaturized Systems in Chemistry and Life Sciences, Sep. 26-30, Malmo, Sweden, Edited by Thomas Laurell, Johan Nilsson, Klavs Jensen, D. Jed Harrison, Jorg P. Kutter, The Royal Society of Chemistry, pp. 1-135 (2004).

Ahn et al., Disposable Smart Lab on a Chip for Point-of-Care Clinical Diagnostics. Proceedings of the IEEE. 2004;92(1): 154-73.

Andersson, et al., Micromachined flow-through filter-chamber for chemical reactions on beads. Sensors and Actuators B. 2000;67:203-08.

Atencia et al., Capillary inserts in microcirculatory systems. Lab Chip. 2006;6: 575-77.

Atencia et al., Steady flow generation in microcirculatory systems. Lab Chip. 2006;6:567-74.

Daridon, et al., Chemical sensing using an integrated microfluidic system based on the Berthelot reaction. Sensors and Actuators B. 2001;76:235-43.

Dodge, et al., Electrokinetically Driven Microfluidic Chips with Surface-Modified Chambers for Heterogeneous Immunoassays. Anal Chem. 2001;73:3400-9.

Fredrickson et al., Macro-to-micro interfaces for microfluidic devices. Lab Chip. 2004;4:526-33.

Grodzinski et al., A Modular Microfluidic System for Cell Pre-concentration and Genetic Sample Preparation. Biomedical Microdevices. 2003;5(4):303-10.

Juncker et al., Autonomous Microfluidic Capillary Systems. Anal Chem. 2002;74:6139-44.

Laksanasopin et al., A smartphone dangle for diagnosis of infectious diseases at the point of care. Sci Transl Med. Feb. 4, 2015;7(273):273re1. doi: 10.1126/scitranslmed.aaa0056.

Linder, et al., Reagent-Loaded Cartridges for Valveless and Automated Fluid Delivery in Microfluidic Devices. Anal Chem. 2005;77(1):64-71.

Moorthy, et al., Microfluidic tectonics platform: A calorimetric, disposable botulinum toxin enzyme-linked immunosorbent assay system. Electrophoresis. 2004;25:1705-13.

Obeid et al., Microfabricated Device for DNA and RNA Amplification by Continuous-Flow Polymerase Chain Reaction and Reverse Transcription-Polymerase Chain Reaction with Cycle Number Selection. Anal Chem. 2003;75:288-95.

Sia et al., An Integrated Approach to a Portable and Low-Cost Immunoassay for Resource-Poor Settings. Angew Chem Int Ed. 2004;43:498-502.

Sia et al., Microfluidic devices fabricated in poly(dimethylsiloxane) for biological studies. Electrophoresis. 2003;24:3563-76.

Song et al., A microfluidic system for controlling reaction networks in time. Angew Chem Int Ed. 2003;42(7):767-72.

Weigl et al., Lab-on-a-chip for drug development. Advanced Drug Delivery Reviews. 2003;55:349-77.

* cited by examiner

Primary Examiner — Ian Simmons

Assistant Examiner — Mark Cavanna

(74) *Attorney, Agent, or Firm* — Wolf, Greenfield & Sacks, P.C.

(57)

CLAIM

The ornamental design for multi-layered sample cassette, as shown and described.

DESCRIPTION

FIG. 1 is a top, front, right side perspective view of a first embodiment of the multilayered sample cassette showing our new design;

FIG. 2 is a top plan view of the embodiment of FIG. 1;

FIG. 3 is a bottom plan view of the embodiment of FIG. 1;

FIG. 4 is a front elevational view of the embodiment of FIG. 1;

FIG. 5 is a rear elevational view of the embodiment of FIG. 1;

FIG. 6 is a left side elevational view of the embodiment of FIG. 1;

FIG. 7 is a right side elevational view of the embodiment of FIG. 1;

FIG. 8 is a top, front, right side perspective view of a second embodiment of the multi-layered sample cassette;

FIG. 9 is a top plan view of the embodiment of FIG. 8;

FIG. 10 is a bottom plan view of the embodiment of FIG. 8;

FIG. 11 is a front elevational view of the embodiment of FIG. 8;

FIG. 12 is a rear elevational view of the embodiment of FIG. 8;

FIG. 13 is a left side elevational view of the embodiment of FIG. 8; and,

FIG. 14 is a right side elevational view of the embodiment of FIG. 8.

The broken lines are included for the purpose of illustrating portions of the multi-layered sample cassette that form no part of the claimed design.

1 Claim, 10 Drawing Sheets

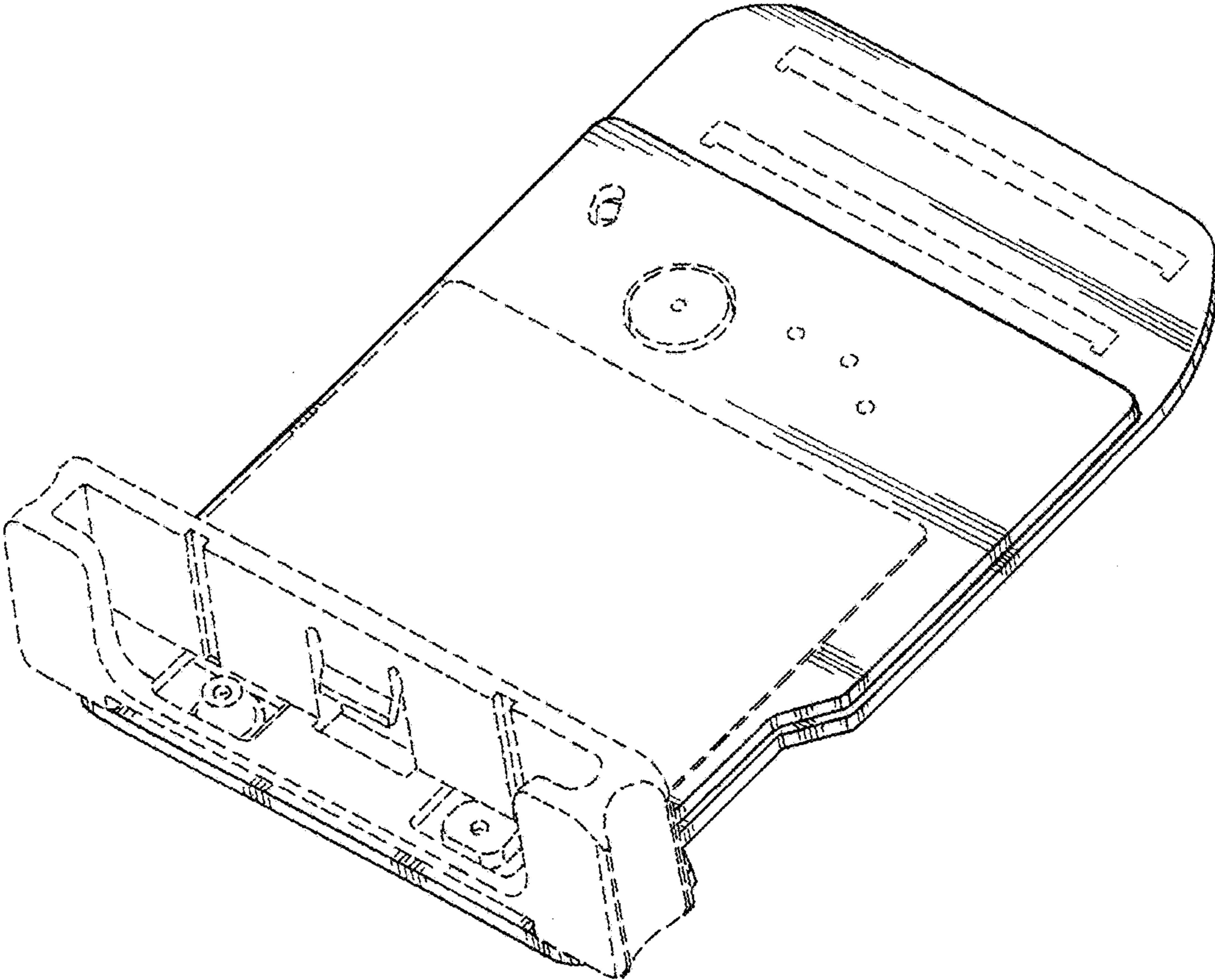


FIG. 1

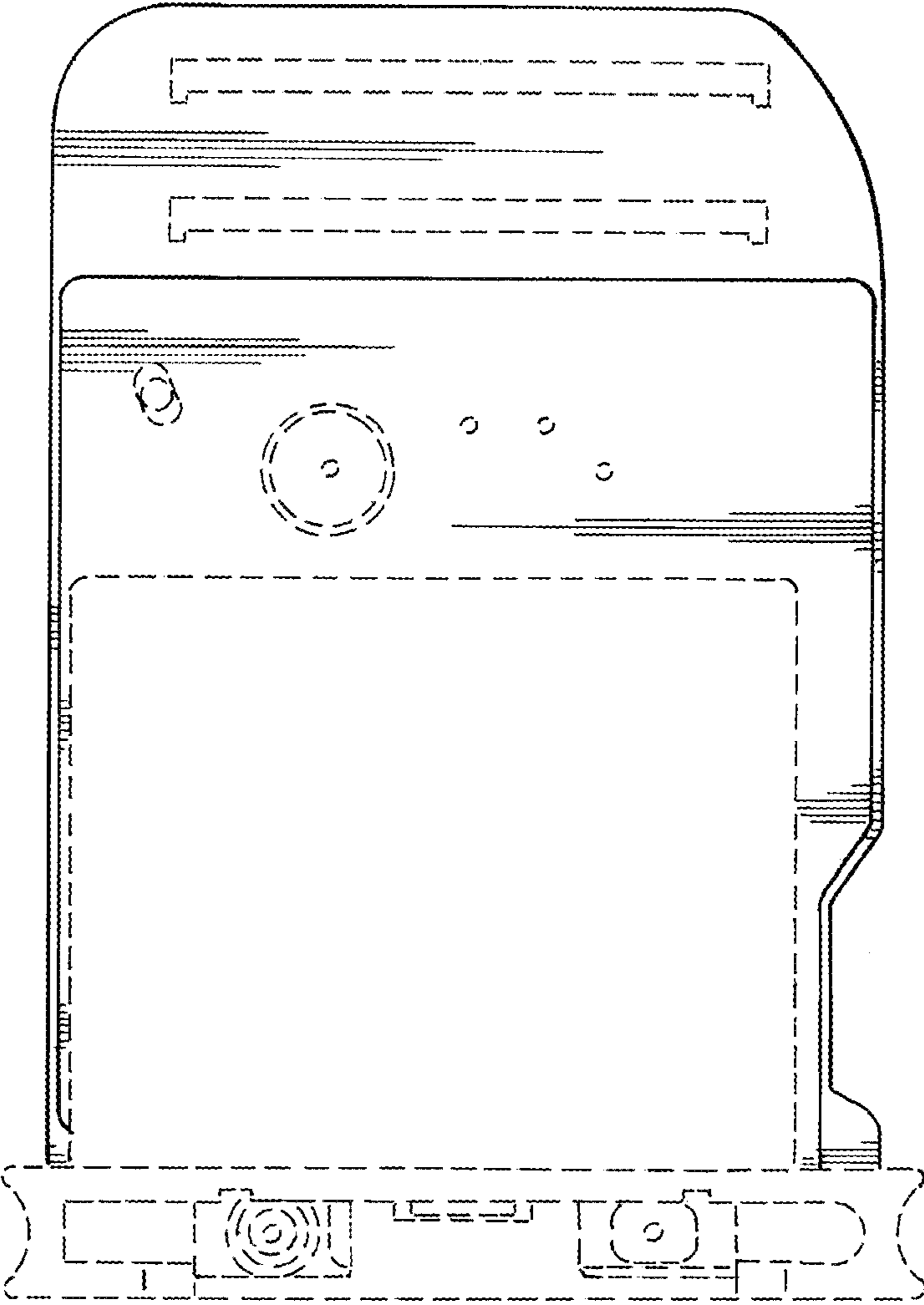


FIG. 2

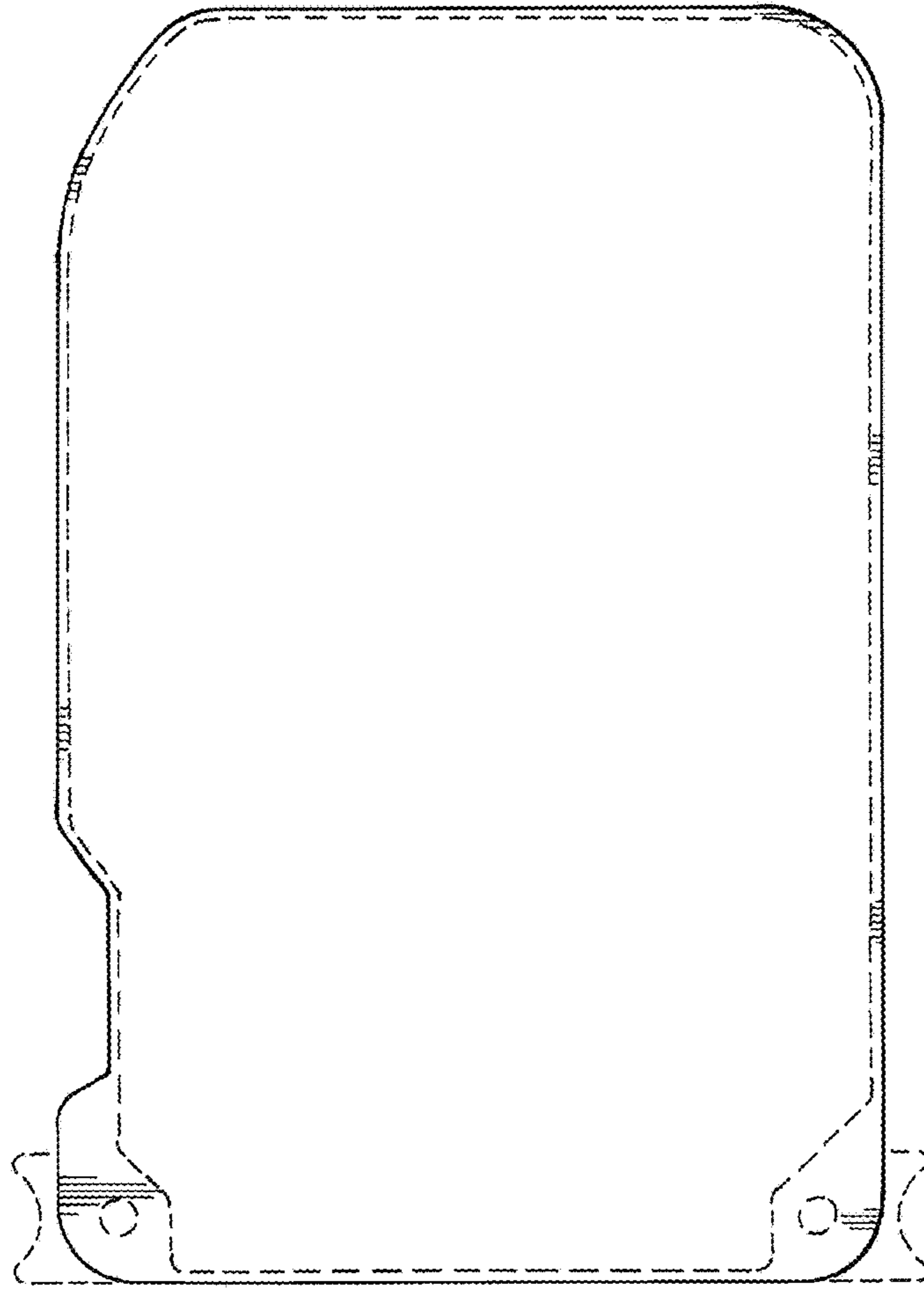


FIG. 3

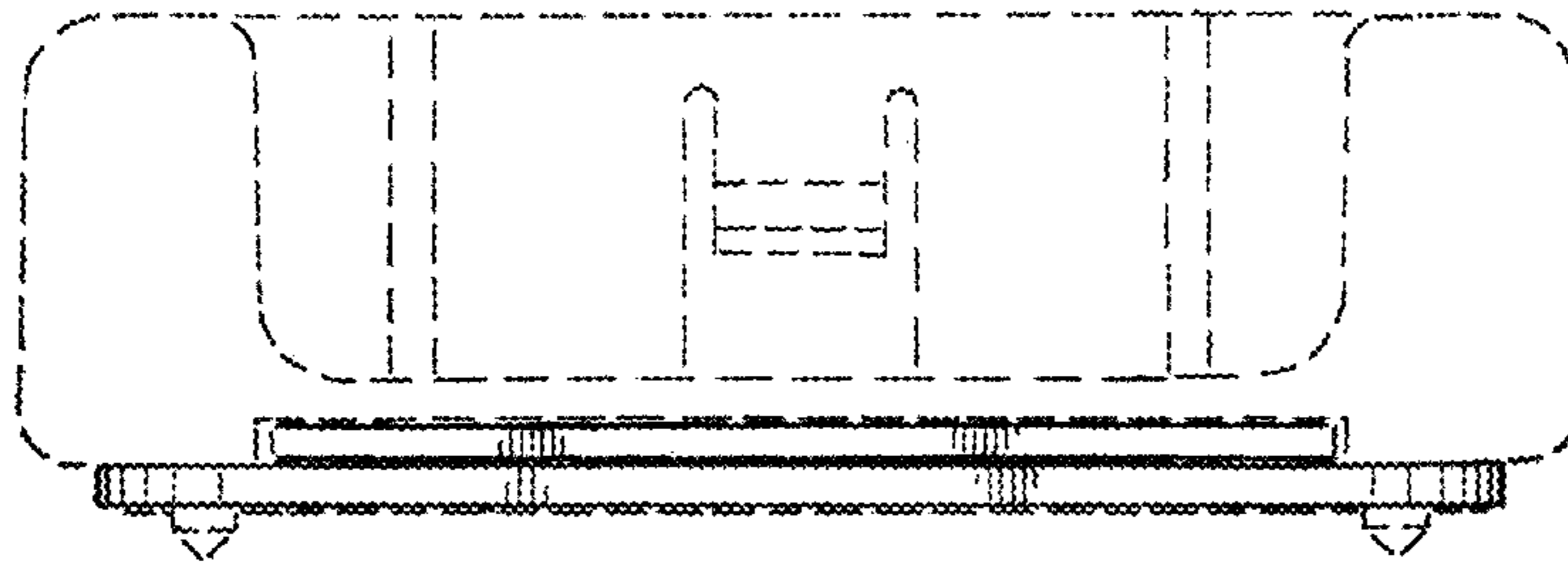


FIG. 4

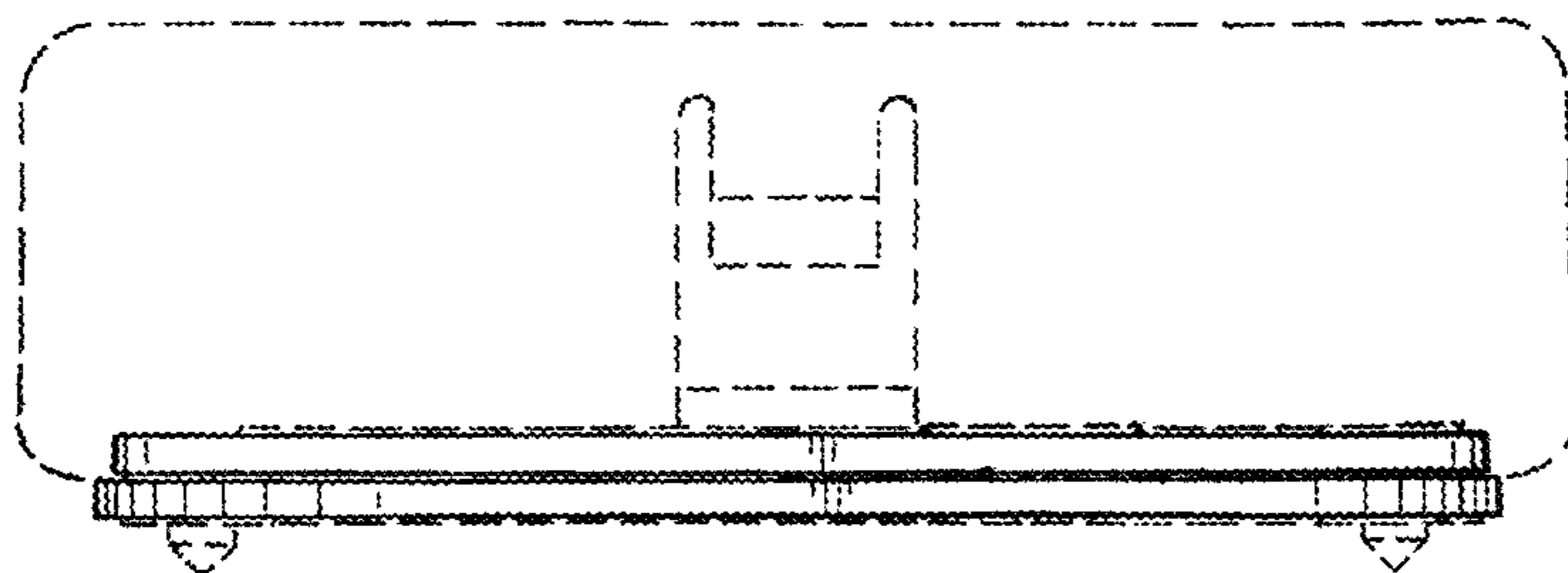


FIG. 5

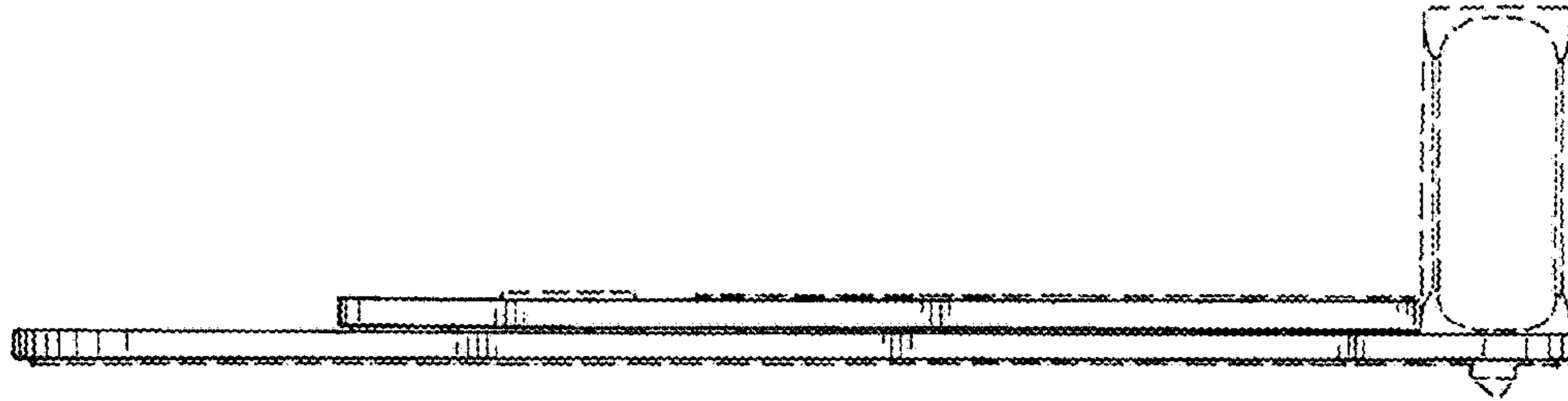


FIG. 6



FIG. 7

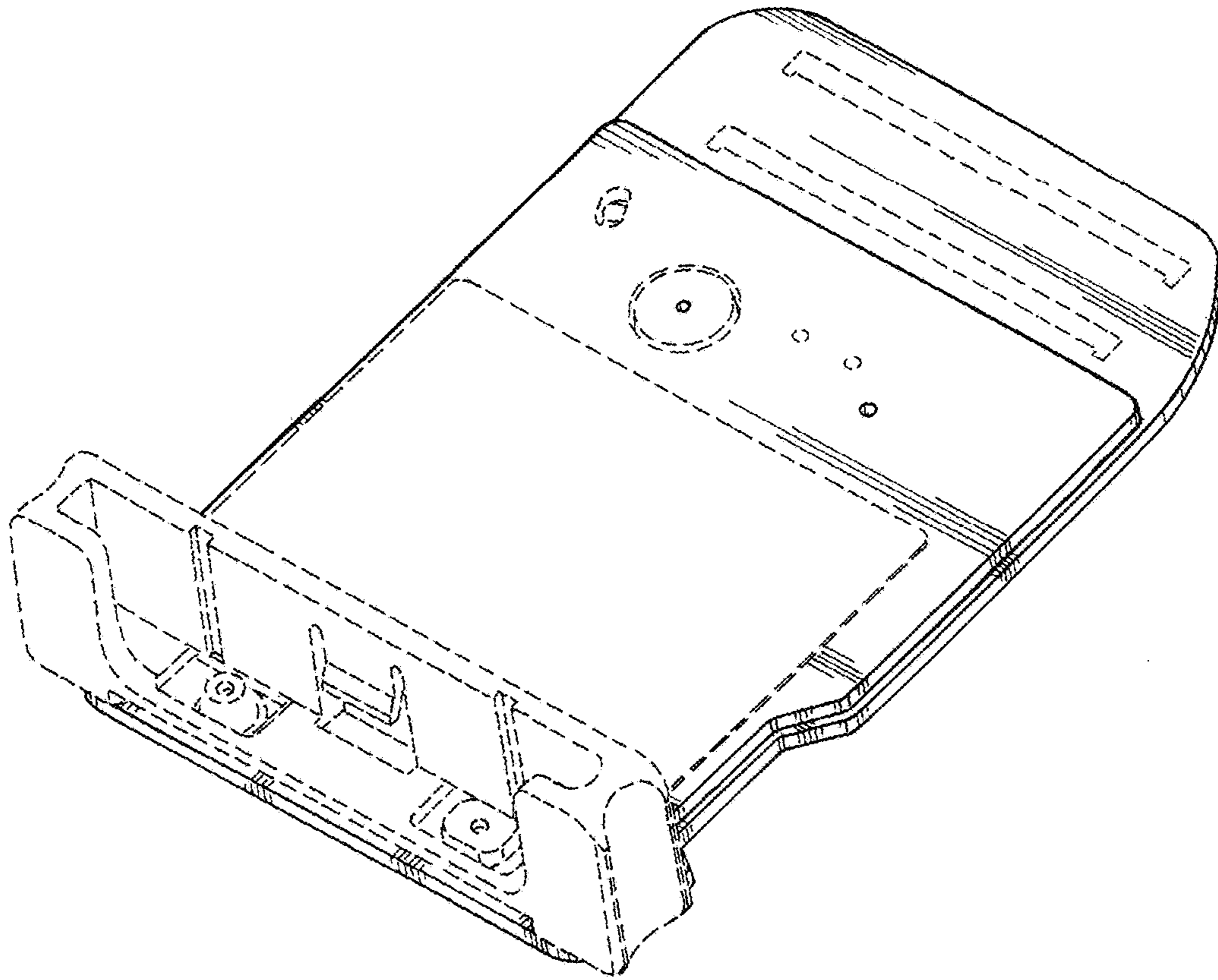


FIG. 8

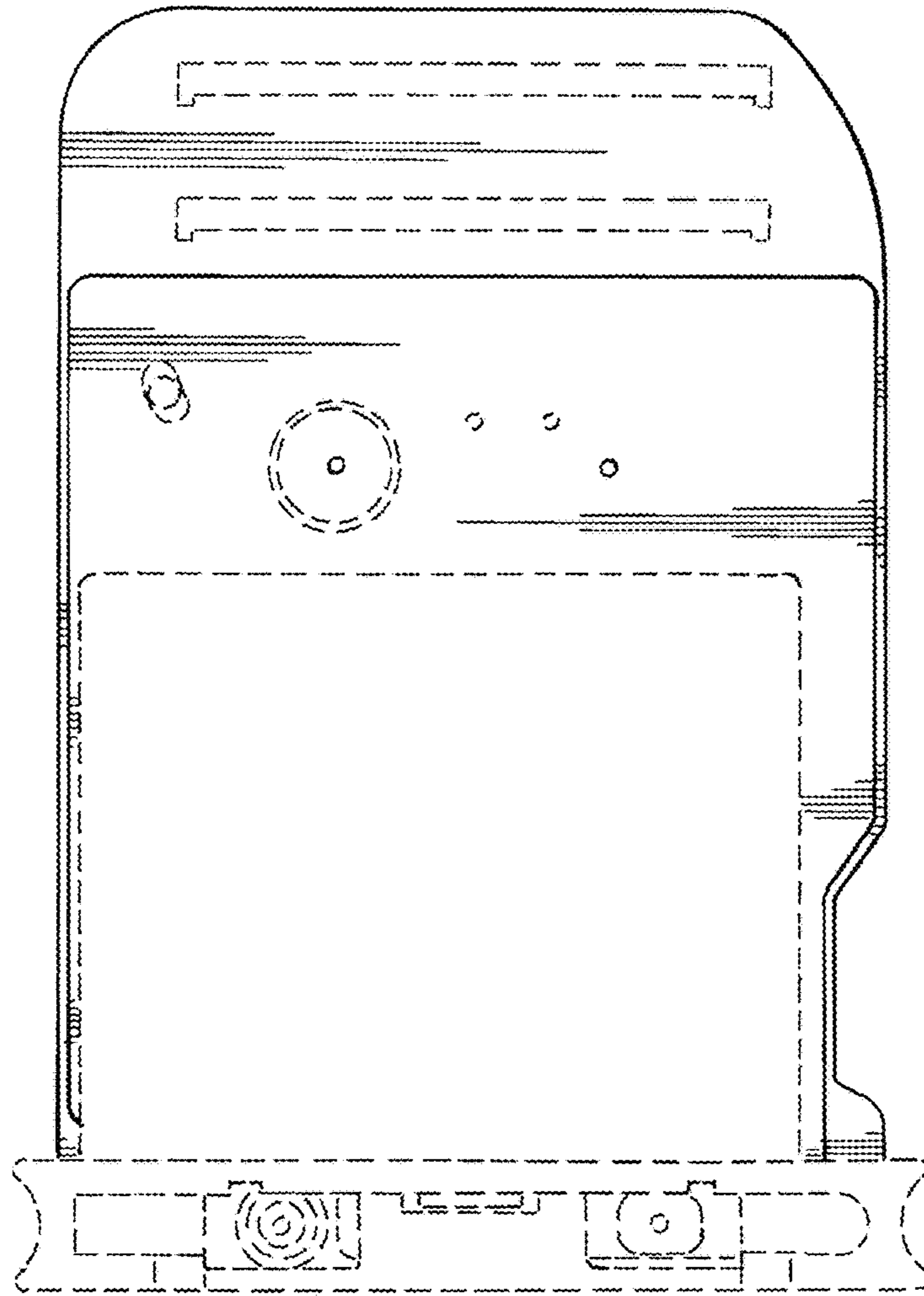


FIG. 9

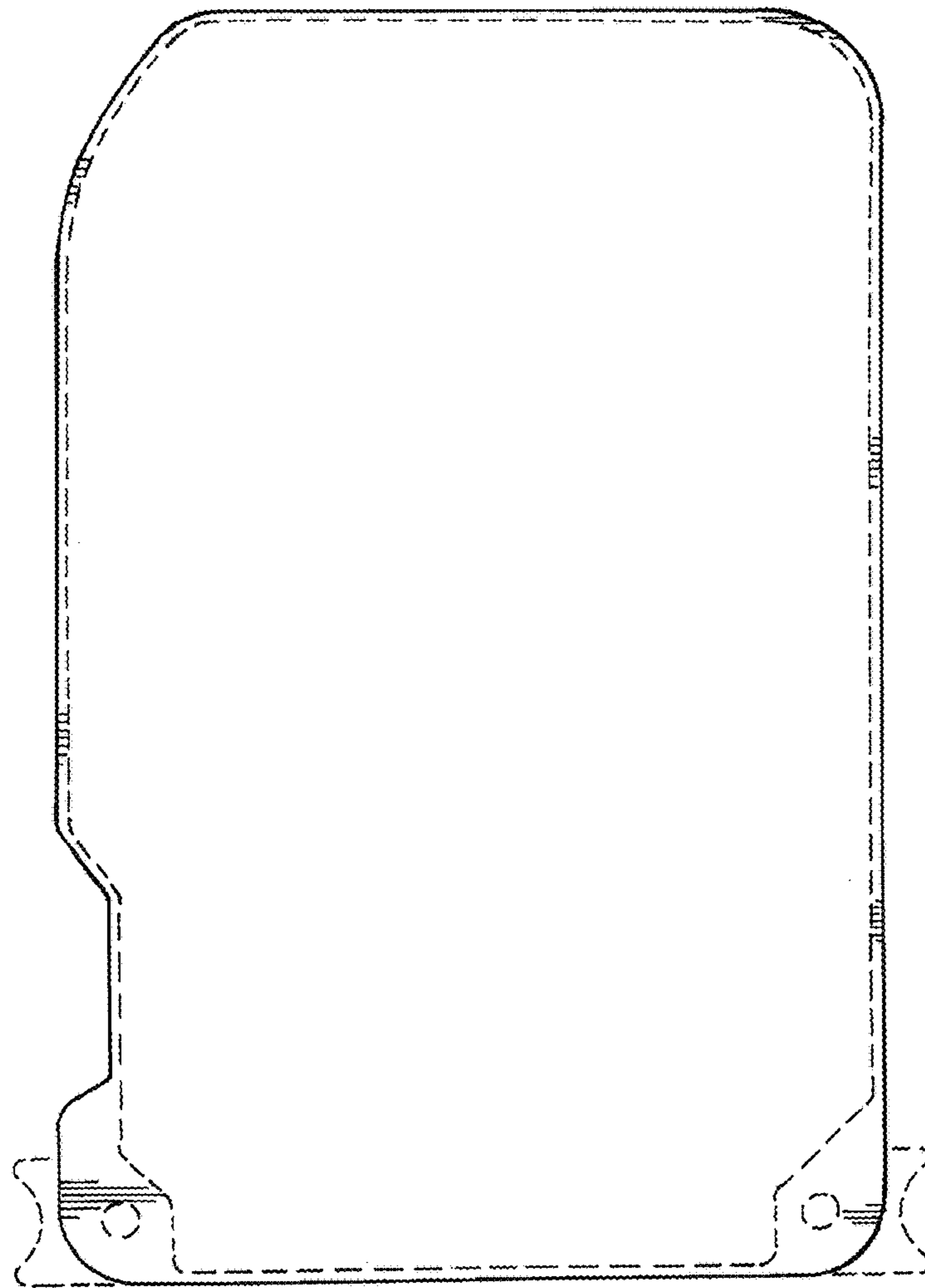


FIG. 10

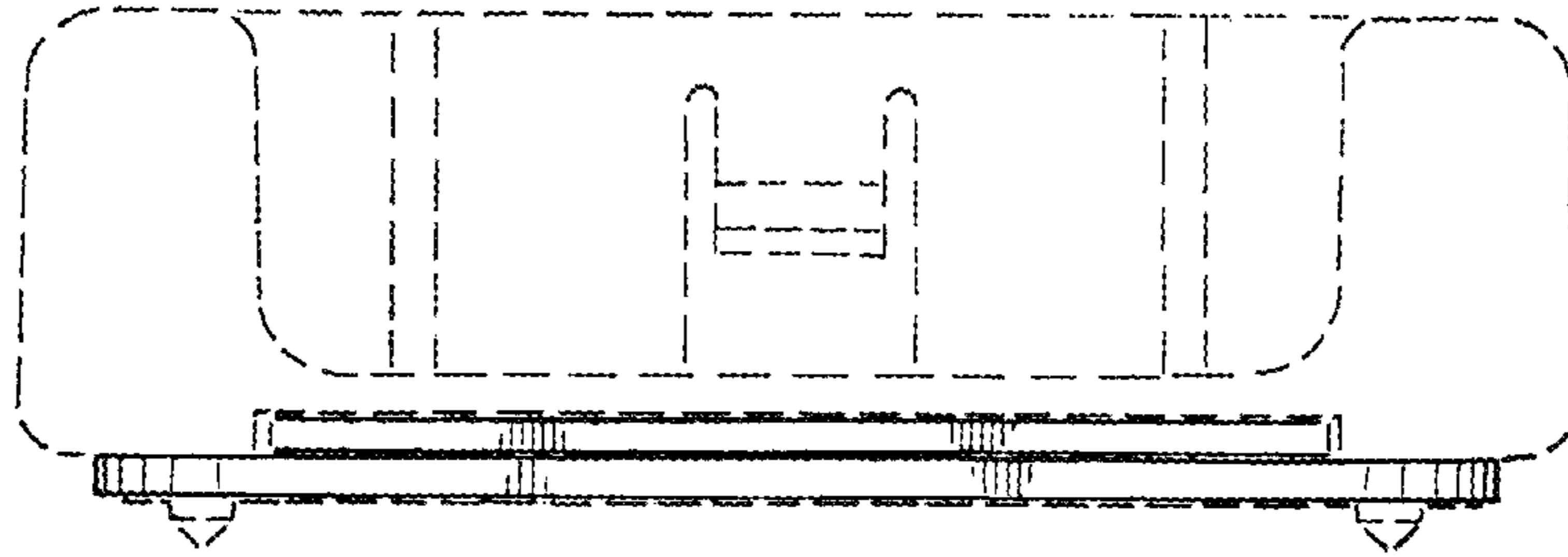


FIG. 11

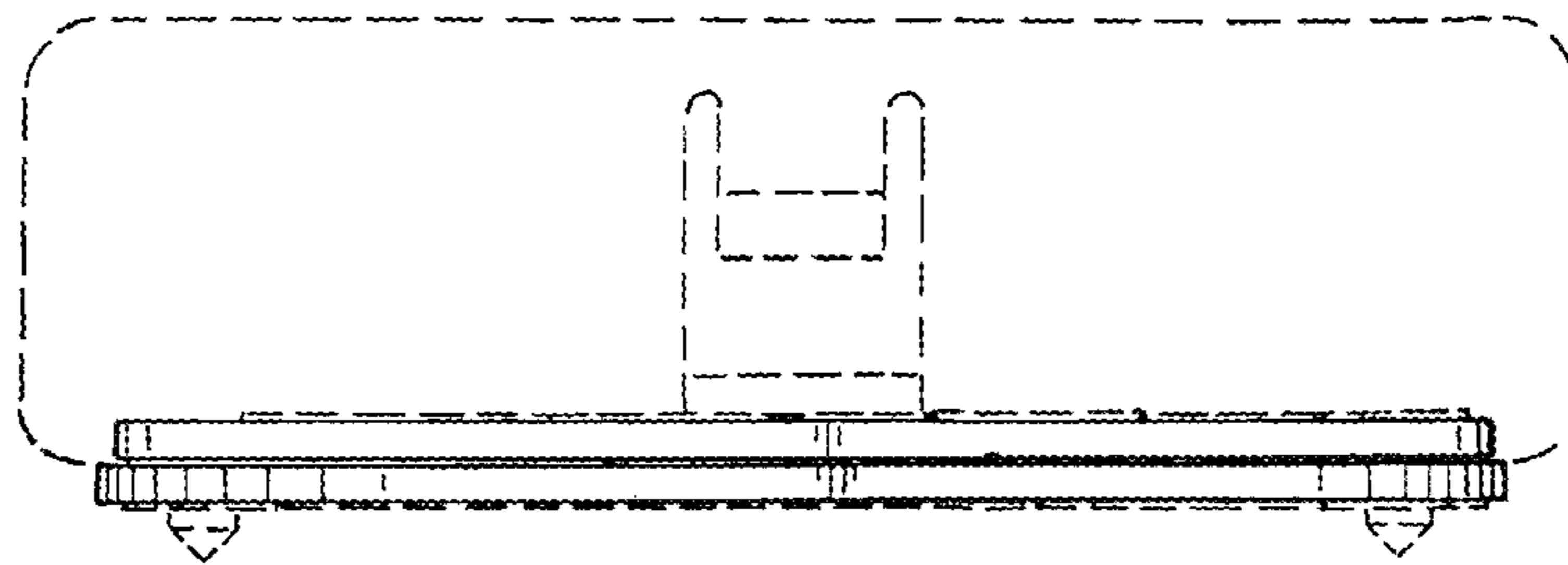


FIG. 12



FIG. 13



FIG. 14