



US00D817510S

(12) **United States Design Patent** (10) **Patent No.:** **US D817,510 S**  
**Piramoon** (45) **Date of Patent:** **\*\* May 8, 2018**

- (54) **CENTRIFUGE BOTTLE HANDLE**
- (71) Applicant: **Fiberlite Centrifuge, LLC**, Santa Clara, CA (US)
- (72) Inventor: **Sina Piramoon**, San Jose, CA (US)
- (73) Assignee: **Fiberlite Centrifuge, LLC**, Santa Clara, CA (US)
- (\*\*) Term: **15 Years**
- (21) Appl. No.: **29/591,384**
- (22) Filed: **Jan. 19, 2017**

- (56) **References Cited**
- U.S. PATENT DOCUMENTS
- 1,665,602 A 4/1928 Netherland
- 2,078,743 A 4/1937 Traum
- (Continued)

- FOREIGN PATENT DOCUMENTS
- JP 35876154 5/1983
- WO 2009026436 A1 2/2009

- OTHER PUBLICATIONS
- Thermo Fisher Scientific Inc., Thermo Scientific Fiberlite Carbon Fiber Rotors, dated 2010, 2011, 2012, 2013 (16 pages).
- (Continued)

**Related U.S. Application Data**

- (62) Division of application No. 29/533,513, filed on Jul. 17, 2015, now Pat. No. Des. 777,941.
- (51) **LOC (11) Cl.** ..... **24-02**
- (52) **U.S. Cl.**
- USPC ..... **D24/224**
- (58) **Field of Classification Search**
- USPC ..... D24/121, 216, 219, 222-232; 215/204, 215/230, 237, 247, 273, 276, 305-306, 215/344, 355; 422/69-72, 300, 297, 500, 422/509, 547-566, 534, 501, 913, 916, 422/918; 210/91, 772; 206/443, 446, 206/528, 438, 557, 562-563, 363-365; D23/250, 252; D8/25, 29, 307; D7/392.1, 397-398, 589, 392; D9/559-560, 520-521, 548, 557-558, D9/434-435, 531, 452-453, 448-449; D10/81; D12/197; 220/732
- CPC ..... A61B 10/0038; A61L 2/26; B01D 33/15; B01L 2200/087; B01L 2200/0689; B01L 2300/0816; B01L 2300/041; B01L 3/502; B01L 3/5021; B01L 3/505; B01L 3/508; B01L 3/5082; B01L 3/50825; B01L 3/5457;

(Continued)

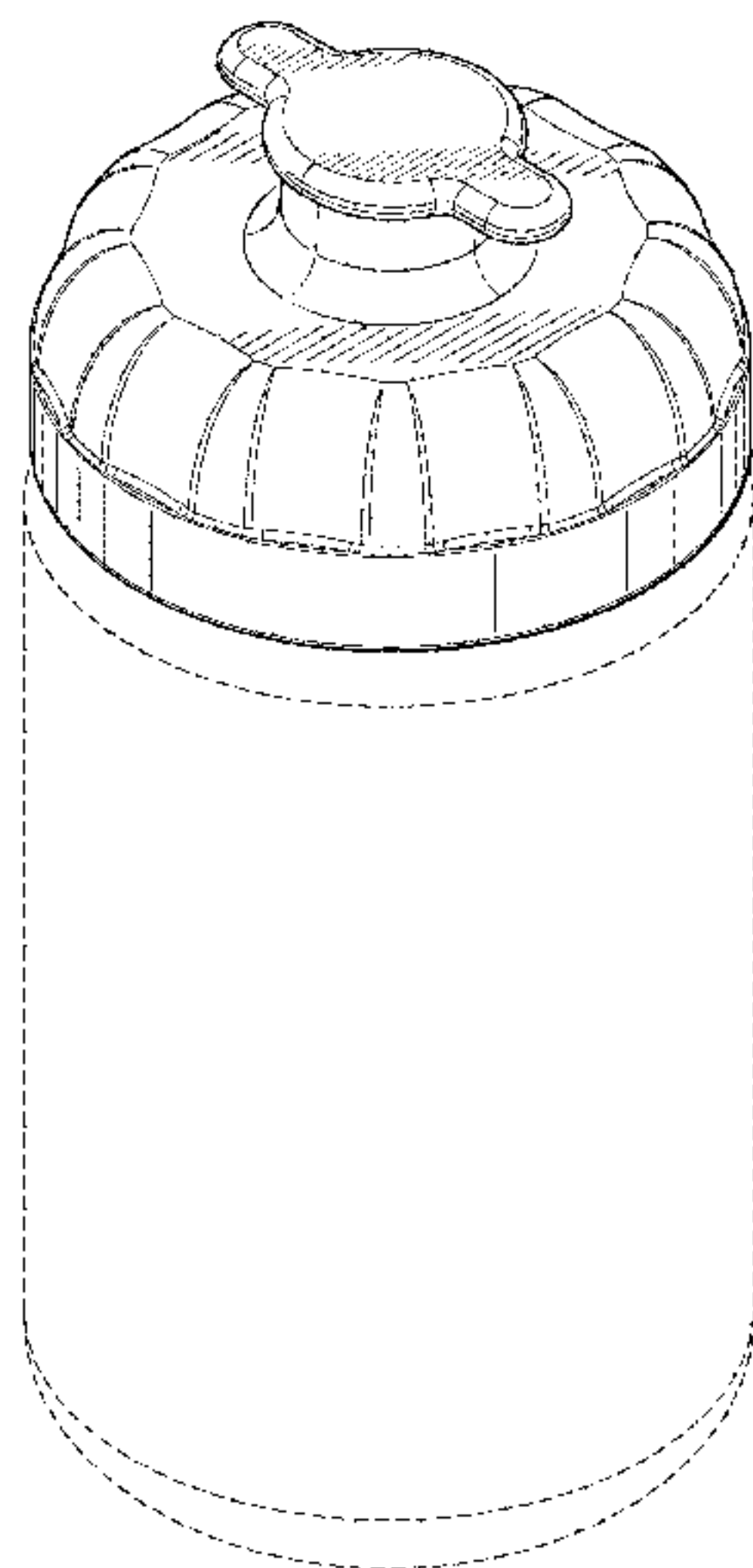
- Primary Examiner* — Ian Simmons
- Assistant Examiner* — Mark Cavanna
- (74) *Attorney, Agent, or Firm* — Wood Herron & Evans LLP

- (57) **CLAIM**
- The ornamental design for a centrifuge bottle handle, as shown and described.

**DESCRIPTION**

FIG. 1 is an isometric view of a centrifuge bottle handle of my new design;  
 FIG. 2 is a front elevation view of the centrifuge bottle handle of FIG. 1, the rear view being identical thereto;  
 FIG. 3 is a side elevation view of the centrifuge bottle handle of FIG. 1, the other side view being identical thereto;  
 FIG. 4 is a top elevation view of the centrifuge bottle handle of FIG. 1; and,  
 FIG. 5 is a bottom elevation view of the centrifuge bottle handle of FIG. 1.  
 The broken lines are included for the purpose of illustrating unclaimed portions of the centrifuge bottle handle and form no part of the claimed design.

**1 Claim, 3 Drawing Sheets**



(58) **Field of Classification Search**  
 CPC ..... B01L 9/06; B04B 7/00-7/18; B04B 1/06;  
 B04B 5/04; B04B 5/0414; B04B 5/0421;  
 B65D 1/06; B65D 2539/006; B65D  
 39/0029; B65D 41/28; B65D 41/3495;  
 B65D 47/08; B65D 71/72; B65D 85/20;  
 B65D 85/42; G01N 33/491  
 See application file for complete search history.

(56) **References Cited**

U.S. PATENT DOCUMENTS

2,307,390	A	1/1943	Chew	
2,549,225	A	4/1951	Moy	
3,366,320	A *	1/1968	Cho	B01L 3/5021
				494/16
3,391,597	A *	7/1968	Gropper	B04B 5/04
				494/10
3,410,435	A	11/1968	Kopczynski	
3,434,615	A *	3/1969	Barletta	B01L 3/5021
				422/916
3,819,111	A	6/1974	Romanauskas et al.	
4,010,890	A	3/1977	Wright	
4,364,903	A	12/1982	Bittings	
4,426,295	A	1/1984	Evans et al.	
4,469,235	A	9/1984	Parker	
4,514,091	A *	4/1985	Kaspar	A61B 10/0038
				206/219
4,915,255	A *	4/1990	Curtis	B01L 3/5082
				422/548
5,184,740	A	2/1993	Mandrell, II et al.	
D342,448	S	12/1993	Ritcey	
5,344,380	A *	9/1994	Chern	B04B 5/0414
				494/12
D351,793	S	10/1994	Stoller	
D357,730	S	4/1995	Saperstein	
D358,329	S	5/1995	Dickie	
5,431,305	A	7/1995	Kaminski	
5,487,719	A	1/1996	Houston et al.	
D367,613	S	3/1996	Weiler	
5,533,644	A *	7/1996	Glen	B04B 5/0414
				494/16
D380,387	S	7/1997	Weiler	
5,665,047	A	9/1997	Brimhall	
D386,955	S	12/1997	Jones et al.	
5,704,502	A	1/1998	Greenfield	
5,899,349	A	5/1999	Moore	
5,941,404	A	8/1999	Charrette	
RE36,341	E *	10/1999	Howell	B04B 5/0414
				494/16
6,062,407	A	5/2000	Moore	
D434,294	S	11/2000	Bernel	
6,253,942	B1	7/2001	Elias	
6,350,225	B1 *	2/2002	Sheeran	B01L 3/5021
				215/386
D462,246	S	9/2002	Skeens	
D472,145	S	3/2003	Nottingham et al.	
D482,975	S	12/2003	Nottingham et al.	

6,811,047	B1	11/2004	Hicks et al.	
D511,457	S	11/2005	Biesecker et al.	
D513,791	S	1/2006	Kosasih	
D522,623	S	6/2006	Koury et al.	
D573,475	S	7/2008	Nottingham et al.	
D575,580	S	8/2008	Germany	
D580,522	S	11/2008	Zhang	
D581,020	S	11/2008	Dolan	
D582,523	S	12/2008	Hanna	
D616,748	S	6/2010	Nakamura et al.	
D621,705	S	8/2010	Breckan	
D621,706	S	8/2010	Breckan	
D621,707	S	8/2010	Breckan	
D625,560	S	10/2010	Olson et al.	
D630,043	S	1/2011	Taggart et al.	
D636,264	S	4/2011	Wassum et al.	
D640,552	S	6/2011	Eiteljorg et al.	
D640,553	S	6/2011	Eiteljorg et al.	
7,988,007	B2	8/2011	Baughman et al.	
8,002,131	B2	8/2011	Karabin	
D646,523	S	10/2011	Johnson et al.	
8,105,556	B2	1/2012	Romanauskas et al.	
D654,797	S	2/2012	Chen	
8,132,685	B2	3/2012	Wellman	
D658,437	S	5/2012	Johnson et al.	
8,215,508	B2	7/2012	Baird et al.	
8,616,394	B2	12/2013	Kim	
8,668,098	B2	3/2014	Wand	
D704,058	S	5/2014	Last	
D715,147	S	10/2014	Ginzburg et al.	
D723,181	S	2/2015	Kawamura	
D727,726	S	4/2015	Friedman	
D731,324	S	6/2015	Li	
D732,684	S	6/2015	Ooi et al.	
9,114,407	B2	8/2015	Kitazawa et al.	
D739,204	S	9/2015	Arthurs	
9,272,278	B2 *	3/2016	Daub	B01L 3/5021
9,278,361	B2 *	3/2016	Holderle	B04B 5/0421
D757,516	S	5/2016	Nesbitt	
D760,574	S	7/2016	Arthurs et al.	
D777,342	S *	1/2017	Piramoone	D24/224
D779,324	S	2/2017	Martini et al.	
D786,672	S	5/2017	van Spronsen et al.	
2006/0199720	A1	9/2006	Juan	
2008/0041869	A1	2/2008	Backaert	
2010/0308006	A1	12/2010	Walker-Smith	
2011/0220607	A1	9/2011	Mukunoki	
2013/0316889	A1 *	11/2013	Asakura	B04B 7/08
				494/43
2016/0158745	A1 *	6/2016	Piramoone	B01L 3/5021
				422/548
2016/0310967	A1 *	10/2016	Henne	B04B 5/0414

OTHER PUBLICATIONS

United Kingdom Intellectual Property Office, Combined Search and Examination Report for Great Britain Patent Application No. GB1521187.3 dated May 25, 2016 (6 pages).

\* cited by examiner

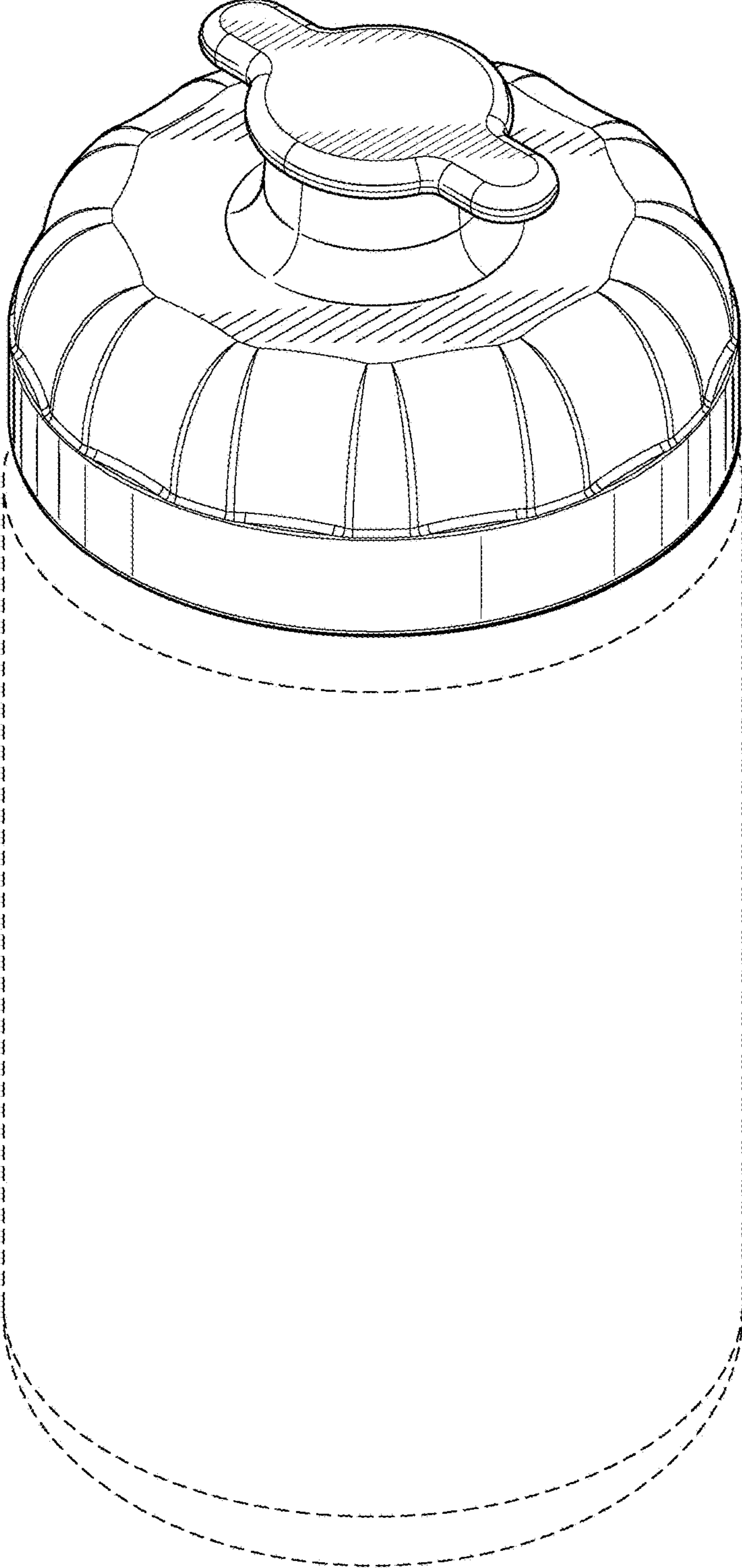


FIG. 1



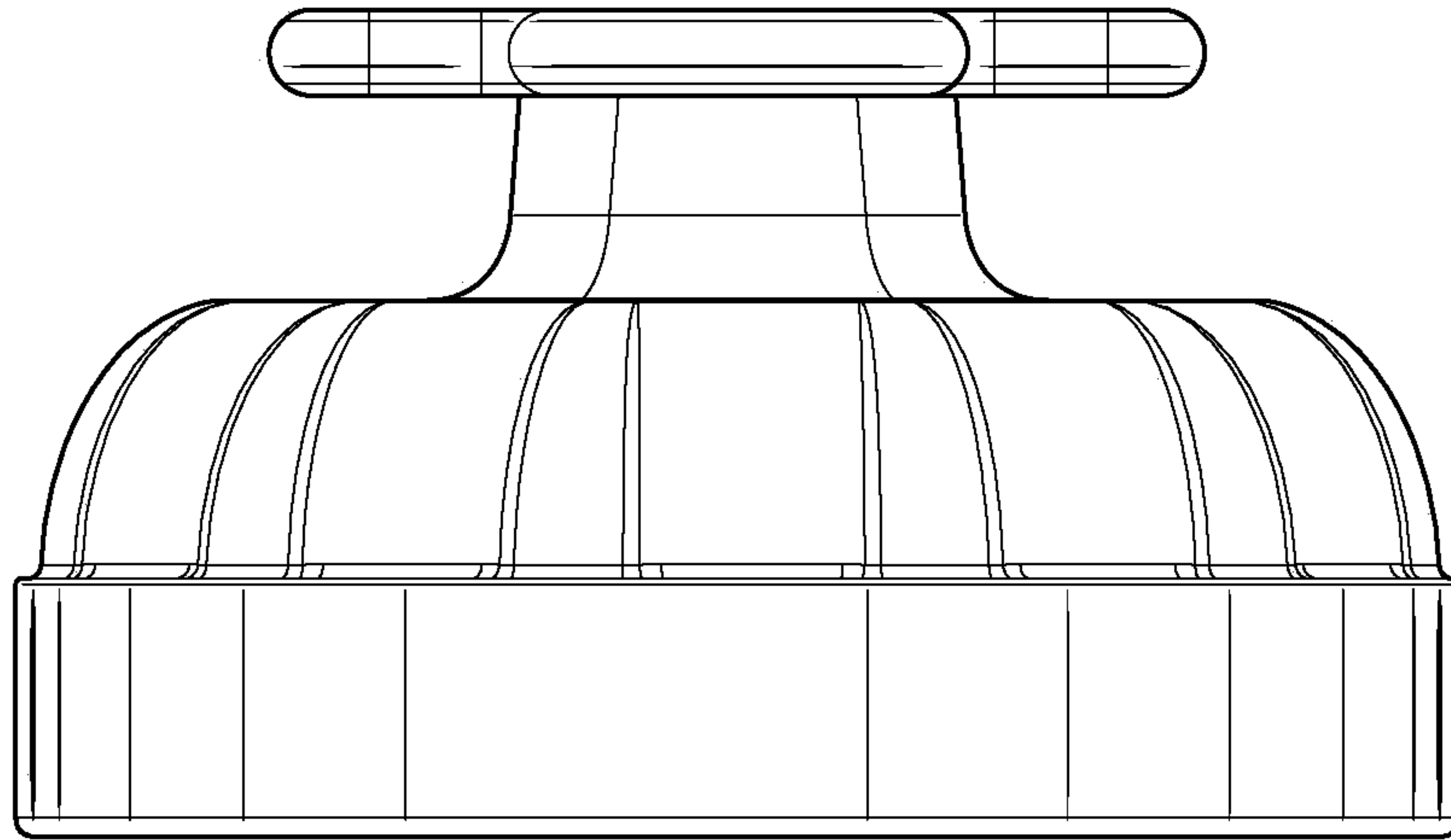


FIG. 2

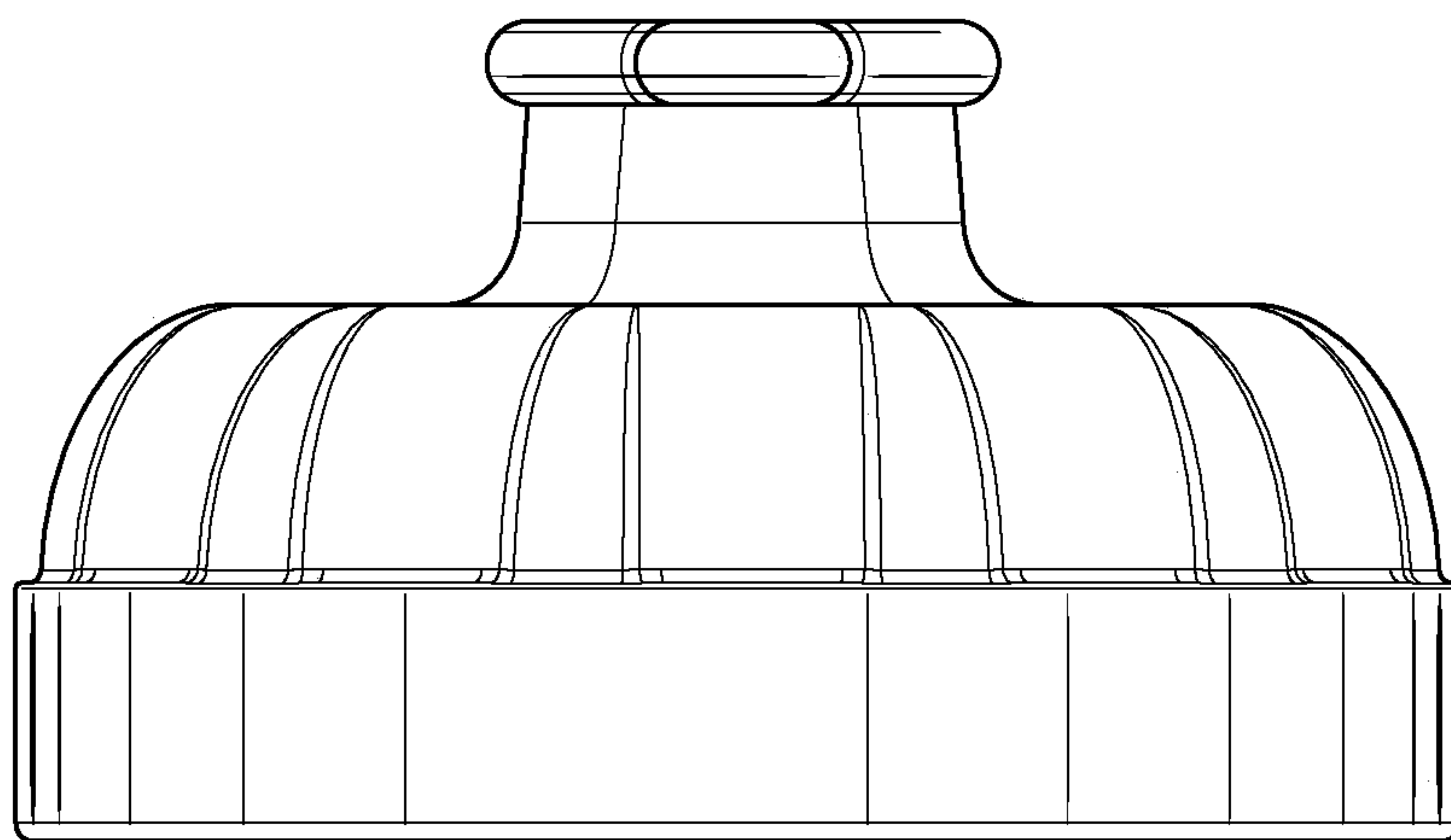


FIG. 3

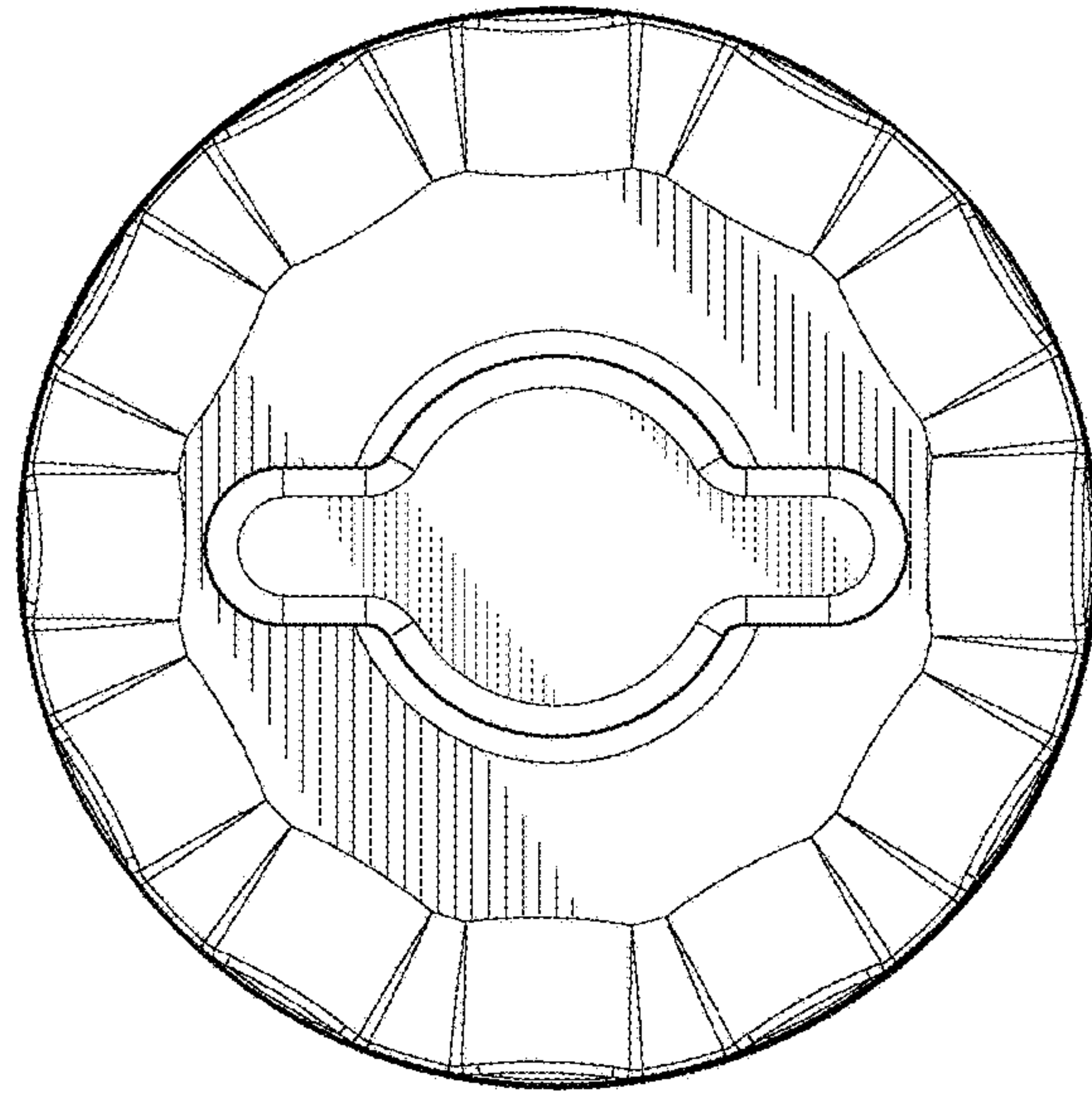


FIG. 4

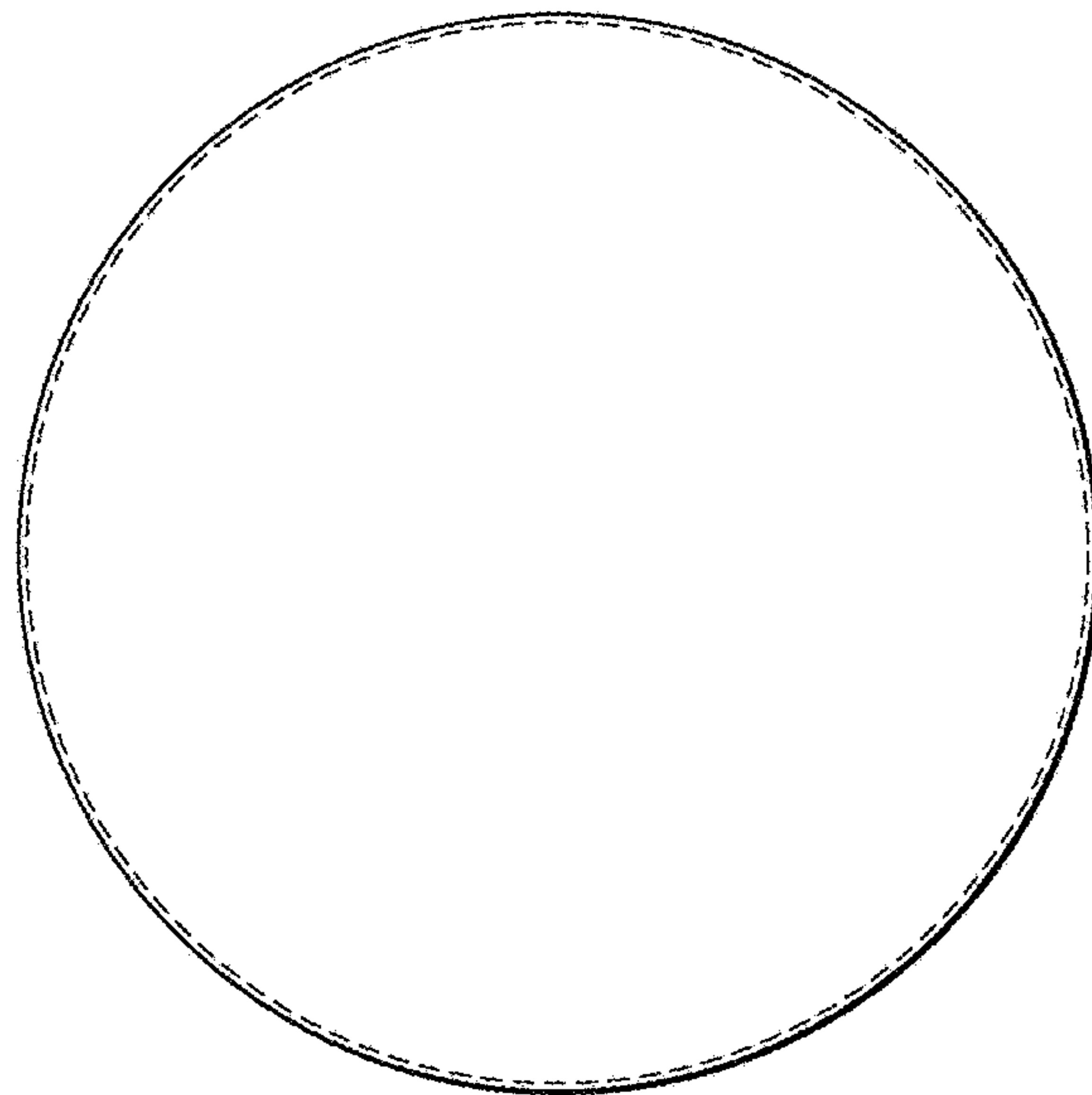


FIG. 5