



US00D817508S

(12) **United States Design Patent** (10) **Patent No.:** **US D817,508 S**  
**Gan** (45) **Date of Patent:** **\*\* May 8, 2018**

(54) **MESSAGE DEVICE**  
(71) Applicant: **SHENZHEN VALUELINK E-COMMERCE CO., LTD.**, Shenzhen (CN)

9,295,608 B2 \* 3/2016 Ma ..... A61H 7/004  
D769,453 S \* 10/2016 Ma ..... D24/215  
D810,312 S \* 2/2018 Cascini ..... D24/200  
2008/0195006 A1 \* 8/2008 Stark ..... A61H 23/0263  
601/46  
2009/0118652 A1 \* 5/2009 Carlucci ..... A61H 7/007  
601/134

(72) Inventor: **Qingcao Gan**, Shenzhen (CN)

(\*\*) Term: **15 Years**

(21) Appl. No.: **29/601,899**

(22) Filed: **Apr. 27, 2017**

(51) **LOC (11) Cl.** ..... **28-03**

(52) **U.S. Cl.**  
USPC ..... **D24/215**

(58) **Field of Classification Search**  
USPC ..... 601/27, 33, 40, 46, 47, 48, 63, 80, 99, 601/104, 112, 113, 114, 119, 122, 125, 601/129, 134, 135, 136, 137, DIG. 15; D24/188, 190, 191, 200, 206, 211, 212, D24/213, 214, 215; D2/829  
CPC ..... A61H 15/0085; A61H 2201/0134; A61H 2201/0207; A61H 2201/0214; A61H 2201/1215; A61H 2201/165; A61H 2201/5071; A61H 2201/5097; A61H 7/007

See application file for complete search history.

(56) **References Cited**

**U.S. PATENT DOCUMENTS**

D337,826 S \* 7/1993 Iverson ..... D24/206  
D389,584 S \* 1/1998 Leventhal ..... D24/200  
D609,818 S \* 2/2010 Tsang ..... D24/215  
D649,655 S \* 11/2011 Petersen ..... D24/215  
D674,501 S \* 1/2013 Petersen ..... D24/215  
D693,016 S \* 11/2013 Ma ..... D24/215  
D703,827 S \* 4/2014 Lee ..... D24/215  
D705,436 S \* 5/2014 Chen ..... D24/215

**OTHER PUBLICATIONS**

Amazon, "Neck Shiatsu Deep Kneading Massage Pillow with Heat . . . ", Jun. 18, 2016. [https://www.amazon.com/Nekteck-Kneading-Massager-Shoulder-Bi-Direction/product-reviews/B01BZOKLOO/ref=cm\\_cr\\_getr\\_d\\_paging\\_btm\\_79?ie=UTF8&reviewerType=all&reviews&sortBy=recent&pageNumber=79](https://www.amazon.com/Nekteck-Kneading-Massager-Shoulder-Bi-Direction/product-reviews/B01BZOKLOO/ref=cm_cr_getr_d_paging_btm_79?ie=UTF8&reviewerType=all&reviews&sortBy=recent&pageNumber=79). Shown on p. 1. (Year: 2016).\*

\* cited by examiner

*Primary Examiner* — Cynthia Ramirez  
*Assistant Examiner* — Michael A Maharajh  
(74) *Attorney, Agent, or Firm* — Wayne & Ken, LLC; Tony Hom

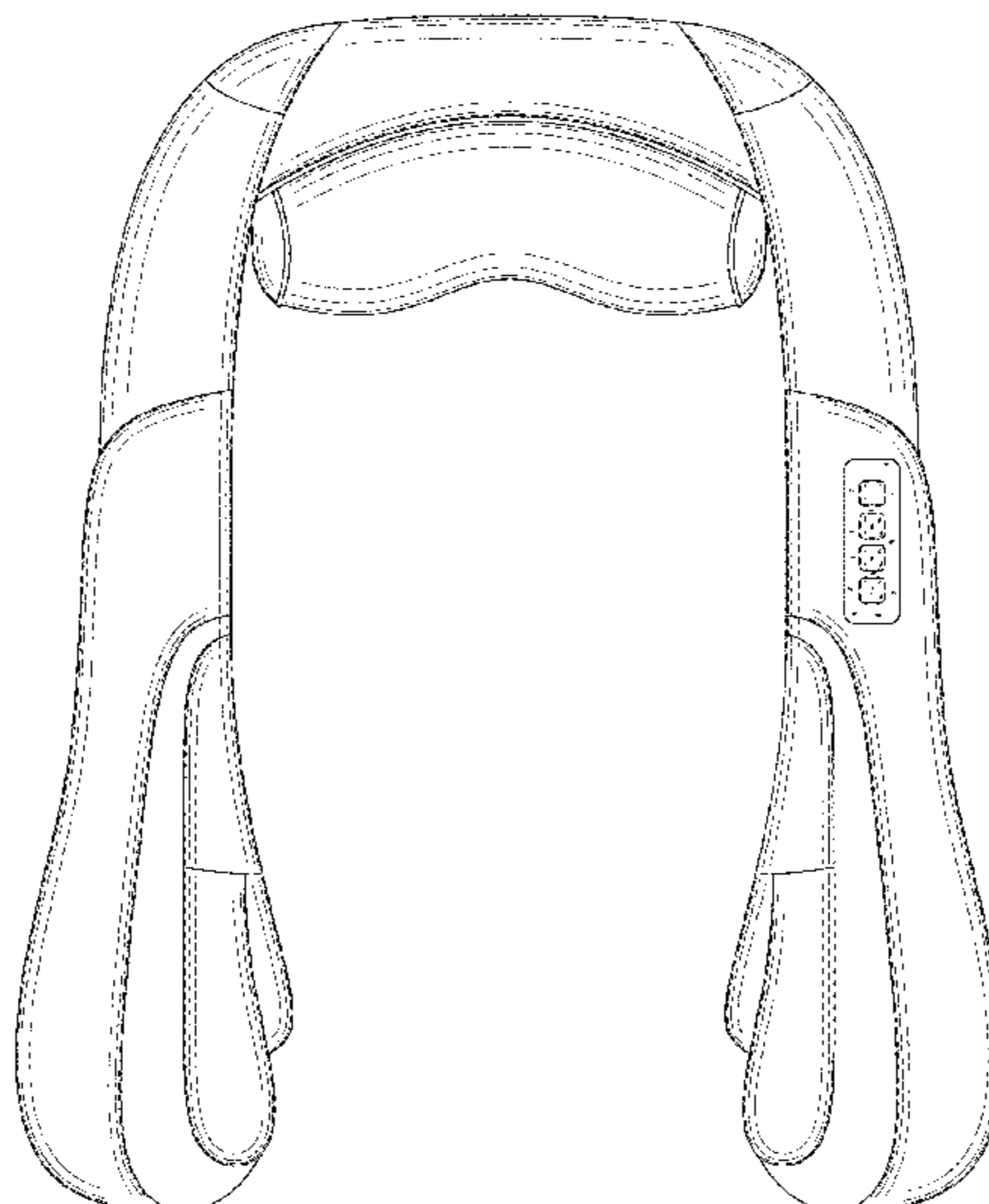
(57) **CLAIM**

The ornamental design for a massage device, as shown.

**DESCRIPTION**

FIG. 1 is a front side view of a massage device showing my new design;  
FIG. 2 is a back side view thereof;  
FIG. 3 is a left side view thereof;  
FIG. 4 is a right side view thereof;  
FIG. 5 is a top view thereof; and,  
FIG. 6 is a bottom view thereof.

**1 Claim, 6 Drawing Sheets**



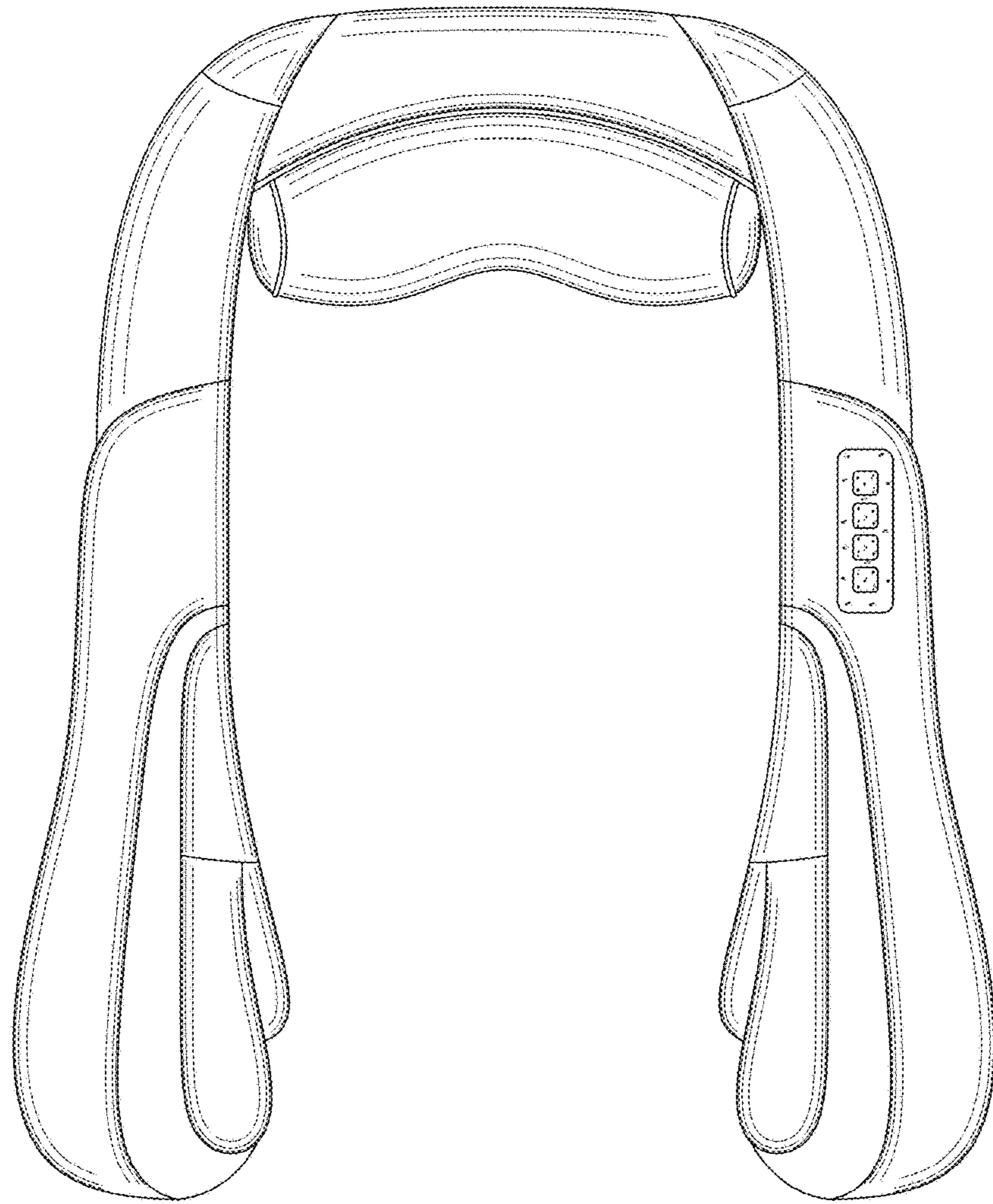


FIG . 1

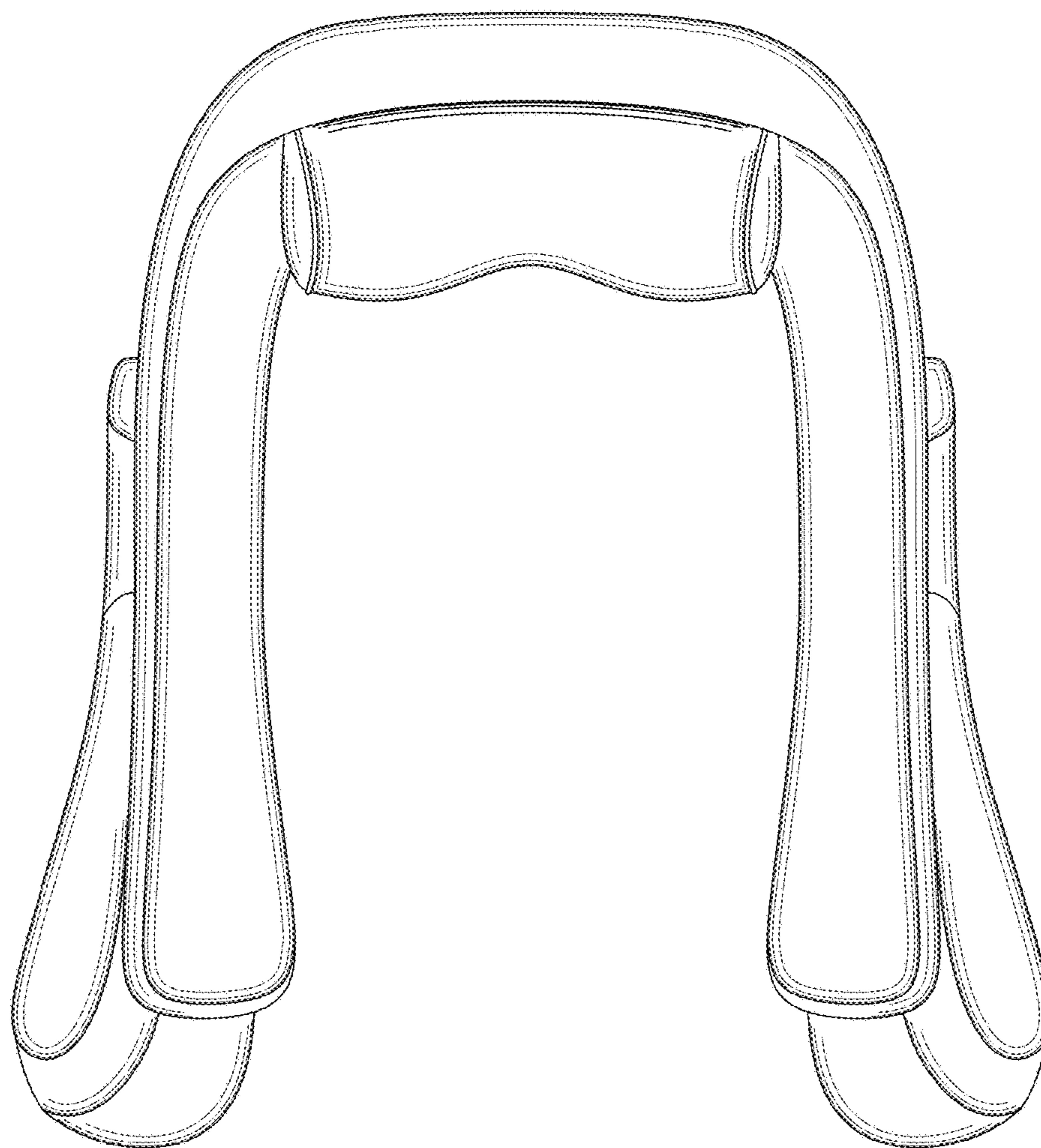


FIG . 2

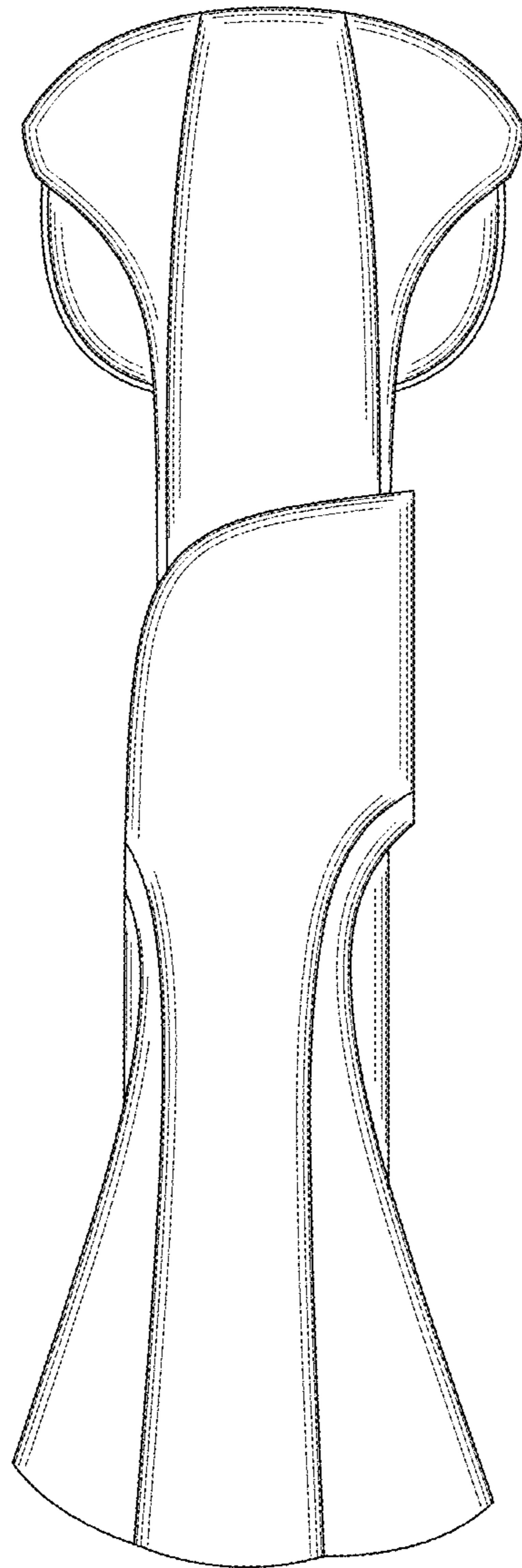


FIG . 3



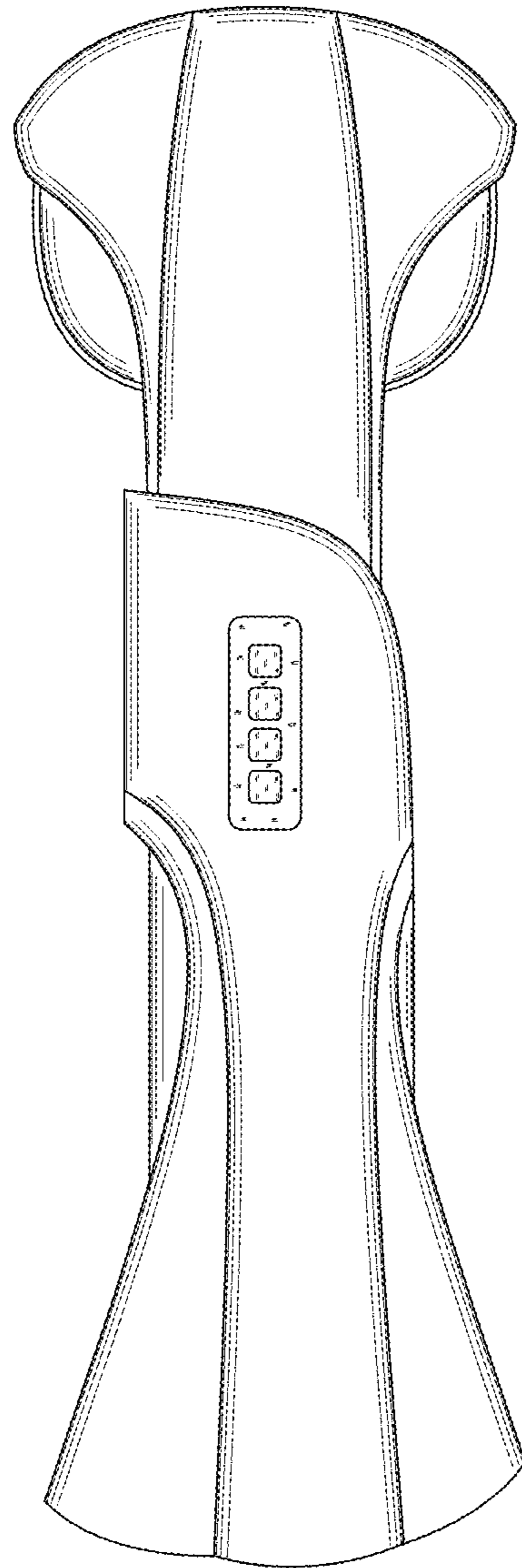


FIG . 4

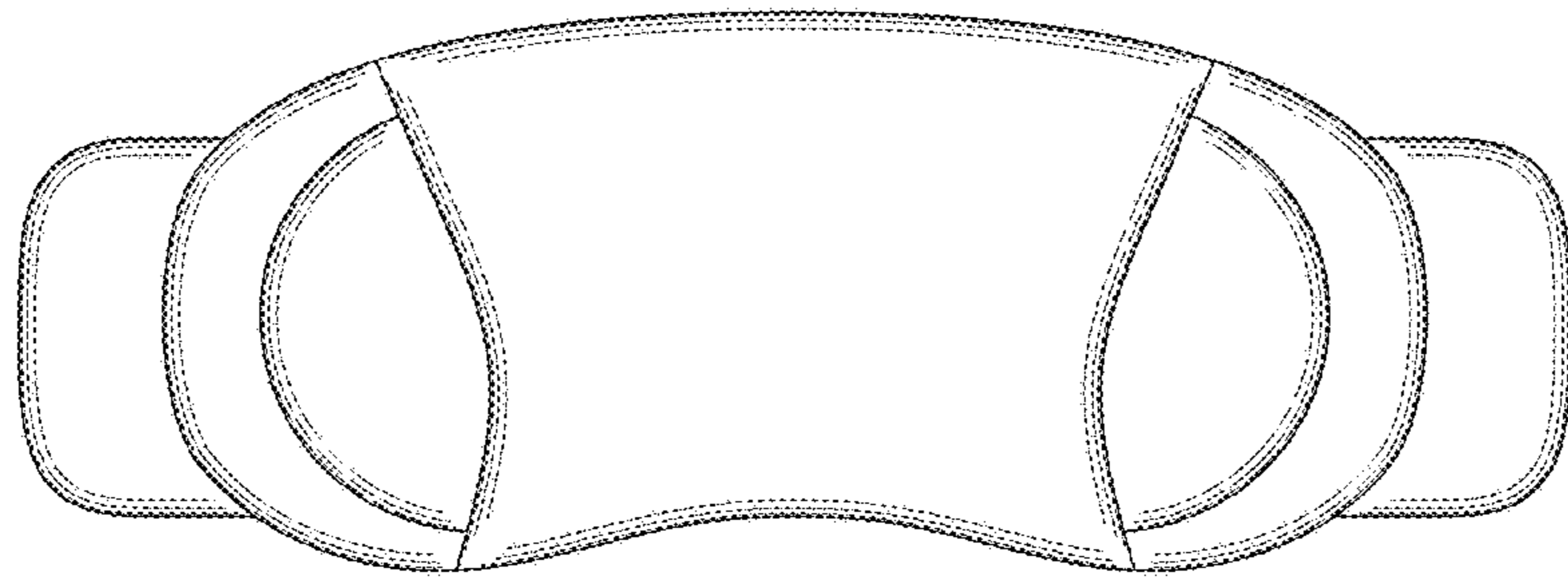


FIG . 5

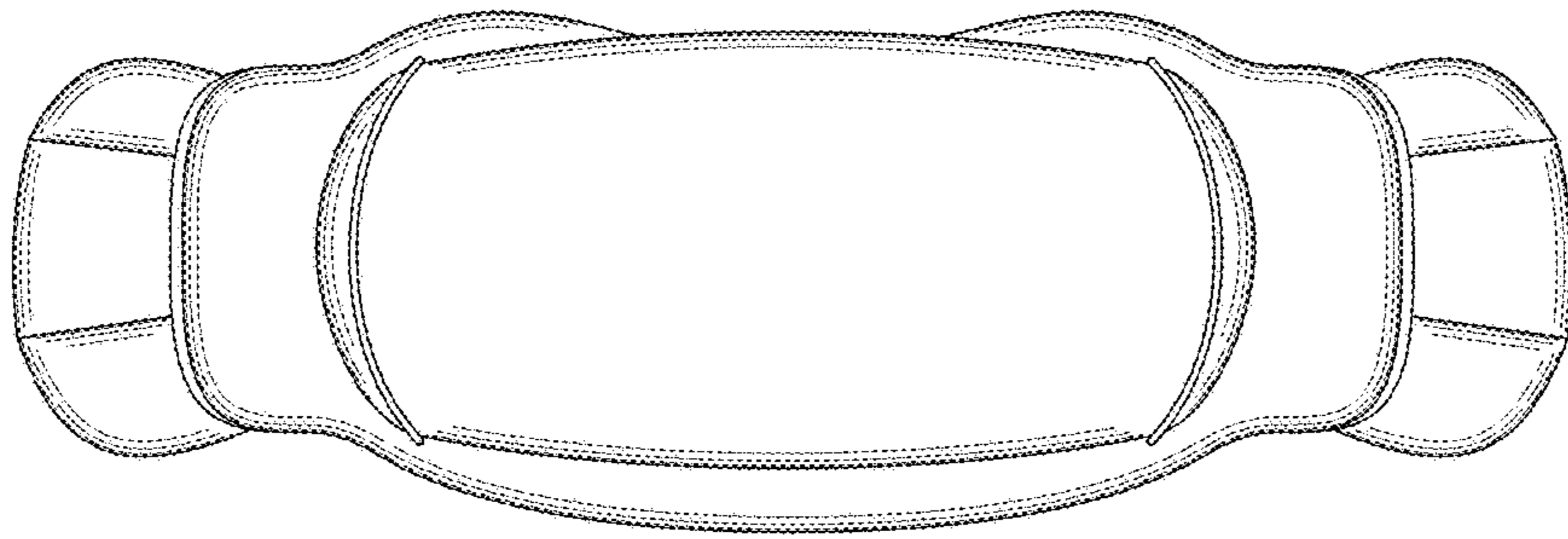


FIG . 6