



US00D817506S

(12) **United States Design Patent** (10) **Patent No.:** **US D817,506 S**
Clores (45) **Date of Patent:** **** May 8, 2018**

- (54) **COLLAR FOR A BABY BOTTLE**
- (71) Applicant: **Edgardo Clores**, Las Vegas, NV (US)
- (72) Inventor: **Edgardo Clores**, Las Vegas, NV (US)
- (73) Assignee: **MACE CORPORATION**, Las Vegas, NV (US)
- (**) Term: **15 Years**
- (21) Appl. No.: **29/558,680**
- (22) Filed: **Mar. 21, 2016**
- (51) **LOC (11) Cl.** **07-01**
- (52) **U.S. Cl.**
USPC **D24/197**
- (58) **Field of Classification Search**
USPC D24/193, 194, 195, 196, 197, 198, 199,
D24/207; D7/392, 510, 511, 517, 539,
D7/619.2; D9/516, 530, 719, 761
CPC A61J 9/06; A61J 9/0623
See application file for complete search history.

(56) **References Cited**

U.S. PATENT DOCUMENTS

D356,871 S *	3/1995	Dunn	D24/197
5,480,043 A *	1/1996	Wingo	A61J 11/04 215/11.1
D393,075 S *	3/1998	Allegre	D24/197
D458,380 S *	6/2002	Dutil	D24/193
D463,568 S *	9/2002	Leung	D24/197
D584,825 S *	1/2009	Berglund	D24/199
D590,950 S *	4/2009	Driver	D24/197
D606,662 S *	12/2009	Ritchie	D24/194
D688,530 S *	8/2013	Sanders	D7/619.1
2002/0139767 A1 *	10/2002	Budd	A47G 19/2272 215/387
2003/0226816 A1 *	12/2003	Kipperman	A61J 9/00 215/11.1

2005/0263475 A1 *	12/2005	Carlson	A61J 9/06 215/11.1
2015/0096956 A1 *	4/2015	Lin	A61J 9/08 215/11.6

OTHER PUBLICATIONS

“Mace Corporation Video”. Found online Mar. 2, 2018 at youtube.com. Page dated Oct. 13, 2016. Retrieved from <https://www.youtube.com/watch?v=2fh31dE3IXY>.*

(Continued)

Primary Examiner — George D. Kirschbaum
Assistant Examiner — Kendra Leslie Hamilton
(74) *Attorney, Agent, or Firm* — Weiss & Moy, P.C.;
Jeffrey D. Moy

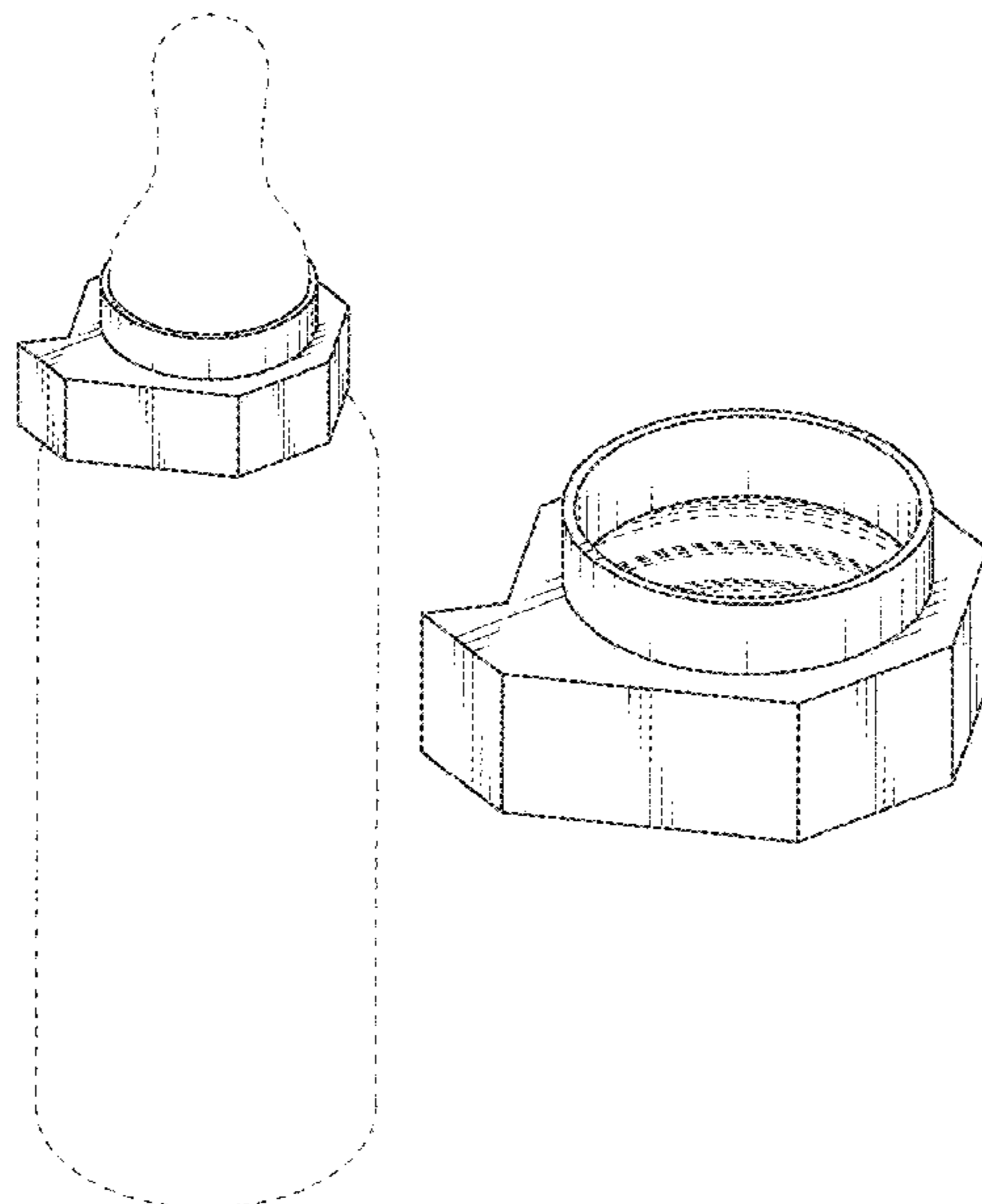
(57) **CLAIM**

The ornamental design for a collar for a baby bottle, as shown and described.

DESCRIPTION

FIG. 1 is a top perspective view of a collar for a baby bottle, in condition of use;
FIG. 2 is another top perspective view of the collar for a baby bottle of FIG. 1;
FIG. 3 is a front view thereof, enlarged for clarity of disclosure;
FIG. 4 is a back view thereof;
FIG. 5 is a left side view thereof;
FIG. 6 is a right side view thereof;
FIG. 7 is a top plan view thereof; and,
FIG. 8 is a bottom plan view thereof.
In FIG. 1, the broken lines showing a nipple and bottle depict environmental subject matter and form no part of the claimed design. In FIGS. 2 and 8, the broken lines depict portions of the collar for a baby bottle that form no part of the claimed design.

1 Claim, 3 Drawing Sheets



(56)

References Cited

OTHER PUBLICATIONS

“Best on the Go Bottle—The Mixie”. Found online Jun. 19, 2015 at [thewisebaby.com](http://www.thewisebaby.com). Page dated Apr. 11, 2013. Retrieved from <http://www.thewisebaby.com/best-on-the-go-bottle-the-mixie/>.*

“Thinkbaby Vented Baby Bottles”. Found online Feb. 18, 2014 at [amazon.in](https://www.amazon.in). Page dated Feb. 18, 2014. Retrieved from https://www.amazon.in/Thinkbaby-Vented-Bottles-Natural-Orange/dp/B005JSHMVS/ref=sr_1_270?s=baby&ie=UTF8&qid=1517541366&sr=1-270.*

“Bare Air Free Baby Bottle Review”. Found online Feb. 12, 2018 at allaboutbabysworld.blogspot.com. Page dated Apr. 28, 2014. Retrieved from <http://allaboutbabysworld.blogspot.com/2014/04/bare-air-free-baby-bottle-review.html>.*

* cited by examiner

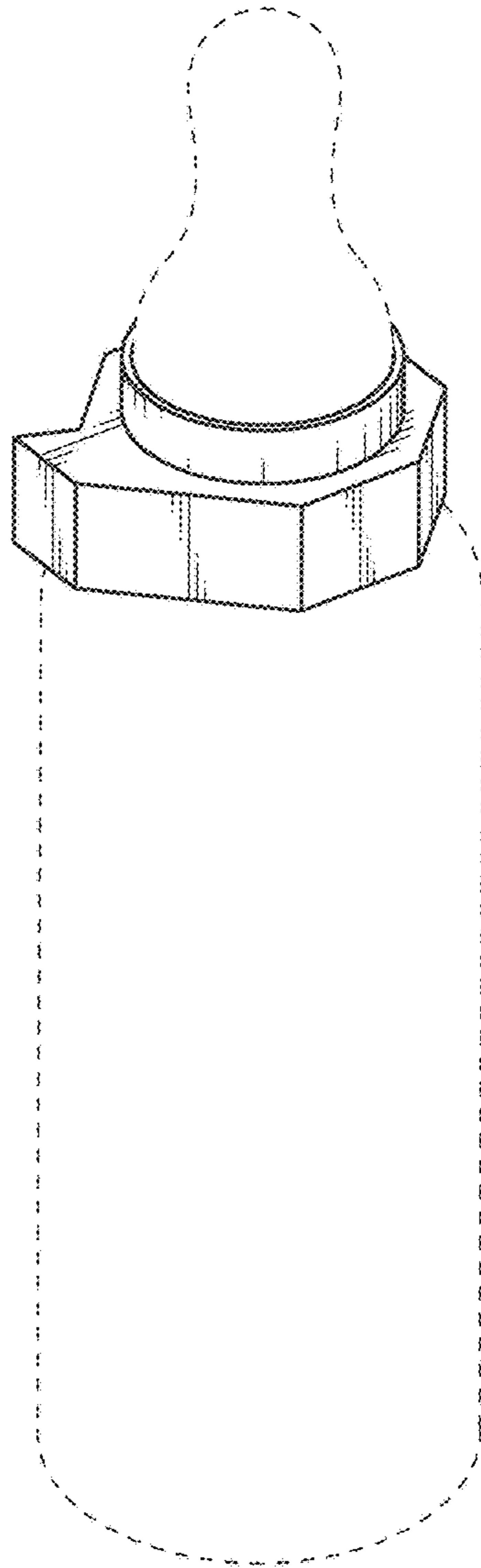


FIG. 1

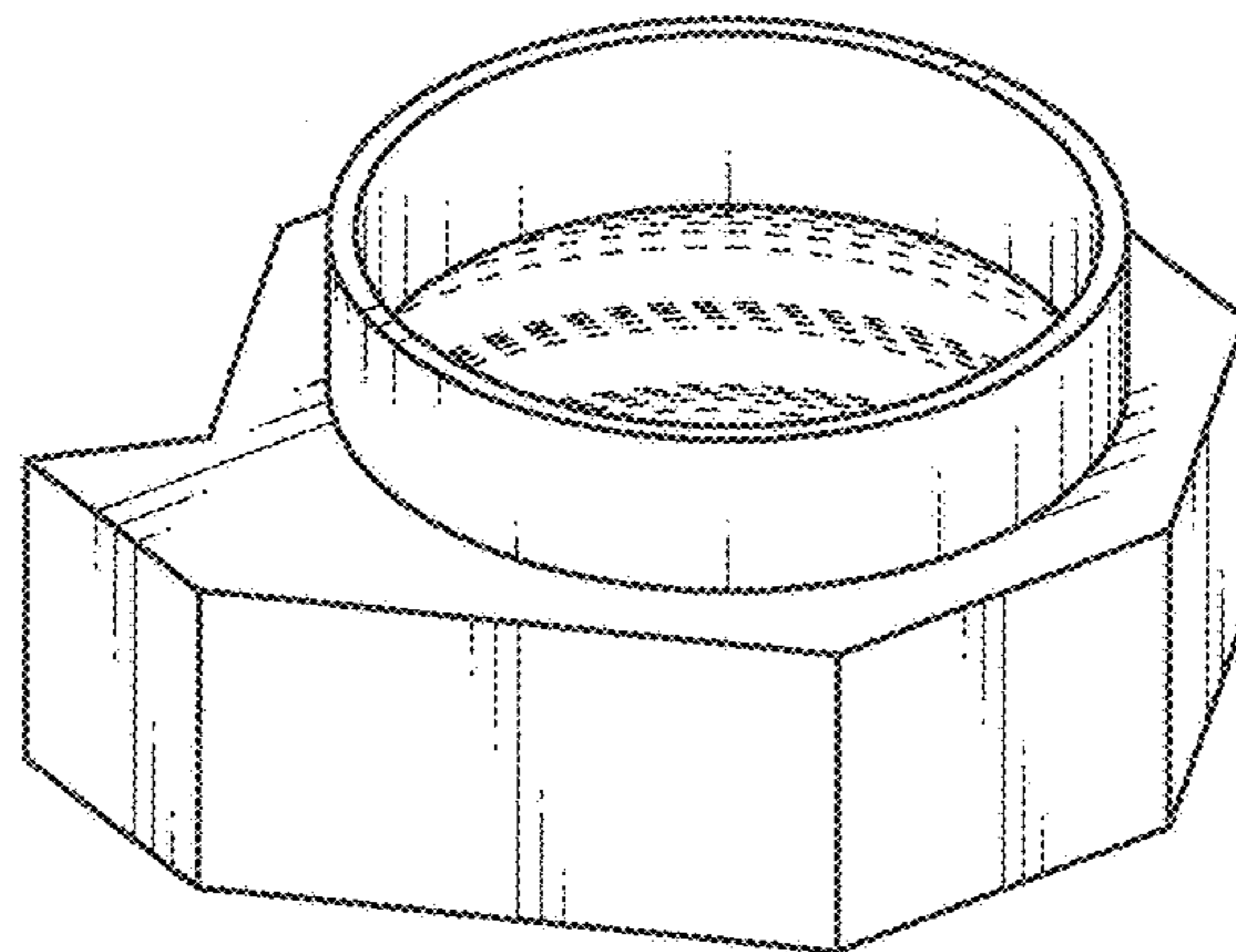


FIG. 2

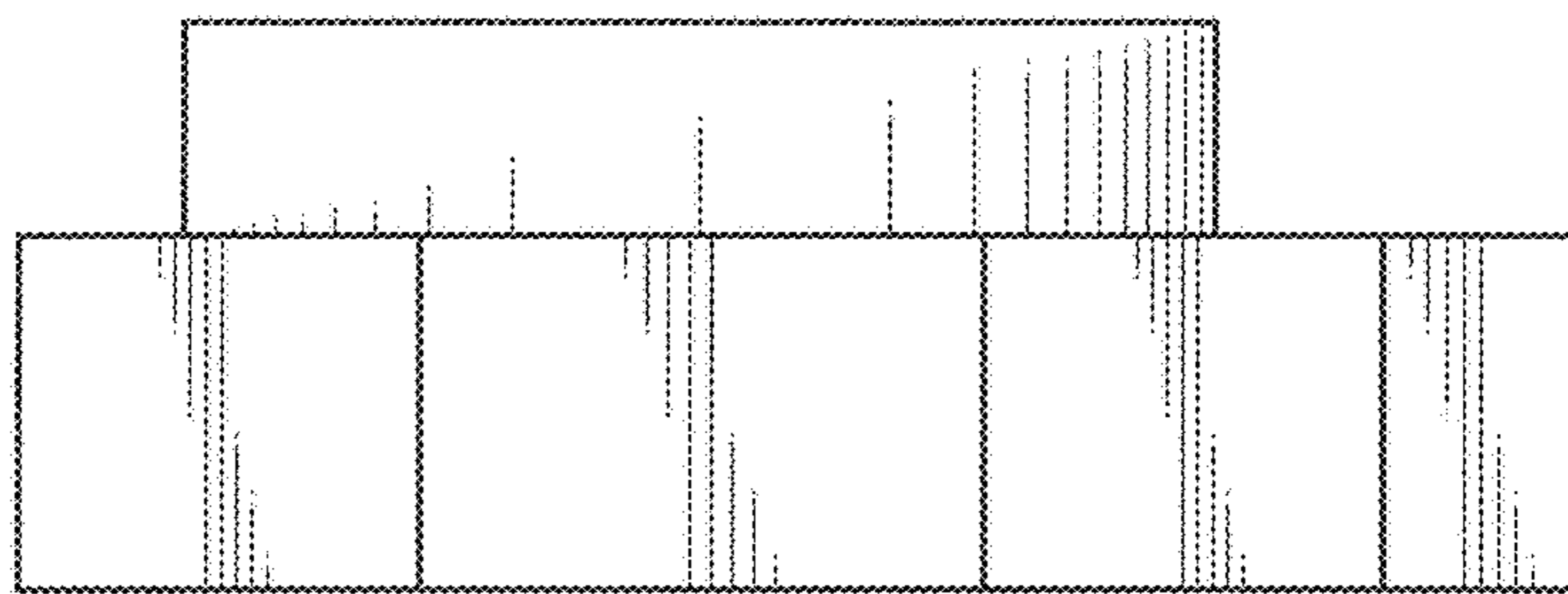


FIG. 3

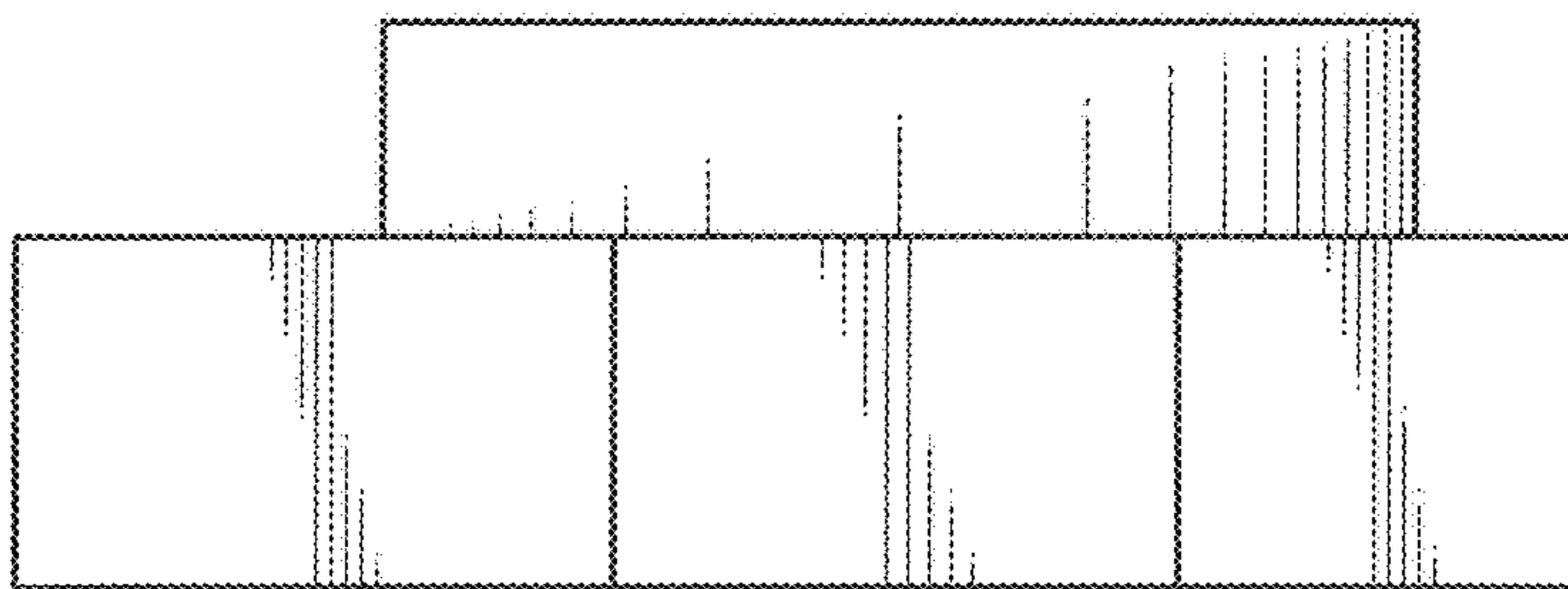


FIG. 4

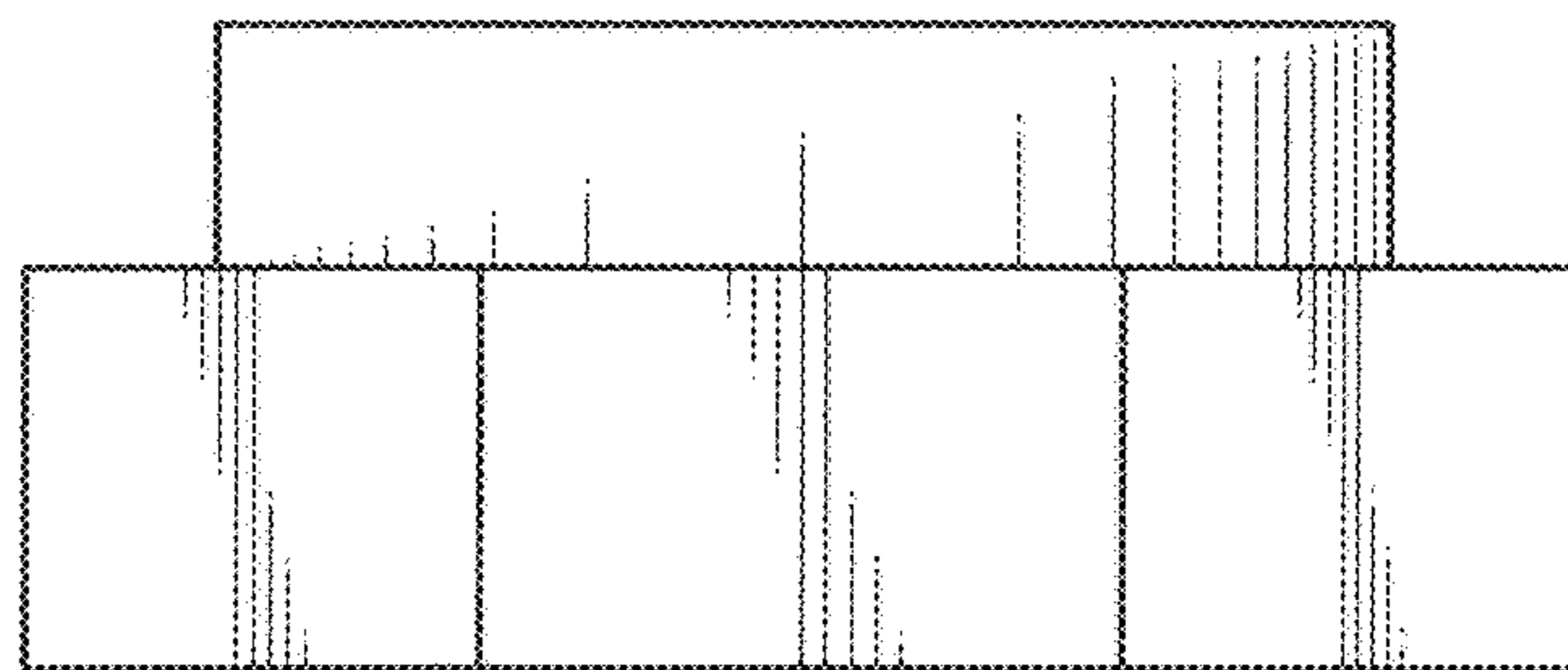


FIG. 5

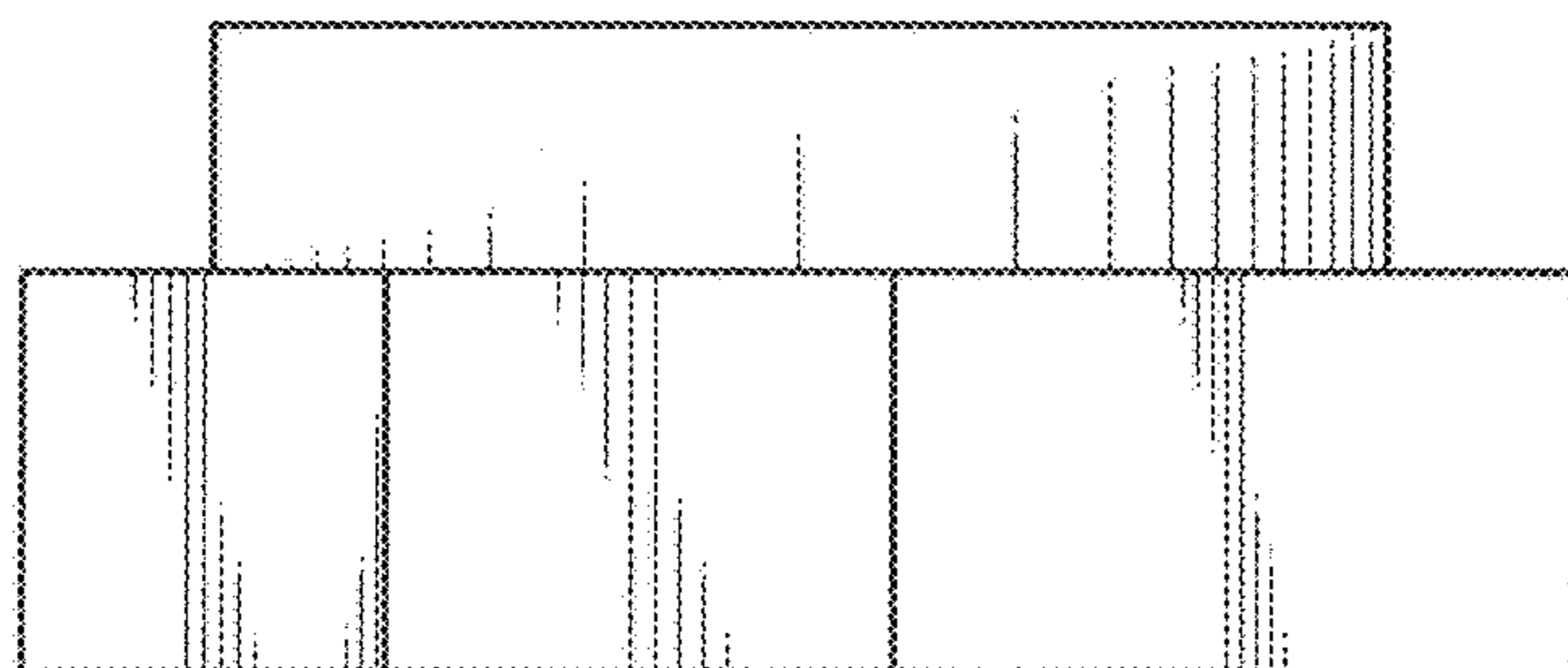


FIG. 6

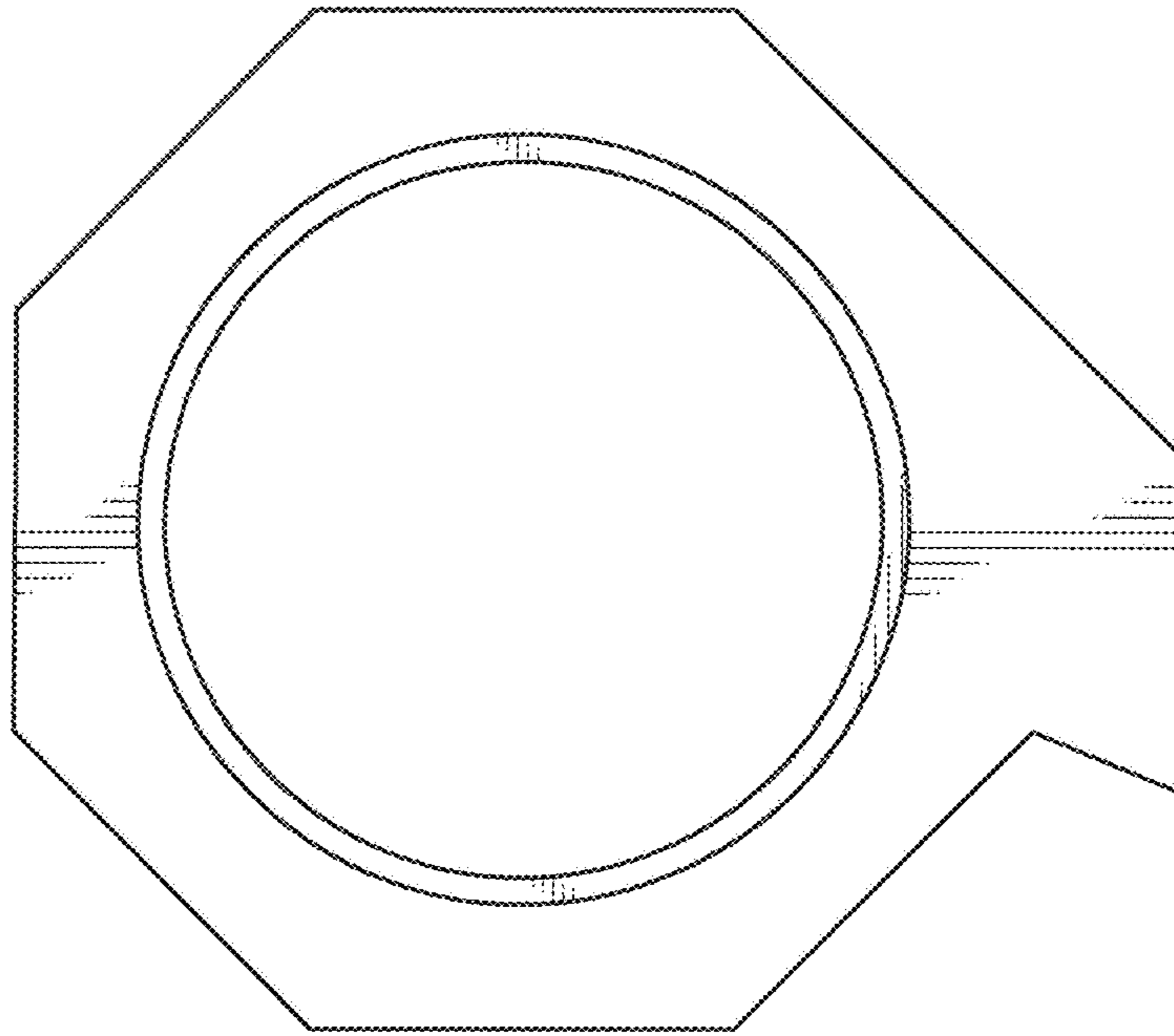


FIG. 7

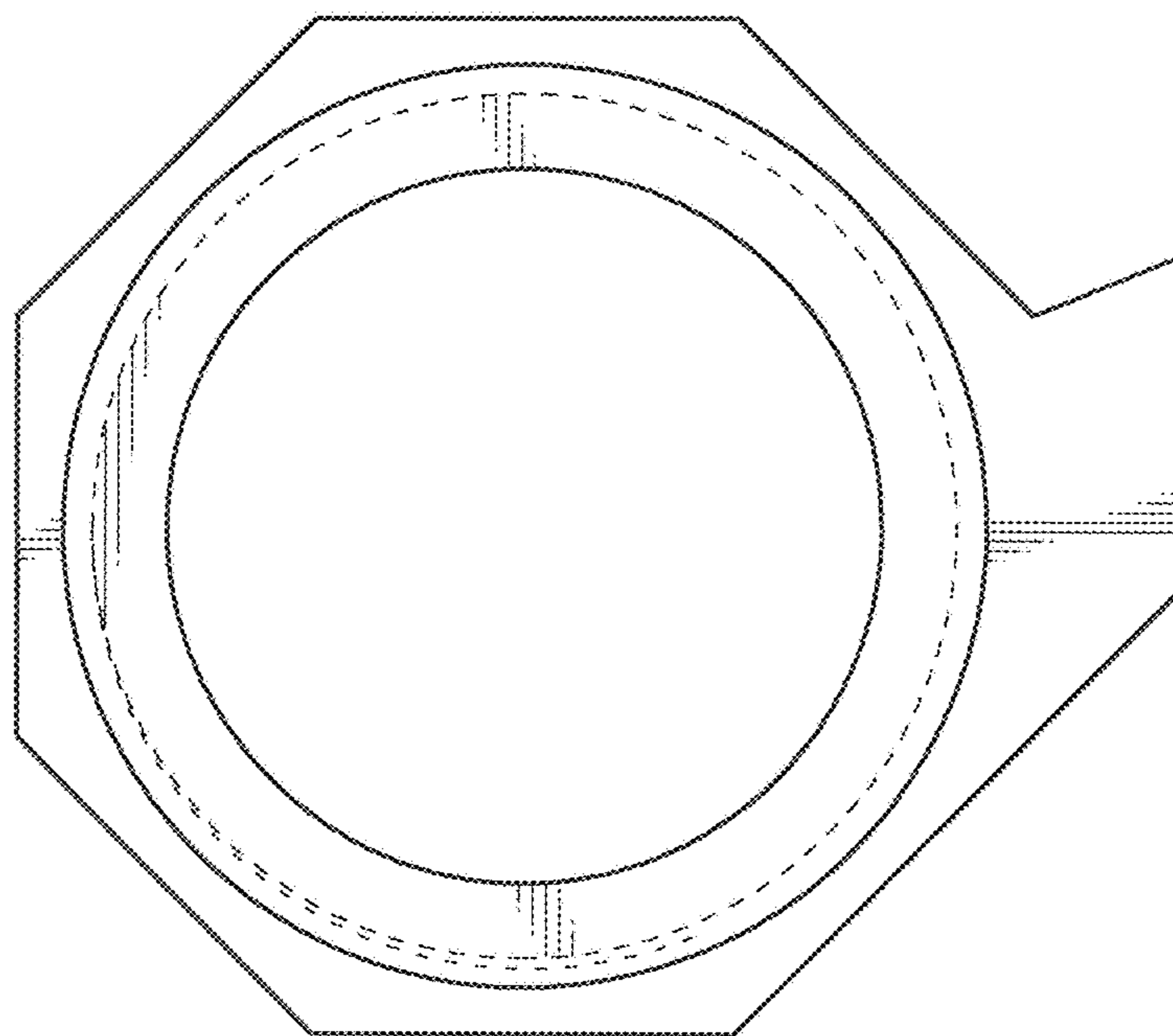


FIG. 8