



US00D817505S

(12) **United States Design Patent**
Luntz et al.

(10) **Patent No.:** **US D817,505 S**

(45) **Date of Patent:** **** May 8, 2018**

(54) **TEETHER**

(71) Applicants: **Dean Luntz**, Boca Raton, FL (US);
Jessica Luntz, Boca Raton, FL (US)

(72) Inventors: **Dean Luntz**, Boca Raton, FL (US);
Jessica Luntz, Boca Raton, FL (US)

(73) Assignee: **Babbala LLC**, Boca Raton, FL (US)

(**) Term: **15 Years**

(21) Appl. No.: **29/574,220**

(22) Filed: **Aug. 12, 2016**

(51) **LOC (11) Cl.** **24-04**

(52) **U.S. Cl.**
USPC **D24/195**

(58) **Field of Classification Search**
USPC D24/193, 194, 195, 214; D1/101, 104,
D1/106, 113, 115, 125, 199; D21/483,
D21/490, 496, 576, 588, 603, 609, 628,
D21/650, 684; D30/160; 606/235
CPC A61J 17/00; A61J 17/02
See application file for complete search history.

(56) **References Cited**

U.S. PATENT DOCUMENTS

722,350	A *	3/1903	Anderson	A61J 17/02 606/235
2,998,896	A *	9/1961	Miller	B65D 11/02 220/4.26
3,633,587	A *	1/1972	Hunt	A63H 5/00 606/235
4,124,135	A *	11/1978	Weder	B65D 1/00 220/4.21
D345,608	S *	3/1994	Spence, Jr.	D24/194
D391,643	S *	3/1998	Fletcher	D24/195
D408,921	S *	4/1999	Wexler	D24/194
D421,216	S *	2/2000	Abrams	D9/643
D608,160	S *	1/2010	Colbert	D7/628
7,871,651	B2 *	1/2011	Sinichko	A23G 1/505 220/4.01

D680,439	S *	4/2013	Reetz	D9/643
D745,283	S *	12/2015	Phillips	D24/195
D779,137	S *	2/2017	Taylor	D32/1

OTHER PUBLICATIONS

“The Teething Egg on Instagram”. Found online Apr. 18, 2017 at [instagram.com](https://www.instagram.com/p/-z28iTmJ8V/). Page dated Dec. 2, 2015. Retrieved from <https://www.instagram.com/p/-z28iTmJ8V/>.*

“Nordic Ware Microwave Egg Boiler”. Found online Apr. 18, 2017 at [amazon.com](https://www.amazon.com/Nordic-Ware-Microwave-Egg-Boiler/dp/B0007M2BN0/ref=sr_1_26?ie=UTF8&qid=1492547721&sr=8-26&keywords=egg). Page dated Oct. 2, 2001. Retrieved from https://www.amazon.com/Nordic-Ware-Microwave-Egg-Boiler/dp/B0007M2BN0/ref=sr_1_26?ie=UTF8&qid=1492547721&sr=8-26&keywords=egg.*

“TinkerLAB Rolled Wooden Eggs”. Found online Apr. 26, 2017 at tinkerlab.com. Page dated Apr. 18, 2011. Retrieved from <http://tinkerlab.com/rolled-wooden-eggs/>.*

(Continued)

Primary Examiner — Robert M Spear

Assistant Examiner — Kendra L Hamilton

(74) *Attorney, Agent, or Firm* — Dunlap Bennett & Ludwig PLLC; Brendan E. Squire

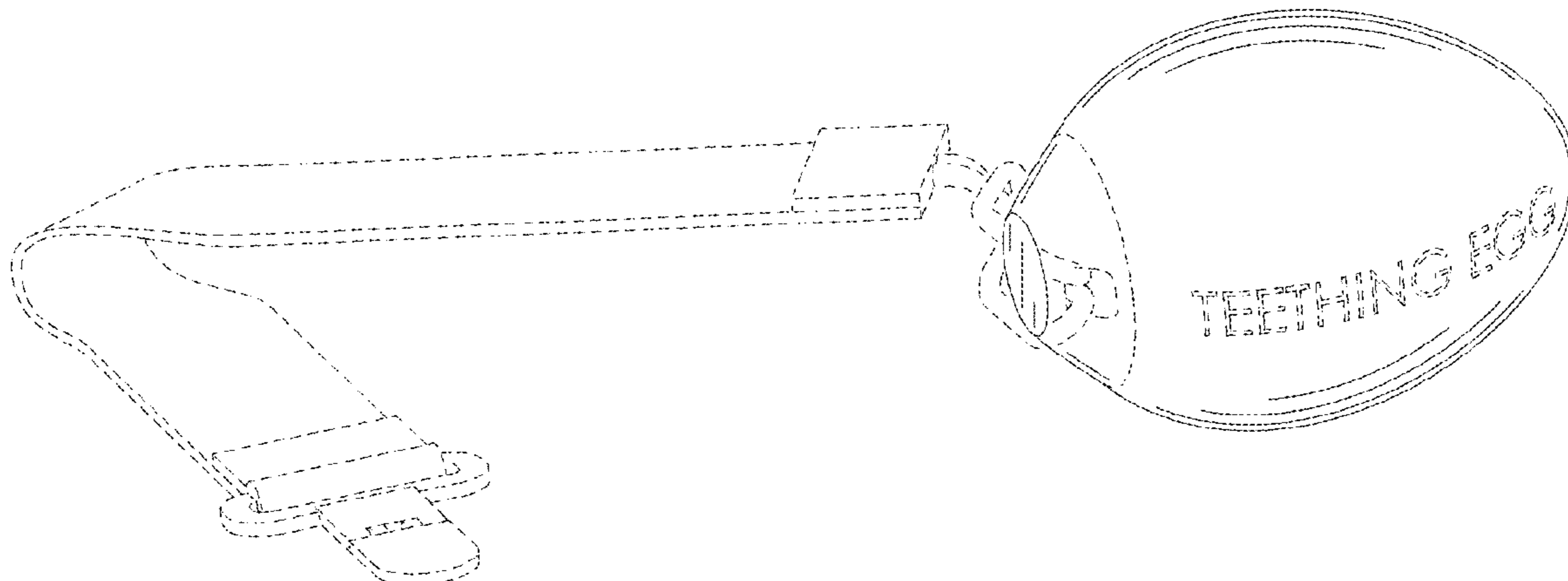
(57) **CLAIM**

The ornamental design for a teether, as shown and described.

DESCRIPTION

FIG. 1 is a top rear left perspective view of a teether showing our new design;
FIG. 2 is a right side elevation view thereof;
FIG. 3 is a left side elevation view thereof;
FIG. 4 is a top plan view thereof;
FIG. 5 is a rear elevation view thereof;
FIG. 6 is a bottom plan view thereof; and,
FIG. 7 is a front elevation view thereof.
The broken lines shown in the drawings illustrate portions of the teether that form no part of the claimed design.

1 Claim, 3 Drawing Sheets



(56)

References Cited

OTHER PUBLICATIONS

"Crayola: My First Crayola Scribbled Egg Crayons". Found online Apr. 18, 2017 at amazon.com. Page dated Apr. 3, 2014. Retrieved from https://www.amazon.com/Crayola-Scribbled-Crayons-Easy-Grip-1-Pack/dp/B00FY2P7KC/ref=cm_cr_ar_p_d_product_top?ie=UTF8.*

* cited by examiner

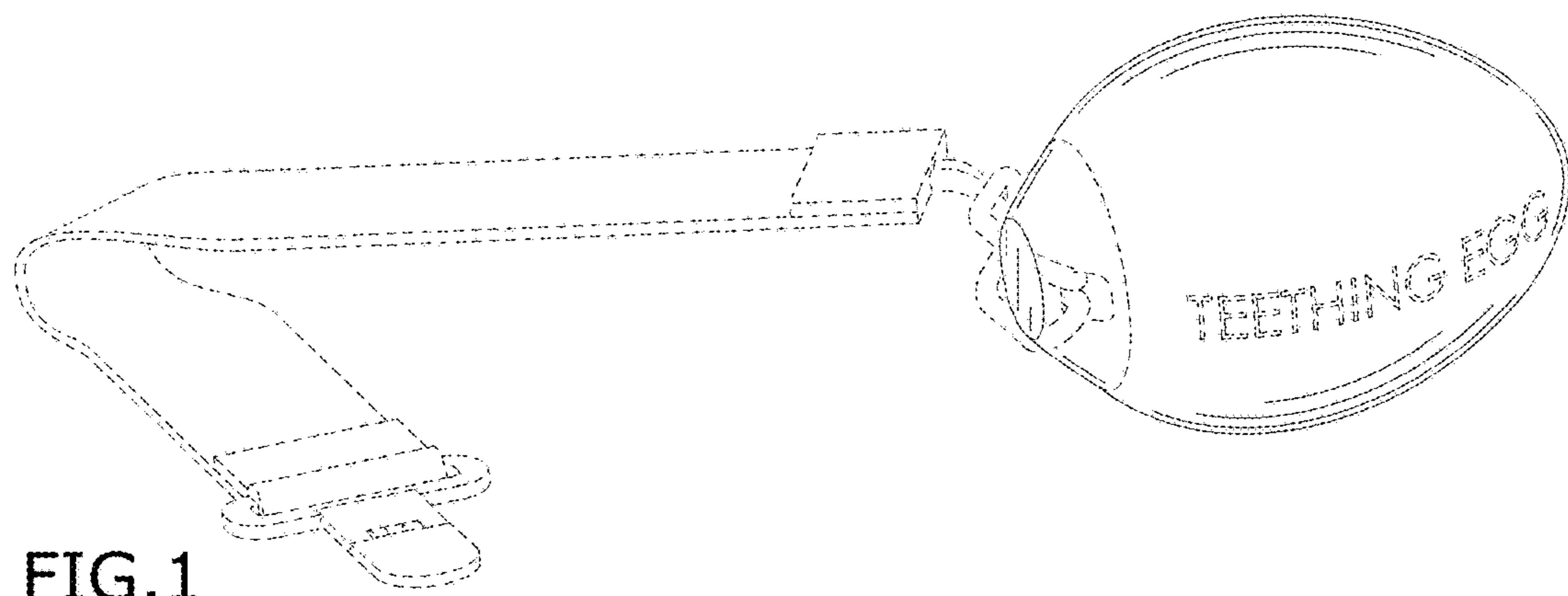


FIG. 1

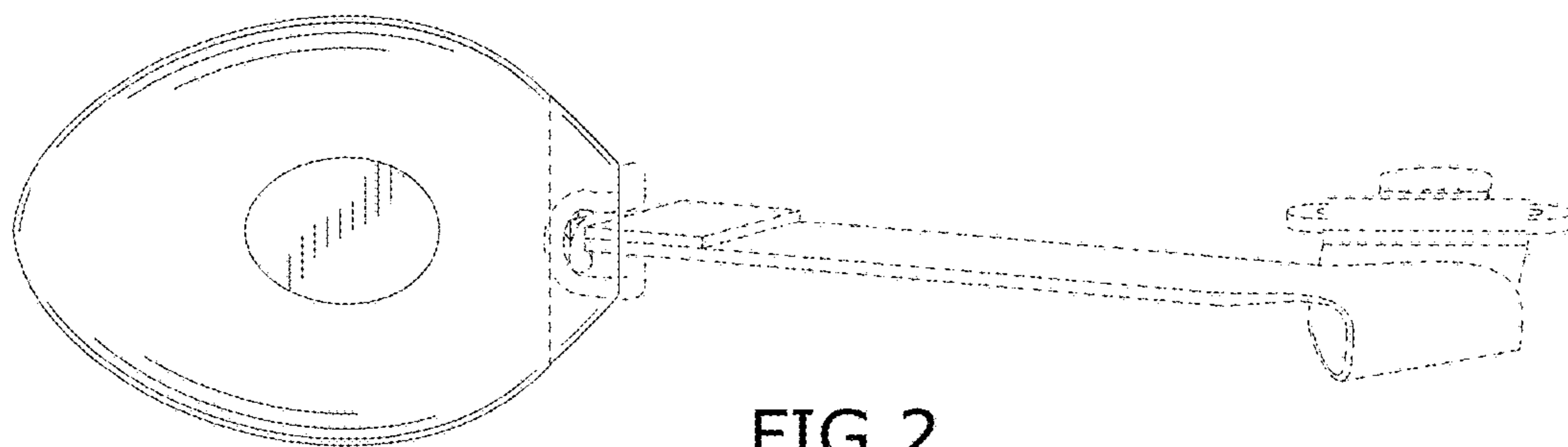


FIG. 2

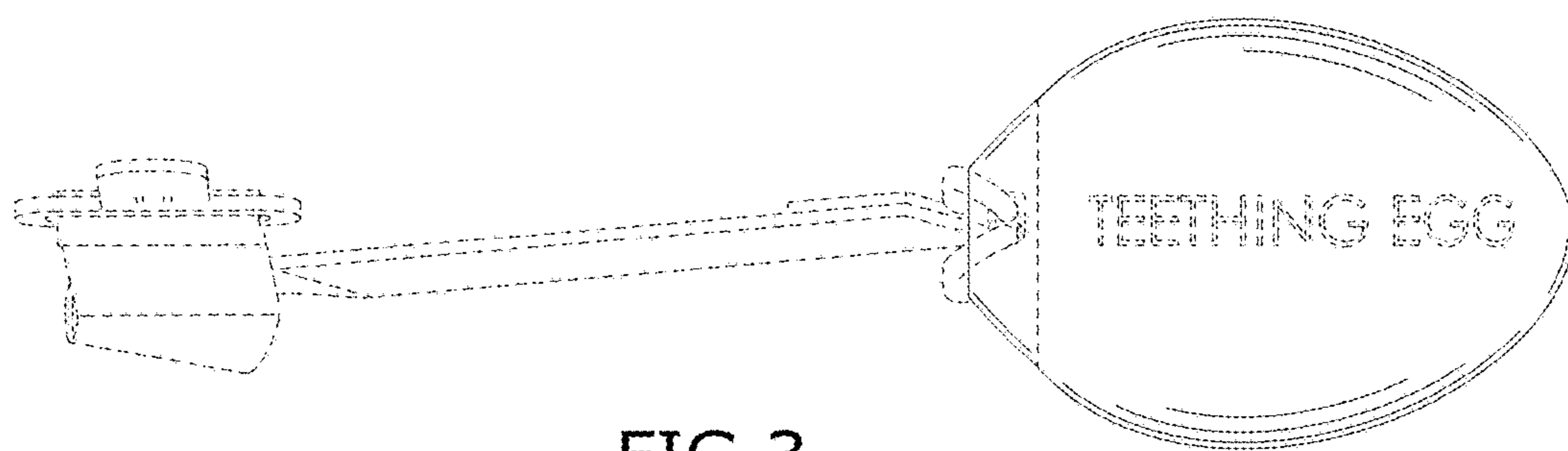


FIG. 3

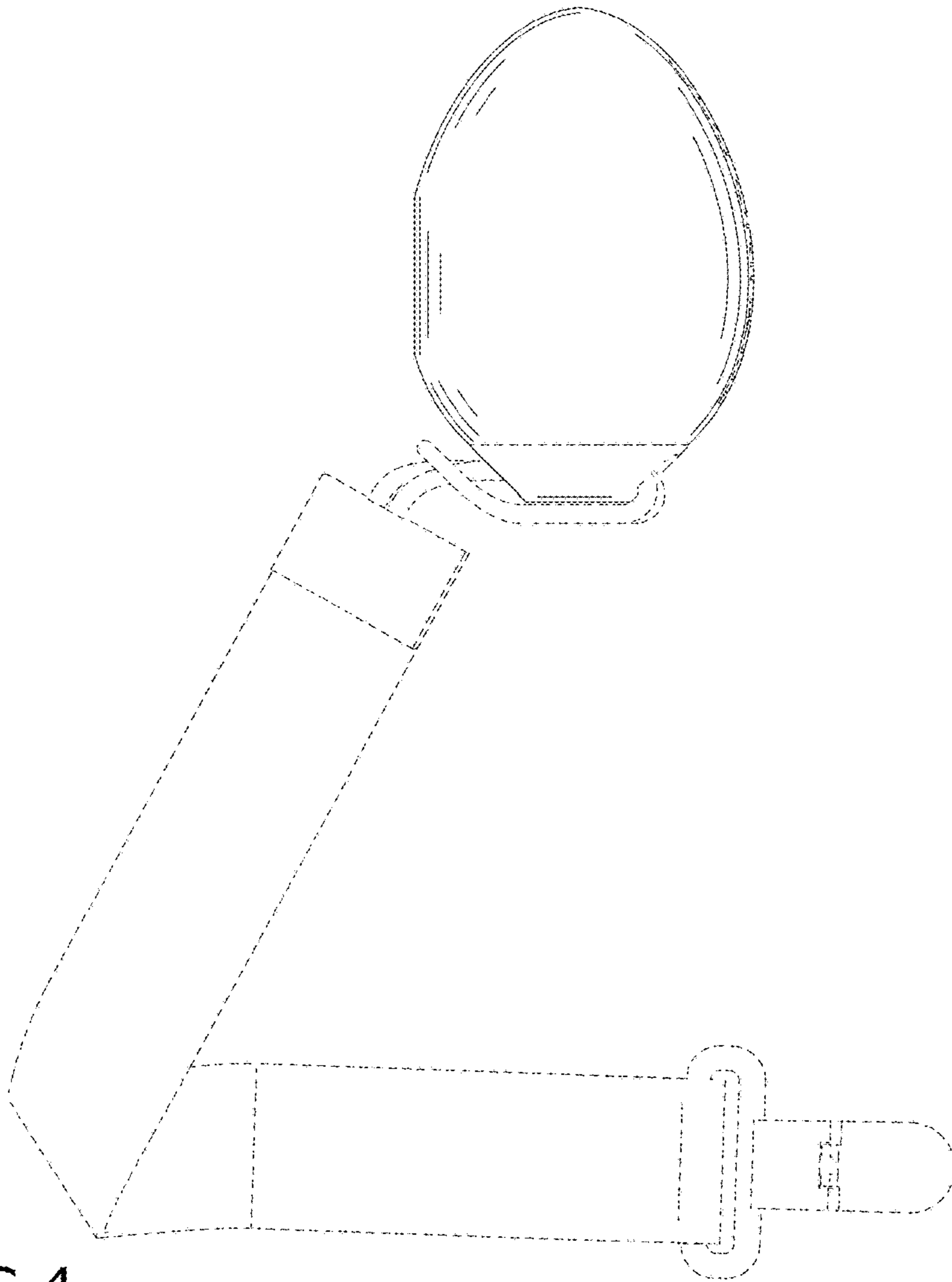


FIG. 4

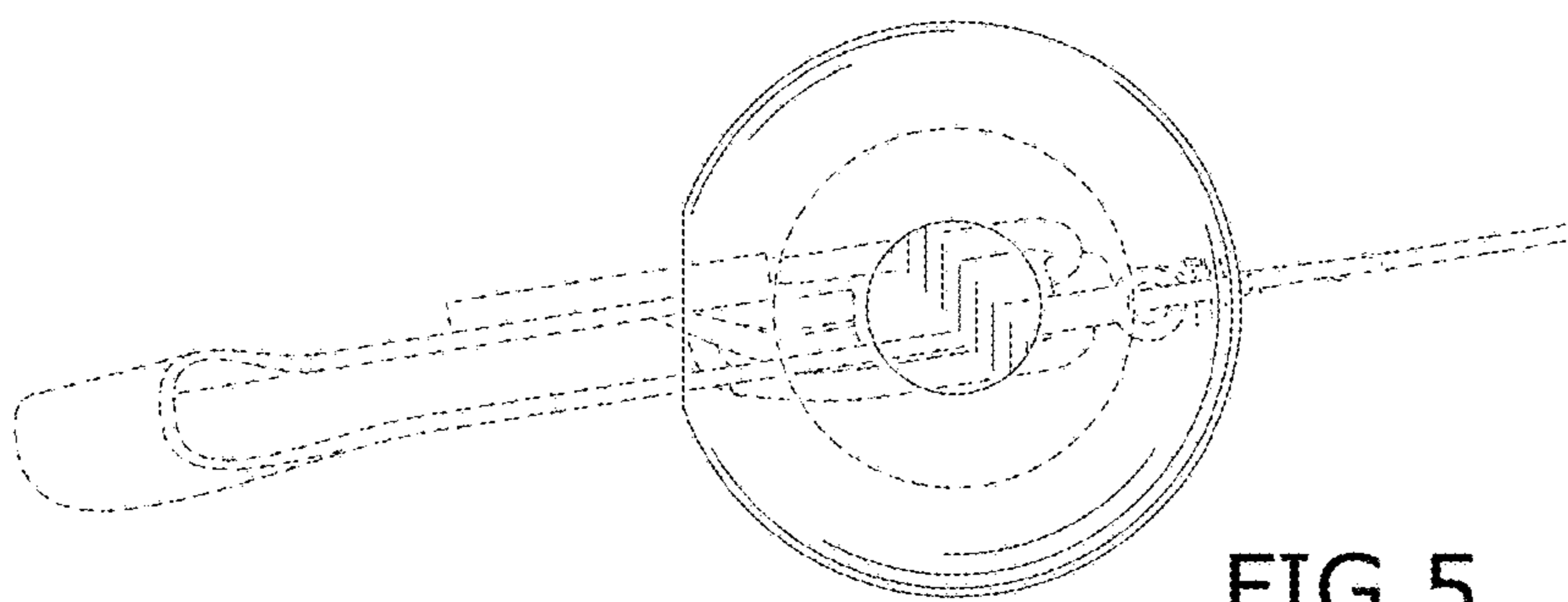


FIG. 5

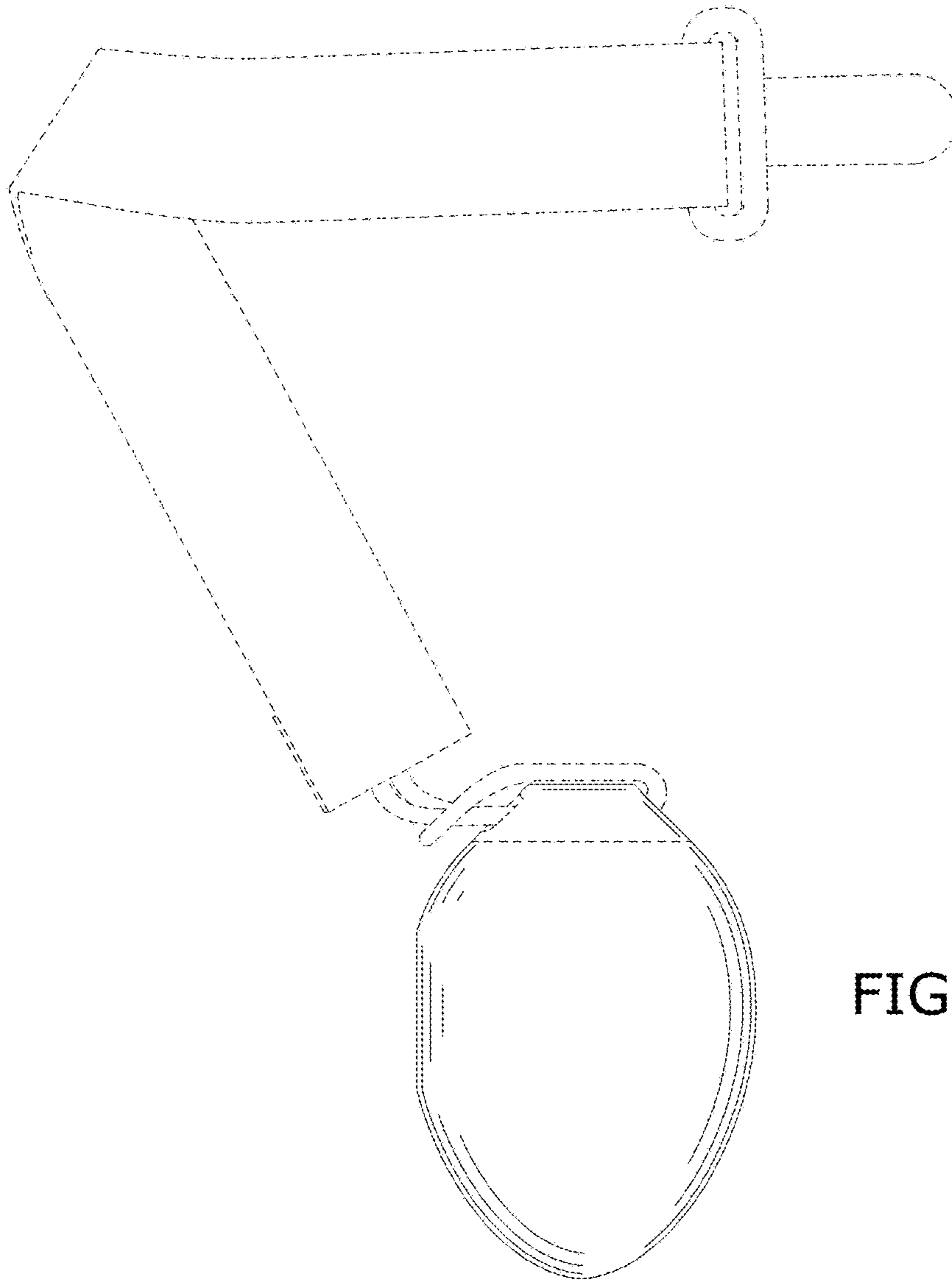


FIG. 6

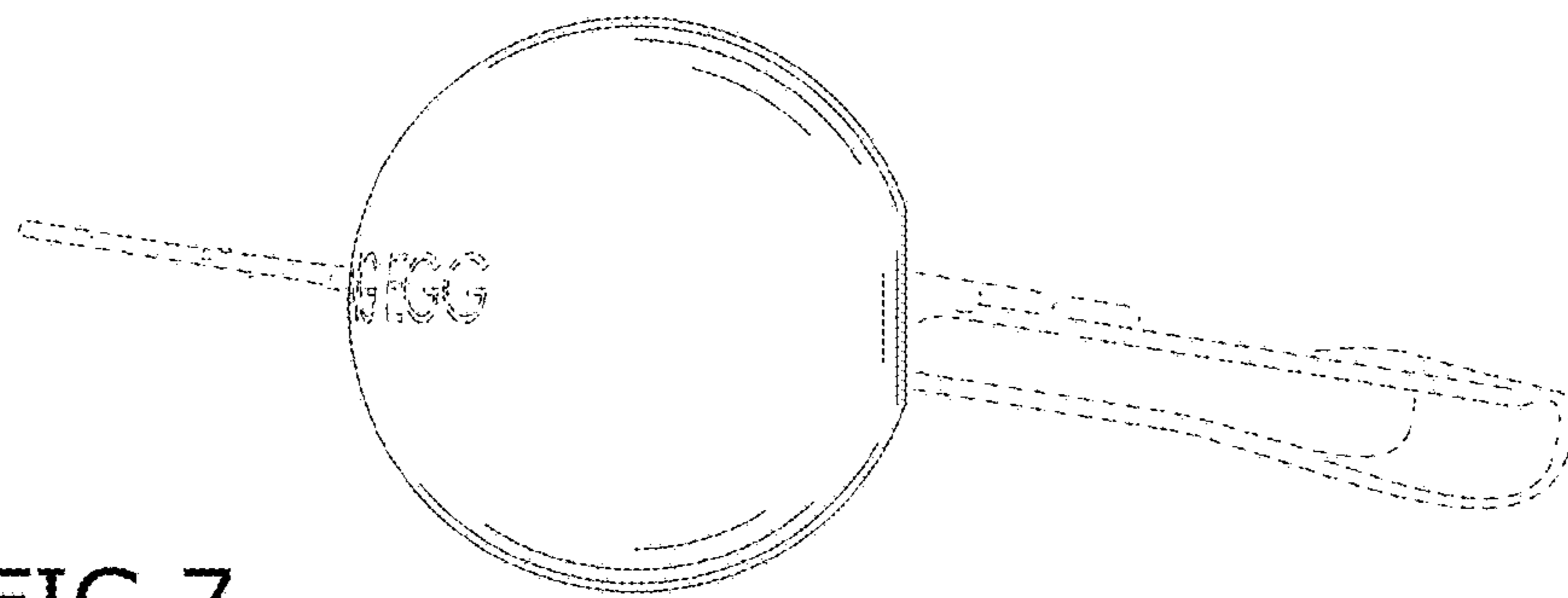


FIG. 7