



US00D817504S

(12) **United States Design Patent**
Float et al.

(10) **Patent No.:** **US D817,504 S**

(45) **Date of Patent:** **** May 8, 2018**

(54) **NECK COLLAR**

(71) Applicant: **Q30 Sports Science, LLC**, Westport, CT (US)

(72) Inventors: **Jamison Float**, Westport, CT (US); **Kevin Vititoe**, Westport, CT (US); **Sherry Jones**, Westport, CT (US); **James Lua**, Westport, CT (US); **Ryan Crisp**, Westport, CT (US); **Shannon Staats**, Westport, CT (US); **Dan Wisniewski**, Westport, CT (US); **Chris Cicenas**, Westport, CT (US)

(73) Assignee: **Q30 SPORTS SCIENCE, LLC**, Westport, CT (US)

(**) Term: **15 Years**

(21) Appl. No.: **29/584,796**

(22) Filed: **Nov. 17, 2016**

(51) **LOC (11) Cl.** **24-02**

(52) **U.S. Cl.**
USPC **D24/191**

(58) **Field of Classification Search**
USPC D24/190-193; D29/101.2, 120.1, 122, D29/124; D2/602, 604, 860, 861; 2/60, 2/98, 455-459, 460-468; 128/846; 601/39
CPC ... A61B 17/1325; A61B 5/021; A61B 5/6804; A61B 5/6822; A61B 17/135; A61H 99/00; A63B 71/1291; A41D 13/0512; A41D 13/015; A42B 3/0473; Y10S 128/23
See application file for complete search history.

(56) **References Cited**

U.S. PATENT DOCUMENTS

D369,660 S * 5/1996 Myoga D24/191
D419,267 S * 1/2000 Hartunian D24/191

D475,139 S * 5/2003 Myoga D24/191
6,854,134 B2 * 2/2005 Cleveland A42B 3/0473
2/422
D555,836 S * 11/2007 Foust D29/101.2
D653,018 S * 1/2012 Webbe D2/602
D747,560 S * 1/2016 Daniels D29/122
D763,518 S * 8/2016 Fletcher D29/112
2016/0044981 A1 * 2/2016 Frank A42B 1/22
2/422
2017/0042479 A1 * 2/2017 Shimuta A61B 5/0245
2017/0215769 A1 * 8/2017 Lu A61B 5/1116
434/247
2017/0215795 A1 * 8/2017 Ahmad A61B 5/681
600/532

* cited by examiner

Primary Examiner — Garth Rademaker

Assistant Examiner — Samantha Q. Lawrence

(74) *Attorney, Agent, or Firm* — One LLP

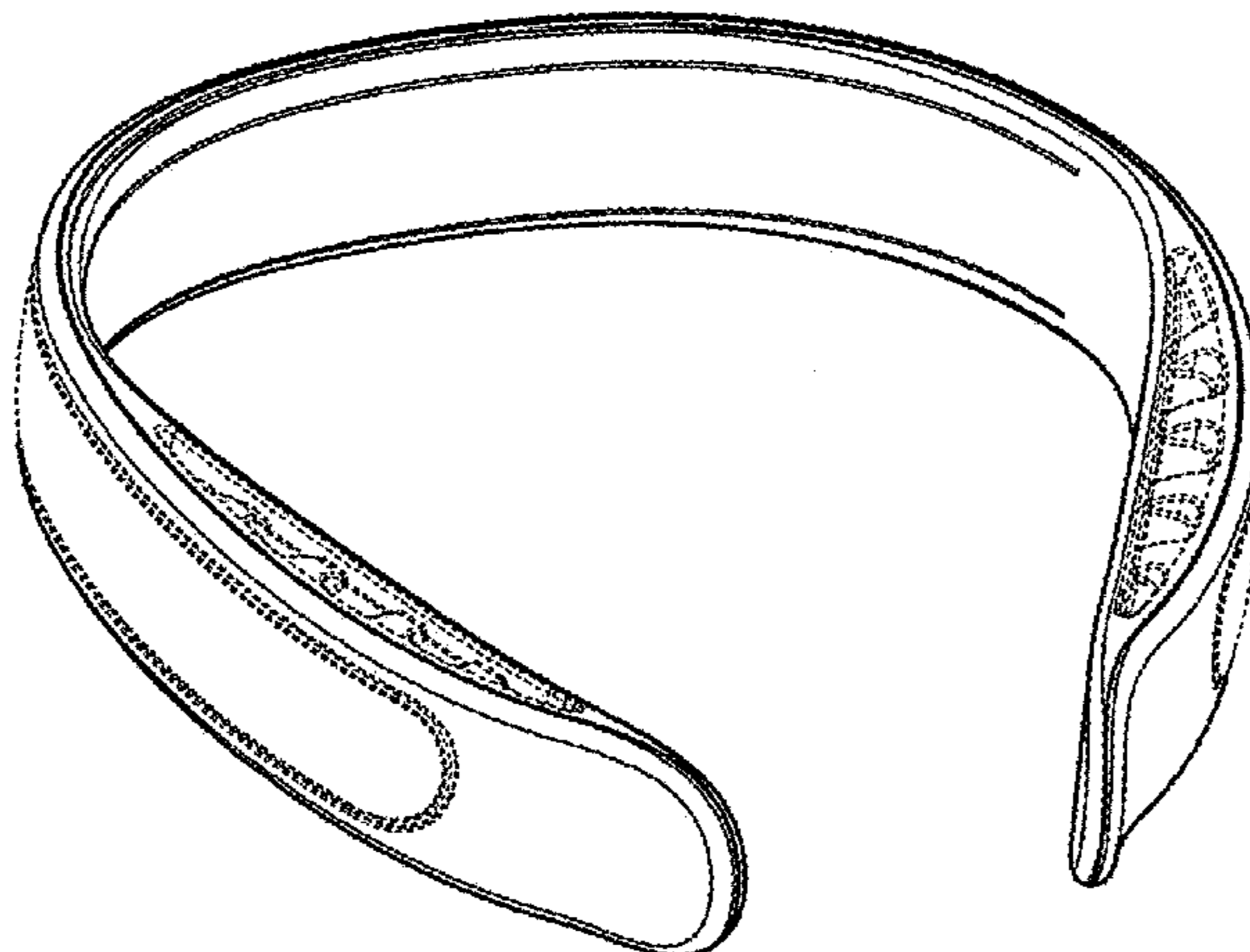
(57) **CLAIM**

We claim the ornamental design for a neck collar, as shown and described.

DESCRIPTION

FIG. 1 is a perspective view of a neck collar in accordance with the design;
FIG. 2 is a front elevation view of the neck collar of FIG. 1;
FIG. 3 is a rear elevation view of the neck collar of FIG. 1;
FIG. 4 is left side elevation view of the neck collar of FIG. 1;
FIG. 5 is a right side elevation view of the neck collar of FIG. 1;
FIG. 6 is a top plan view of the neck collar of FIG. 1; and,
FIG. 7 is a bottom plan view of the neck collar of FIG. 1.
The broken lines shown in FIGS. 1-7 illustrate portions of the neck collar that form no part of the claimed design.

1 Claim, 5 Drawing Sheets



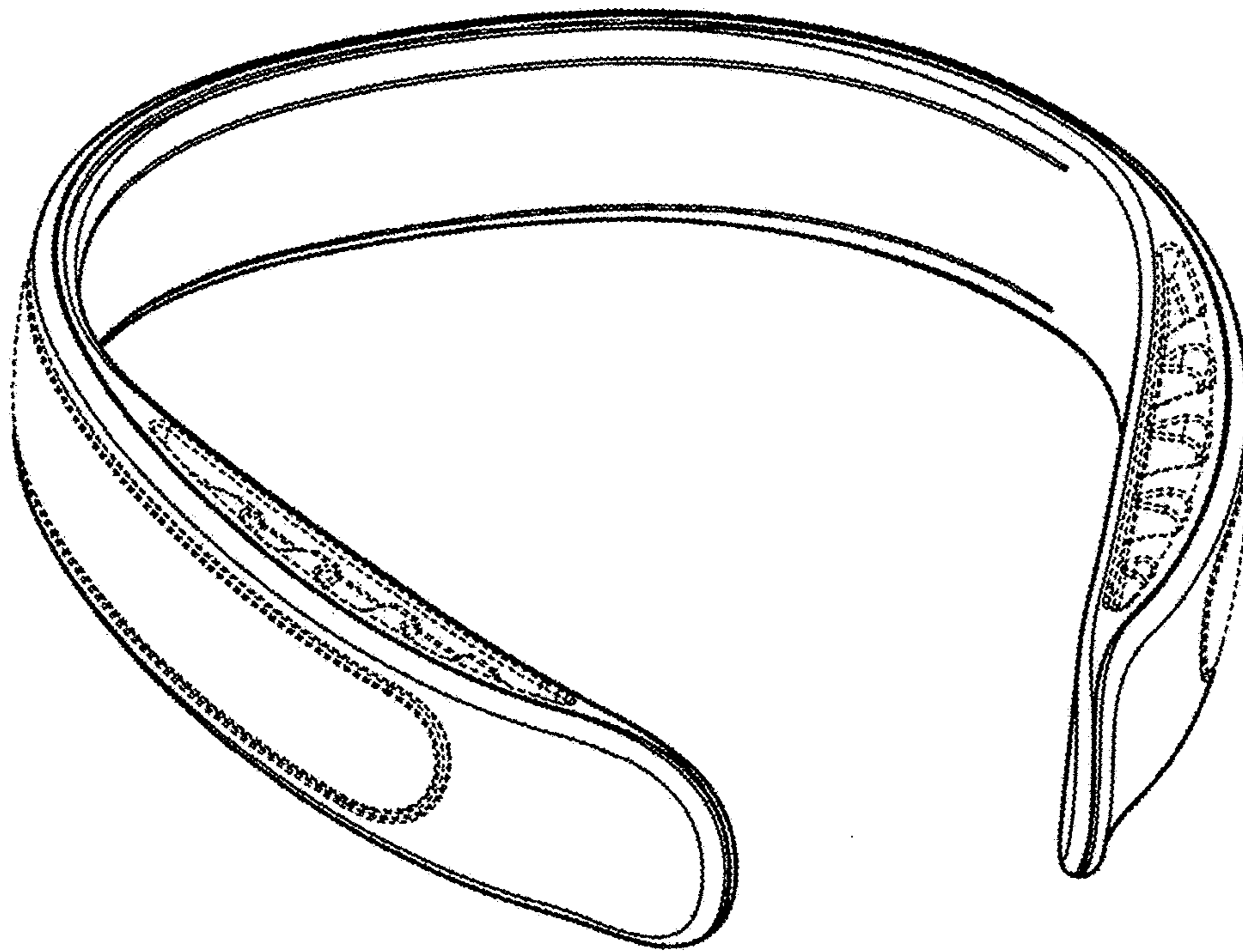


FIG. 1

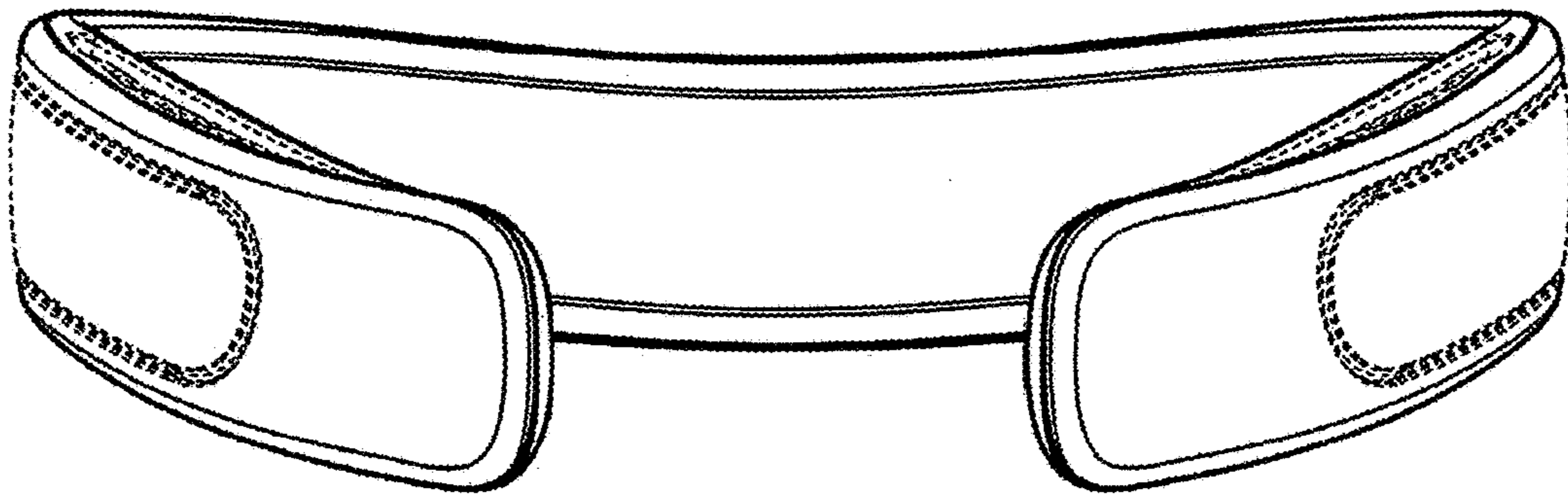


FIG. 2

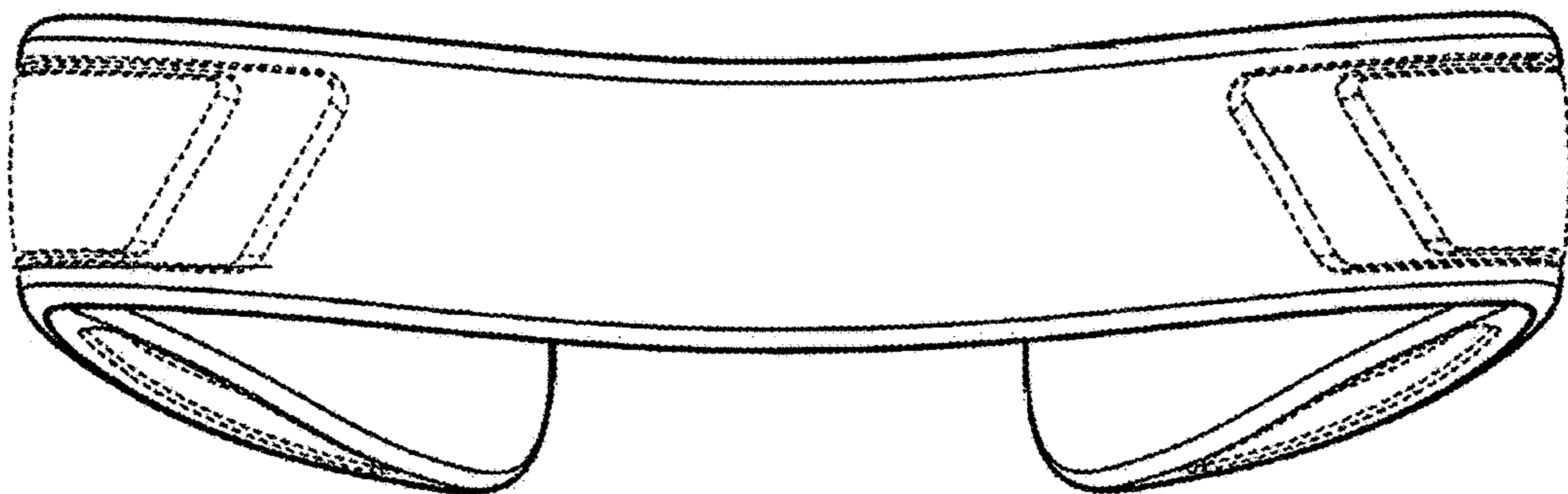


FIG. 3

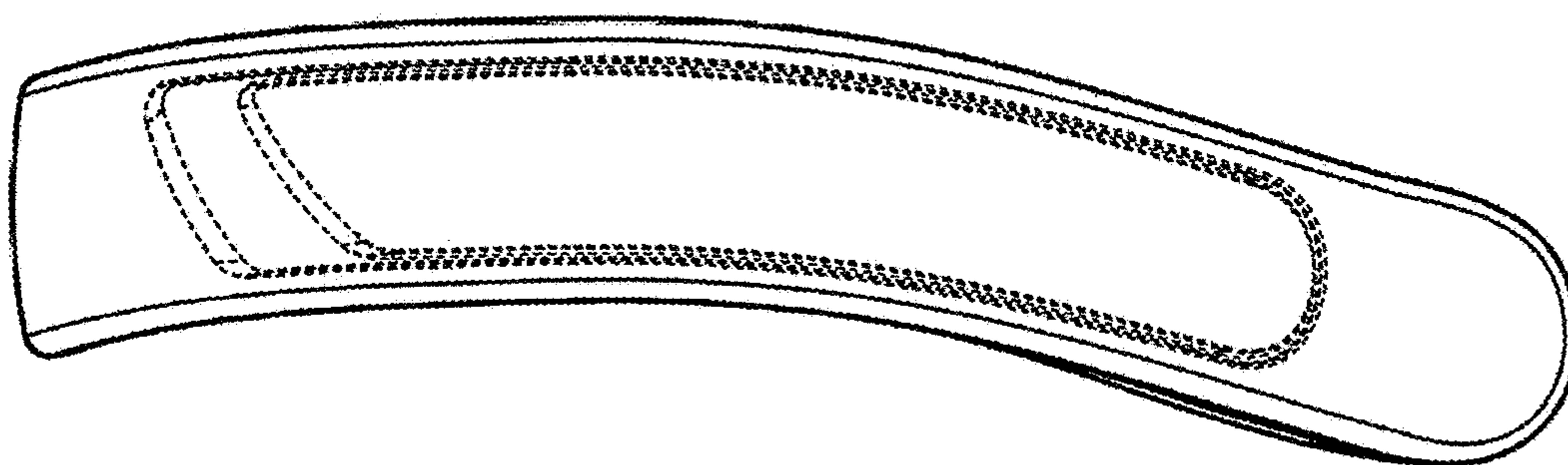


FIG. 4

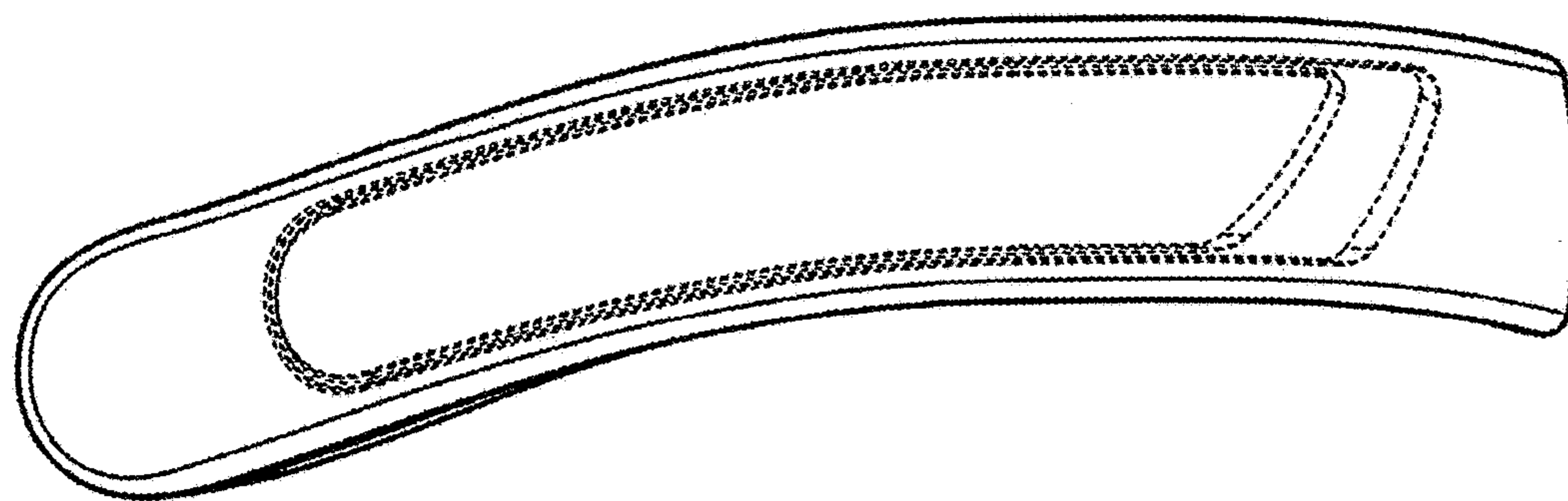


FIG. 5

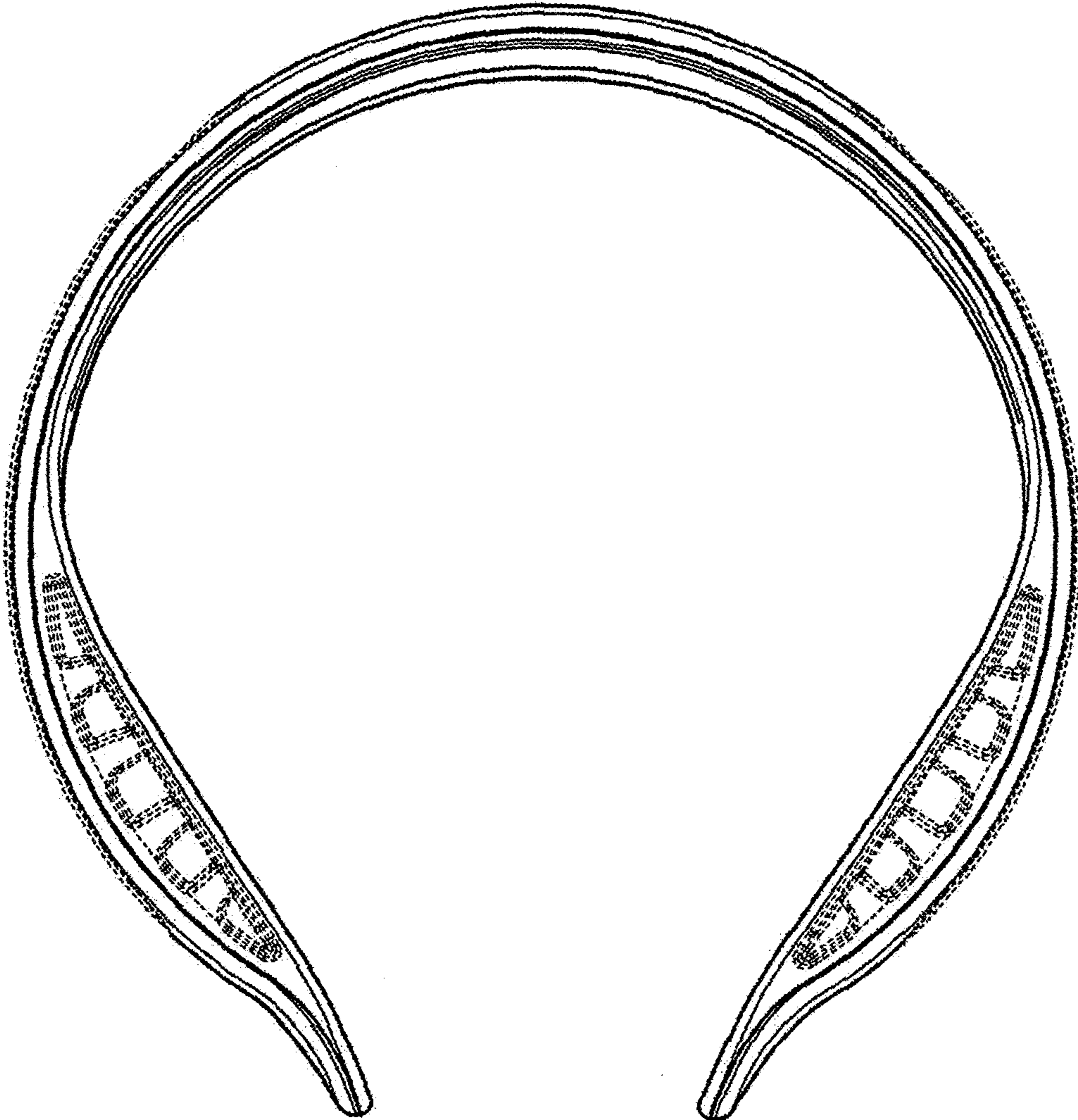


FIG. 6

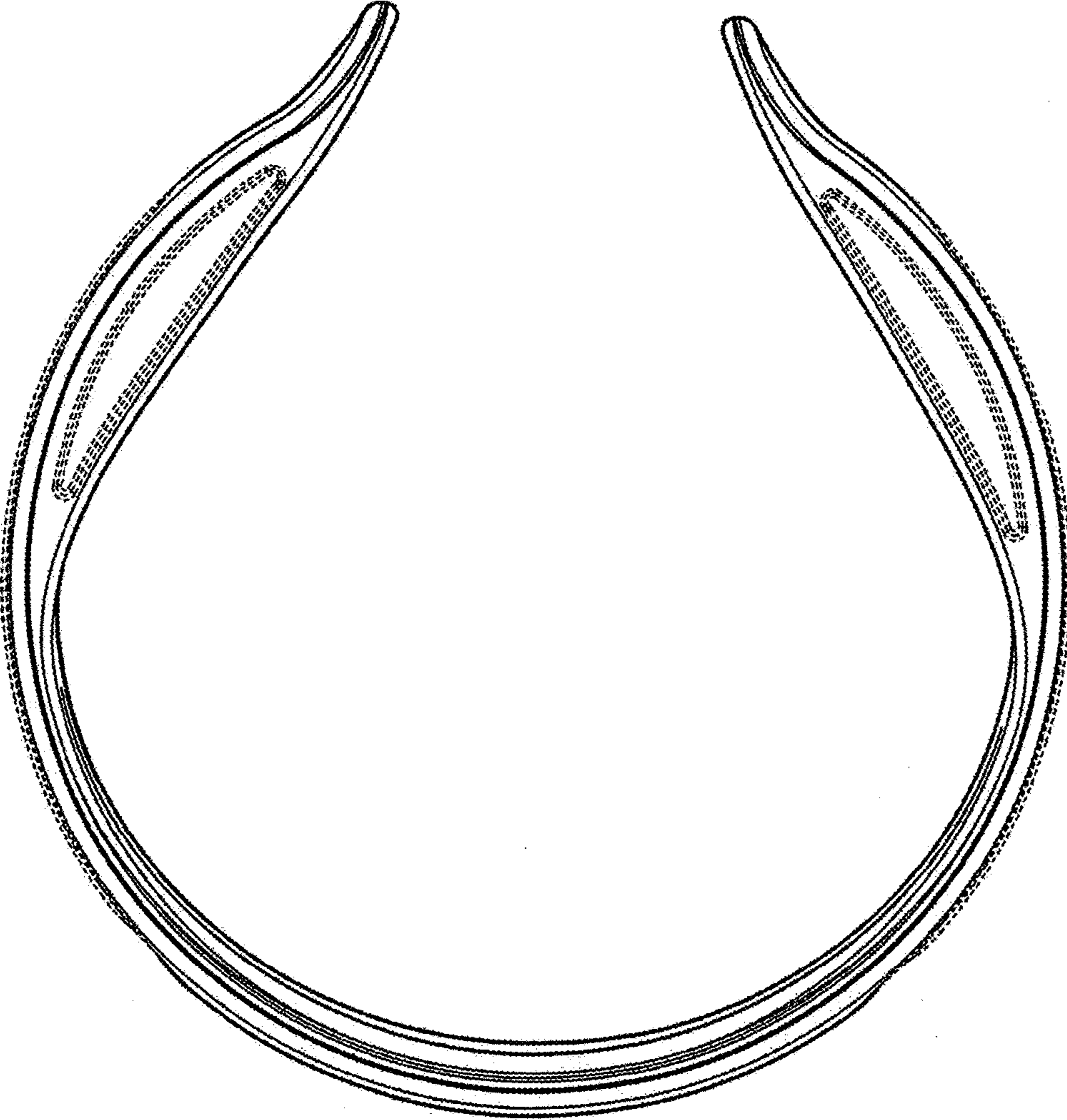


FIG. 7