



US00D817498S

(12) **United States Design Patent**
Ku

(10) **Patent No.:** **US D817,498 S**

(45) **Date of Patent:** **** May 8, 2018**

(54) **UREA LEVEL SENSOR**

(71) Applicant: **Dongguan Zhengyang Electronic Mechanical Co., Ltd.**, Dongguan (CN)

(72) Inventor: **Yi-Hsin Ku**, Dongguan (CN)

(73) Assignee: **Dongguan Zhengyang Electronic Mechanical Co., Ltd.**, Dongguan (CN)

(**) Term: **15 Years**

(21) Appl. No.: **29/591,687**

(22) Filed: **Jan. 23, 2017**

(30) **Foreign Application Priority Data**

Jul. 27, 2016 (CN) 2016 3 0348698

(51) **LOC (11) Cl.** **24-01**

(52) **U.S. Cl.**
USPC **D24/169**; D10/81; D10/101; D24/129;
D24/186; D24/216

(58) **Field of Classification Search**

USPC D10/81, 96, 101; D24/129, 169, 186,
D24/216, 219, 232, 233, 234
CPC C12Q 1/00; Y10S 435/817; G01N 33/487;
G01N 33/483; G01N 33/4833; G01N
33/48742; G01N 33/493; G01N 33/50;
G01N 33/5002; G01N 33/54366; G01N
2201/022; G01N 27/44756; G01N 27/62;
G01N 27/622; G01N 29/22

See application file for complete search history.

(56) **References Cited**

U.S. PATENT DOCUMENTS

D611,859 S * 3/2010 Gismervik D10/101
D611,860 S * 3/2010 Gismervik D10/101

D625,346 S * 10/2010 Drenth D15/138
D748,250 S * 1/2016 Ku D24/129
D748,251 S * 1/2016 Ku D24/129
D750,237 S * 2/2016 Ku D24/129
D750,238 S * 2/2016 Ku D24/129
9,297,686 B1 * 3/2016 Ross, Jr. G01F 23/292
D759,809 S * 6/2016 Ku D24/129
D759,810 S * 6/2016 Ku D24/129
D767,125 S * 9/2016 Ku D24/129
D775,541 S * 1/2017 Ku D10/101

* cited by examiner

Primary Examiner — Antoine Duval Davis

(74) *Attorney, Agent, or Firm* — Taft Stettinius & Hollister LLP

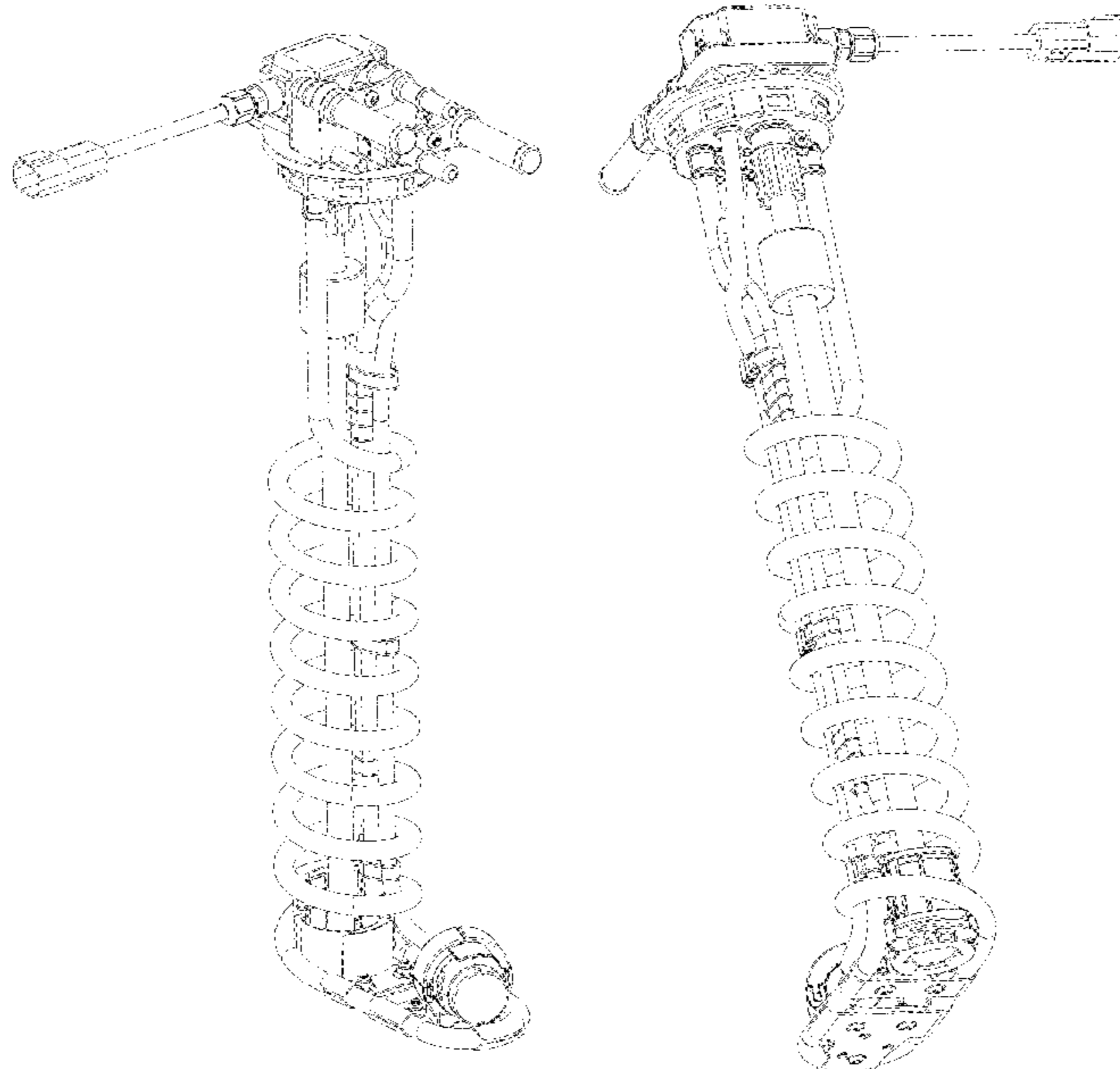
(57) **CLAIM**

The ornamental design for a urea level sensor, as shown and described.

DESCRIPTION

FIG. 1 is a left, front perspective view of a urea level sensor according to my new design;
FIG. 2 is a front elevation view thereof;
FIG. 3 is a rear elevation view thereof;
FIG. 4 is a left side elevation view thereof;
FIG. 5 is a right side elevation view thereof;
FIG. 6 is a top plan view thereof;
FIG. 7 is a bottom plan view thereof; and,
FIG. 8 is a right, rear perspective view thereof.

1 Claim, 8 Drawing Sheets



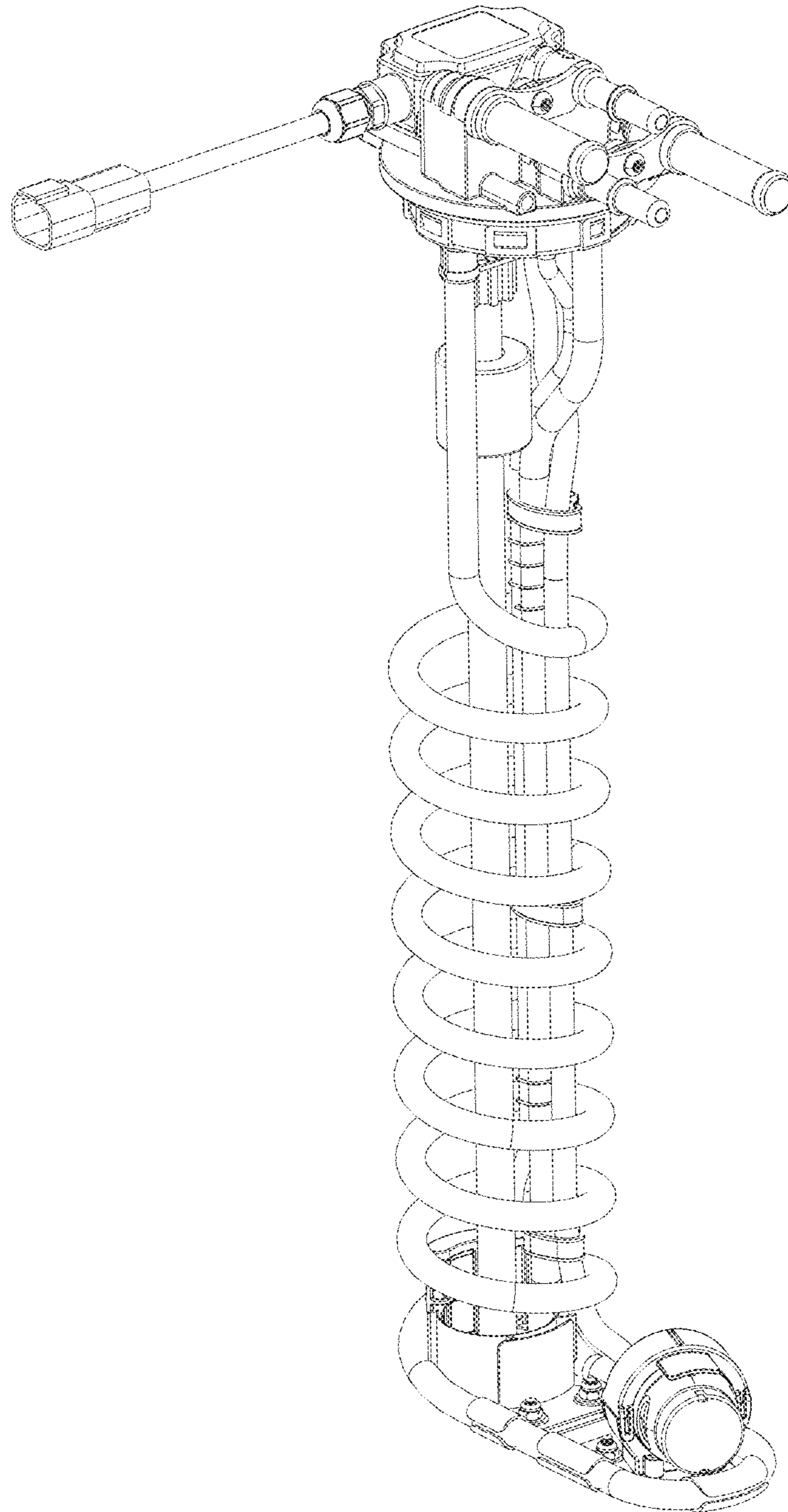


FIG. 1

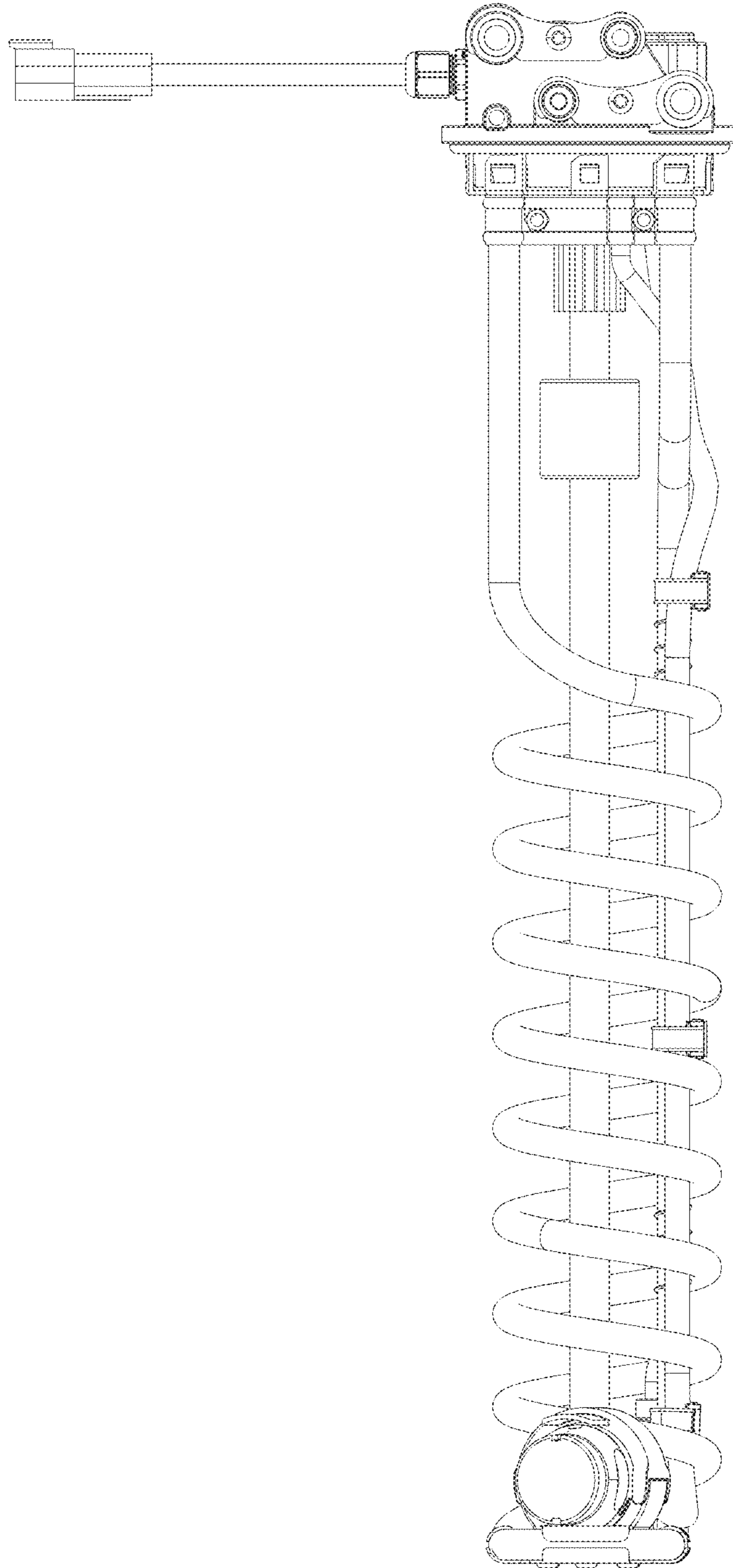


FIG. 2

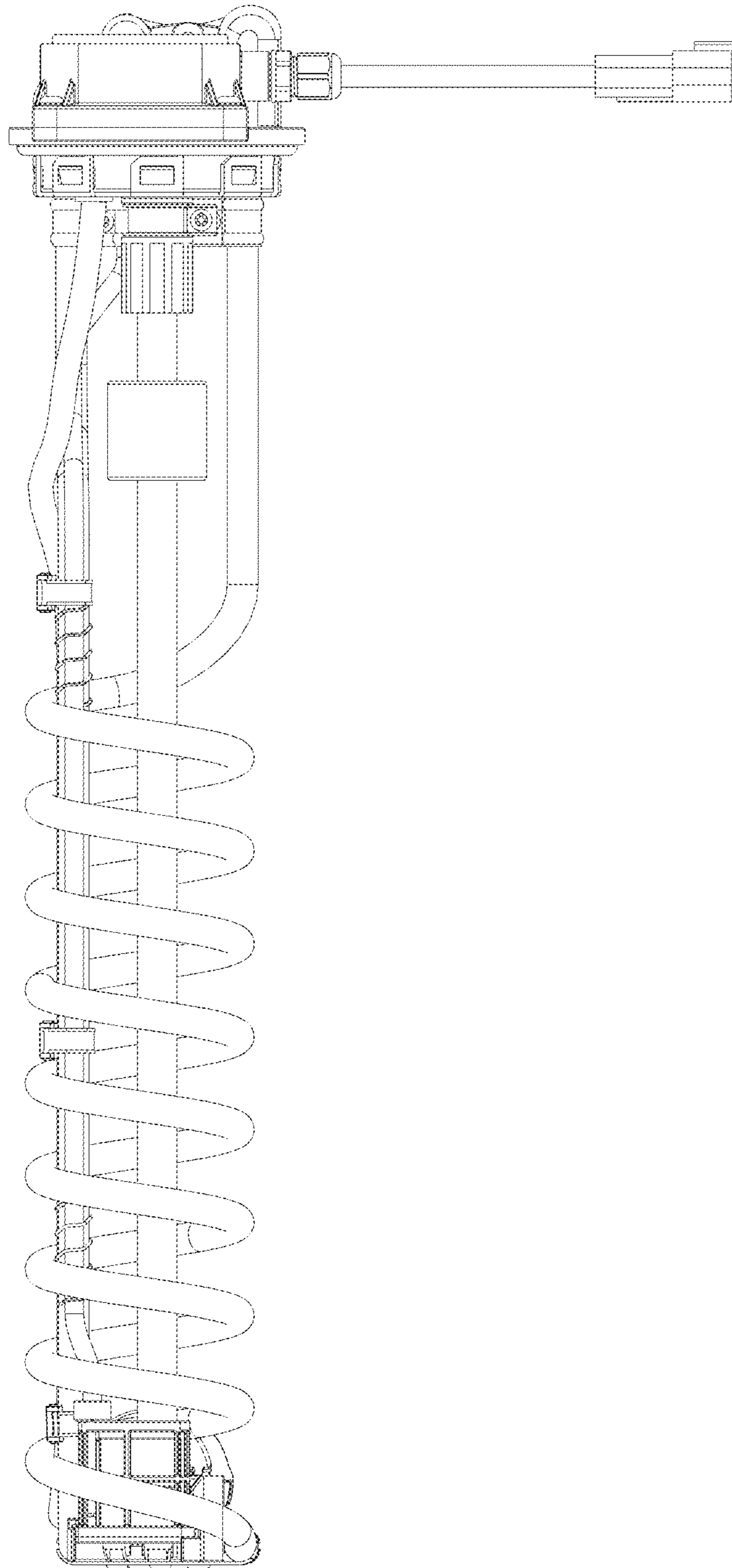


FIG. 3

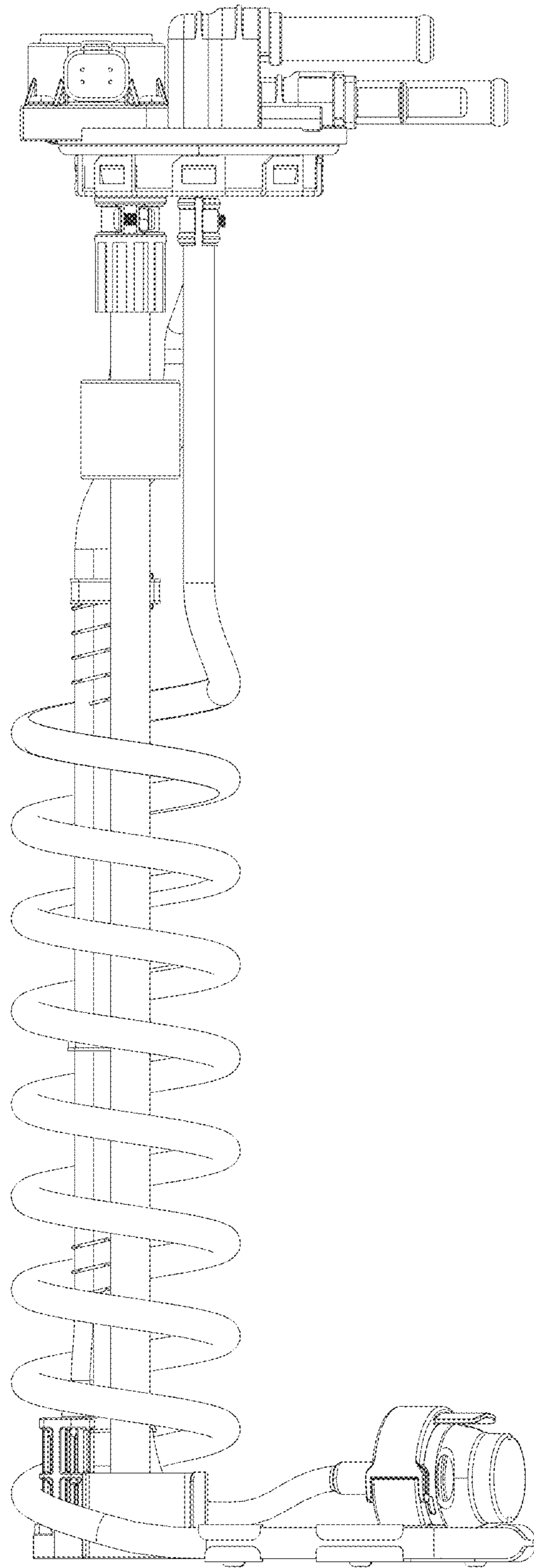


FIG. 4

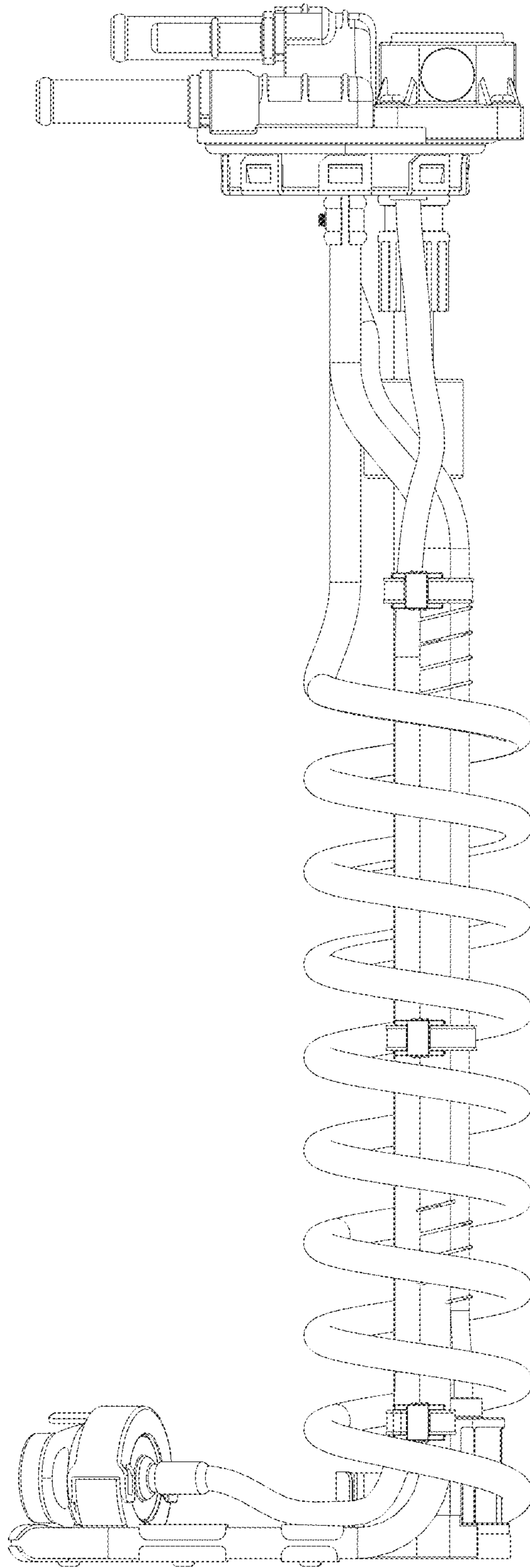


FIG. 5

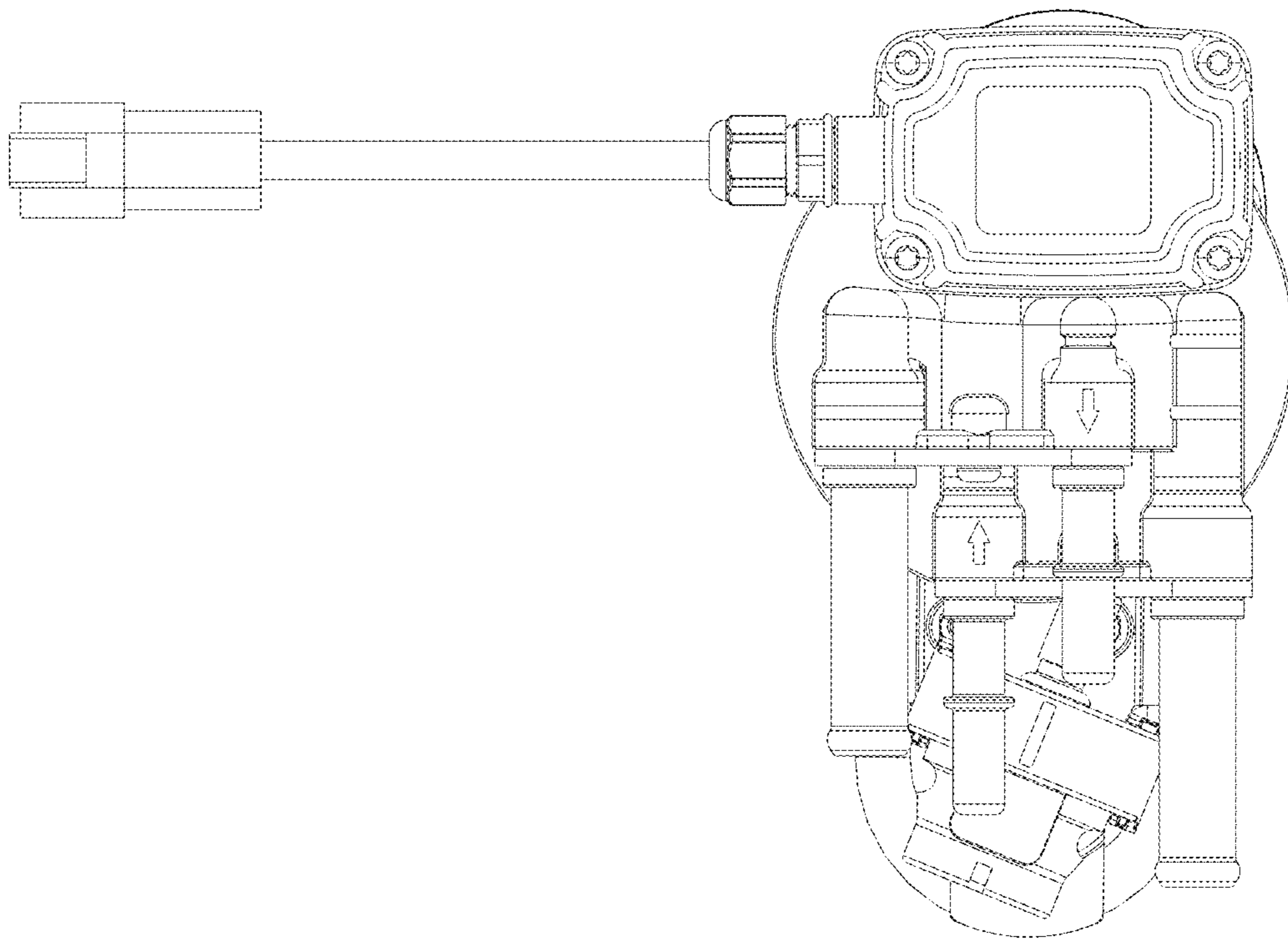


FIG. 6

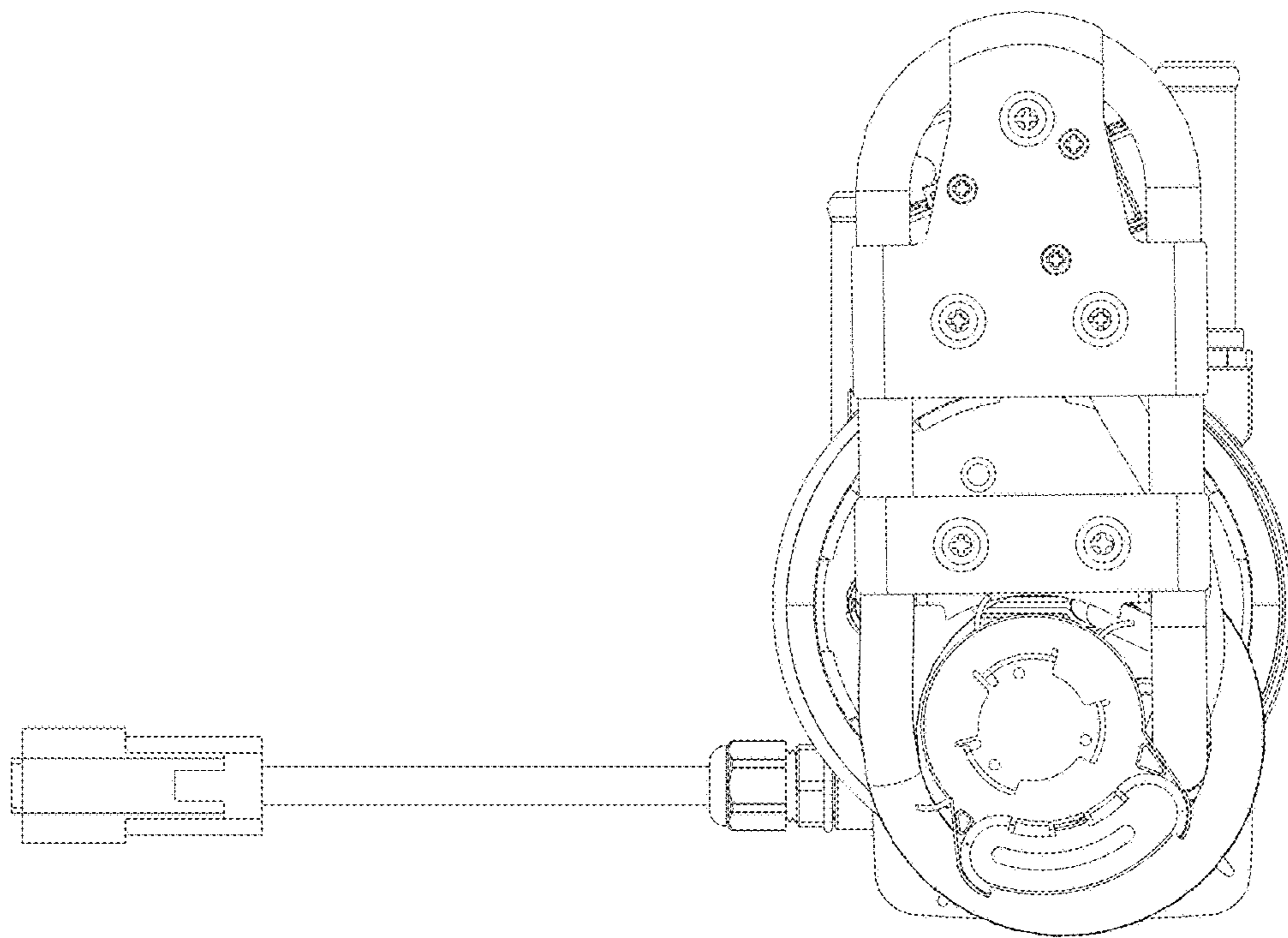


FIG. 7

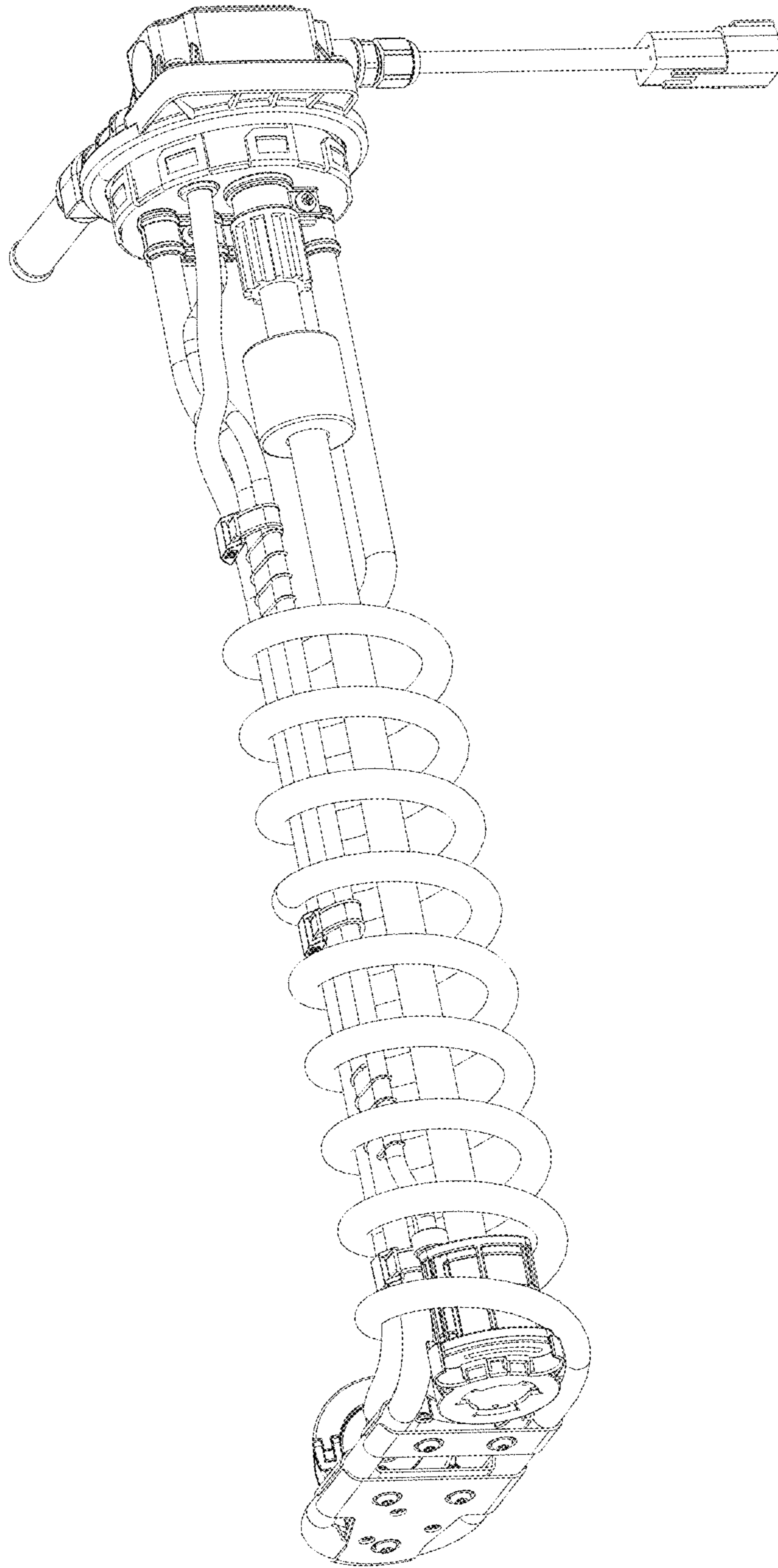


FIG. 8